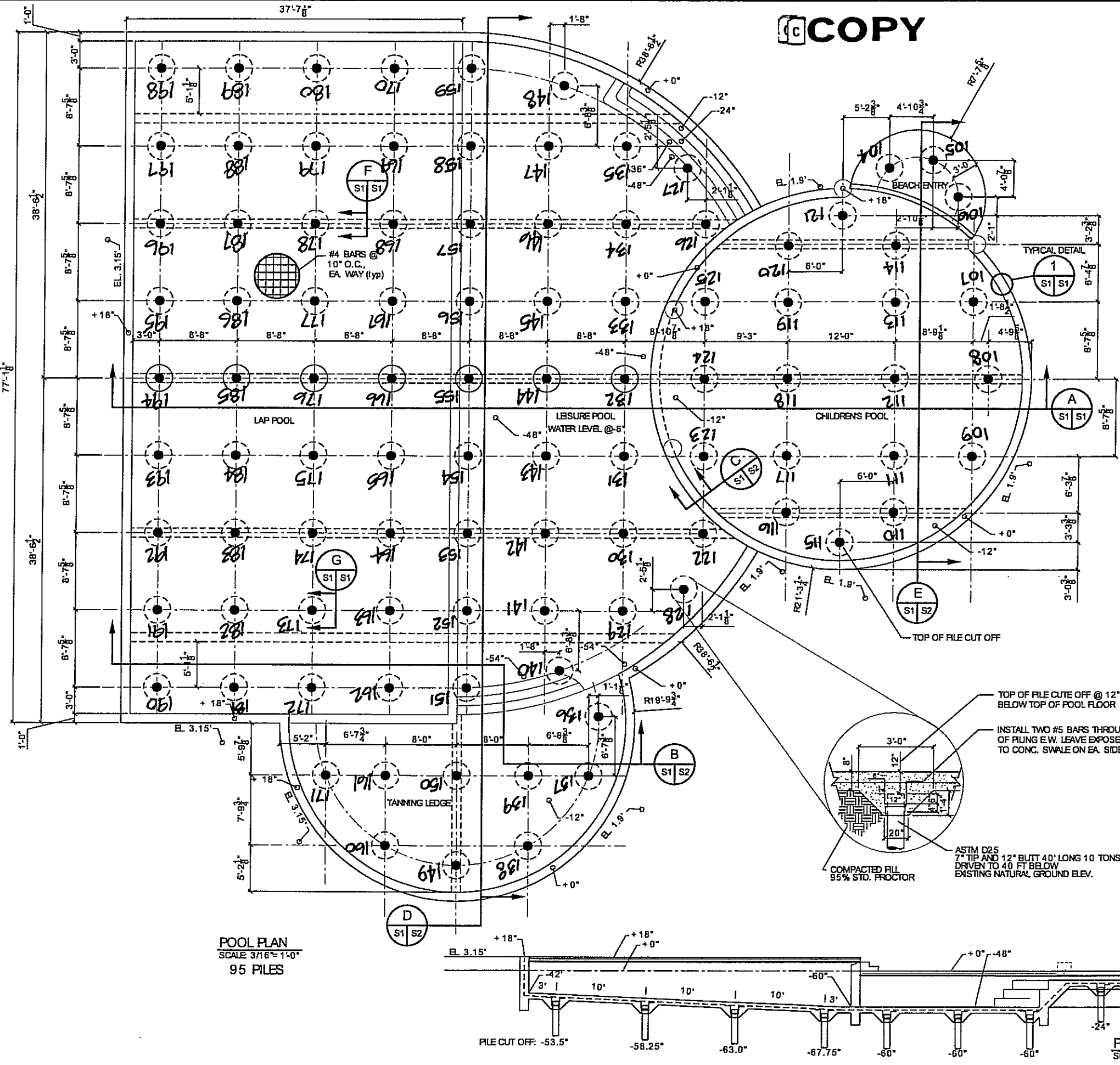
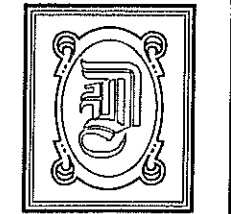
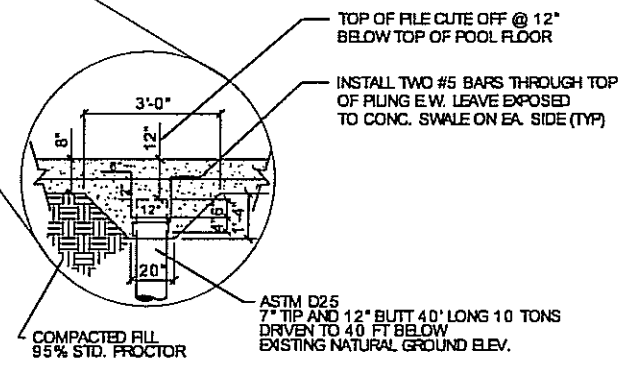
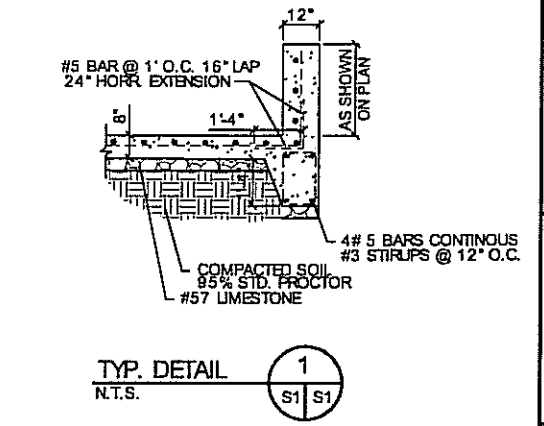
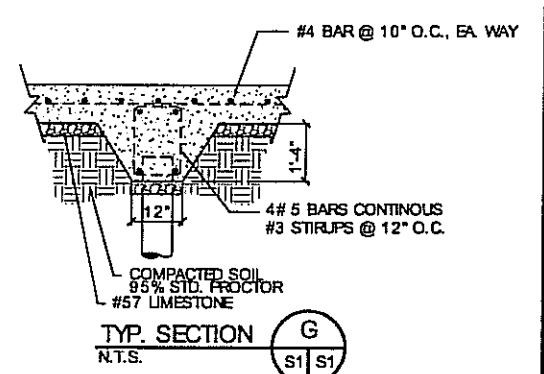
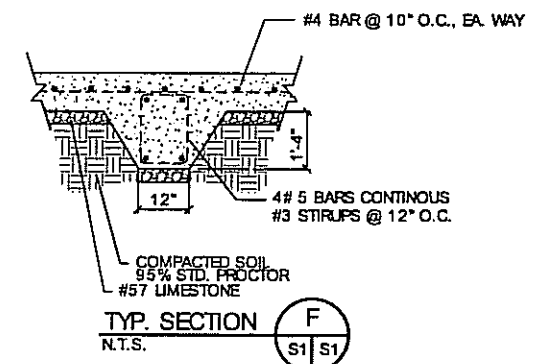


VLMK
COPY



- NOTES:**
- CONTRACTOR SHALL FIELD VERIFY ALL DIMENSIONS & DEPRESSIONS PRIOR TO COMMENCING WORK
 - PILE DATA FROM EJTIS ENGINEERING SOILS STUDY DATED 25 NOV., 2008
 - USE TREATED SMALL TIMBER PILES, 4" LONG 10 TON CAPACITY. DRIVEN TO 40 FT BELOW EXISTING NATURAL GROUND ELEV.
 - NO FIELD SUPERVISION OR INSPECTION PROVIDED UNDER THIS SEAL UNLESS NOTED OTHERWISE
 - PILE LAYOUT MAY BE MODIFIED DUE TO ACTUAL DRIVING CONDITIONS. ENGINEER TO BE NOTIFIED ON ANY OTHER MODIFICATION
 - A PILE BLOW COUNT LOG OF ALL PILES IS TO BE SUBMITTED TO THE ENGINEER OF RECORD.
 - CONTRACTOR IS RESPONSIBLE FOR THE COMPARISON AND VERIFICATION OF PILE LAYOUT DIMENSIONS WITH MOST RECENT EQUIPMENT DRAWINGS, ASSURING THAT PILES DO FALL WITHIN LIMITS OF THE DESIGN.
 - ALL WATER (RAIN, RISING WATER, ETC.) SHALL BE DIRECTED AWAY FROM THE FOUNDATIONS DURING PREPARATION, PLACING AND CURING OF SAME POSITIVE DRAINAGE MUST BE MAINTAINED AT ALL TIMES.
 - SEE "EJTIS ENGINEERING" SOIL ANALYSIS AND FOLLOW RECOMMENDATIONS OF STUDY.
 - MONITOR VIBRATIONS AT NEARBY BUILDINGS.



DAMMON ENGINEERING, INC

CHIEF ENGINEER
 EMMETT DAMMON, P.E.

CHIEF ARCHITECT
 ROBERT WILTSE

1095 FLORIDA AVENUE
 SUDELL, LA. 70458
 OFFICE: 985-649-5832
 FAX: 985-641-5950

WEBSITE:
 WWW.DAMMONENGINEERING.COM
 EMAIL:
 DAMMONENG@BELLSOUTH.NET

ARCHITECTURE
 ENGINEERING
 STUDIES
 PLANNING
 INVESTIGATION
 EXPERT WITNESS

ROTOLO CONSULTANTS, INC
 894 ROBERT BLVD
 SLIDELL, LA

YMCA POOL
 LOWER PLAQUEMINE
 BELLE CHASSE
 LOUISIANA

POOL PLAN & SECTION

REV: 5-18-10

SCALE AS NOTED

JOB#: 2061

DATE 5-18-10

SHEET 1

S-1

OF 2