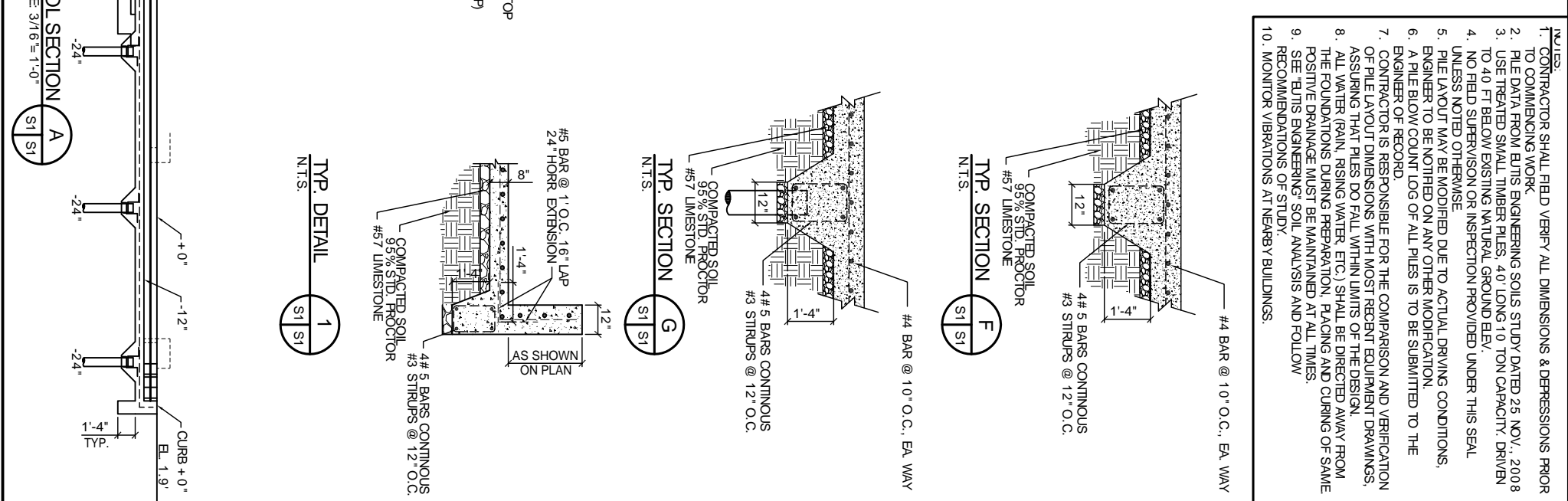
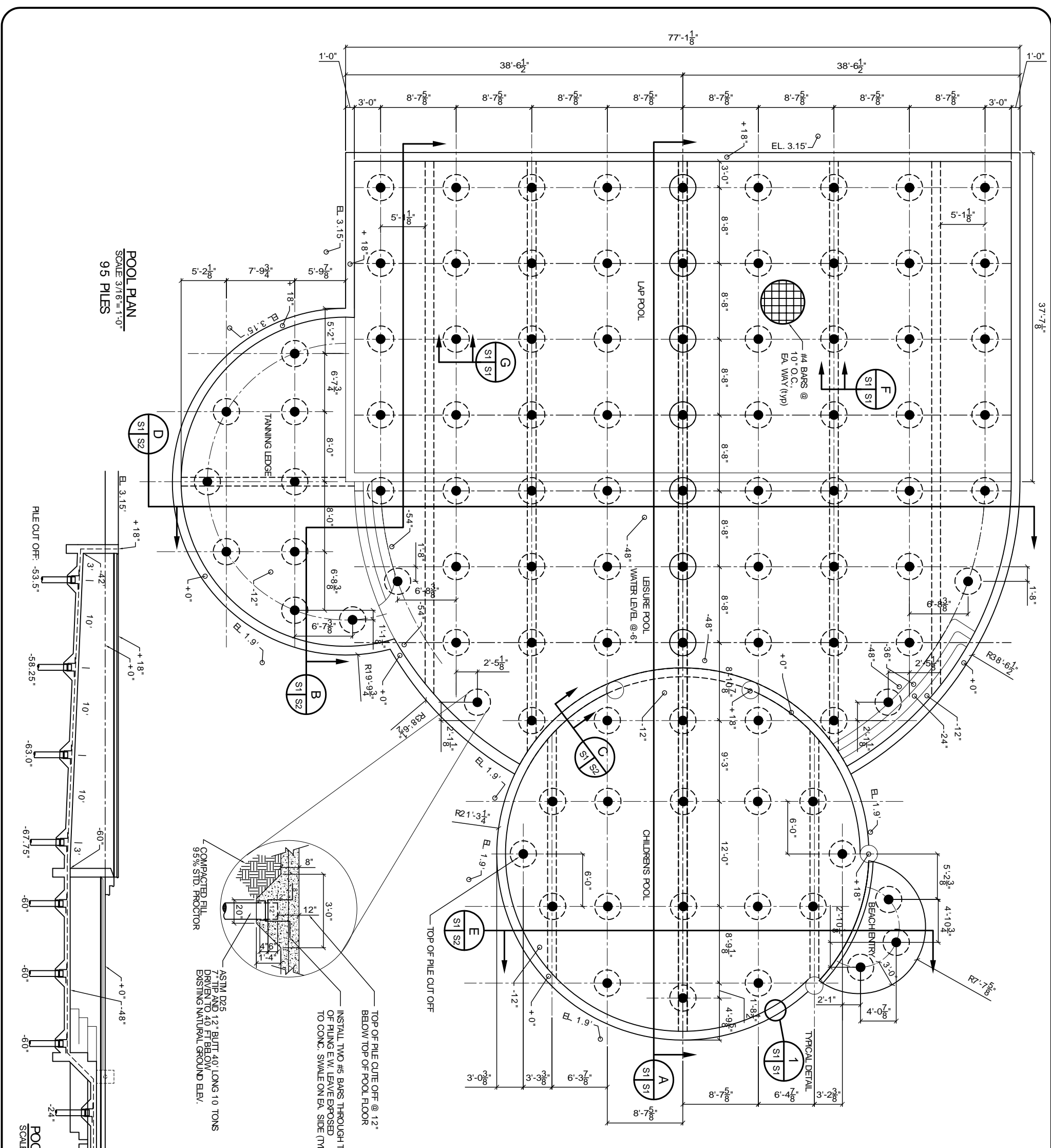


POOL PLAN
SCALE 3/16"=1'-0"

POOL SECTION
SCALE 3/16"=1'-0"



- NOTES:**
1. CONTRACTOR SHALL FIELD VERIFY ALL DIMENSIONS & DEPRESSIONS PRIOR TO COMMENCING WORK.
 2. PILE DATA FROM ELTIS ENGINEERING SOILS STUDY DATED 25 NOV., 2008 TO COMMENCING WORK.
 3. USE TREATED SMALL TIMBER PILES, 4.0' LONG 10 TON CAPACITY, DRIVEN TO 4.0 FT BELOW EXISTING NATURAL GROUND ELEV.
 4. NO FIELD SUPERVISION OR INSPECTION PROVIDED UNDER THIS SEAL UNLESS NOTED OTHERWISE.
 5. PILE LAYOUT MAY BE MODIFIED DUE TO ACTUAL DRIVING CONDITIONS, ENGINEER TO BE NOTIFIED ON ANY OTHER MODIFICATION.
 6. A PILE BLOW/COUNT LOG OF ALL PILES IS TO BE SUBMITTED TO THE ENGINEER OF RECORD.
 7. CONTRACTOR IS RESPONSIBLE FOR THE COMPARISON AND VERIFICATION OF PILE LAYOUT DIMENSIONS WITH MOST RECENT EQUIPMENT DRAWINGS, ASSURING THAT PILES DO FALL WITHIN LIMITS OF THE DESIGN.
 8. ALL WATER (RAIN, RISING WATER, ETC.) SHALL BE DIRECTED AWAY FROM THE FOUNDATIONS DURING PREPARATION, RACING AND CURING OF SAME. POSITIVE DRAINAGE MUST BE MAINTAINED AT ALL TIMES.
 9. SEE ELTIS ENGINEERING SOIL ANALYSIS AND FOLLOW RECOMMENDATIONS OF STUDY.
 10. MONITOR VIBRATIONS AT NEARBY BUILDINGS.

<p>DAMMON ENGINEERING, INC. CHIEF ENGINEER EMMETT DAMMON, P.E.</p>	<p>1095 FLORIDA AVENUE SLIDELL, LA. 70458 OFFICE: 985-649-5632 FAX: 985-641-5950</p> <p>WEBSITE: WWW.DAMMONENGINEERING.COM</p> <p>EMAIL: DAMMONENG@BELLSOUTH.NET</p>	<p>ARCHITECTURE ENGINEERING STUDIES PLANNING INVESTIGATION EXPERT WITNESS</p>	<p>ROTOLO CONSULTANTS, INC 894 ROBERT BLVD SLIDELL, LA</p>	<p>YMCA POOL LOWER PLAQUEMINES BELLE CHASSE LOUISIANA</p>	<p>POOL PLAN & SECTION</p>	<p>REV: 5-18-10</p>
						<p>SCALE: AS NOTED</p>
<p>JOB#: 2061</p>						
<p>DATE 5-18-10</p>						
<p>SHEET 1</p>						
<p>S-1</p>						
<p>OF 2</p>						