

DAMMON
ENGINEERING, INC.

CHIEF ENGINEER
EMMETT
DAMMON, P.E.

CHIEF ARCHITECT
ROBERT
WILTSE

1095 FLORIDA AVENUE
SLIDELL, LA. 70458
OFFICE: 985-649-5832
FAX: 985-641-5950

WEBSITE:
WWW.DAMMONENGINEERING.COM

EMAIL:
DAMMONENG@BELLSOUTH.NET

ARCHITECTURE
ENGINEERING
STUDIES
PLANNING
INVESTIGATION
EXPERT WITNESS

ROTOLO
CONSULTANTS, INC.
894 ROBERT BLVD.
SLIDELL, LA

YMCA POOL
LOWER PLAQUEMINES
BELLE CHASSE
LOUISIANA

POOL
PLAN
& SECTION

REV:

SCALE: AS NOTED

JOB#: 2061

DATE: 4-5-10

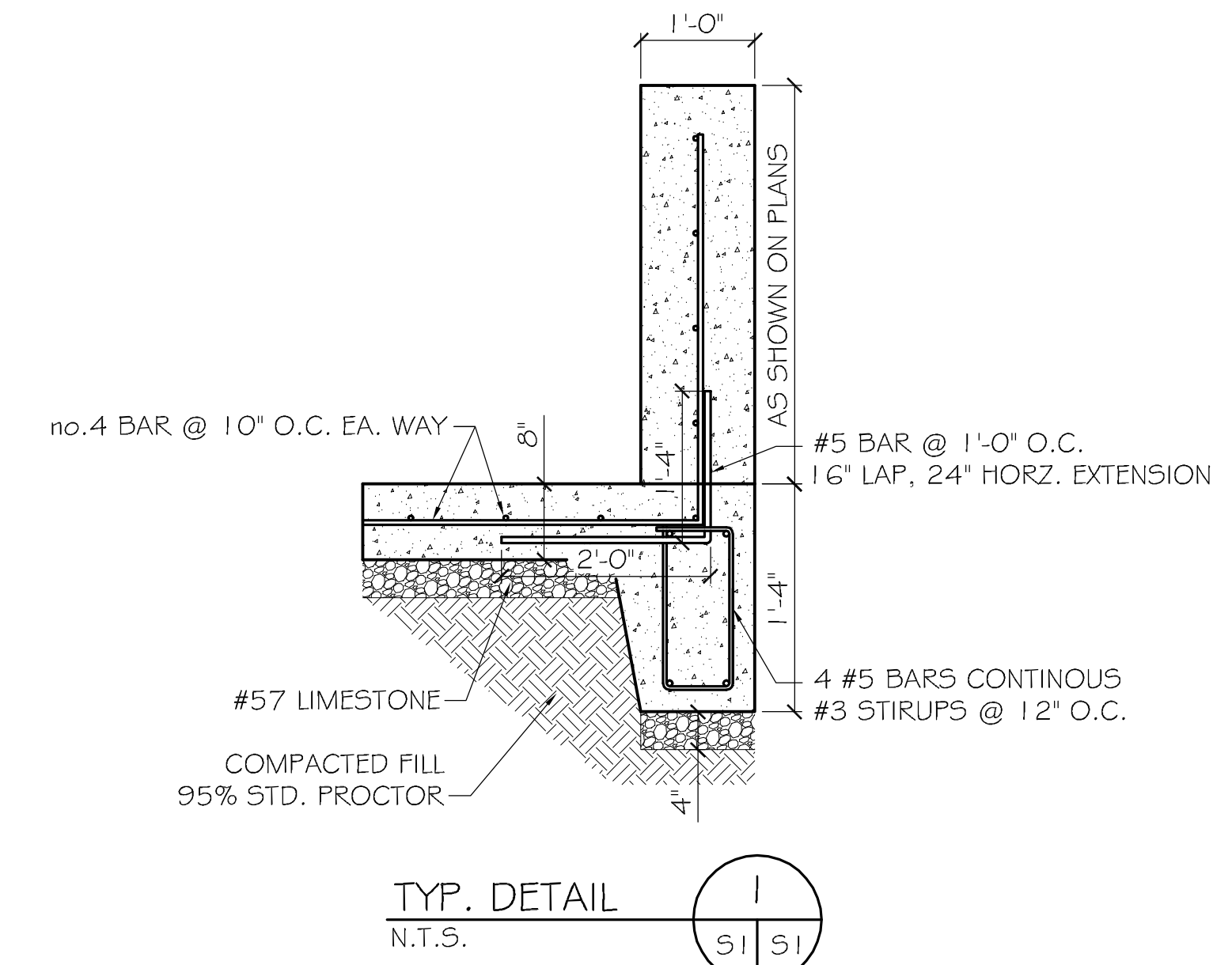
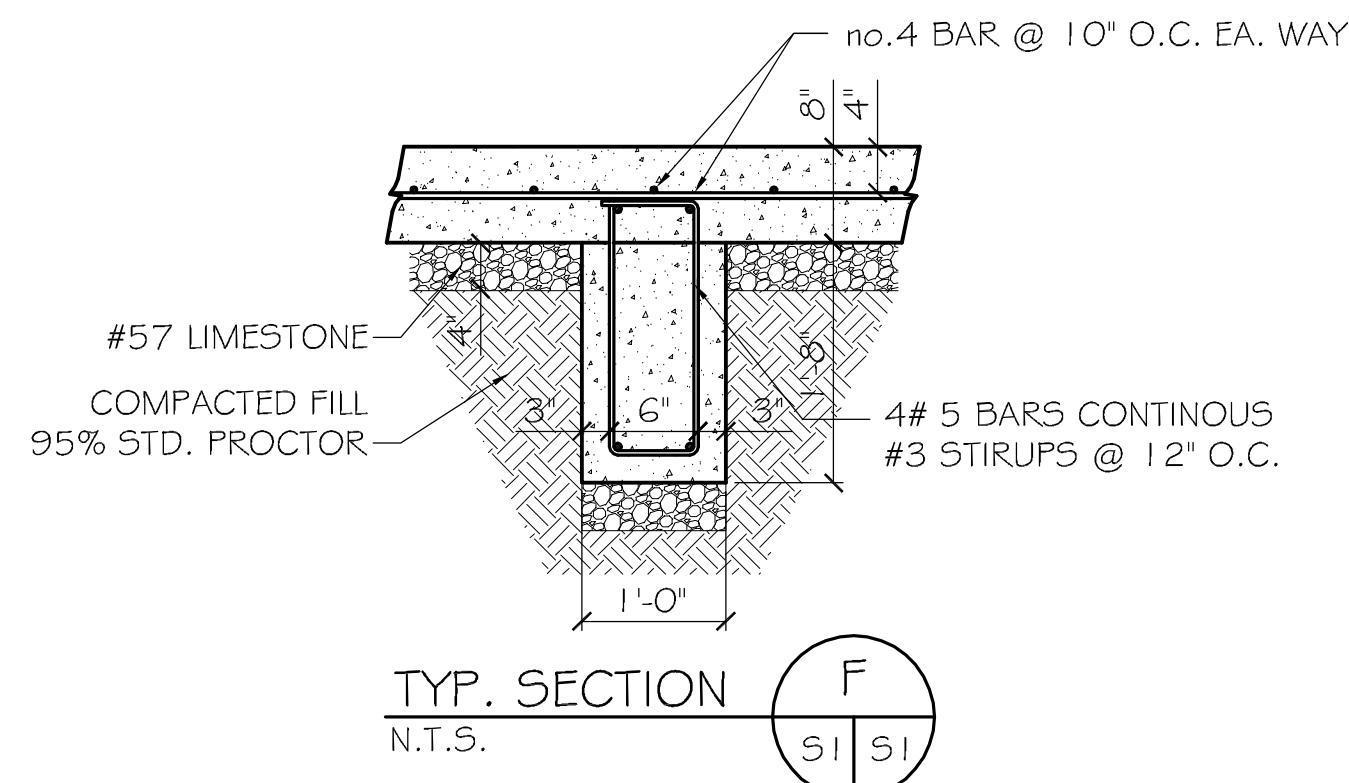
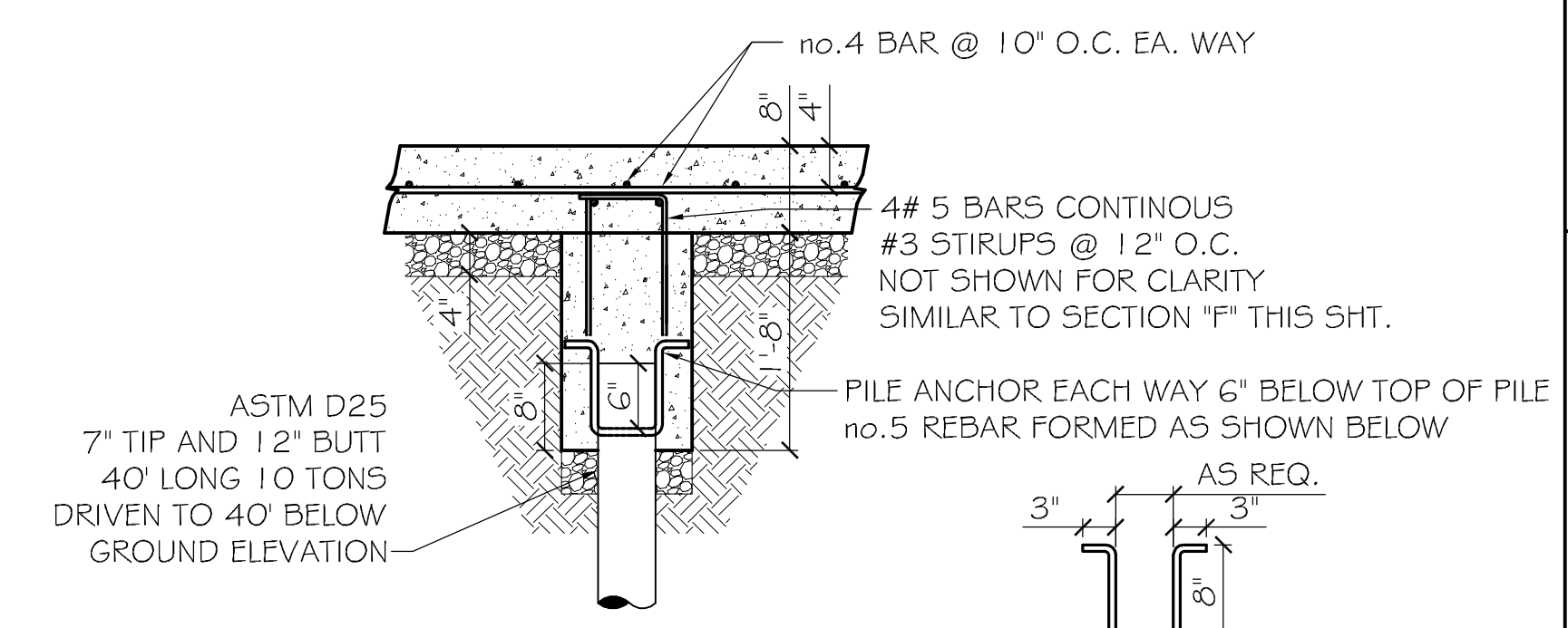
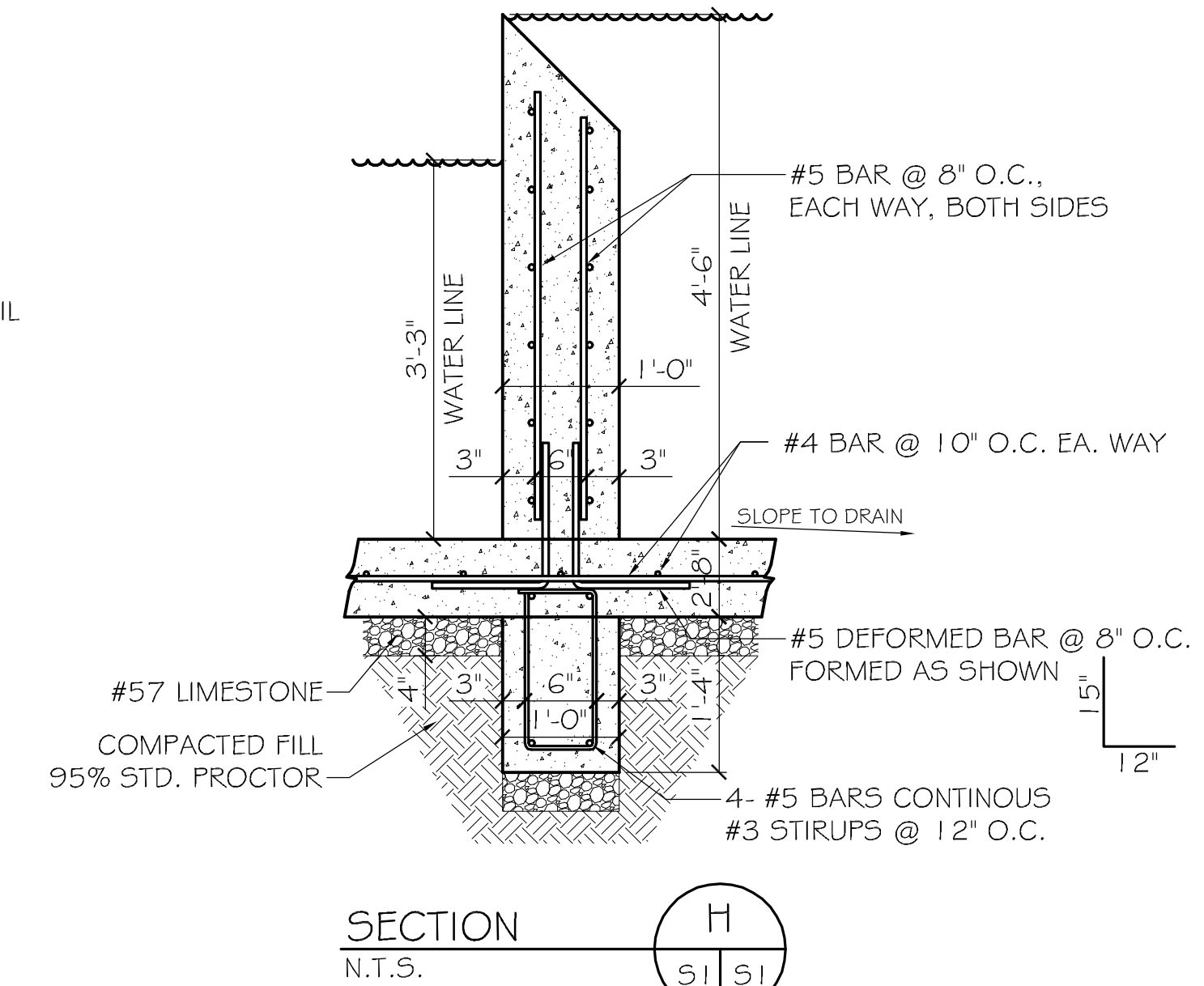
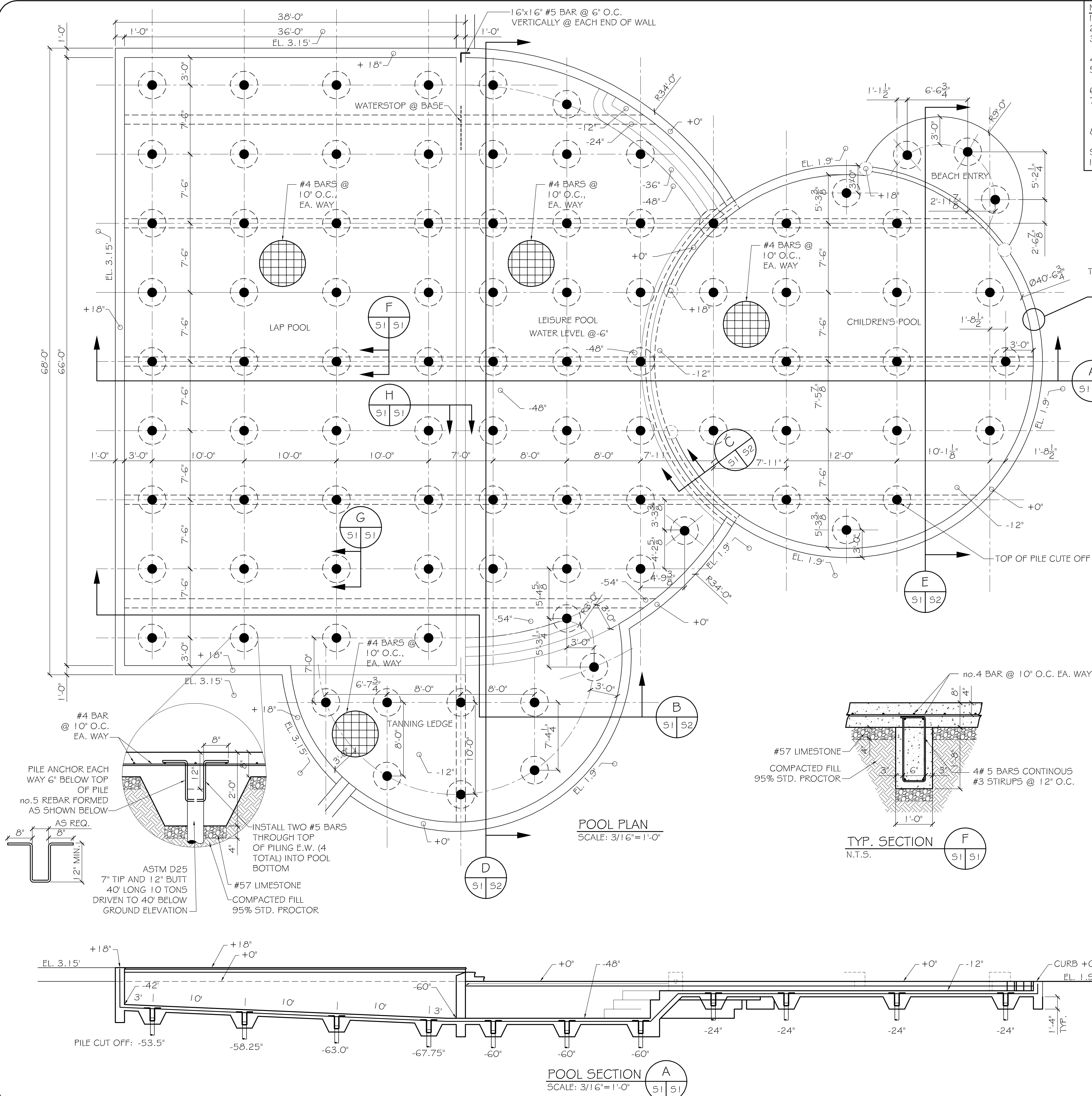
SHEET 1

S-1

OF 2

NOTES:

1. CONTRACTOR SHALL FIELD VERIFY ALL DIMENSIONS & DEPRESSIONS PRIOR TO COMMENCING WORK.
2. FILE DATA FROM EUTIS ENGINEERING SOILS STUDY DATED 25 NOV., 2008
3. USE TREATED SMALL TIMBER PILES, 40' LONG 10 TON CAPACITY. DRIVEN TO 40 FT BELOW EXISTING NATURAL GROUND ELEV.
4. NO FIELD SUPERVISION OR INSPECTION PROVIDED UNDER THIS SEAL UNLESS NOTED OTHERWISE.
5. PILE LAYOUT MAY BE MODIFIED DUE TO ACTUAL DRIVING CONDITIONS, ENGINEER TO BE NOTIFIED ON ANY OTHER MODIFICATION.
6. A PILE BLOW COUNT LOG OF ALL PILES IS TO BE SUBMITTED TO THE ENGINEER OF RECORD.
7. CONTRACTOR IS RESPONSIBLE FOR THE COMPARISON AND VERIFICATION OF PILE LAYOUT DIMENSIONS WITH MOST RECENT EQUIPMENT DRAWINGS, ASSURING THAT PILES DO FALL WITHIN LIMITS OF THE DESIGN.
8. ALL WATER (RAIN, RISING WATER, ETC.) SHALL BE DIRECTED AWAY FROM THE FOUNDATIONS DURING PREPARATION, PLACING AND CURING OF SAME. POSITIVE DRAINAGE MUST BE MAINTAINED AT ALL TIMES.
9. SEE "EUTIS ENGINEERING" SOIL ANALYSIS AND FOLLOW RECOMMENDATIONS OF STUDY.
10. MONITOR VIBRATIONS AT NEARBY BUILDINGS.



POOL SECTION A
SCALE: 3/16"=1'-0"

TYP. DETAIL I
N.T.S.

POOL PLAN
SCALE: 3/16"=1'-0"

TYP. SECTION F
N.T.S.

TYP. SECTION G
N.T.S.