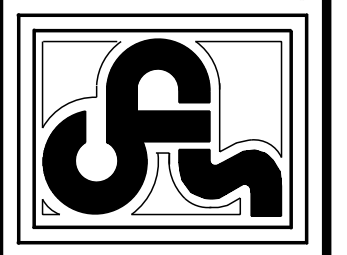
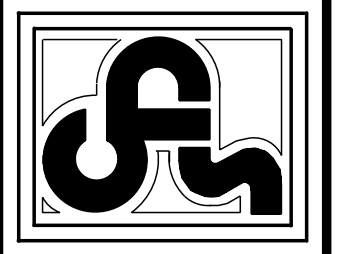


NOTE:
ALTHOUGH EVERY EFFORT
HAS BEEN MADE IN
PREPARING THESE
DRAWINGS, THE
CONTRACTOR IS
RESPONSIBLE
FOR CHECKING AND/OR
FOR ACCURACY AND OR
CONSTRUCTION
BEGINNING.

NOTE:
THIS DRAWING CONTAINS VALUABLE
DESIGN INFORMATION OF CLARKE'S
DESIGN SERVICE, L.L.C. NO USE OF
THE DRAWING OR ANY OF ITS CONTENTS
IS PERMITTED WITHOUT THE WRITTEN
CONSENT OF CLARKE'S DESIGN SERVICE,
(C) COPYRIGHT, 2011, AN UNPUBLISHED
WORK BY CLARKE'S DESIGN SERVICE, L.L.C.
ALL RIGHTS RESERVED.

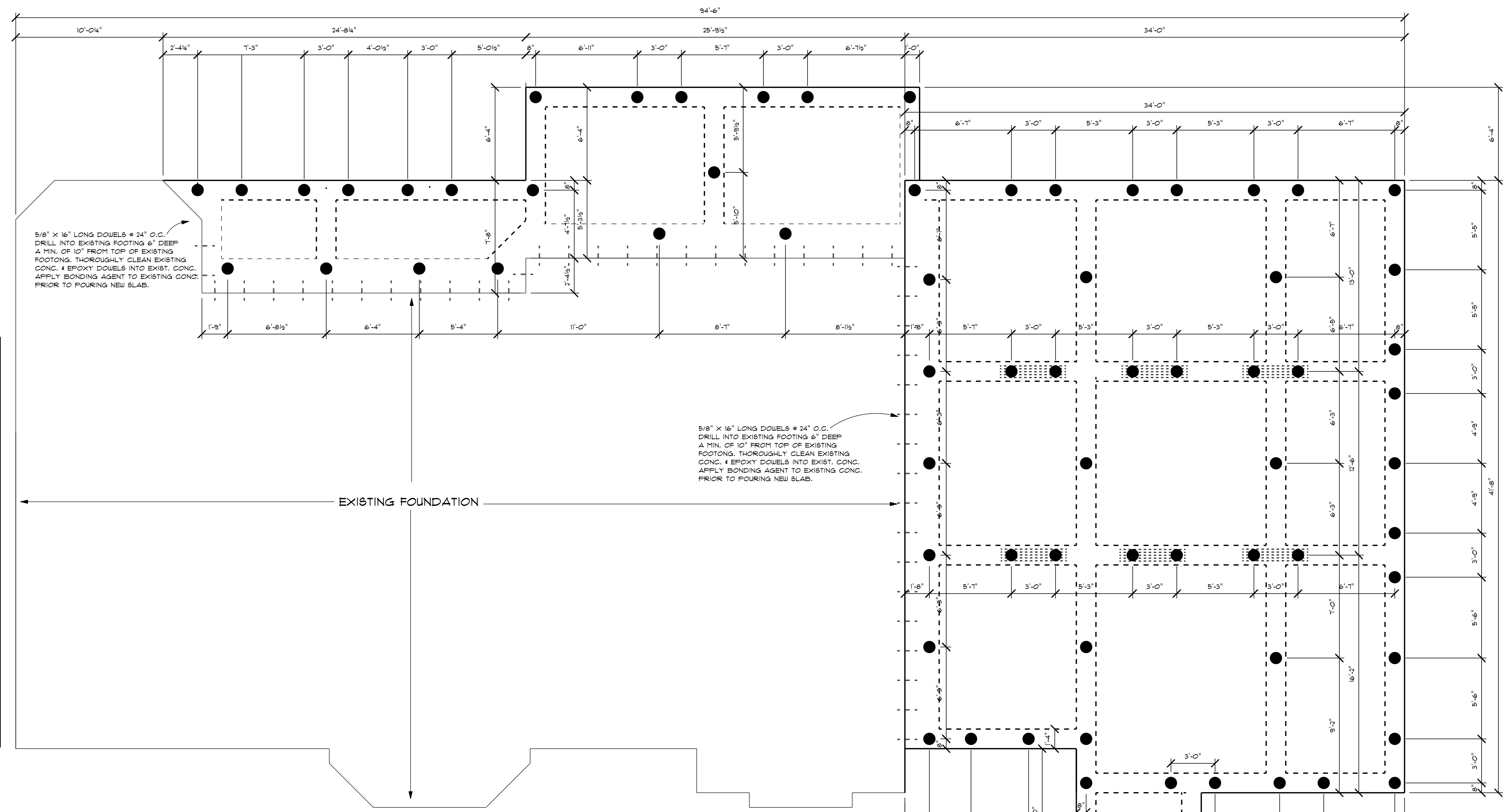


CLARKE'S DESIGN SERVICE, LLC.
WWW.CLARKEDESIGN.COM
(985) 641-0531



STEVE & LAURA MCKINNEY
LOT C-2, SQUARE ALPHA 2,
RIGOLETS ESTATES
ST. TAMMANY PARISH, LA.
DATE: 11-15-16
AD - 2102 - 2859 - 6146
INDEX

SHEET DESCRIPTION:
FOOTING & PILING LAYOUT
12 OF 14



FOUNDATION NOTES

SITE PREPARATION:
THE AREA WITHIN THE FOUNDATION WALLS SHALL HAVE ALL VEGETATION, TOPSOIL, AND FOREIGN MATERIAL REMOVED. ANY FILL MATERIAL THAT IS ADDED SHALL BE SELECT GRANULAR MATERIAL SPREAD IN MAX. 6 INCH LIFTS AND COMPACTED TO ACHIEVE 95% PROCTOR DENSITY.

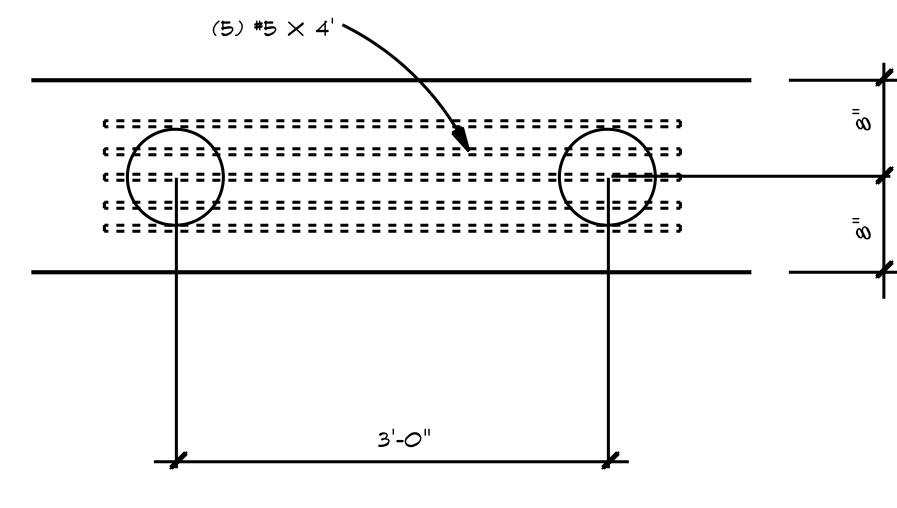
TERMITES PROTECTION:
FOUNDATIONS TO BE TERMITES PROTECTED AS PER R330.

VAPOR BARRIER:
.006 POLYETHYLENE SHALL BE PLACED UNDER ALL CONCRETE.

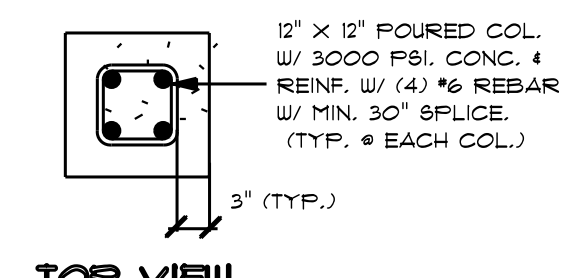
REINFORCEMENT:
ALL STEEL REINFORCING TO MEET ASTM A615 (GRADE 60).

CONCRETE:
DESIGN IS BASED ON A CONCRETE MIX HAVING A MIN. OF 5.2 BAGS OF CEMENT A MAX. OF 30 GAL. OF FREE & ADDED WATER PER CUBIC YARD. THE FINAL MIX SHOULD YIELD A MIN. COMPRESSIVE STRENGTH OF 3000 P.S.I. @ 28 DAYS.

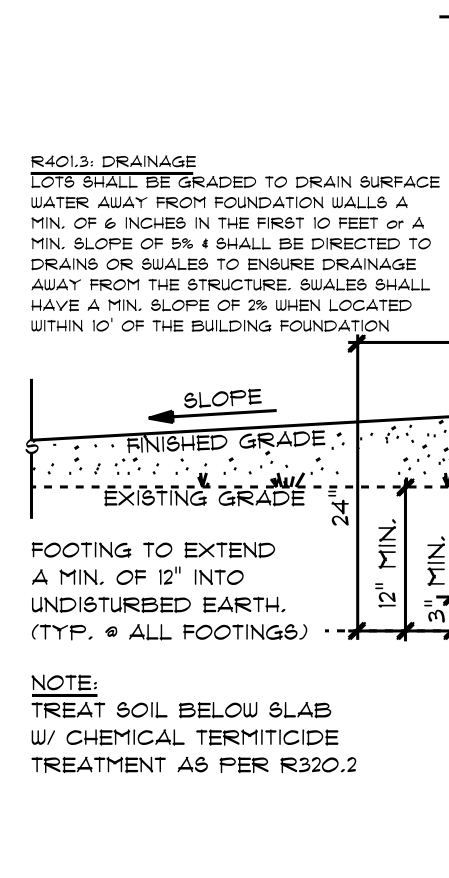
PILES:
PILES SHALL BE TREATED MODIFIED ANSI CLASS 5 TIMBERS AND SHALL HAVE A MINIMUM TIP DIAMETER OF 6 INCHES AND A MINIMUM BUTT DIAMETER OF 10\"/>



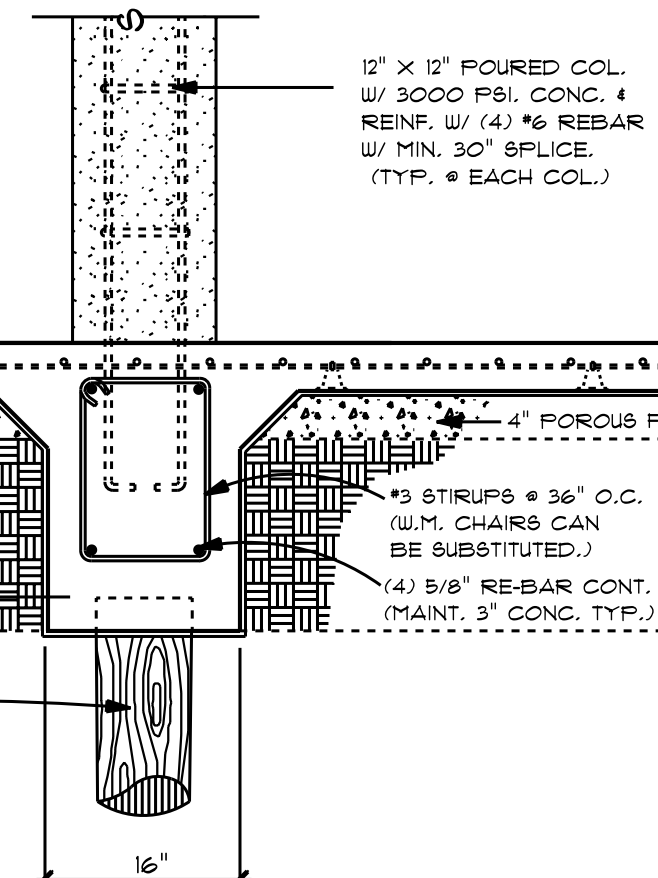
PLAN VIEW
SCALE = 3/4"=1'-0"



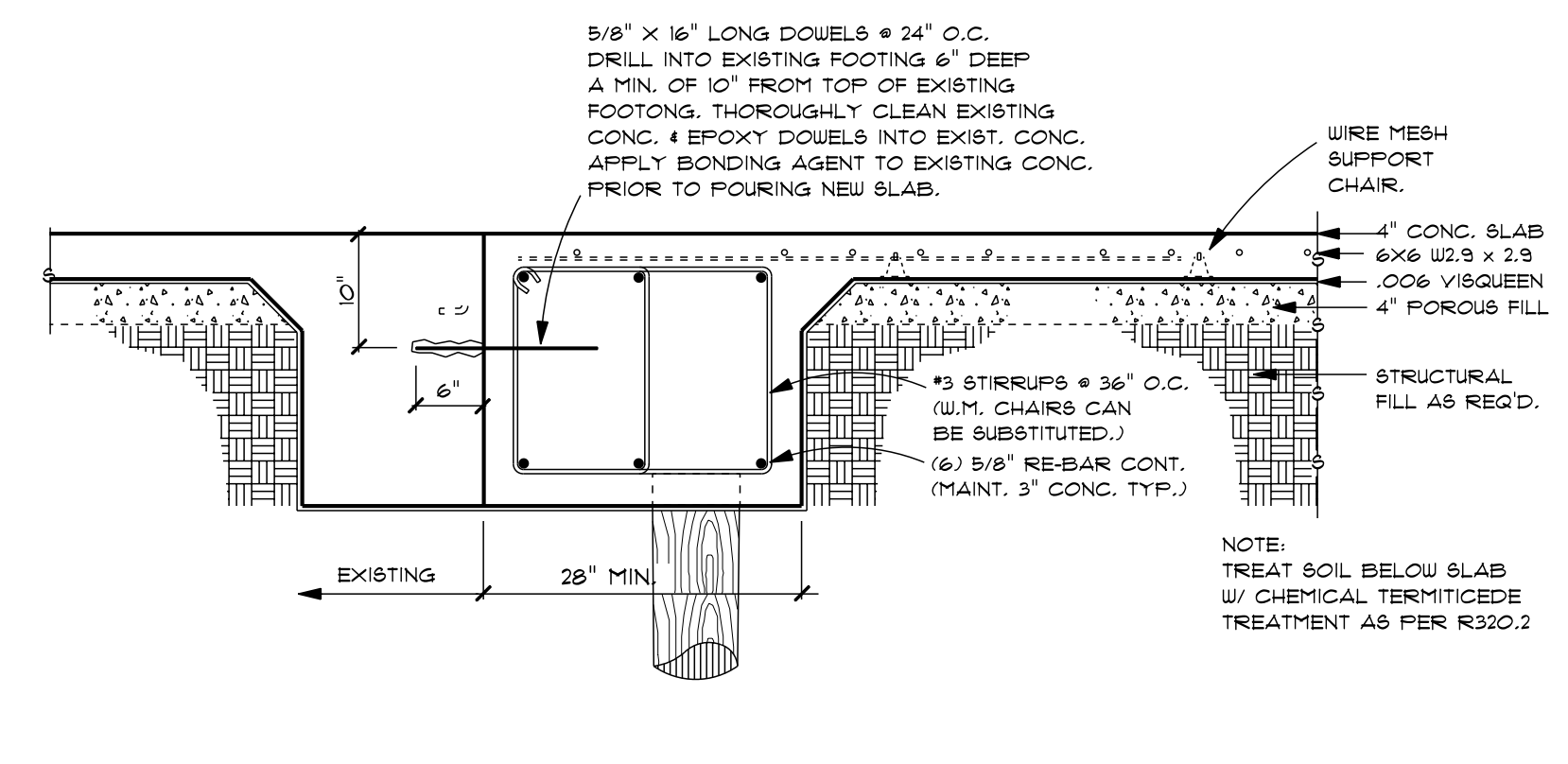
TOP VIEW



TYPICAL EXTERIOR
SCALE = 3/4"=1'-0"



TYPICAL INTERIOR
SCALE = 3/4"=1'-0"



TYPICAL @ EXISTING
SCALE = 3/4"=1'-0"

FOOTING & PILING LAYOUT
SCALE = 1/4"=1'-0"