

Builder must check correctness of this drawing PRIOR to erection of system.
 This drawing is conceptual and should be used with the Architectural plans to insure proper joist and beam placement. Stairways may be drawn small to allow for adjustments in the field.

Symbols for reference only.
 Framers to verify fixture locations for proper joist adjustments.

Accessory Schedule				
Tag	Qty	Manufacturer	Product	Description

Framing Schedule - Nominalized			
Tag	Qty	Description	Length
1	8	1-3/4" x 16" VERSA-LAM@ 2.0 3100 SP	24' 0"
2	31	1-3/4" x 16" VERSA-LAM@ 2.0 3100 SP	20' 0"
3	9	1-3/4" x 16" VERSA-LAM@ 2.0 3100 SP	18' 0"
4	6	1-3/4" x 16" VERSA-LAM@ 2.0 3100 SP	14' 0"
5	10	1-3/4" x 16" VERSA-LAM@ 2.0 3100 SP	12' 0"



NOTE:
 ALL MEASUREMENTS
 TO BE VERIFIED
 IN THE FIELD.

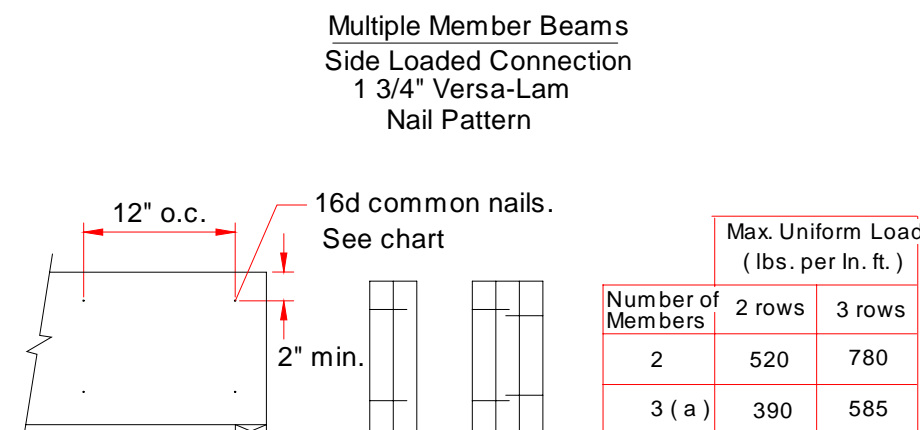
Clinton Office Phone #
 Office : 601-925-1782
 Toll free : 1-800-366-1629
 Fax : 601-925-1783

Floor 1

LOADING
 floor 40LL/10DL
 roof 20LL/20DL

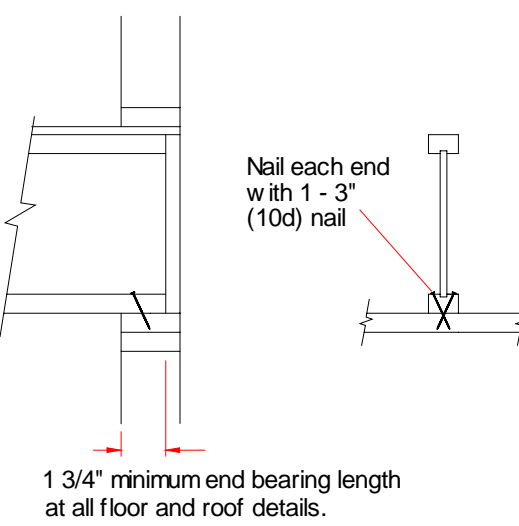
Louisiana Lumber
 Mondale Residence
 Engineered Lumber Partners
 Clinton, MS

BC FRAMER® 6
 SCALE: N.T.S.
 DATE: 2/28/2007
 BY: Ronnie Talley
 FILE: 10589.bcf
 DWG:
 SHEET: 1 / 1

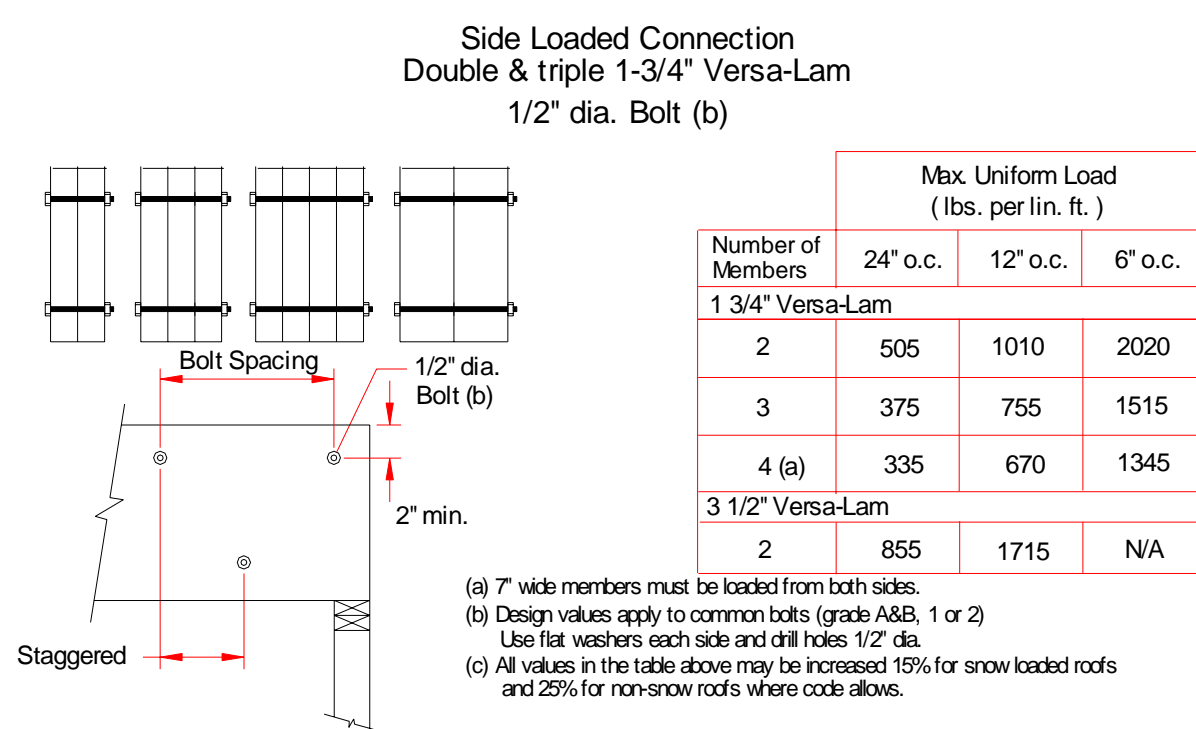


(a) Nail pattern for 3 - piece member must occur on both sides.
 Nail values may be increased by 15% for snow - load roofs and by 25% for non - snow roofs where building code allows.

F49 Multiple Member Connection Nail N.T.S.

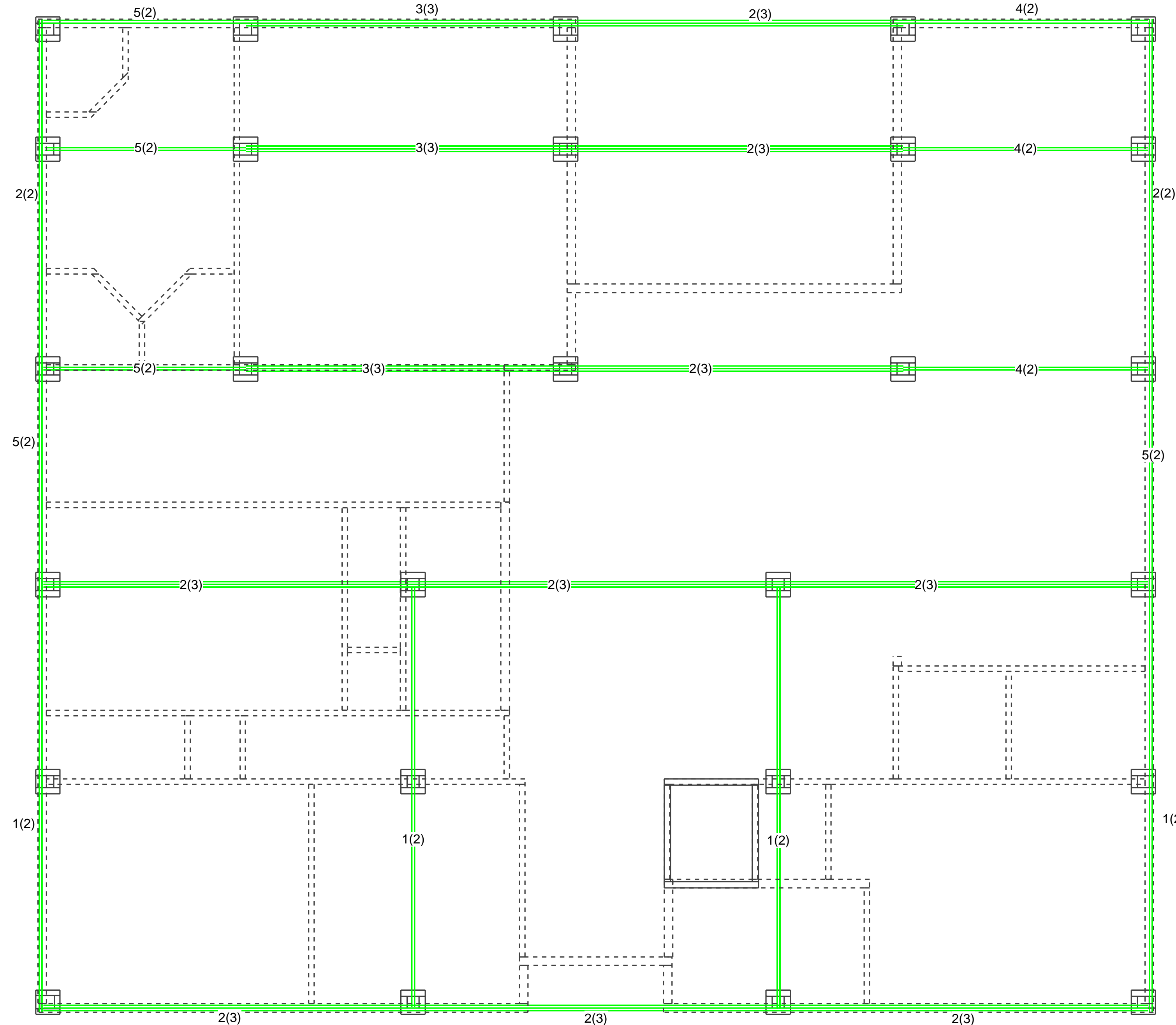


F13-D Attachment at End N.T.S.



(a) 7" wide members must be loaded from both sides.
 (b) Design values apply to common bolts (grade A305, 1 or 2). Use flat washers each side and drill holes 1/2" dia.
 (c) All values in the table above may be increased 15% for snow loaded roofs and 25% for non-snow roofs where code allows.

F50 Multiple VL Connection Side Load Bolt 5 N.T.S.



New View1
 1/4" = 1'-0"