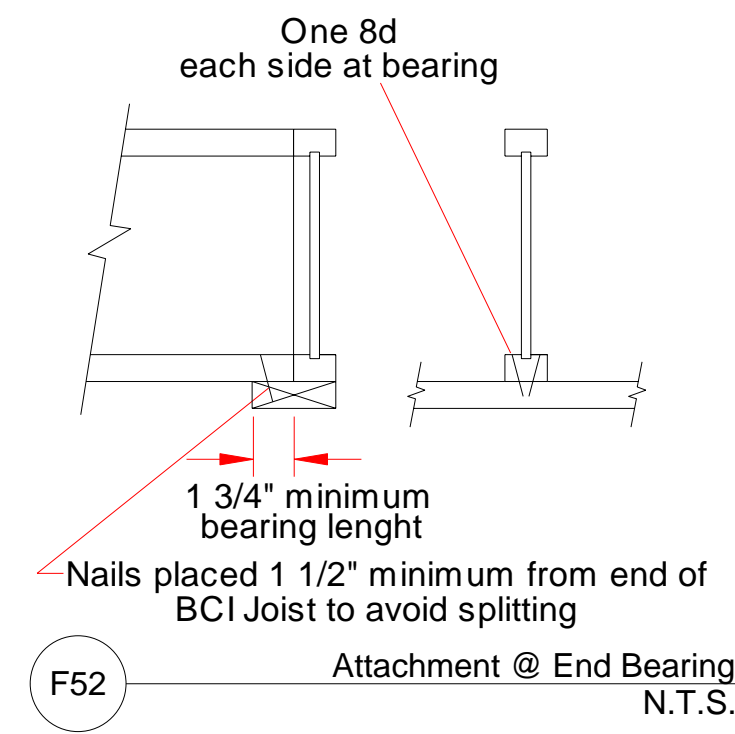
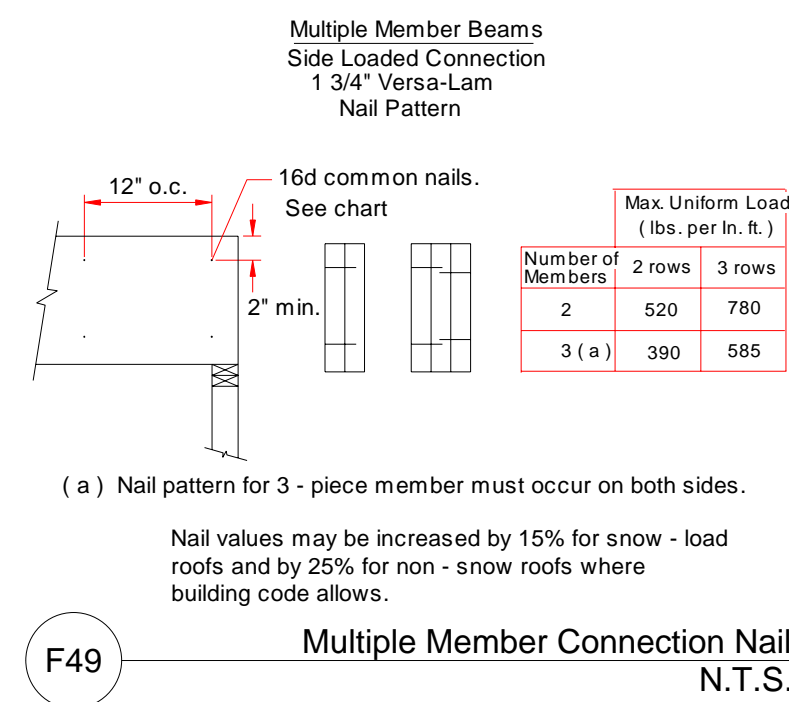


Builder must check correctness of this drawing PRIOR to erection of system. This drawing is conceptual and should be used with the Architectural plans to insure proper joist and beam placement. Stairways may be drawn small to allow for adjustments in the field.

Symbols for reference only. Framers to verify fixture locations for proper joist adjustments.



Accessory Schedule				
Tag	Qty	Manufacturer	Product	Description
H1	15	Simpson Strong-Tie Inc.	IUT3512	2-5/16 x 11-7/8 to 16 Face Mount *

Framing Schedule - Nominalized			
Tag	Qty	Description	Length
1	18	11-7/8" BCI@ 60s-2.0 SP	22' 0"
2	3	11-7/8" BCI@ 60s-2.0 SP	18' 0"
3	1	11-7/8" BCI@ 60s-2.0 SP	4' 0"
4	3	1-3/4" x 16" VERSA-LAM@ 2.0 3100 SP	22' 0"
5	TL	1-1/8" x 11-7/8" BC RIM BOARD™ OSB	36' 0"



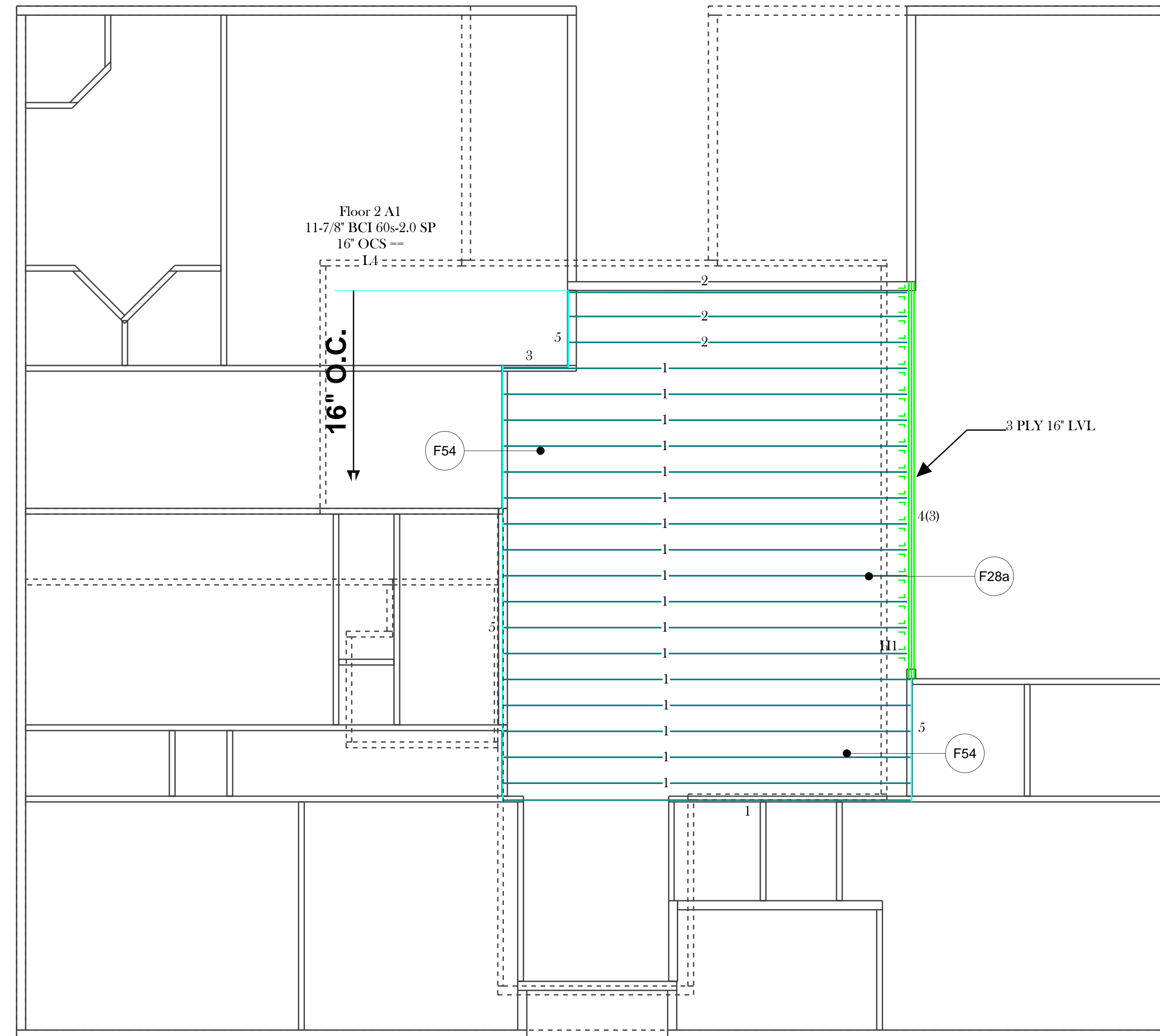
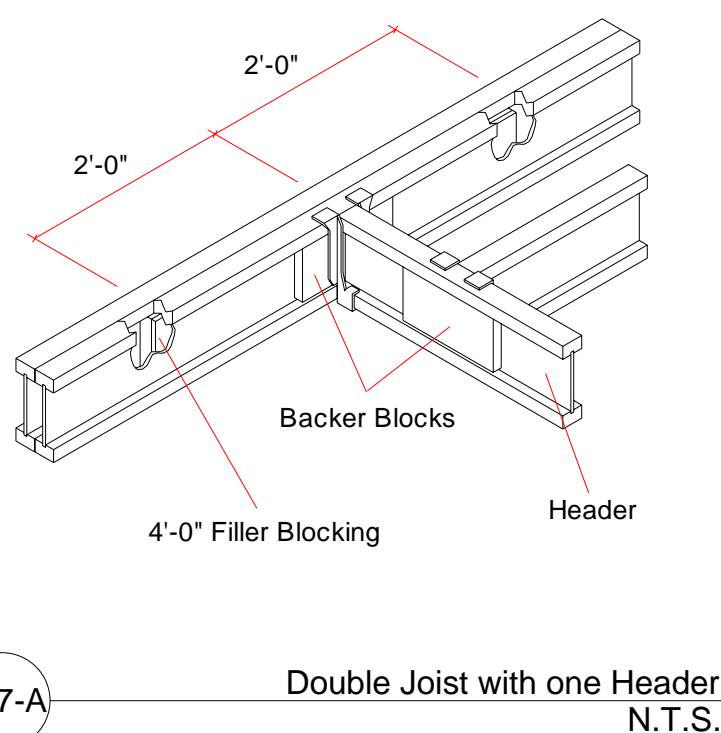
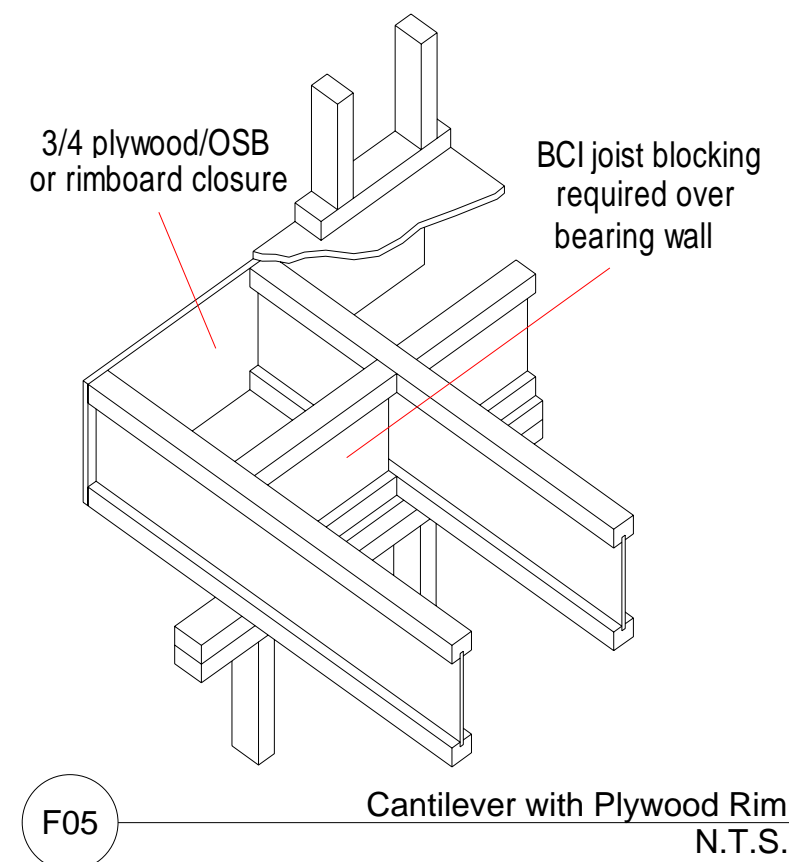
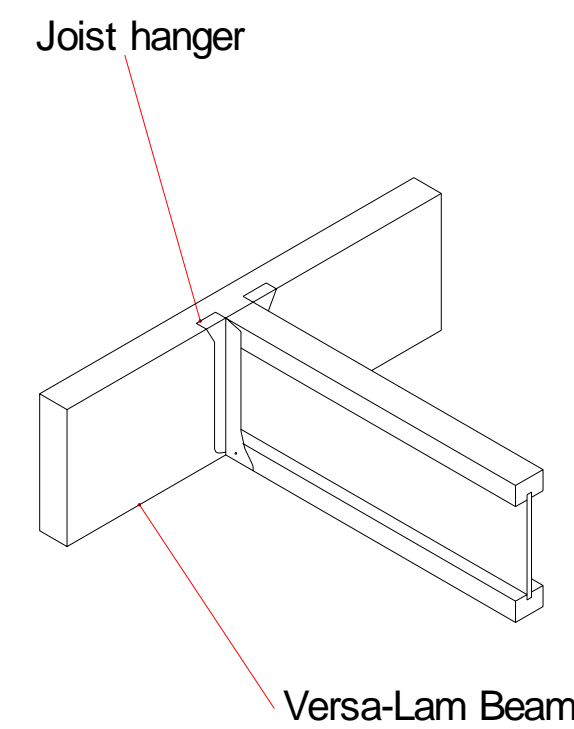
NOTE: ALL MEASUREMENTS TO BE VERIFIED IN THE FIELD.

Floor 2

LOADING floor 40LL/10DL roof 20LL/20DL

Louisiana Lumber Mondale Residence Engineered Lumber Partners Clinton, MS

BC FRAMER® 6
SCALE: N.T.S.
DATE: 2/28/2007
BY: Ronnie Talley
FILE: 10589.bcf
DWG:
SHEET: 1 / 1



Plan View

1/4" = 1'-0"

SINGLE OR DOUBLE JOISTS UNDER PARALLEL WALLS, WHERE SHOWN ON LAYOUT.

