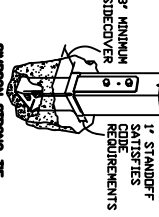
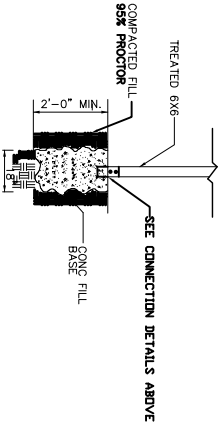


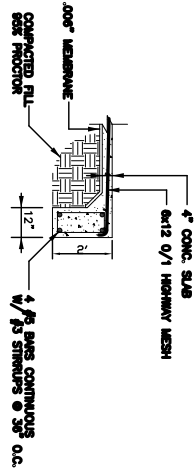
**SIMPSON STRONG-TIE
COLUMN CAP TO BEAM
DETAIL**
N.T.S.



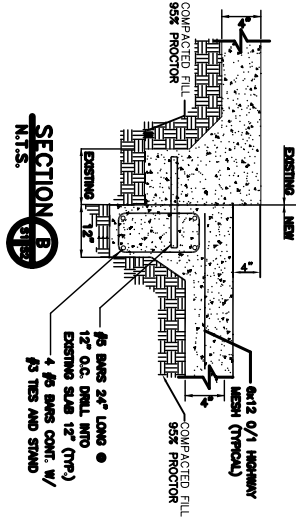
**SIMPSON STRONG-TIE
COLUMN TO FOUNDATION
DETAIL**
N.T.S.



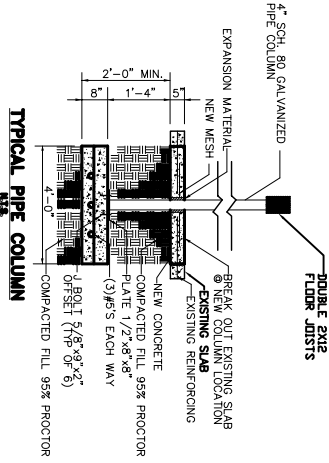
**TYPICAL POST
DETAIL**
N.T.S.



**SECTION
A-A**
N.T.S.



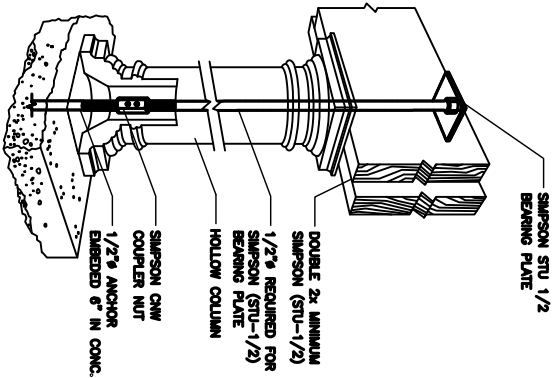
**SECTION
B-B**
N.T.S.



**TYPICAL PIPE
COLUMN**
N.T.S.



- NOTES:**
1. CONTRACTOR SHALL FIELD VERIFY ALL DIMENSIONS & DEPRESSIONS PRIOR TO COMMENCING WORK.
 2. FRESH CONCRETE SHALL BE PLACED FOR 7 DAYS.
 3. ALL DIMENSIONS SHALL BE VERIFIED FROM THE CENTER OF GRAVITY.
 4. THE FIELD ENGINEER SHALL BE ADVISED OF ANY CHANGES OR OTHER SERVICES OF A SOILS ENGINEERING COMPANY TO VERIFY THE LOAD BEARING CAPACITY OF THE SOIL.



**SIMPSON STRONG-TIE
COLUMN TO FOUNDATION
DETAIL**
N.T.S.

