



**3-DIMENSIONAL  
STANDARD  
CONSTRUCTION**

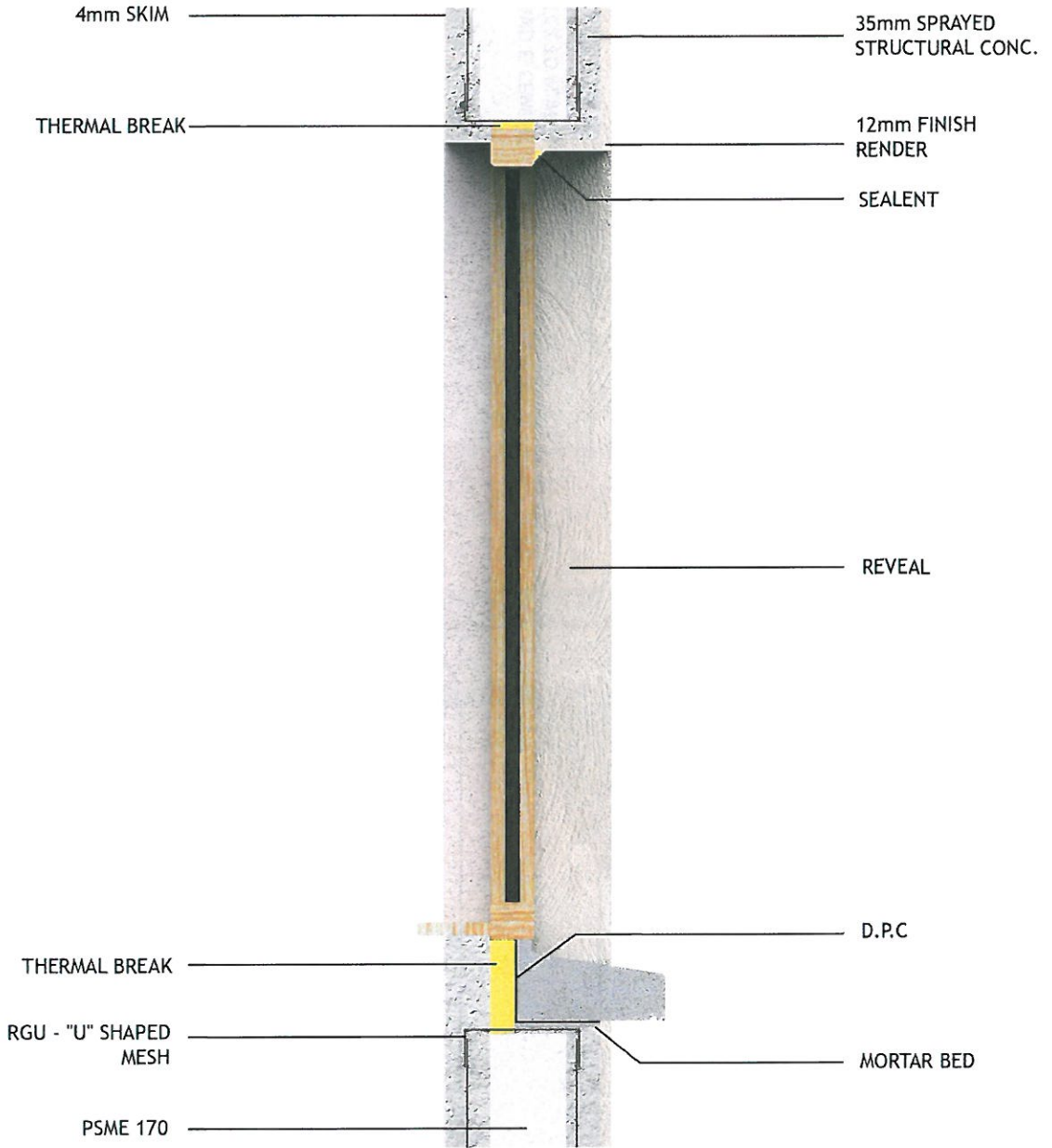
**DETAILS**

REV. A

15-02-2006



# Advanced Building System



BOTLEY LANE, PORTARLINGTON, CO. DUFFALY, REPUBLIC OF IRELAND

Tel: +353/0502-45000 Fax: +353/0502-45054

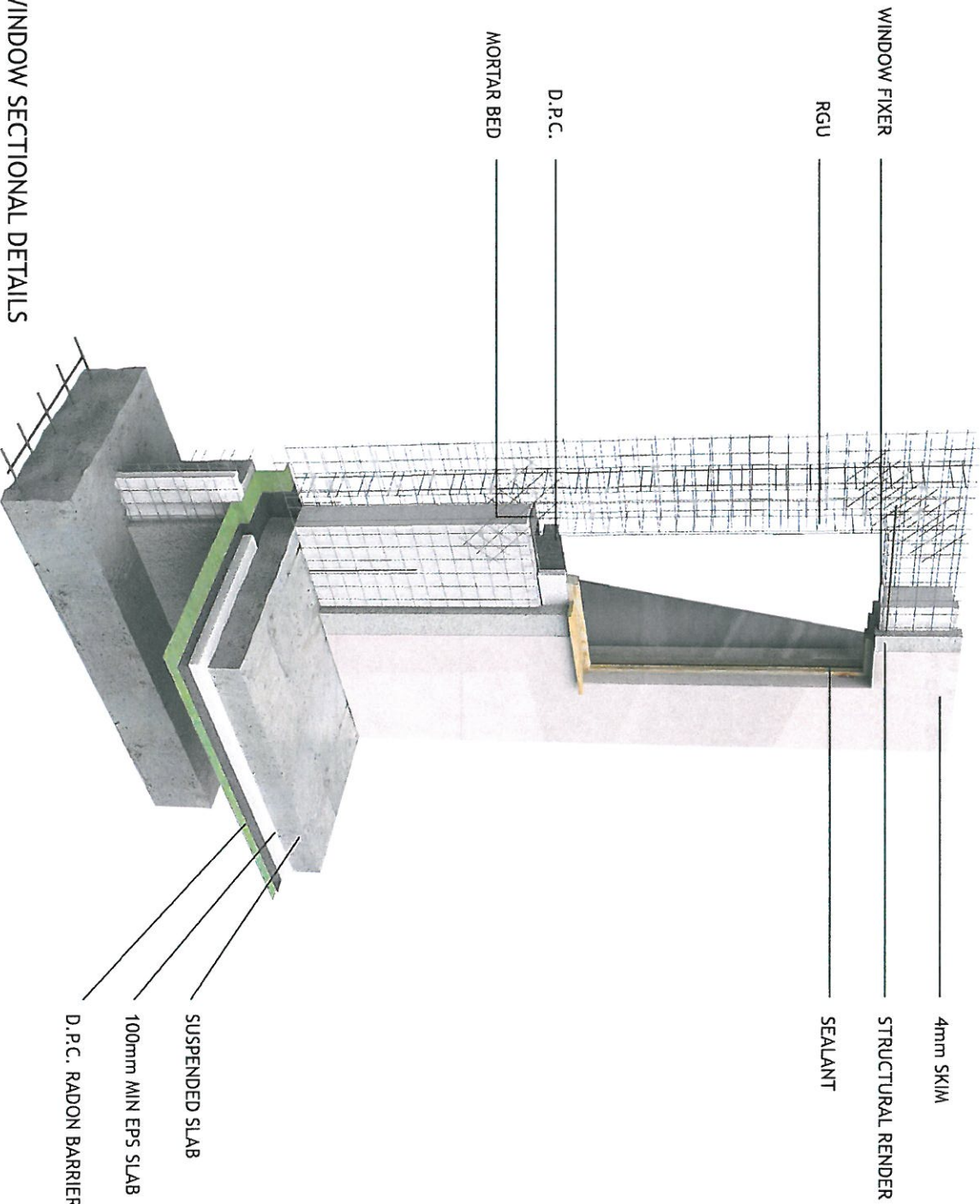
[www.m2ireland.com](http://www.m2ireland.com) [info@m2ireland.com](mailto:info@m2ireland.com)

PSME - WINDOW SECTIONAL DETAILS



# Advanced Building System

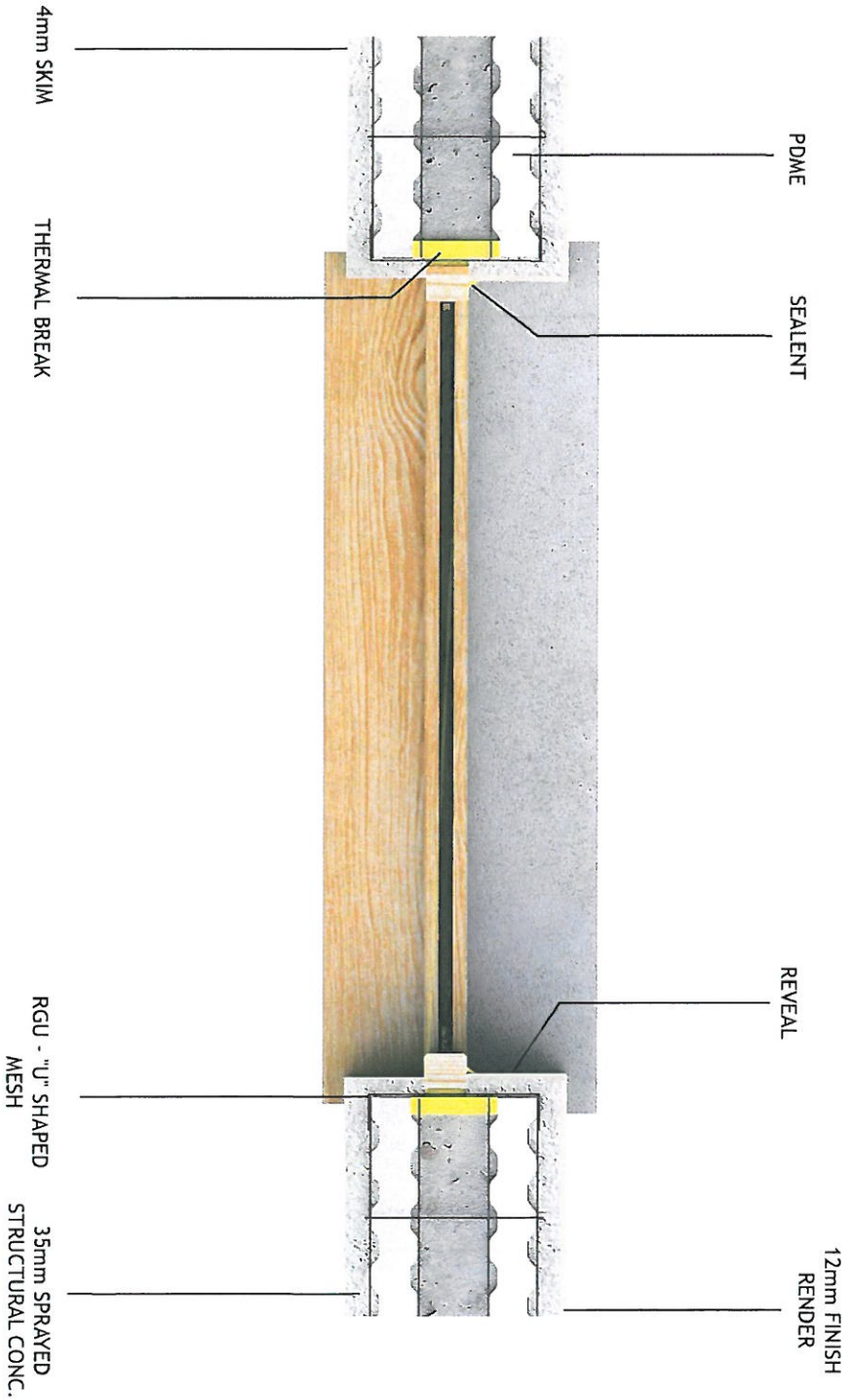
## PSME - WINDOW SECTIONAL DETAILS



BOTLEY LANE, PORTARLINGTON, CO. DUBLIN, REPUBLIC OF IRELAND  
Tel: +353/0502-45000 Fax: +353/0502-45054  
[www.m2ireland.com](http://www.m2ireland.com) [info@m2ireland.com](mailto:info@m2ireland.com)

# Advanced Building System

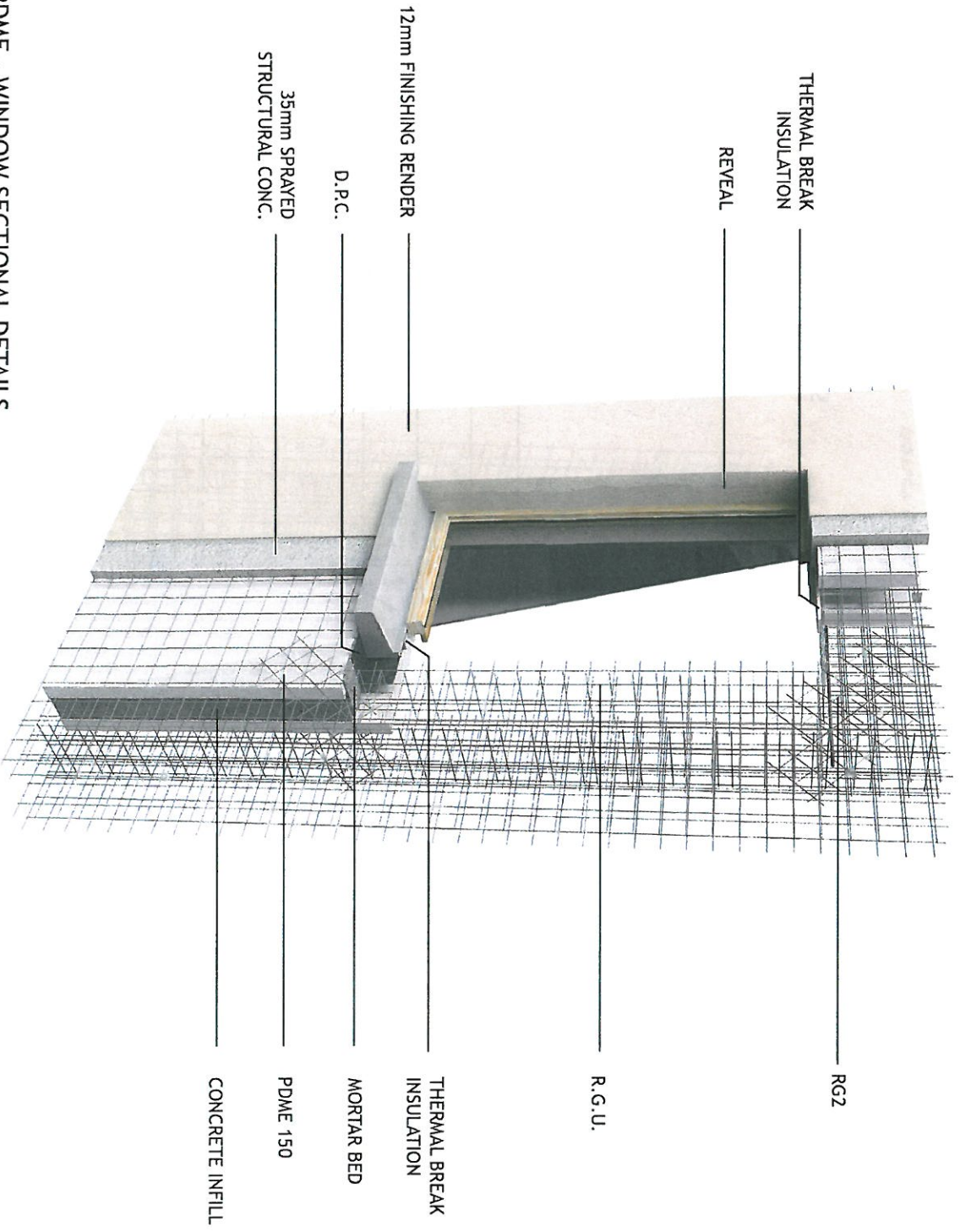
## PDME - WINDOW SECTIONAL DETAILS



BOTLEY LANE, PORTARLINGTON, CO. DUBLIN, REPUBLIC OF IRELAND  
 Tel: +353/0502-45000 Fax: +353/0502-45054  
[www.m2ireland.com](http://www.m2ireland.com) [info@m2ireland.com](mailto:info@m2ireland.com)

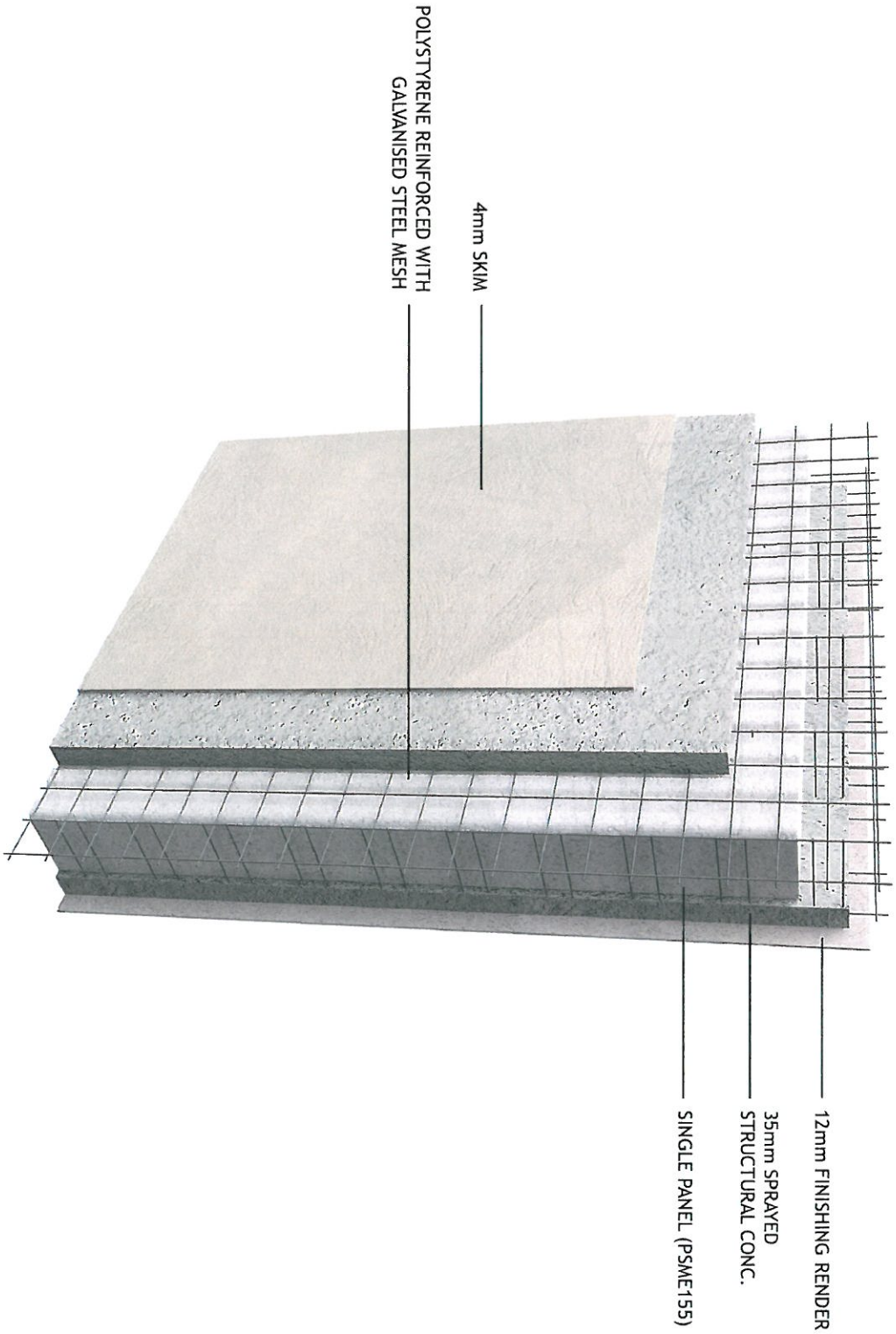
# Advanced Building System

## PDME - WINDOW SECTIONAL DETAILS



BOTLEY LANE, PORTARLINGTON, CO. DUBLIN, REPUBLIC OF IRELAND  
Tel: +353/0502-45000 Fax: +353/0502-45054  
[www.m2ireland.com](http://www.m2ireland.com) [info@m2ireland.com](mailto:info@m2ireland.com)

# Advanced Building System



## PARTY WALL CONSTRUCTION

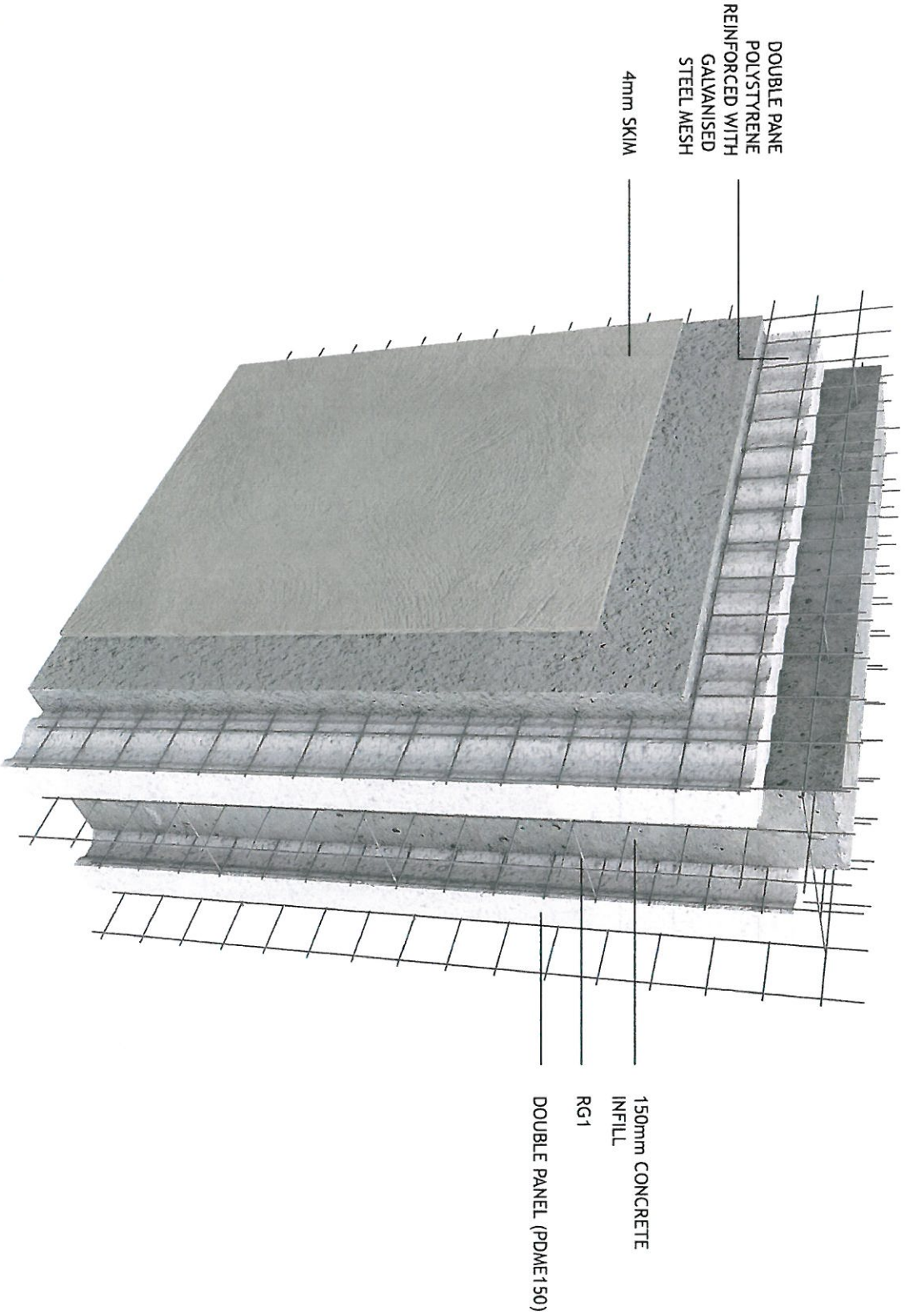
BOTLEY LANE, PORTARLINGTON, CO. DUBLIN, REPUBLIC OF IRELAND

Tel: +353/0502-45000 Fax: +353/0502-45054

[www.m2ireland.com](http://www.m2ireland.com) [info@m2ireland.com](mailto:info@m2ireland.com)

# Advanced Building System

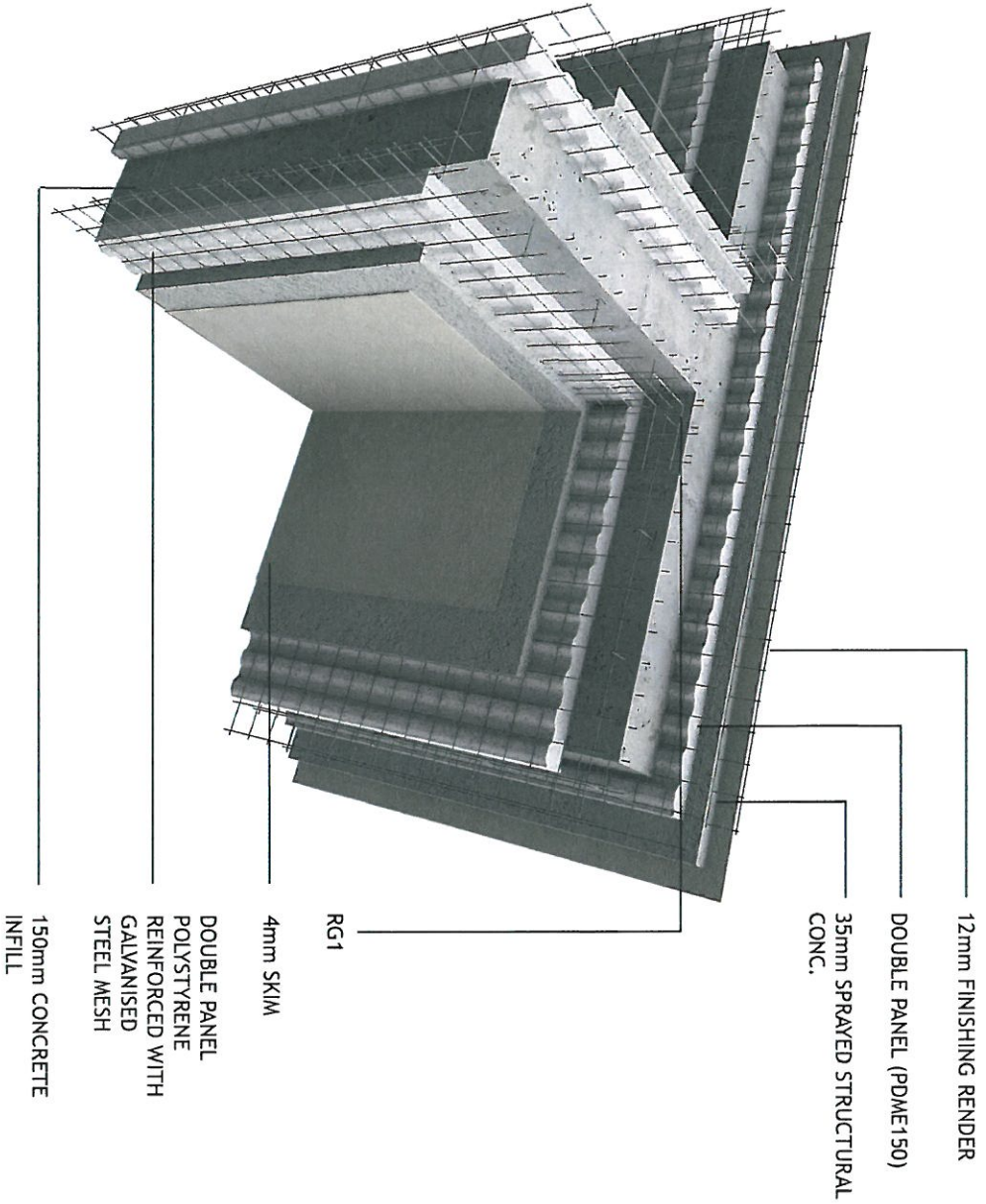
## PARTY WALL CONSTRUCTION



BOTLEY LANE, PORTARLINGTON, CO. DUFFALY, REPUBLIC OF IRELAND  
 Tel: +353/0502-45000 Fax: +353/0502-45054  
[www.m2ireland.com](http://www.m2ireland.com) [info@m2ireland.com](mailto:info@m2ireland.com)

# Advanced Building System

## PARTY WALL CONSTRUCTION



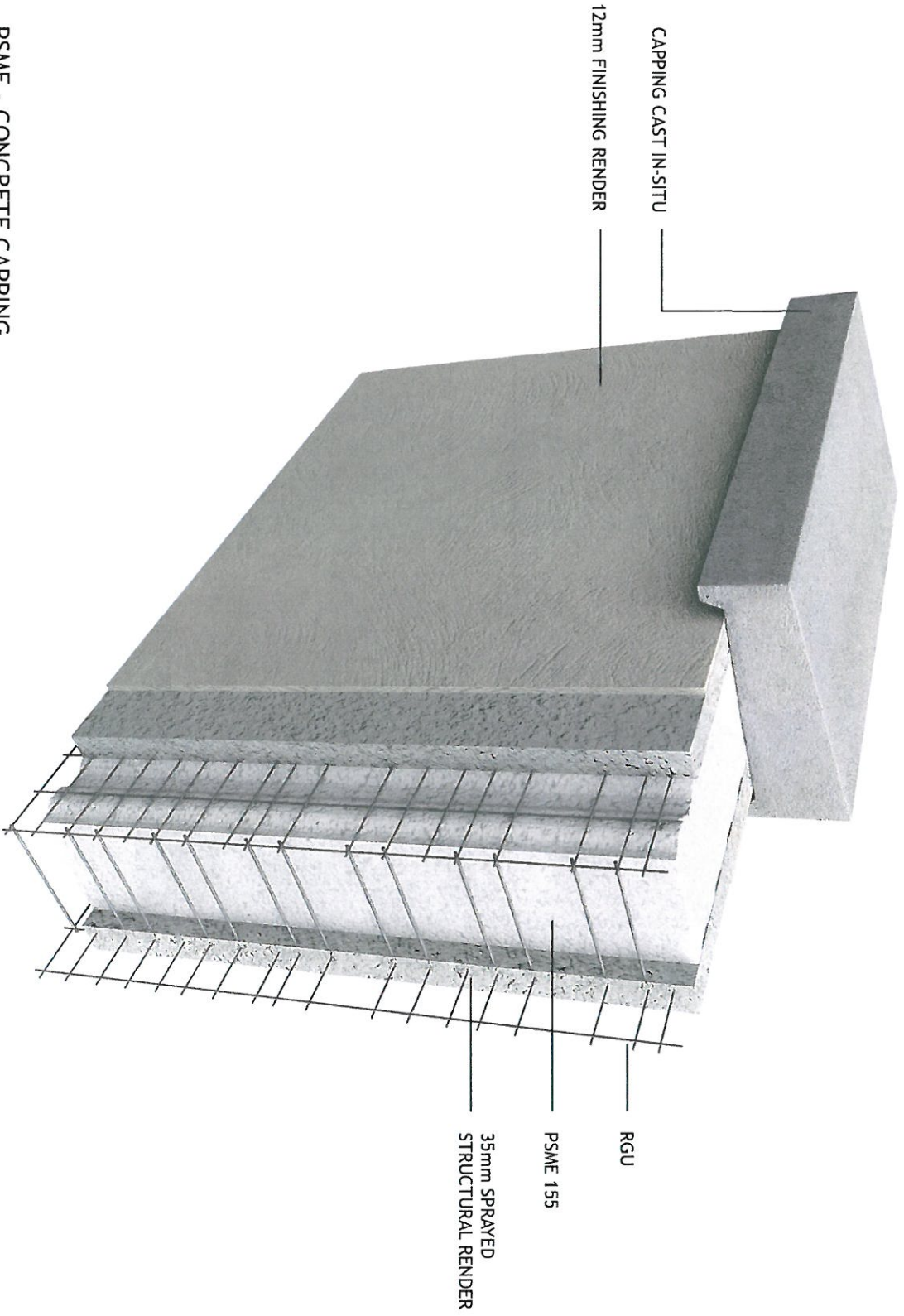
BOTLEY LANE, PORTARLINGTON, CO. DUBLIN, REPUBLIC OF IRELAND

Tel: +353/0502-45000 Fax: +353/0502-45054

[www.m2ireland.com](http://www.m2ireland.com) [info@m2ireland.com](mailto:info@m2ireland.com)

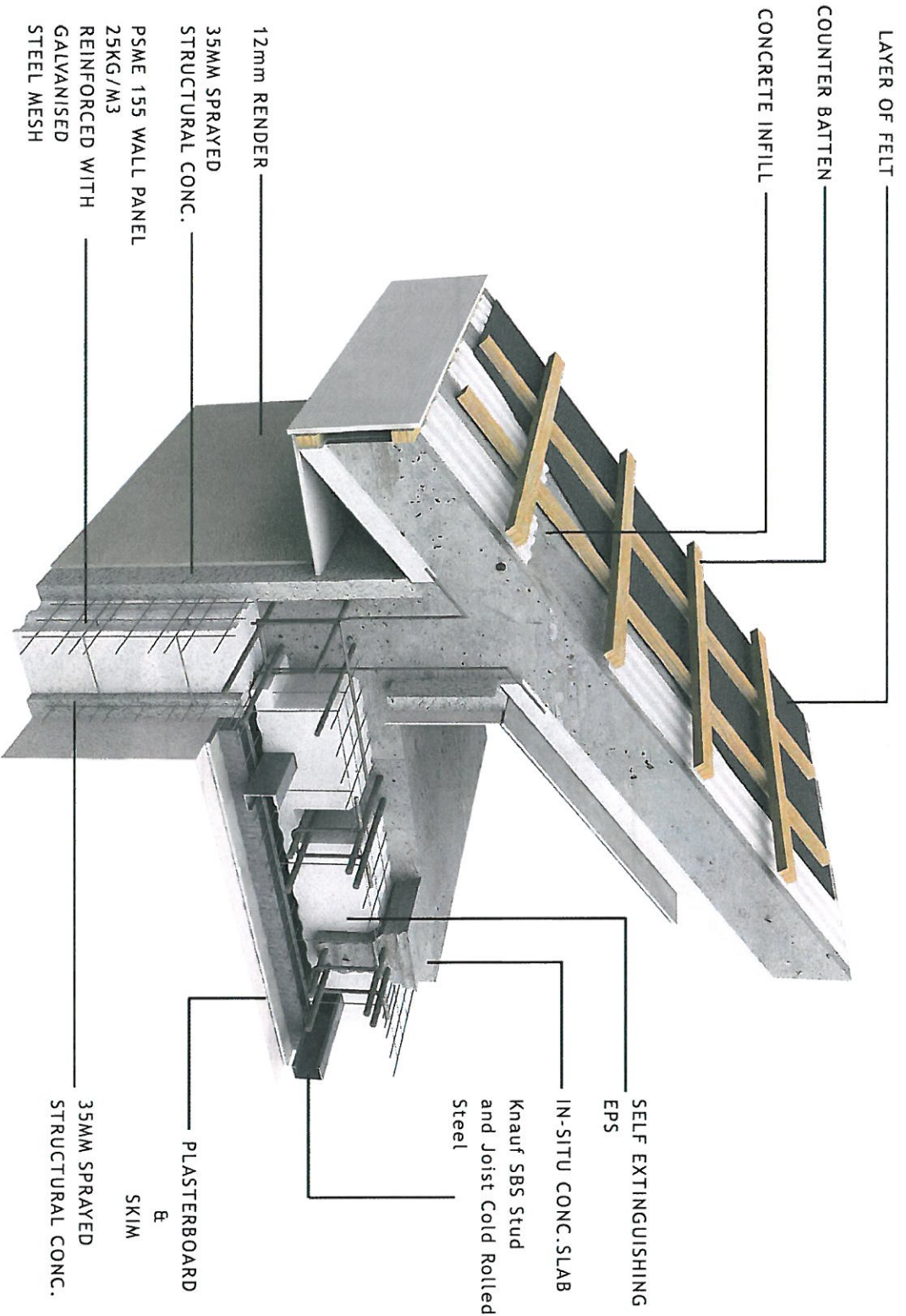
# Advanced Building System

## PSME - CONCRETE CAPPING



BOTLEY LANE, PORTARLINGTON, CO. DUBLIN, REPUBLIC OF IRELAND  
Tel: +353/0502-45000 Fax: +353/0502-45054  
[www.m2ireland.com](http://www.m2ireland.com) [info@m2ireland.com](mailto:info@m2ireland.com)

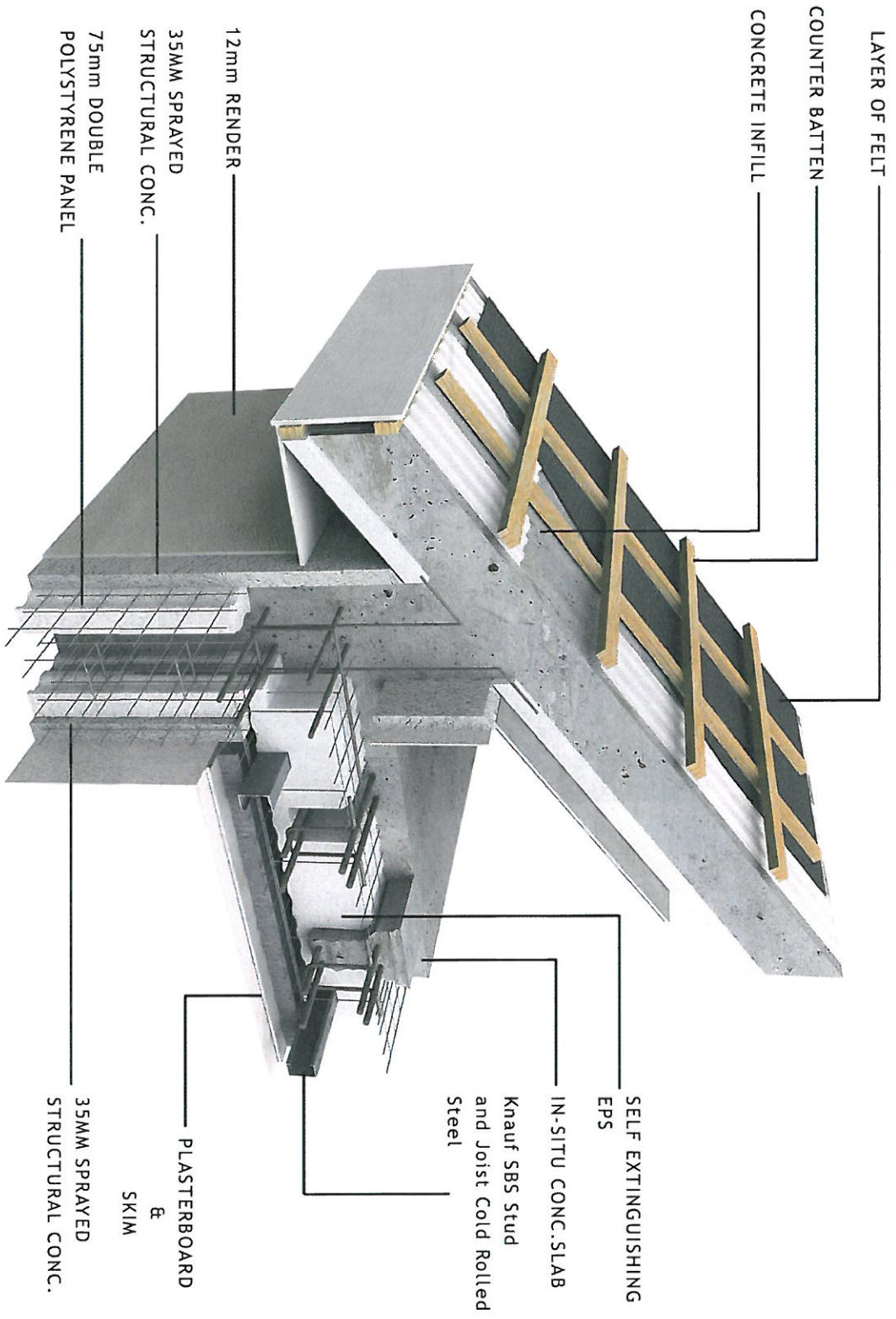
# Advanced Building System



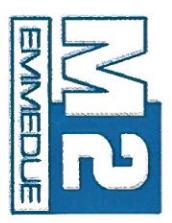
## EMMEDUE ROOF PANEL 3 POTS REINFORCED

BIOTLEY LANE, PORTARLINGTON, CO. DUFFALY, REPUBLIC OF IRELAND  
 Tel: +353/0502-45000 Fax: +353/0502-45054  
[www.m2ireland.com](http://www.m2ireland.com) [info@m2ireland.com](mailto:info@m2ireland.com)

# Advanced Building System

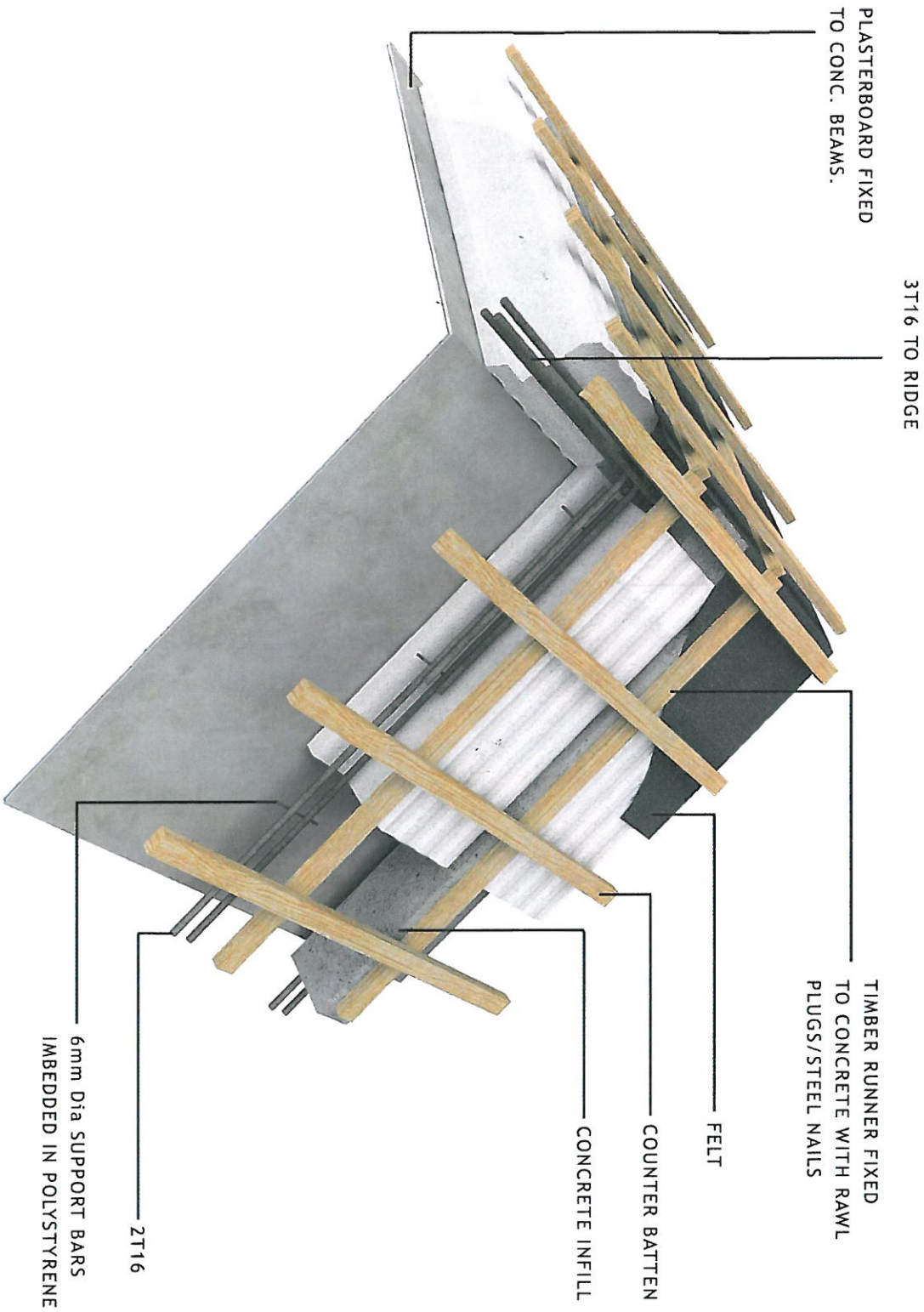


**EMMEDUE ROOF PANEL 3 POTS REINFORCED**



BOTLEY LANE, PORTARLINGTON, CO. DUBLIN, REPUBLIC OF IRELAND  
 Tel: +353/0502-45000 Fax: +353/0502-45054  
[www.m2ireland.com](http://www.m2ireland.com) [info@m2ireland.com](mailto:info@m2ireland.com)

# Advanced Building System

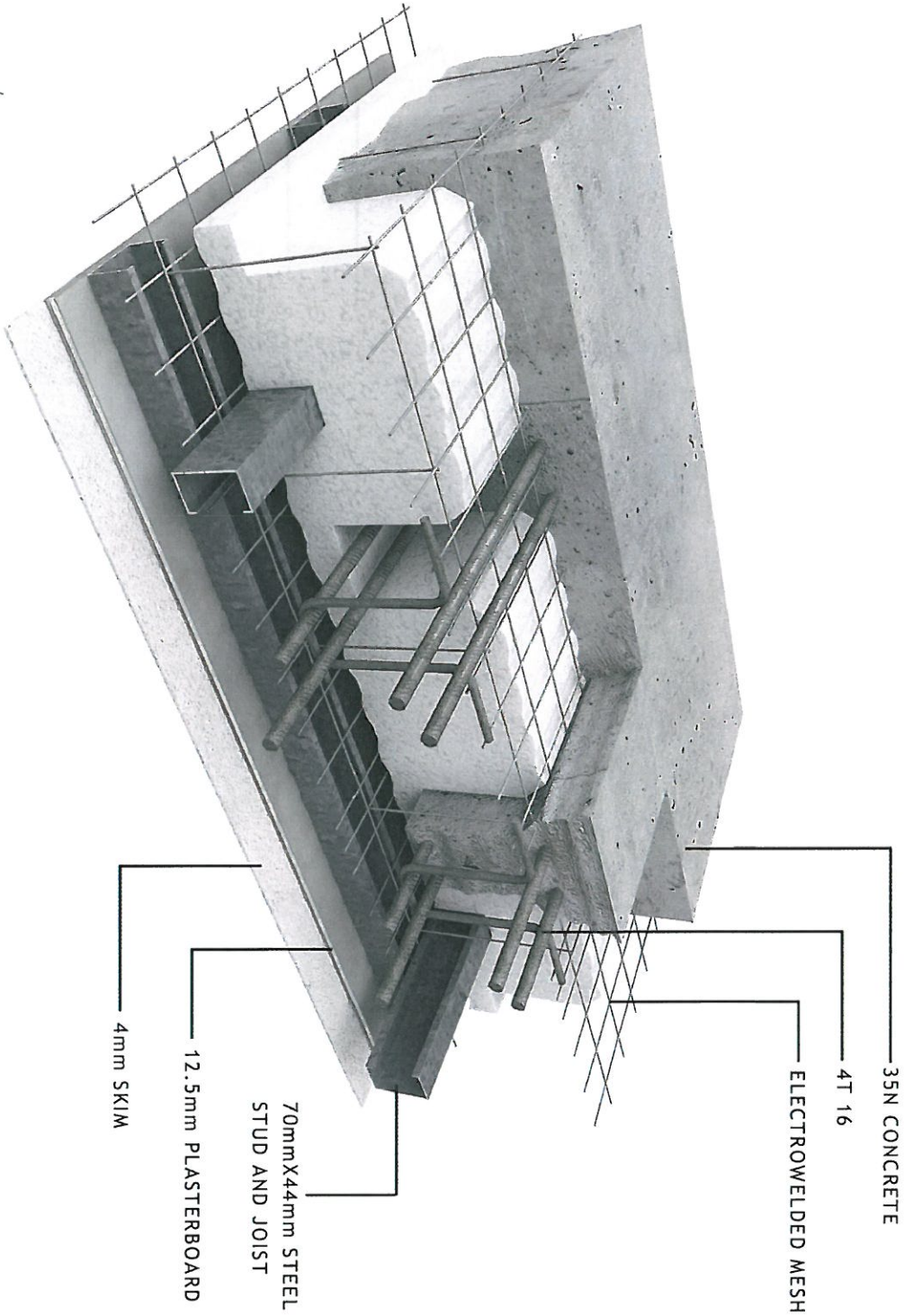


EMMEDUE ROOF PANEL 3 POTS



BOTLEY LANE, PORTARLINGTON, CO. DUBLIN, REPUBLIC OF IRELAND  
 Tel: +353/0502-45000 Fax: +353/0502-45054  
[www.m2ireland.com](http://www.m2ireland.com) [info@m2ireland.com](mailto:info@m2ireland.com)

# Advanced Building System

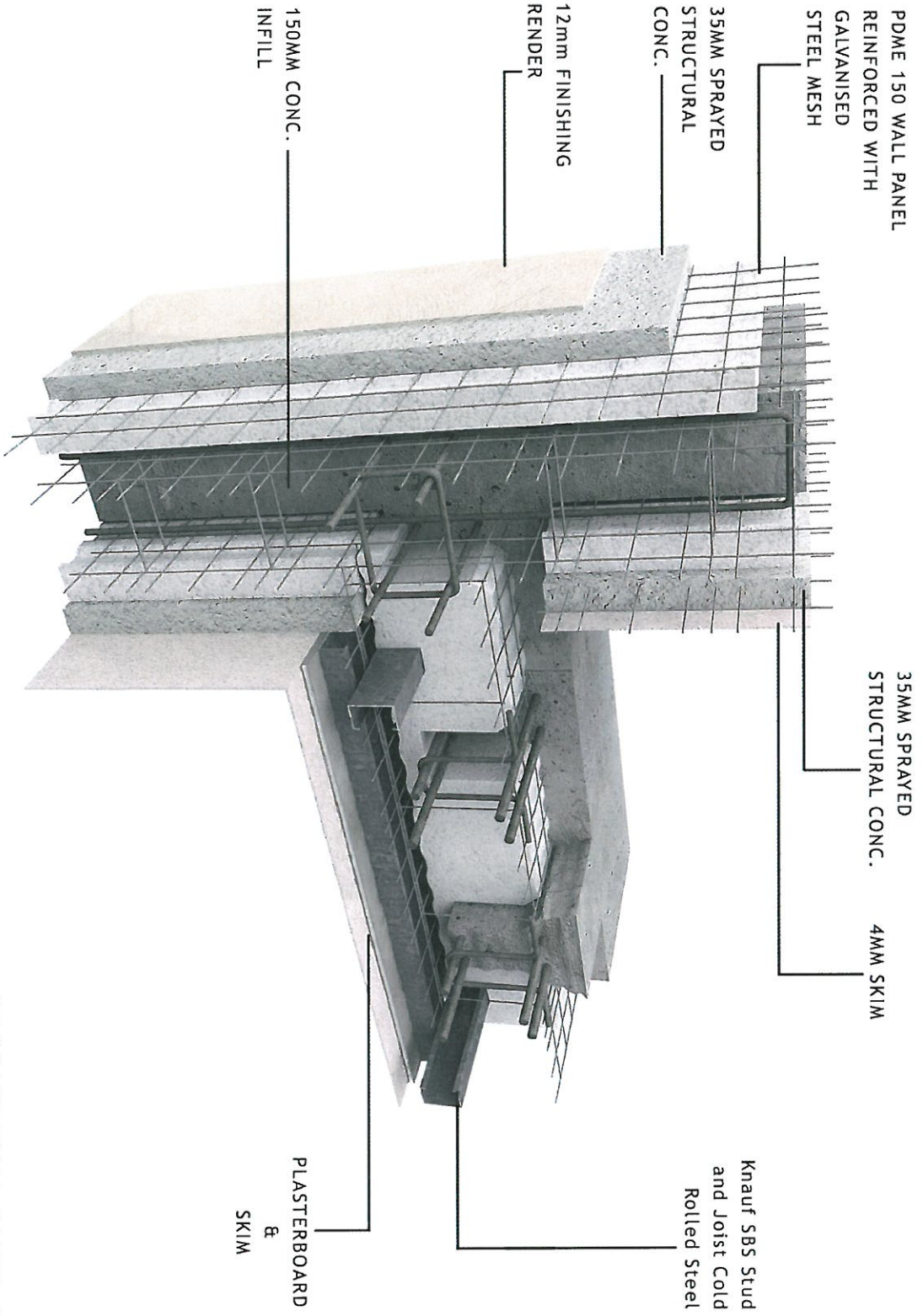


PSSG3E RC - EMMEDUE FLOOR PANEL 3 POTS REINFORCED



BOTLEY LANE, PORTARLINGTON, CO. DUBLIN, REPUBLIC OF IRELAND  
Tel: +353/0502-45000 Fax: +353/0502-45054  
[www.m2ireland.com](http://www.m2ireland.com) [info@m2ireland.com](mailto:info@m2ireland.com)

# Advanced Building System

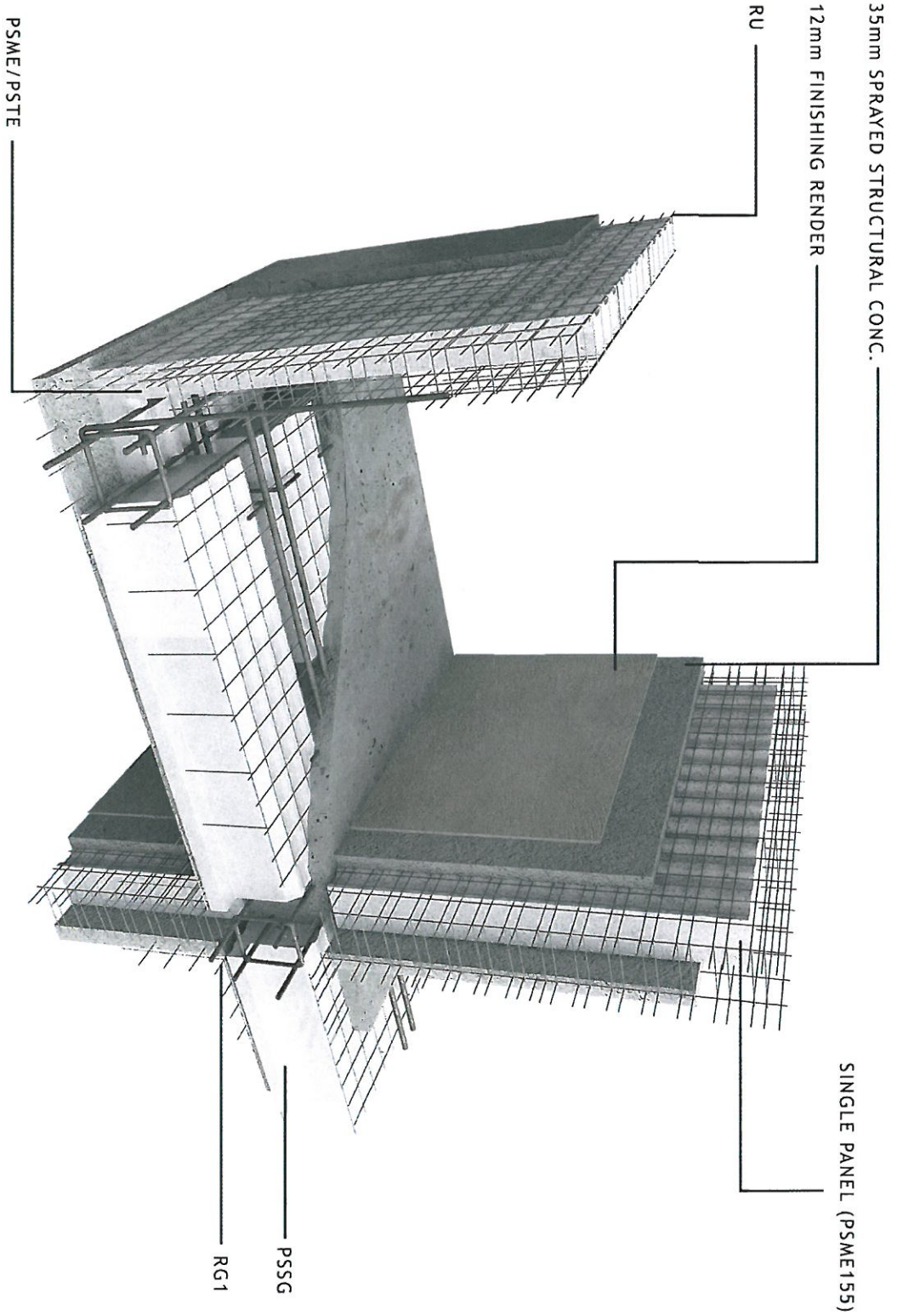


PDME150 WALL PANEL /  
PSSG3E\_R - EMMEDUE FLOOR PANEL 3



BOTLEY LANE, PORTARLINGTON, CO. DUBLIN, REPUBLIC OF IRELAND  
Tel: +353/0502-45000 Fax: +353/0502-45054  
[www.m2ireland.com](http://www.m2ireland.com) [info@m2ireland.com](mailto:info@m2ireland.com)

# Advanced Building System



BOTLEY LANE, PORTARLINGTON, CO. DUFFALY, REPUBLIC OF IRELAND

Tel: +353/0502-45000 Fax: +353/0502-45054

[www.m2ireland.com](http://www.m2ireland.com) [info@m2ireland.com](mailto:info@m2ireland.com)