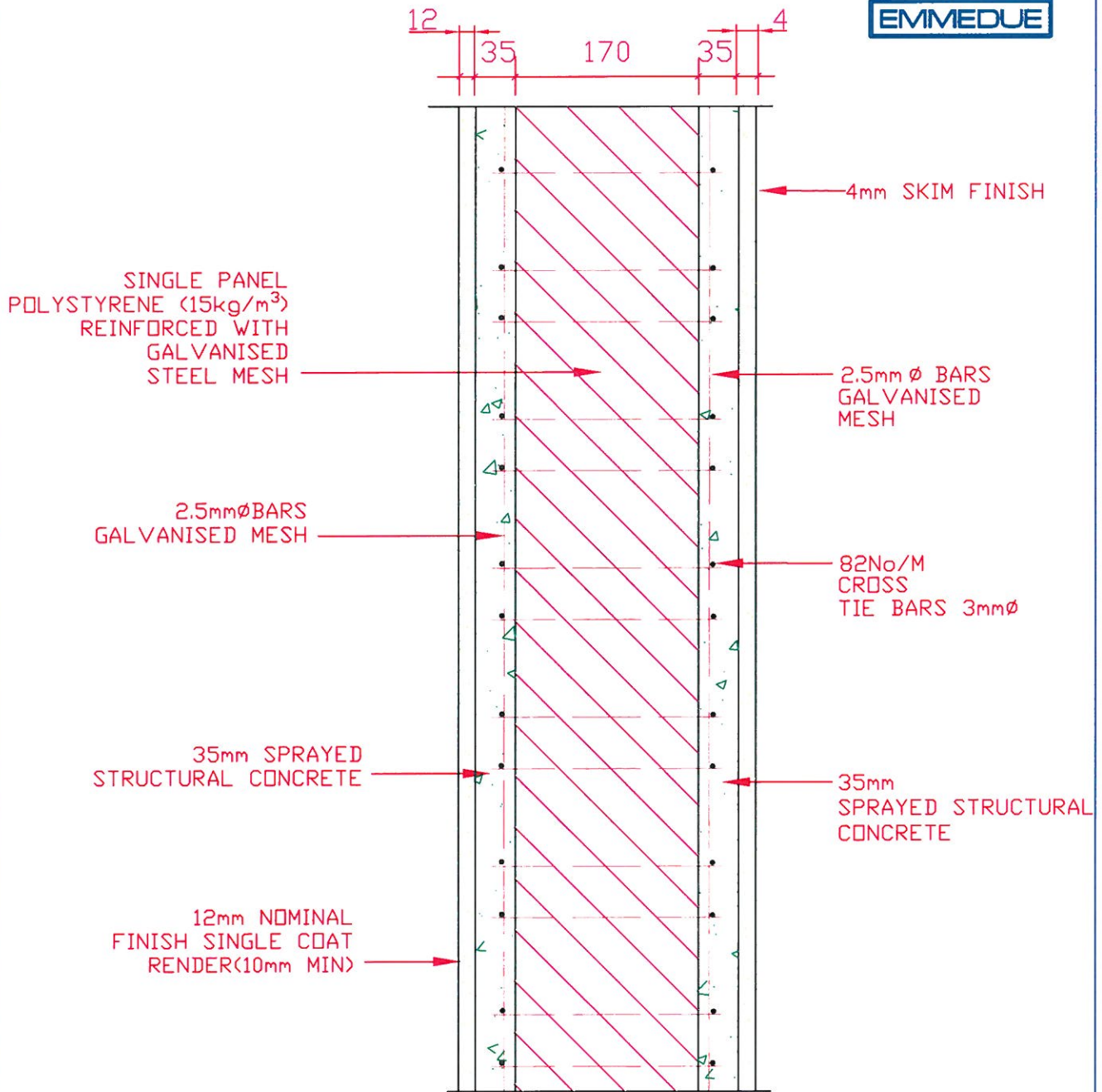


SECTION X-X
Multi-storey building
with double panel

SECTION Y-Y
Two storey building
with single panel

JOB TITLE STANDARD DETAILS				DRAWING TITLE BUILDING DETAILS			
JOB No 05/1869	DATE SEPT 05	DRAWN BY KK	CHECKED DATE	SCALE 1/100	DRAWING No. M2-001	APPROVED BY JL	REV. C



SINGLE PANEL



EMMEDUE M2, BOTLEY LANE, PORTARLINGTON,
Co. OFFALY. e-mail: info@m2ireland.com.
Ph NO: +353-502-45000, FAX: +353-502-45054.

JOB TITLE
STANDARD DETAILS

DRAWING TITLE
TYPICAL SECTION THROUGH SINGLE PANEL

JOB No
05/1869

DATE
SEPT 05

DRAWN BY
KK

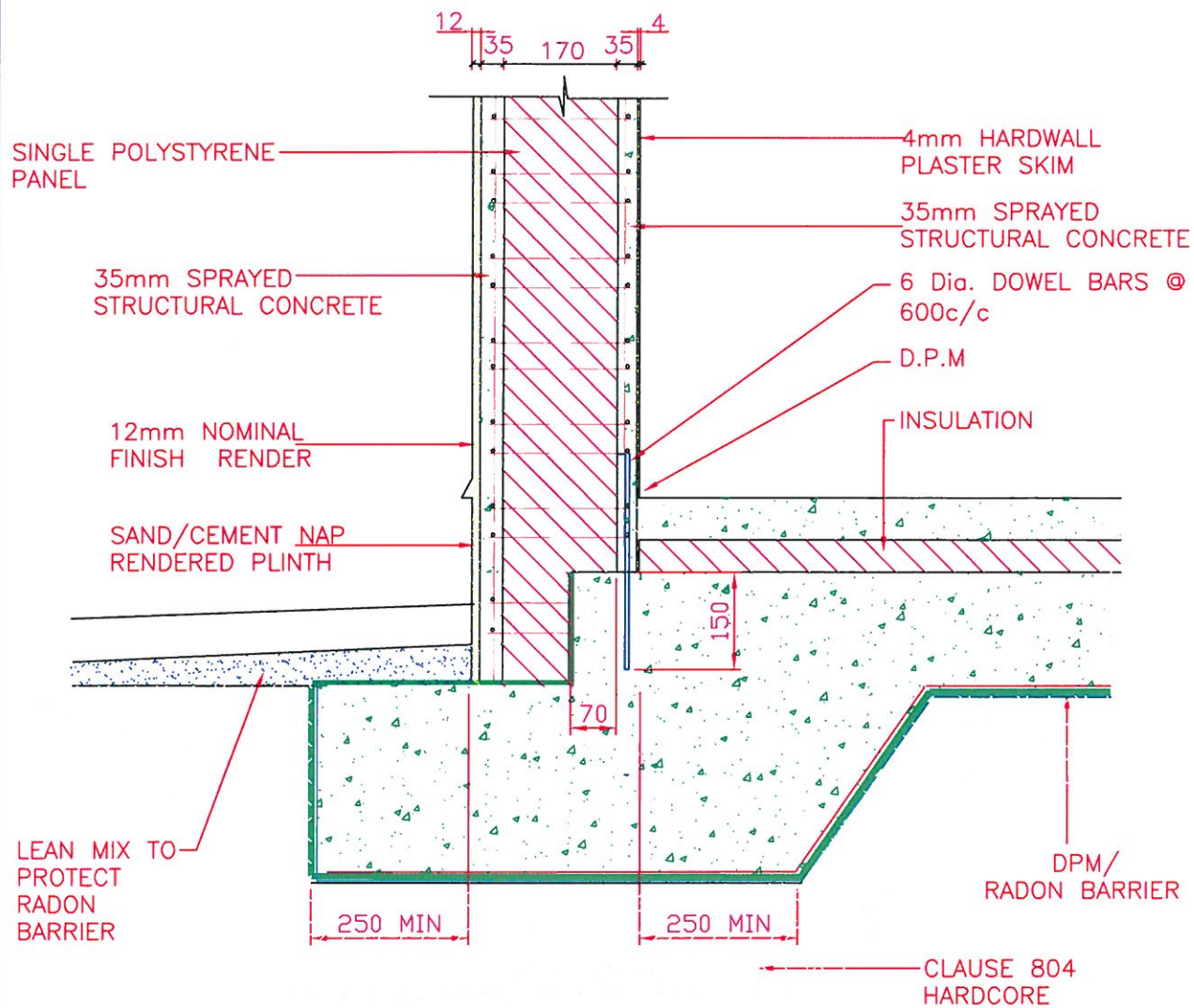
CHECKED DATE

SCALE
SEPT 05

DRAWING No.
M2-003

APPROVED BY
JL

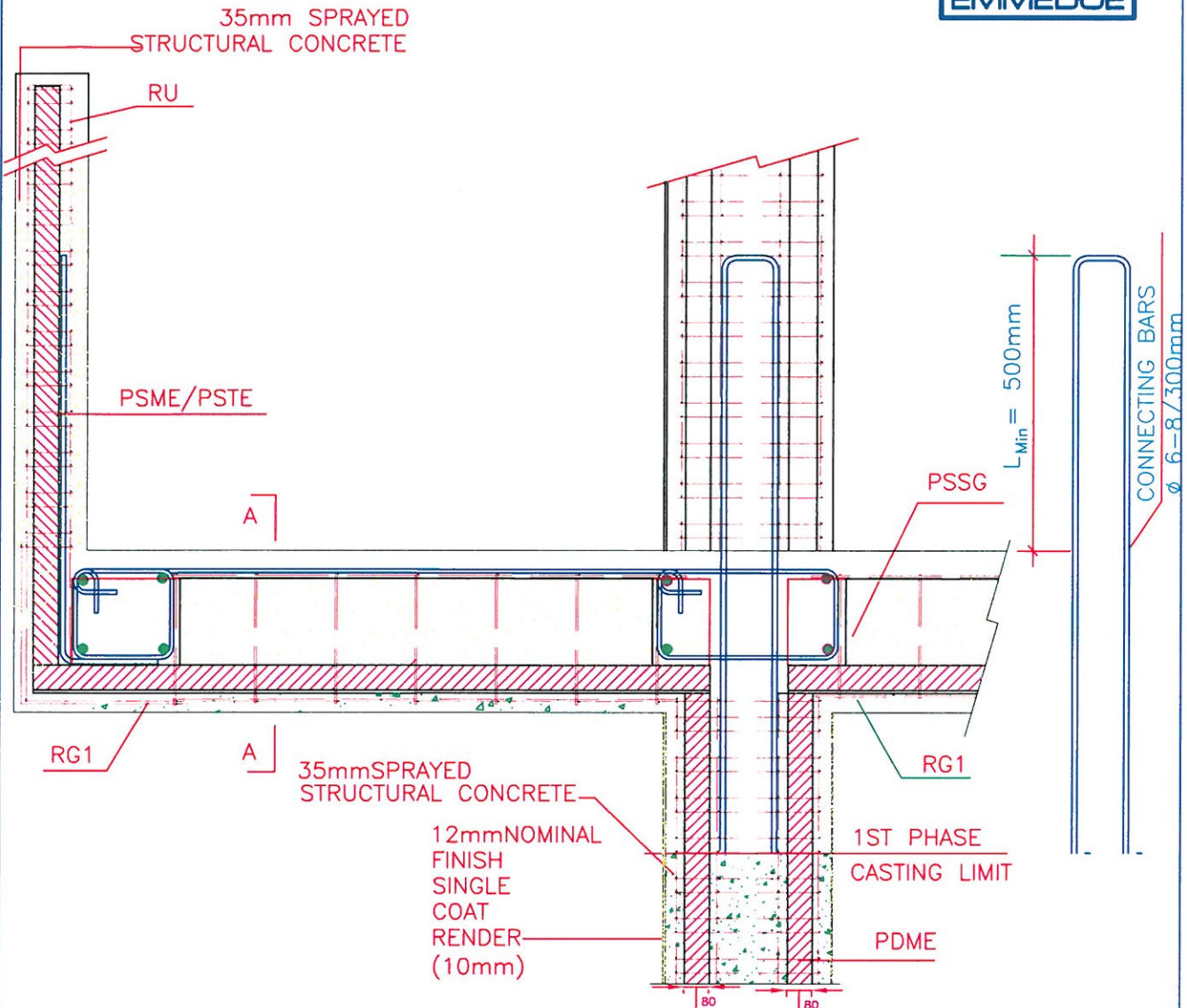
REV.
C



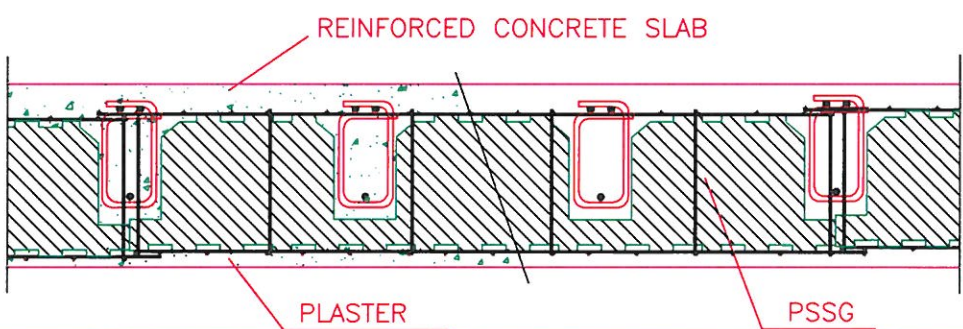
RAFT FOUNDATION DETAIL



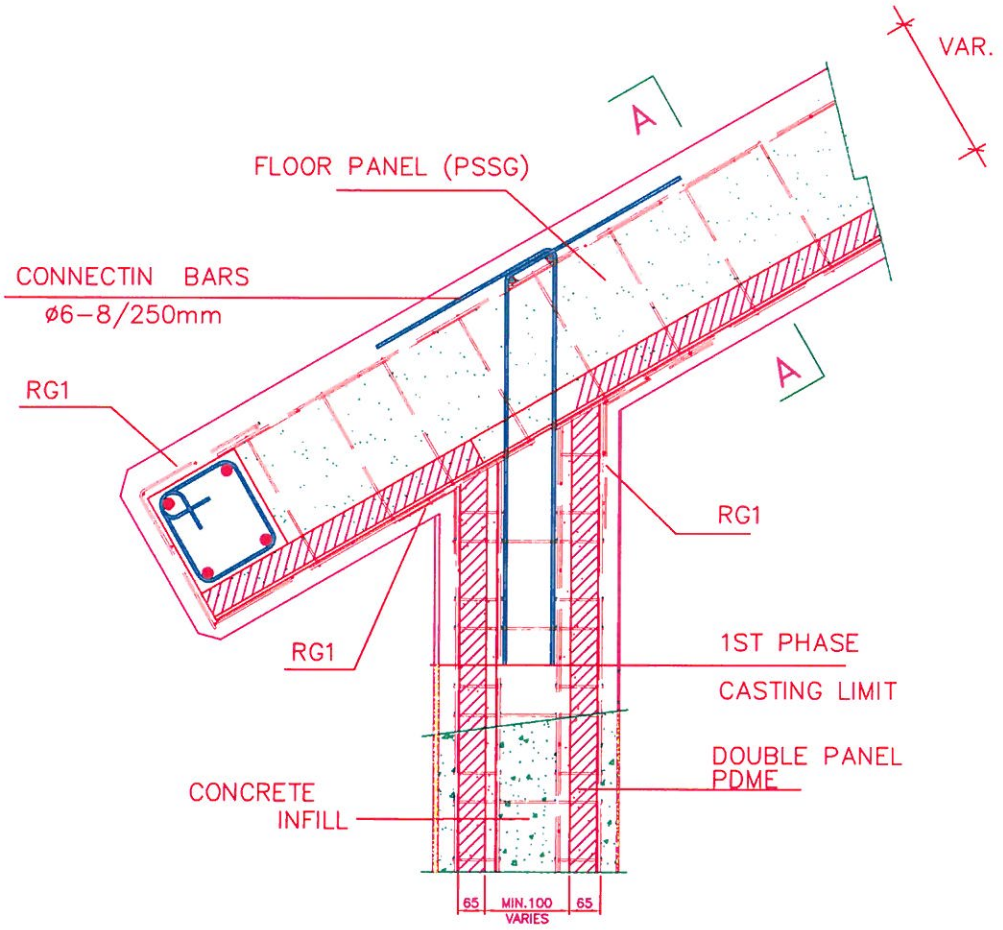
JOB TITLE STANDARD DETAILS			DRAWING TITLE RAFT FOUNDATION DETAIL				
JOB No 05/1869	DATE JAN 06	DRAWN BY KK	CHECKED DATE	SCALE 1/10	DRAWING No. M2-005	APPROVED BY JL	REV. C



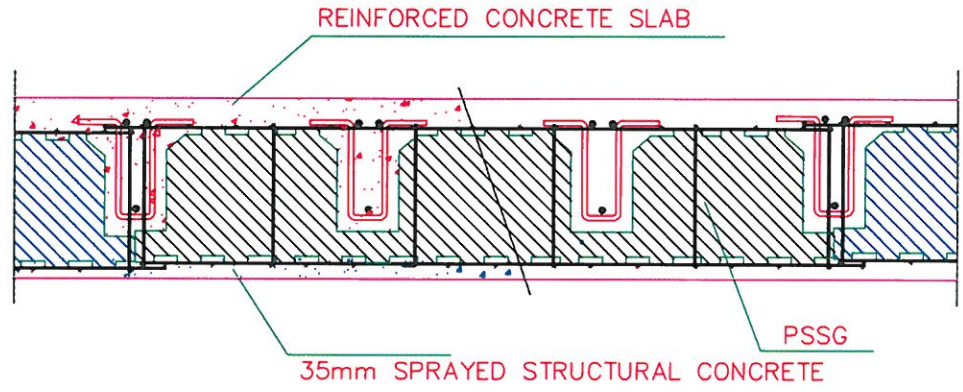
SECTION A-A



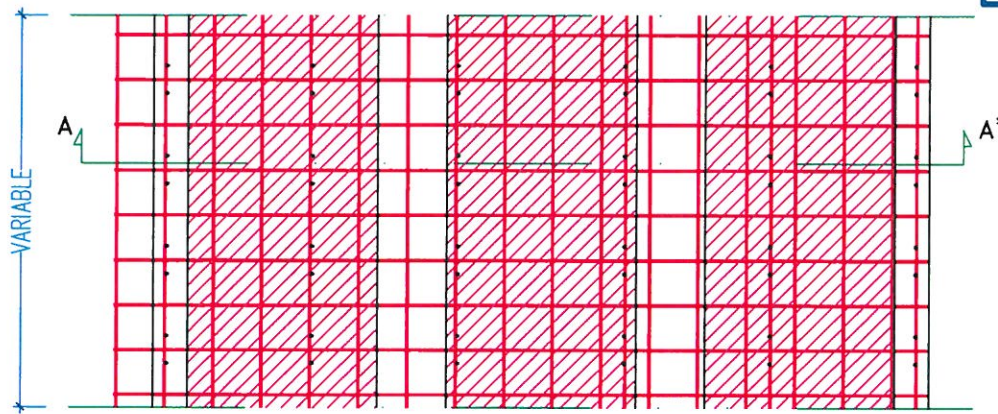
JOB TITLE STANDARD DETAILS		DRAWING TITLE BANCONY DETAIL -DOUBLE PANEL/FLOOR PANEL					
JOB No 05/1869	DATE OCT 05	DRAWN BY KK	CHECKED DATE	SCALE 1/10	DRAWING No. M-007	APPROVED BY JL	REV. C



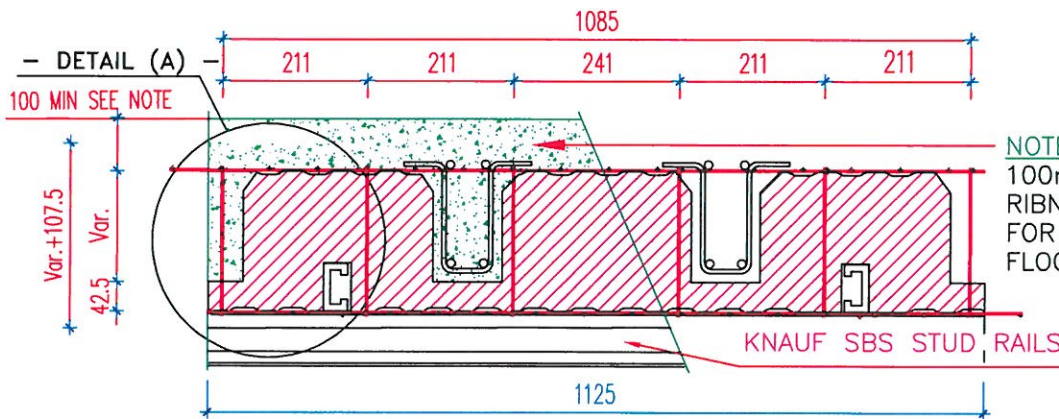
SECTION A-A



JOB TITLE STANDARD DETAILS				DRAWING TITLE DETAIL OF ROOFING FLOOR ANCHORING			
JOB No 05/1869	DATE DEC 05	DRAWN BY KK	CHECKED DATE	SCALE 1/10	DRAWING No. M2-09	APPROVED BY JL	REV. C

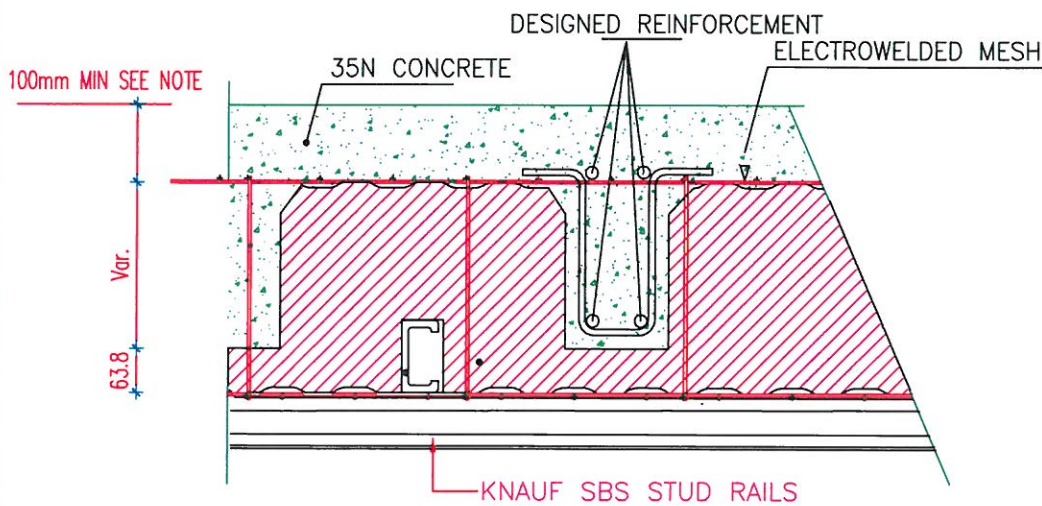


PLAN

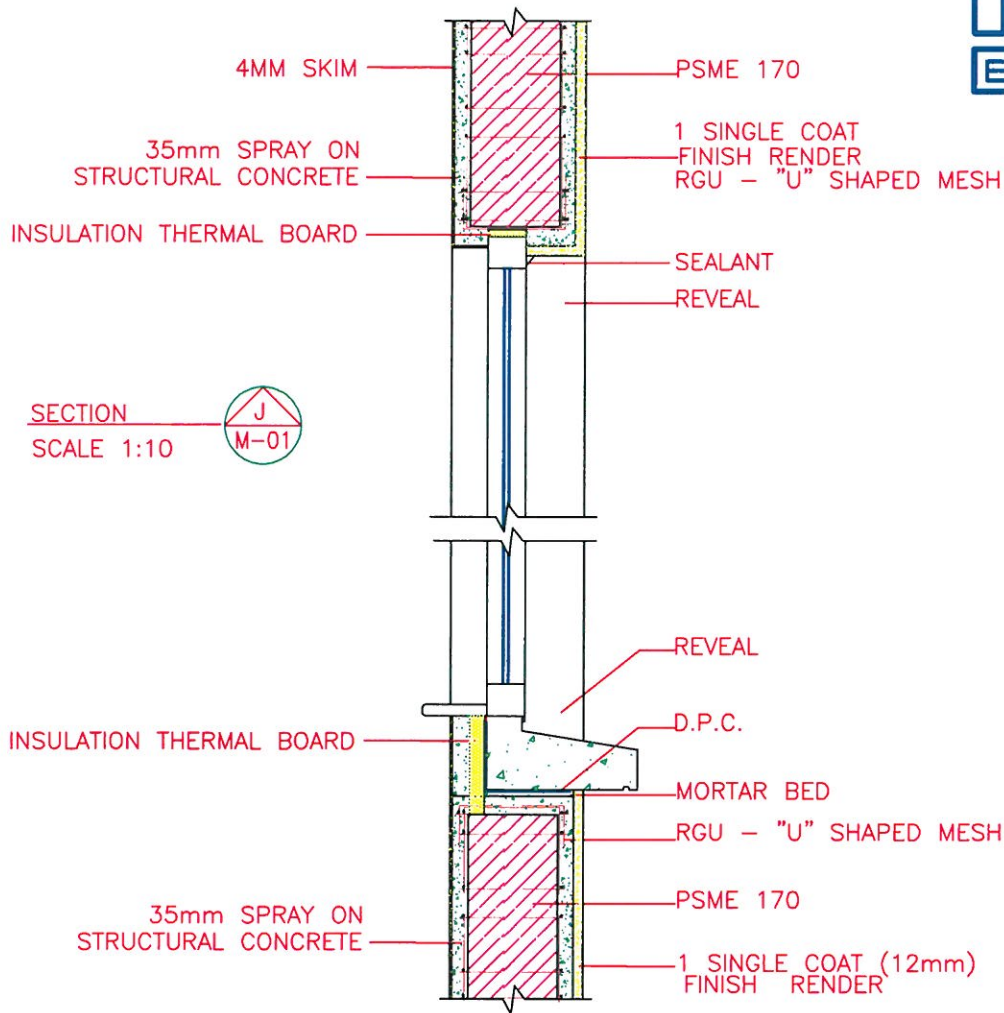


NOTE: MINIMUM 100mm OF CONCRETE RIB INCLUDING SCREED FOR COMPARTMENT FLOORS

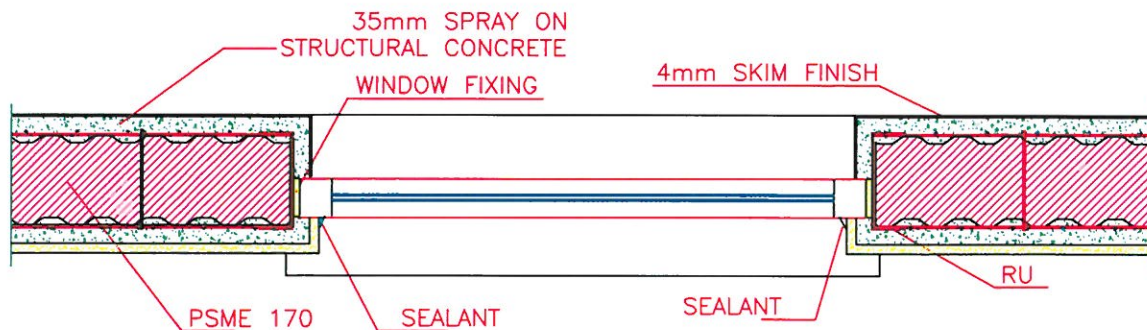
SECTION A-A'



JOB TITLE STANDARD DETAILS		DRAWING TITLE EMMEDUE FLOOR PANEL 3 POTS REINFORCED(PSSG3E)					
JOB No 05/1869	DATE NOV 05	DRAWN BY KK	CHECKED DATE	SCALE 1/10	DRAWING No. M2-11	APPROVED BY JL	REV. C

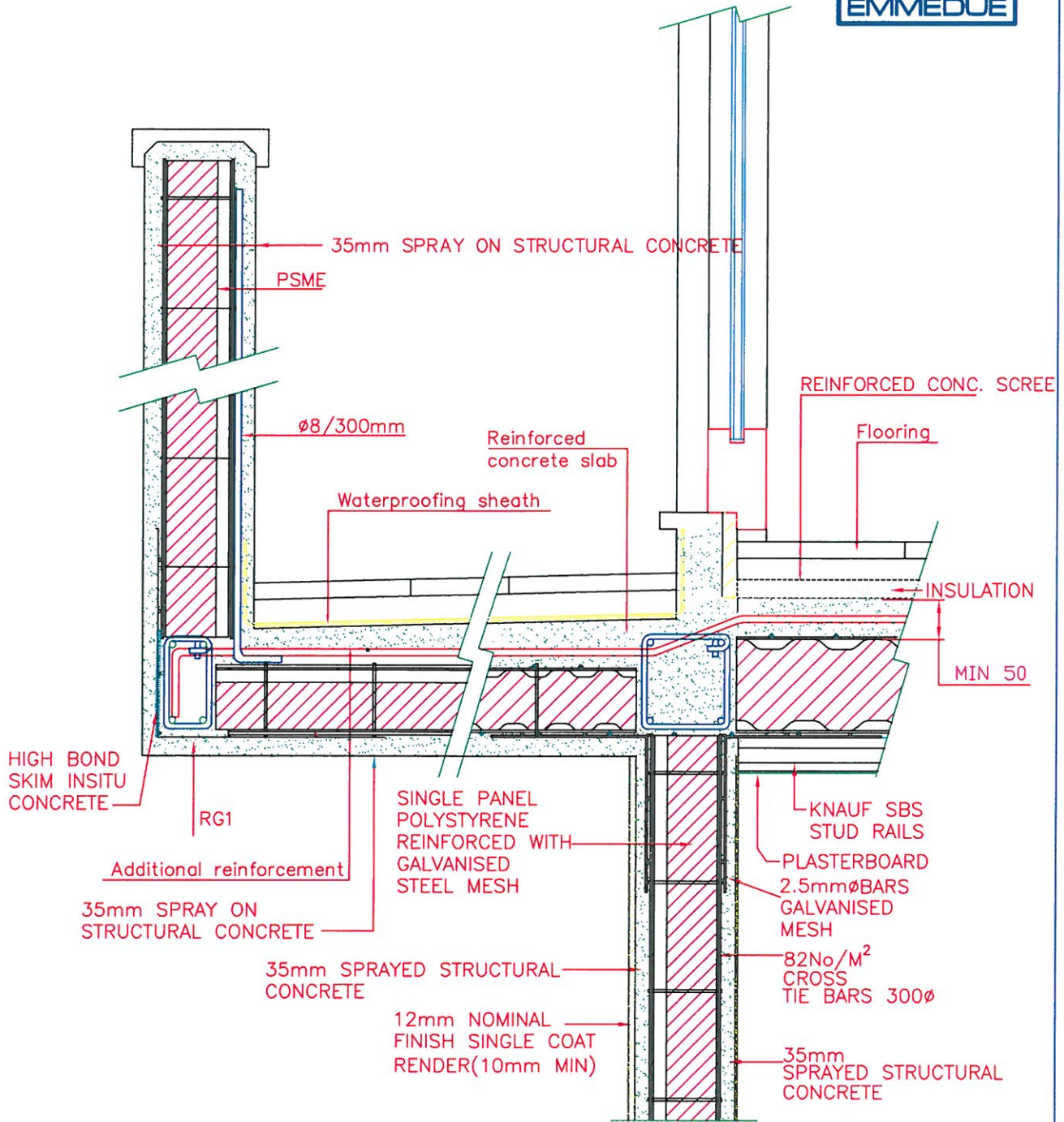


SECTIONAL PLAN



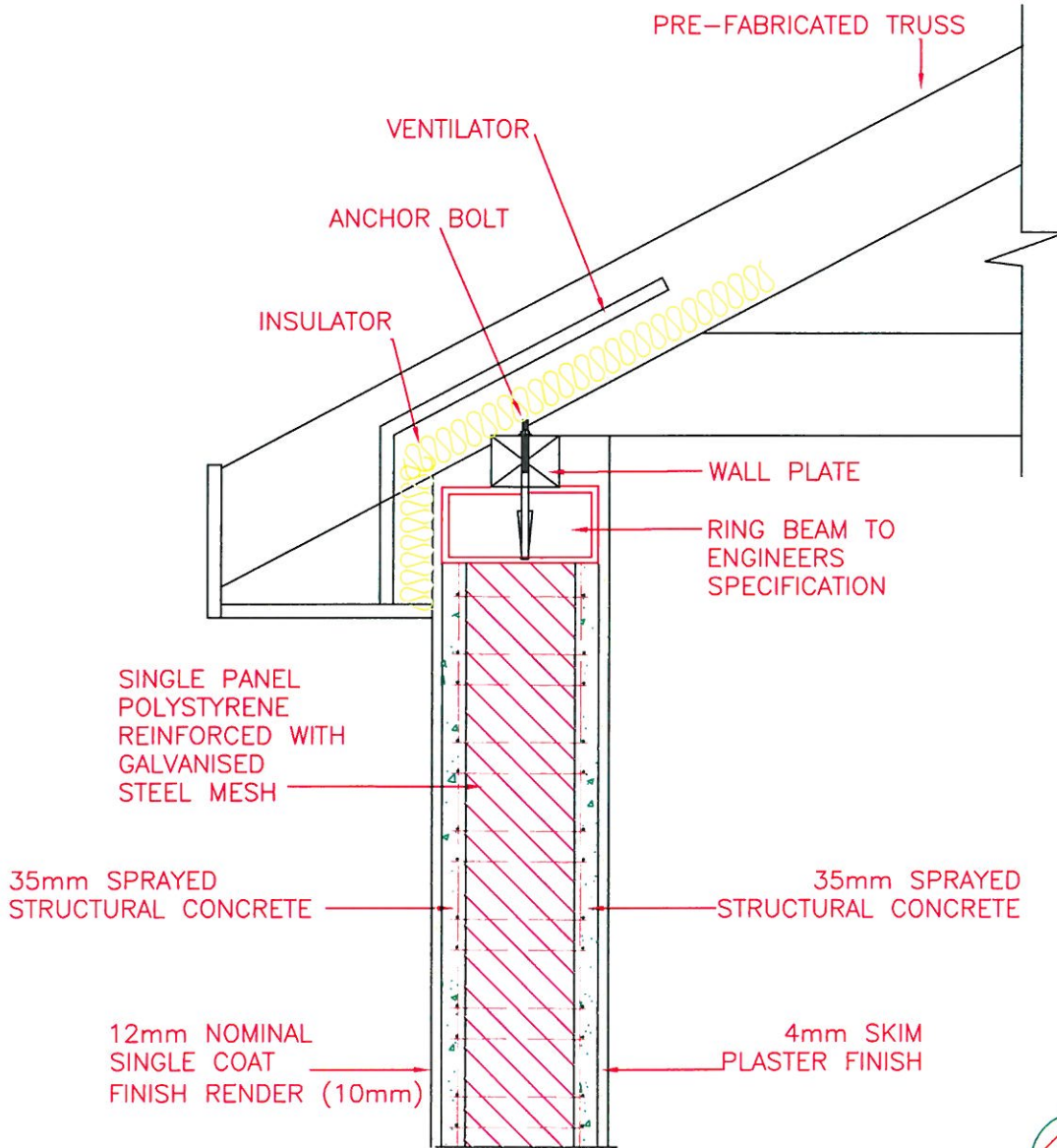
EMMEDUE M2, BOTLEY LANE, PORTARLINGTON,
Co. OFFALY. e-mail: info@m2ireland.com.
Ph NO: +353-502-45000, FAX: +353-502-45054.

JOB TITLE STANDARD DETAILS				DRAWING TITLE CILL DETAIL WITH SINGLE PANEL			
JOB No 05/1869	DATE SEPT 05	DRAWN BY KK	CHECKED DATE	SCALE 1/10	DRAWING No. M2-13	APPROVED BY JL	REV. C

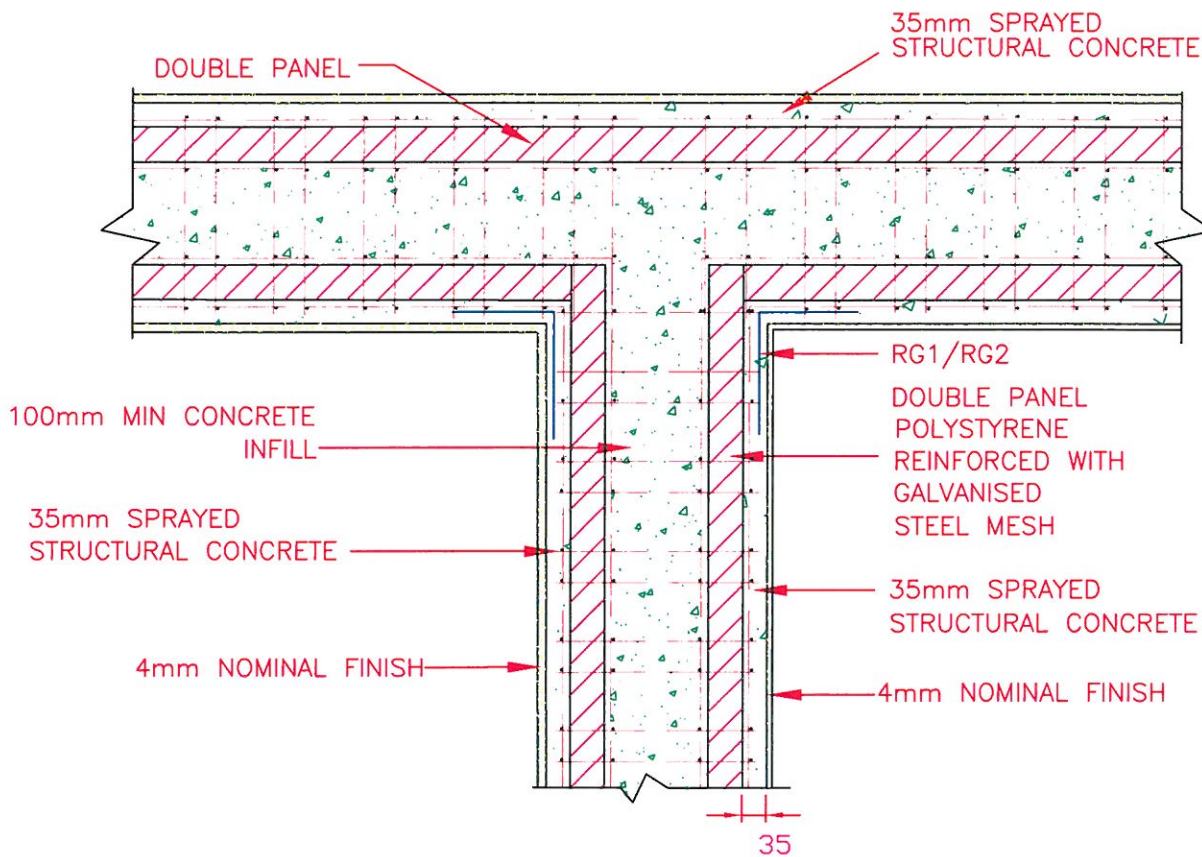


DETAIL OF BALCONY WITH PSME

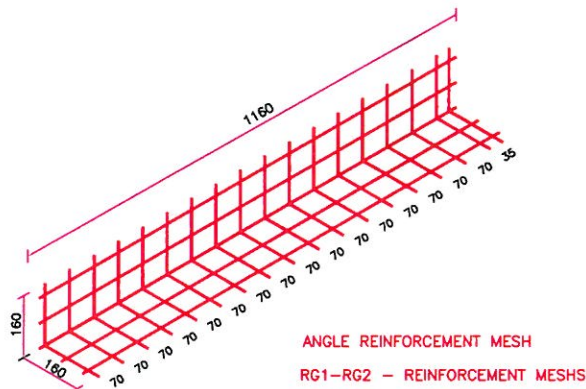
JOB TITLE STANDARD DETAILS				DRAWING TITLE DETAILS OF BALCONY WITH PSME			
JOB No 05/1869	DATE NOV 05	DRAWN BY KK	CHECKED DATE	SCALE 1/10	DRAWING No. M2-15	APPROVED BY JL	REV. C



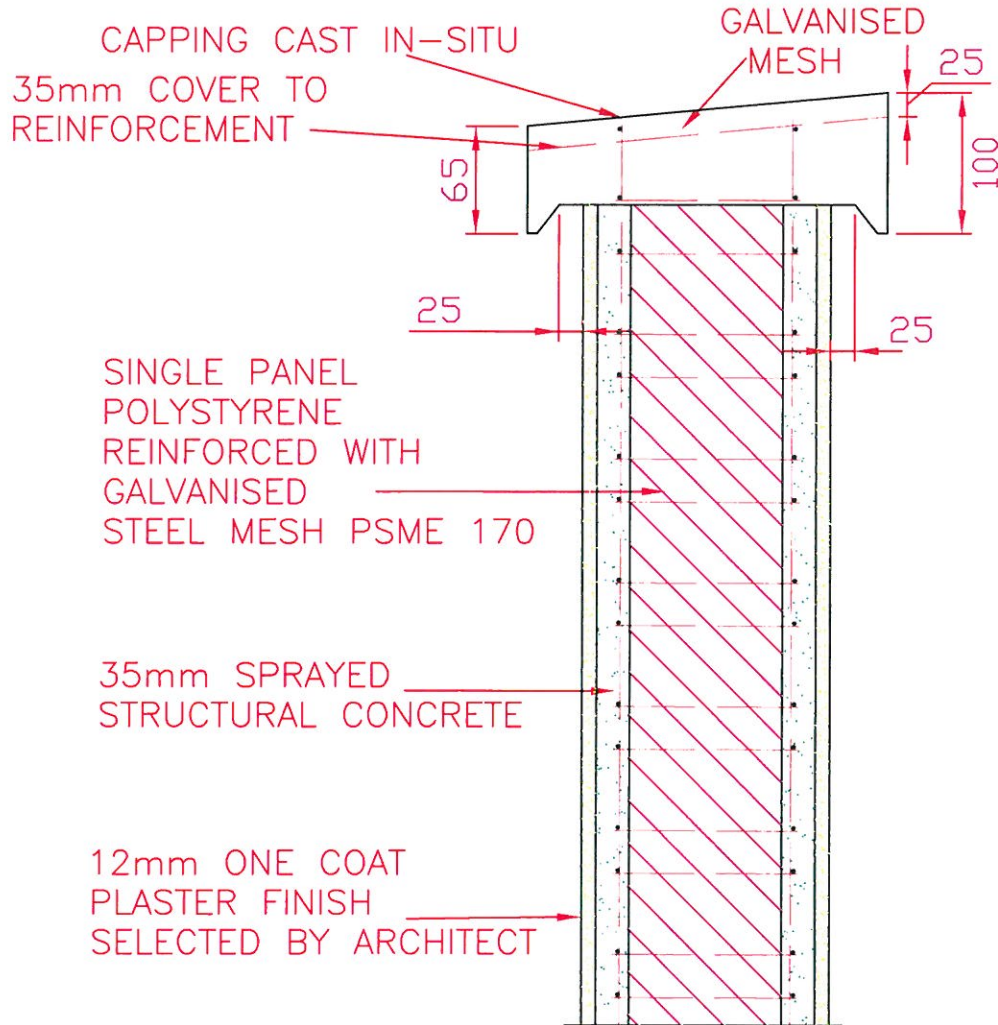
JOB TITLE STANDARD DETAILS				DRAWING TITLE SINGLE PANEL EAVES DETAIL			
JOB No 05/1869	DATE SEPT 05	DRAWN BY KK	CHECKED DATE	SCALE 1/10	DRAWING No. M2-017	APPROVED BY JL	REV. 0



PLAN ON PARTY WALL



JOB TITLE STANDARD DETAILS				DRAWING TITLE FIRE BREAK DETAILS-DOUBLE PANEL/DOUBLE PANEL			
JOB No 05/1869	DATE NOV 05	DRAWN BY KK	CHECKED DATE	SCALE 1/10	DRAWING No. M-019	APPROVED BY JL	REV. C

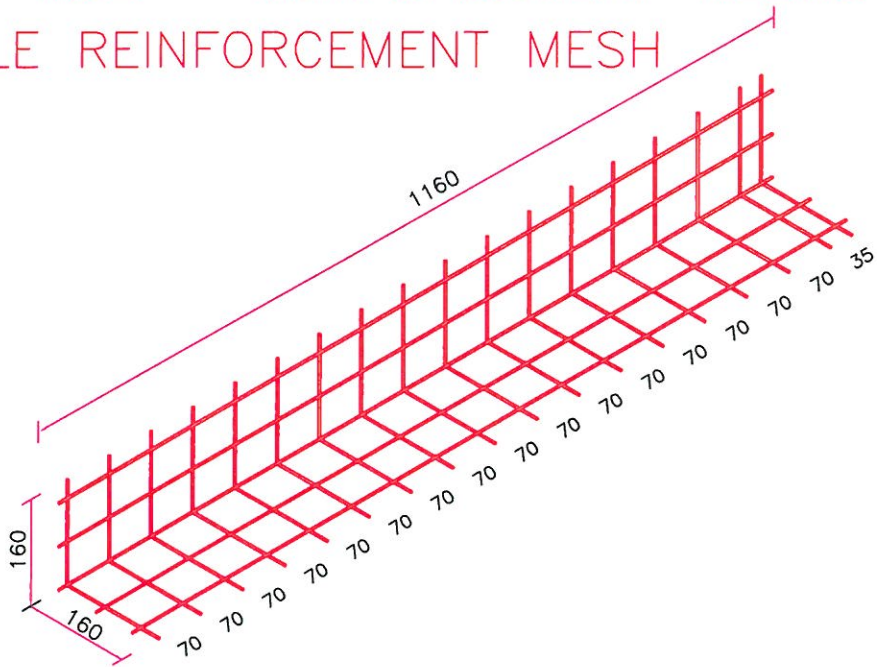


PANEL CAPPING DETAIL

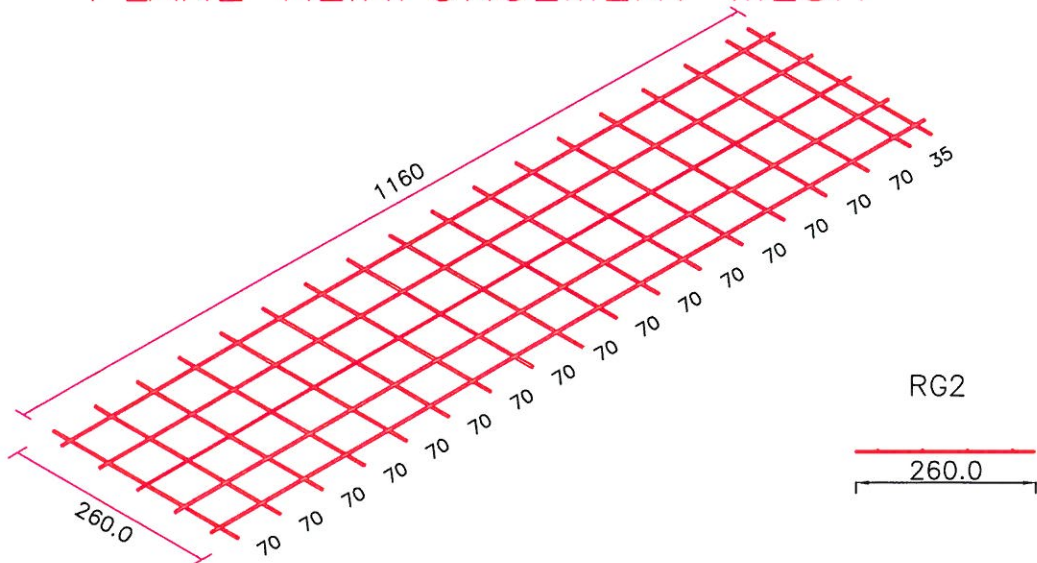
JOB TITLE STANDARD DETAILS				DRAWING TITLE PANEL CAPPING DETAIL			
JOB No 05/1869	DATE NOV 05	DRAWN BY KK	CHECKED DATE	SCALE 1/10	DRAWING No. M-21	APPROVED BY JL	REV. C



RG1-RG2 - REINFORCEMENT MESHES
ANGLE REINFORCEMENT MESH



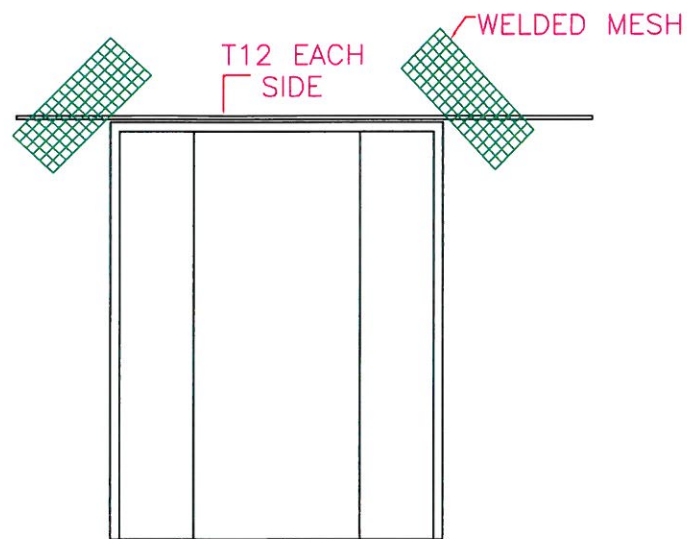
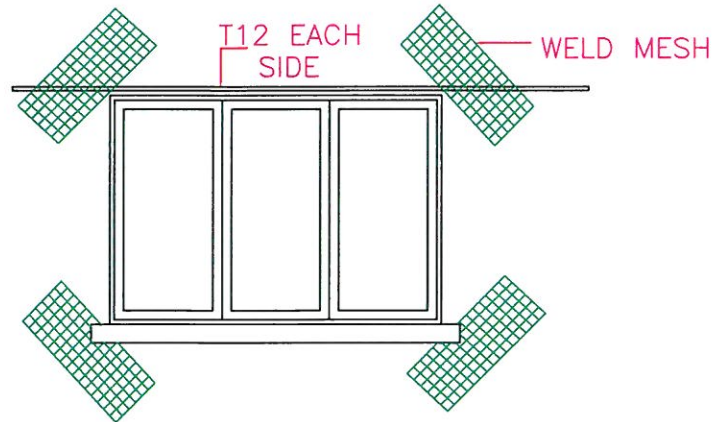
PLANE REINFORCEMENT MESH



EMMEDUE M2, BOTLEY LANE, PORTARLINGTON,
Co. OFFALY. e-mail: info@m2ireland.com.
Ph NO: +353-502-45000, FAX: +353-502-45054.

JOB TITLE STANDARD DETAILS			DRAWING TITLE TYPICAL SECTIONS OF MESH REINFORCEMENT					
JOB No 05/1869	DATE NOV 05	DRAWN BY KK	CHECKED	DATE	SCALE 1/10	DRAWING No. M-23	APPROVED BY JL	REV. C

WINDOW REINFORCEMENT DETAIL

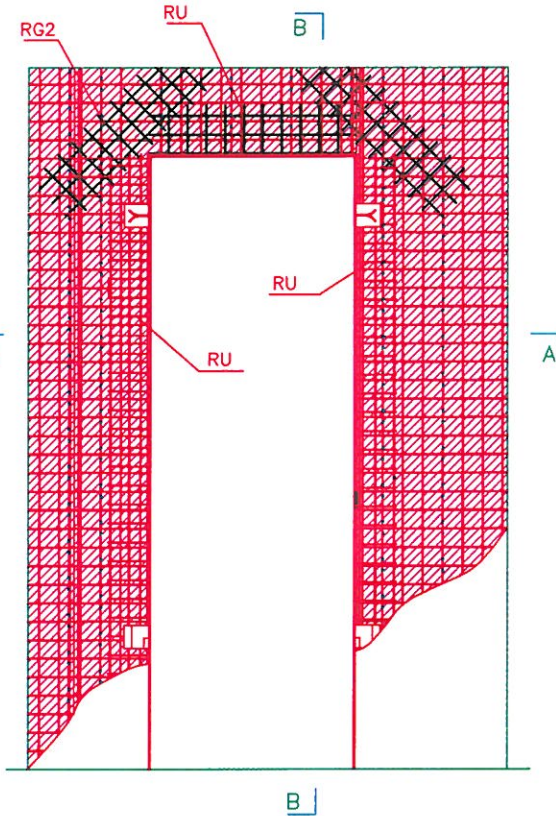


DOOR REINFORCEMENT DETAIL

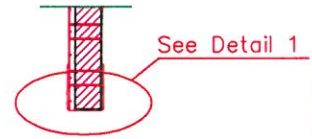
JOB TITLE STANDARD DETAILS				DRAWING TITLE WINDOW & DOOR REINFORCEMENT DETAIL			
JOB No 05/1869	DATE OCT 05	DRAWN BY KK	CHECKED DATE	SCALE 1/20	DRAWING No. M-025	APPROVED BY JL	REV. C



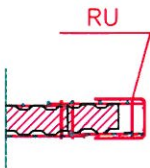
FRONTAL VIEW



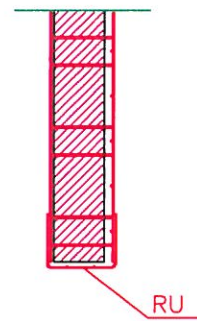
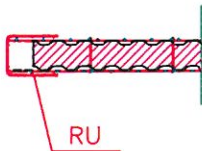
MESH DETAILS
 RGU - "U" SHAPED MESH
 RG1-RG2 - REINFORCEMENT MESHES
 (ANGLE REINFORCEMENT MESH)



SECTION B - B



SECTION A - A



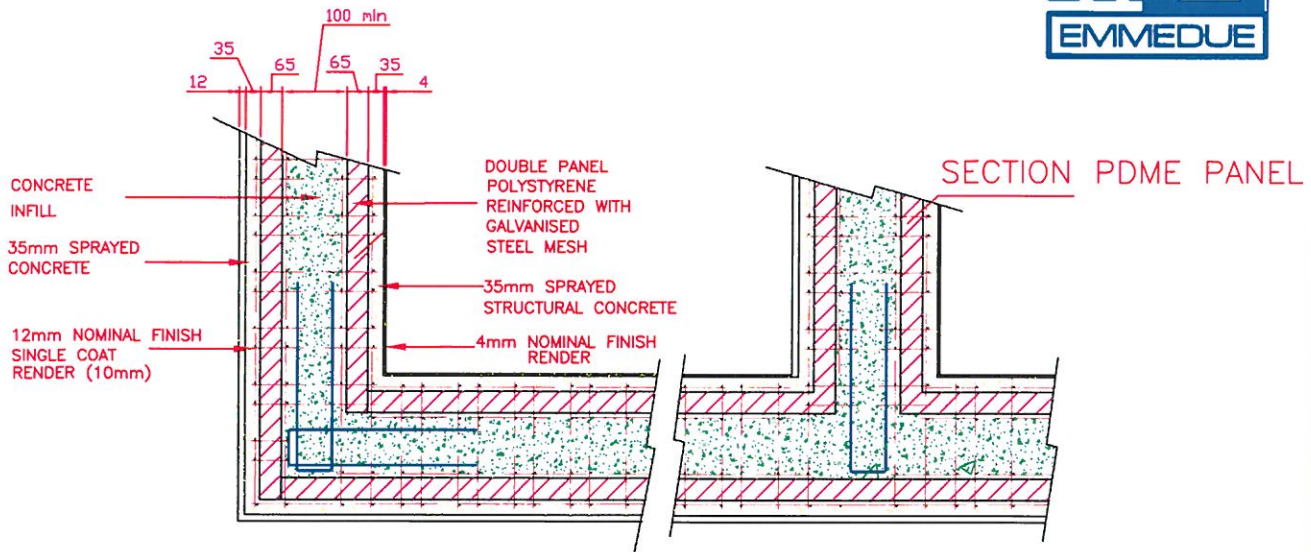
DETAIL 1

DETAIL OF DOORS (PSME)

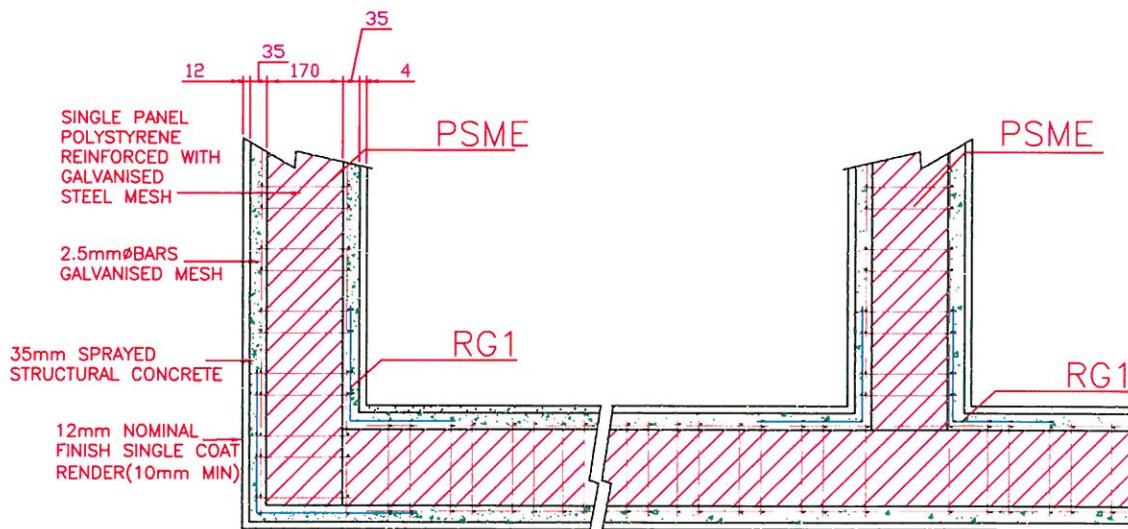


EMMEDUE M2, BOTLEY LANE, PORTARLINGTON,
 Co. OFFALY. e-mail: info@m2ireland.COM
 Ph NO: +353-502-45000, FAX: +353-502-45054.

JOB TITLE STANDARD DETAILS				DRAWING TITLE DETAILS OF DOORS REINFORCEMENT			
JOB No 05/1869	DATE NOV 05	DRAWN BY KK	CHECKED DATE	SCALE 1/10	DRAWING No. M2-27	APPROVED BY JL	REV. C



PANEL JOINTS (HORIZONTAL SECTION)



RG1-RG2 - REINFORCEMENT MESHES
ANGLE REINFORCEMENT MESH