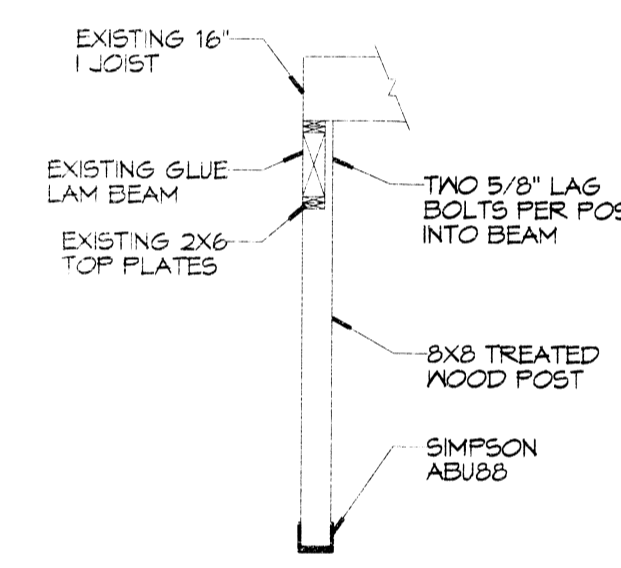
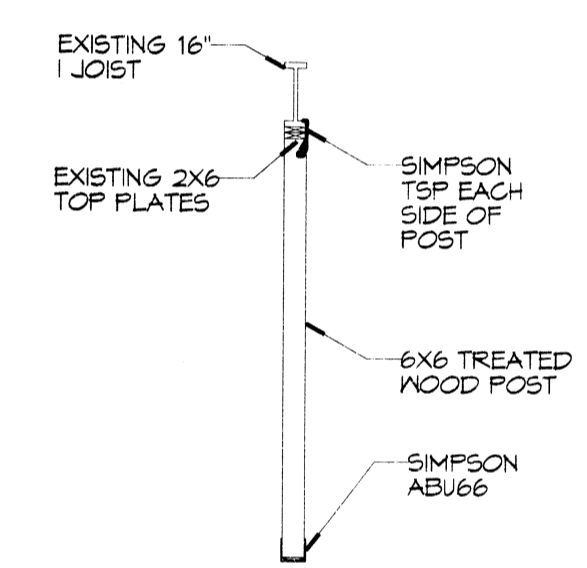


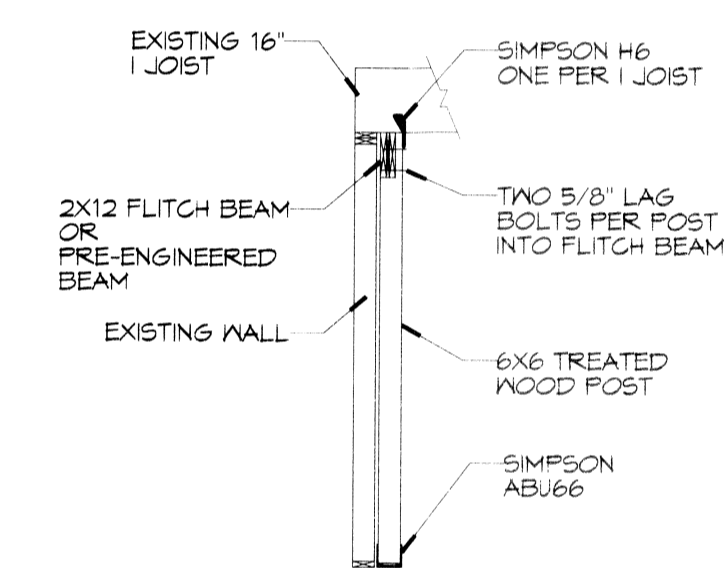
1 RETROFIT FOR GROUND FLOOR
 SCALE: 1/4" = 1'-0"



A SECTION
 SCALE: 1/4" = 1'-0"

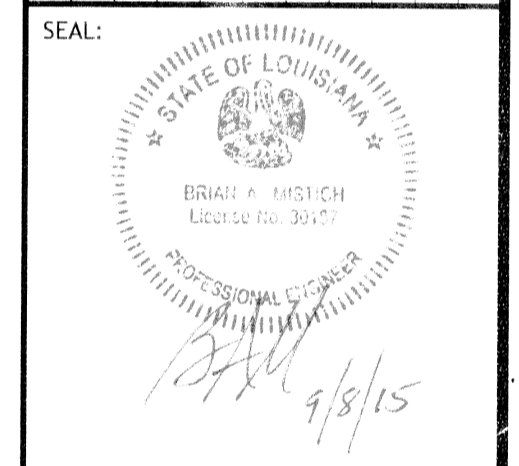


B SECTION
 SCALE: 1/4" = 1'-0"



C SECTION
 SCALE: 1/4" = 1'-0"

#	DESCRIPTION	DATE



RESIDENCE
 RICHARD
 DEYER

2099 CANELLA DRIVE
 SLIDELL, LOUISIANA 70458

JOB No: 2015 DATE: 04-20-15
 DRAWN BY: GCD CHECKED BY: BAM

SHEET TITLE:
 RETROFIT
 GROUND FLOOR

DRAWING NUMBER:
S101

SHEET No: of #