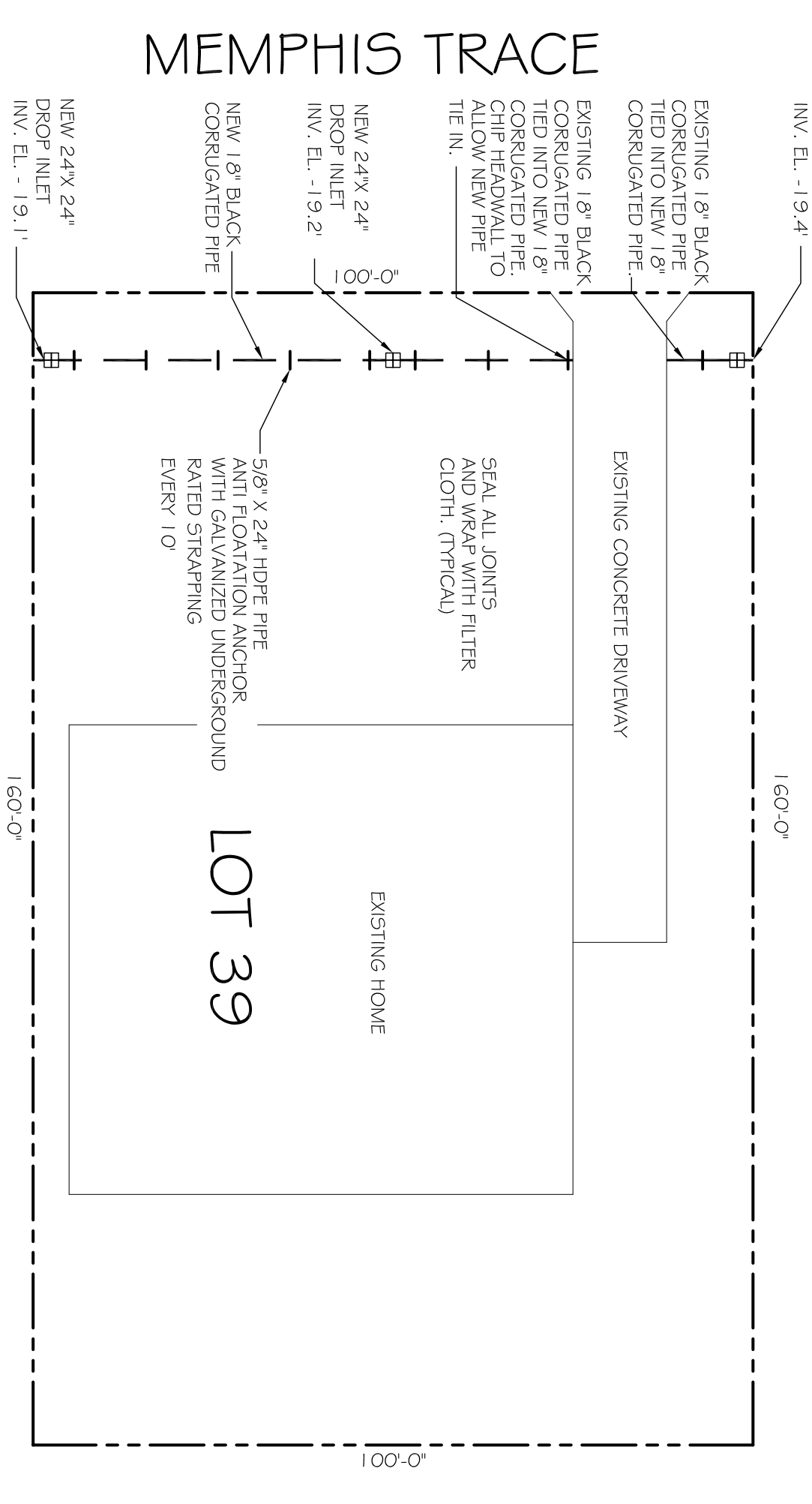
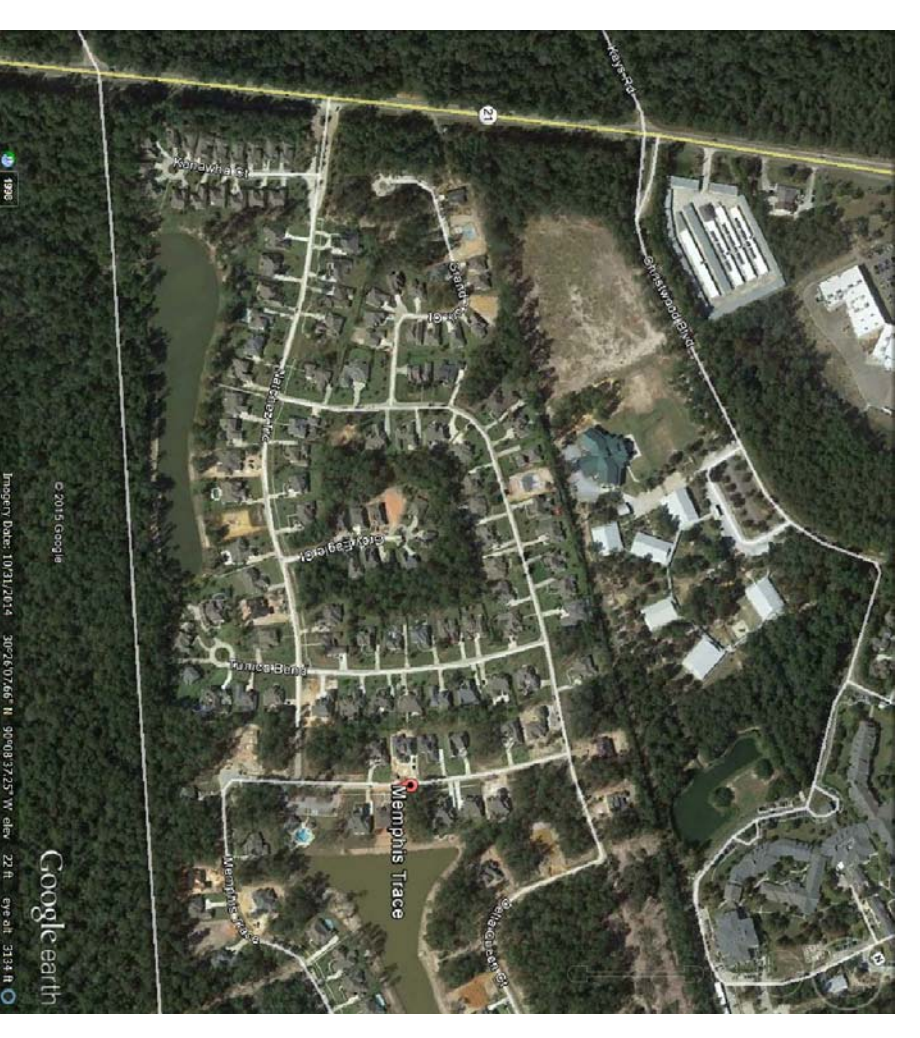


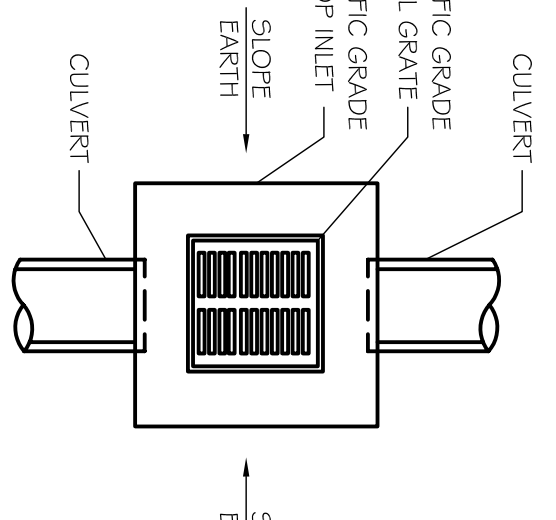
EXISTING SITE DRAINAGE PLAN
SCALE: 1"=20'-0"



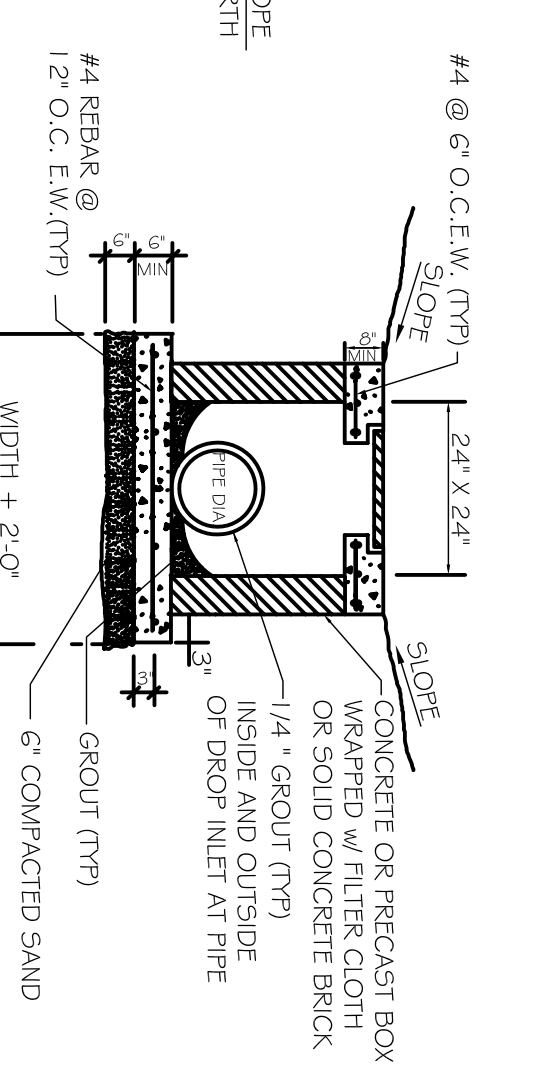
NEW SITE DRAINAGE PLAN
SCALE: 1"=20'-0"



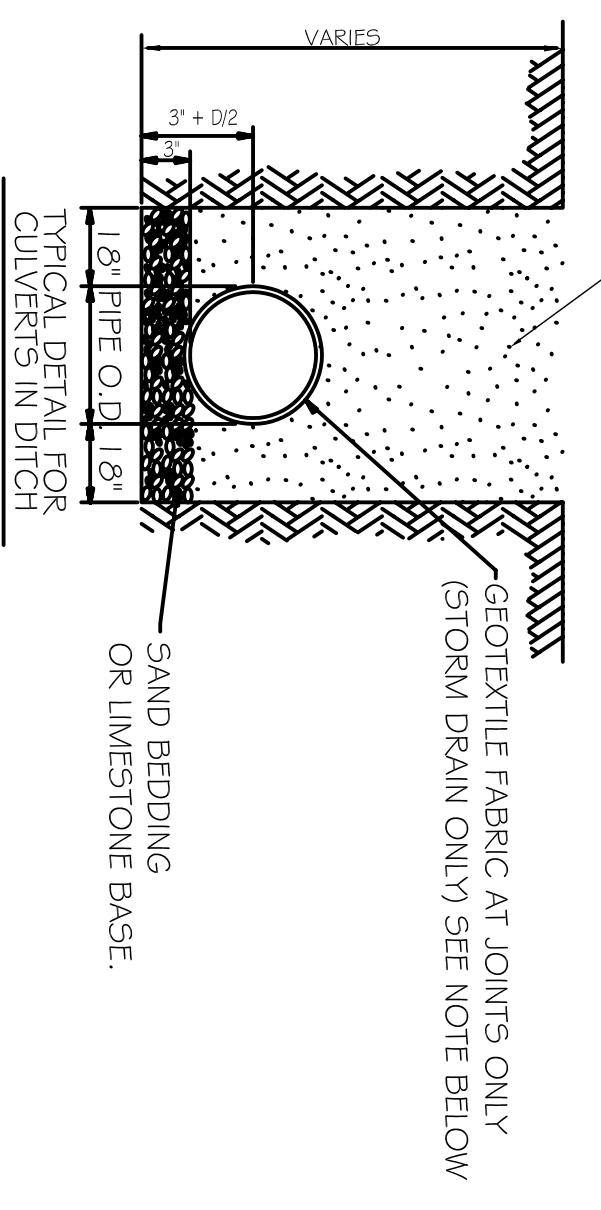
VICINITY SITE MAP
SCALE: N.T.S.



TYPICAL DROP INLET
N.T.S.



SECTION DROP INLET
N.T.S.



- NOTES:
1. ALL GEOTEXTILE FABRIC TO BE 3'-0" WIDE AND TO OVERLAP NO LESS THAN 1/2 OF PIPE DIAMETER.
2. ADDITIONAL BEDDING MATERIAL MAY BE REQUIRED AS DIRECTED BY THE FIELD ENGINEER.

- LEGEND
- - - PROPERTY LINE
- - - NEW 24" X 24" DROP INLET
- - - NEW 18" BLACK CORRUGATED CULVERT

MEMPHIS TRACE
COVINGTON LA

JOB No: 6302015 DATE: DRAWN BY: JTL CHECKED BY: CKD

100

1 OF 1

REVISIONS		
#	DESCRIPTION	DATE

DAMMON
ENGINEERING, INC.
Architects & Engineers

Chief Architect: Kevin J. Kinchen, NCARB
Chief Engineer: Brian Mistich, PE
554 Old Spanish Trail
Stidell, LA 70458

www.dammonengineering.com
info@dammonengineering.com
PH: 985.649.5832
F: 985.641.5950