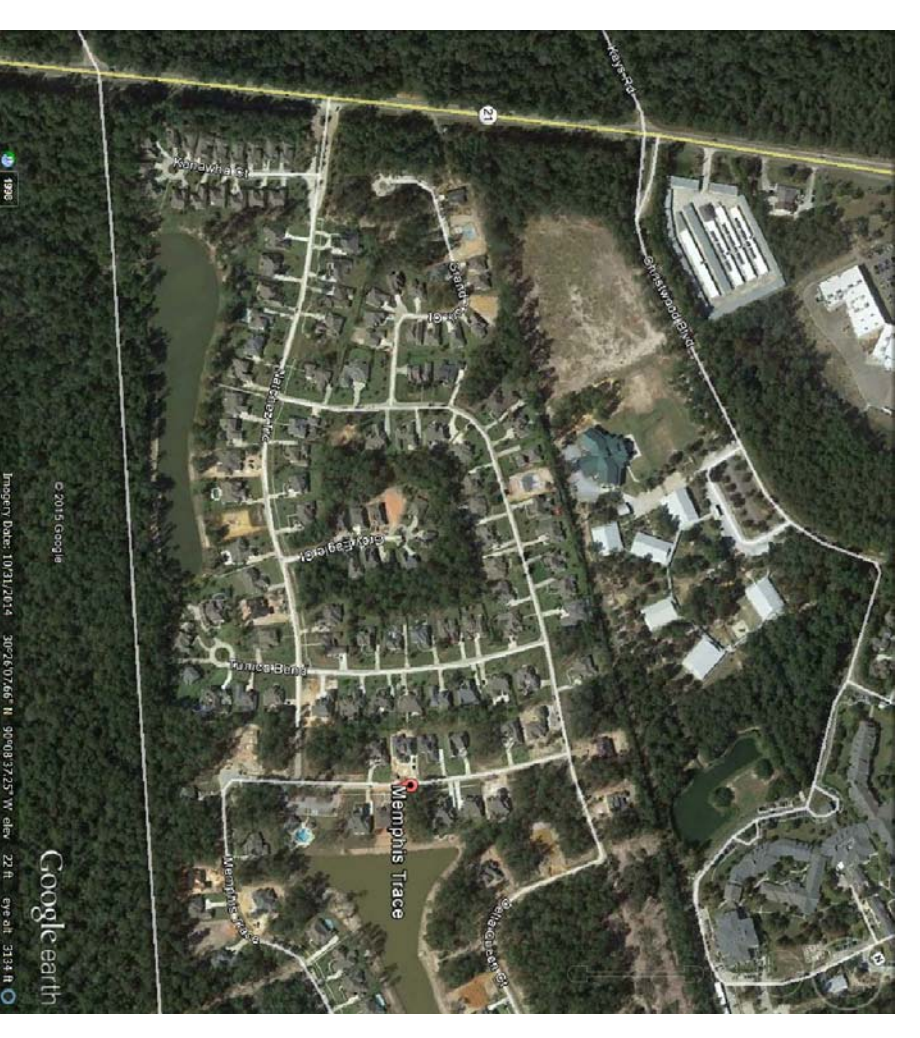
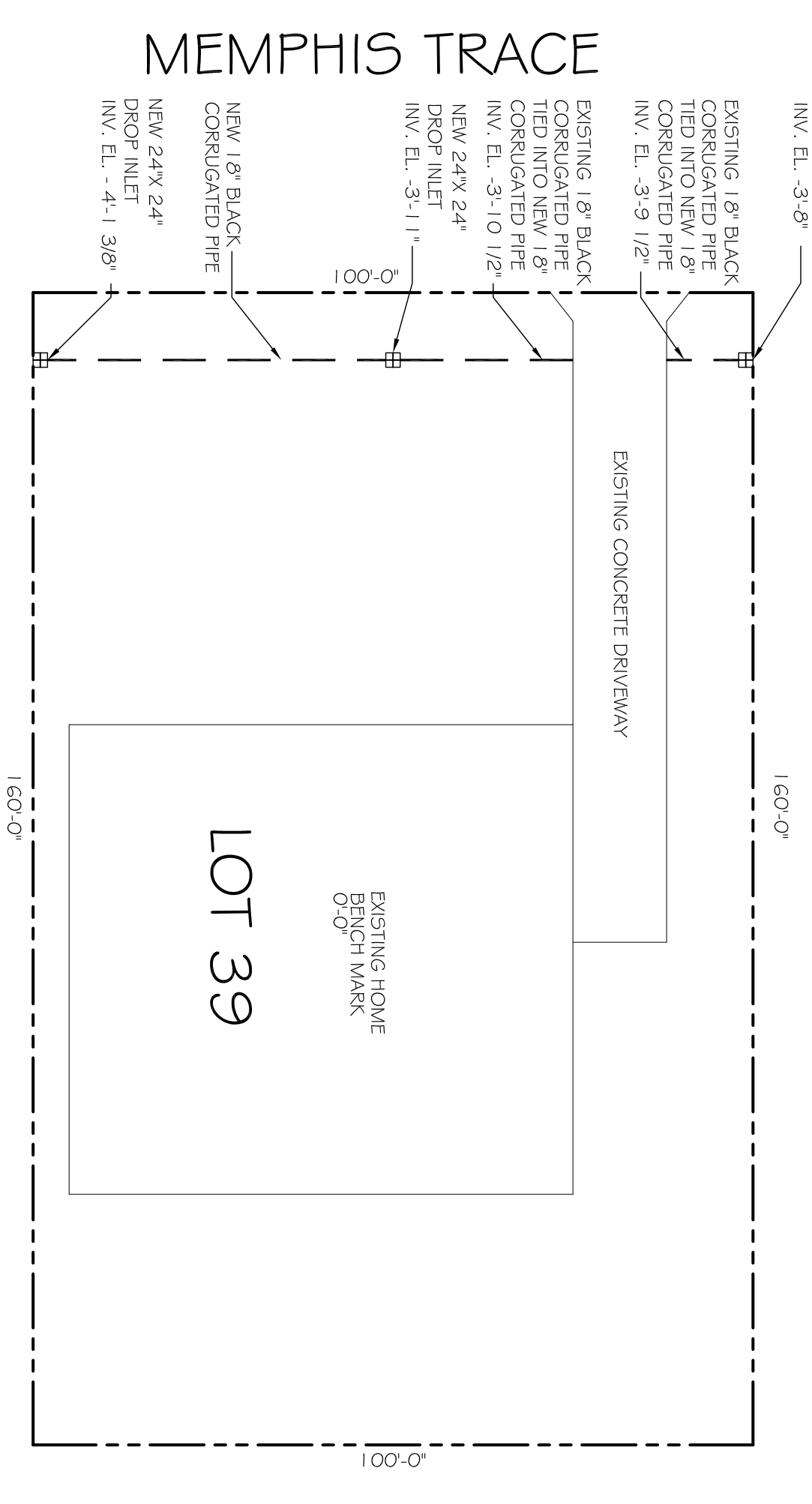


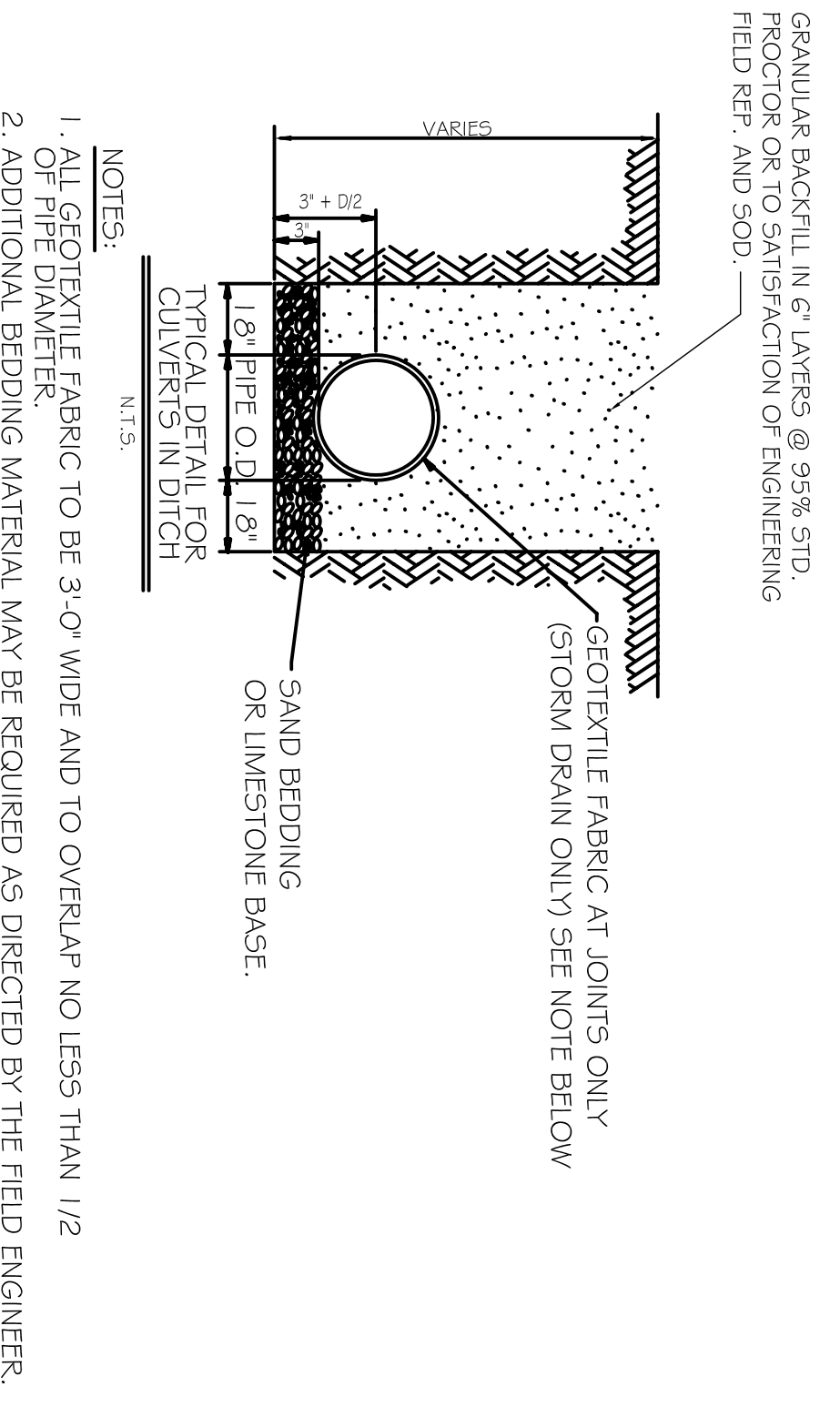
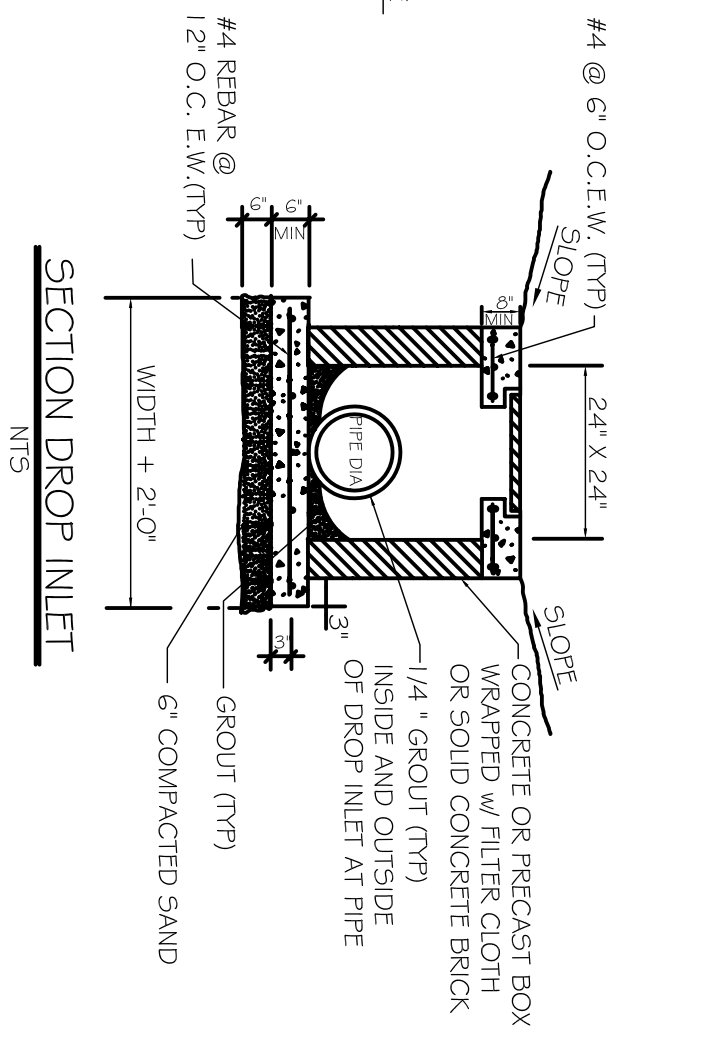
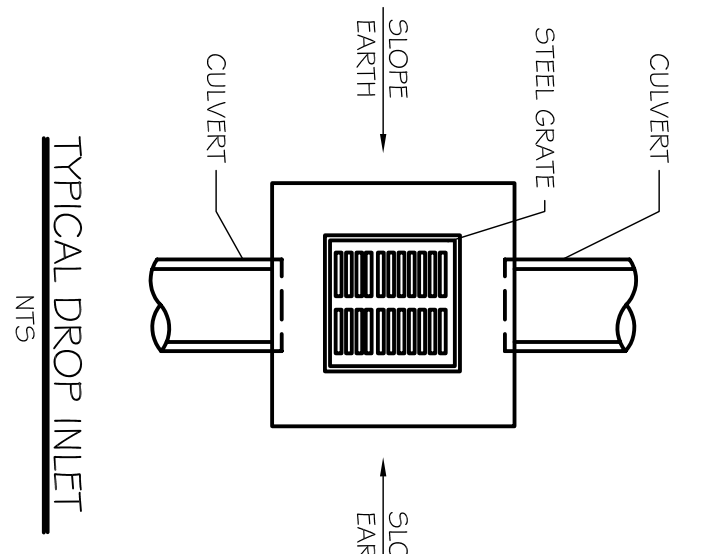
EXISTING SITE DRAINAGE PLAN
SCALE: 1"=20'-0"



VICINITY SITE MAP
SCALE: N.T.S.



NEW SITE DRAINAGE PLAN
SCALE: 1"=20'-0"



- NOTES:
1. ALL GEOTEXTILE FABRIC TO BE 3'-0" WIDE AND TO OVERLAP NO LESS THAN 1/2" OF PIPE DIAMETER.
 2. ADDITIONAL BEDDING MATERIAL MAY BE REQUIRED AS DIRECTED BY THE FIELD ENGINEER.

DAMMON ENGINEERING, INC.
Architects & Engineers

Chief Architect: Kevin J. Kinchen, NCARB
Chief Engineer: Brian Mistich, PE
554 Old Spanish Trail
Slidell, LA 70458

www.dammoneengineering.com
info@dammoneengineering.com
PH: 985.649.5832
F: 985.641.5950

REVISIONS		DATE
#	DESCRIPTION	



MEMPHIS TRACE
COVINGTON LA

JOB No: 6302015 DATE:

DRAWN BY: JTL CHECKED BY: CKD

The above drawings and specifications, design and engineering information herein are and shall remain the property of Dammon Engineering, and no part thereof shall be copied, reproduced or used in connection with any work or project other than that specifically intended for which they have been prepared and developed without written consent of Dammon Engineering. Field contact with these drawings, specifications and computer generated information is prohibited.

SHEET TITLE:
NEW DRAINAGE PLAN

DRAWING NUMBER:
e100

SHEET No: 1 OF 1