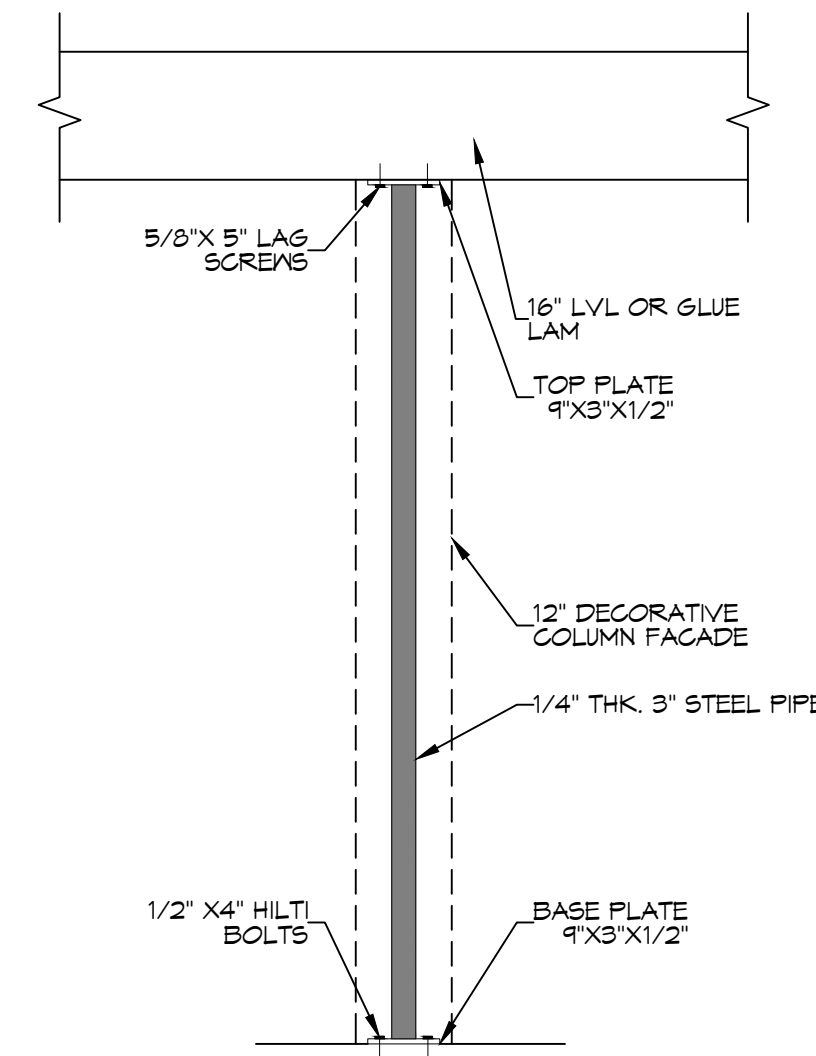
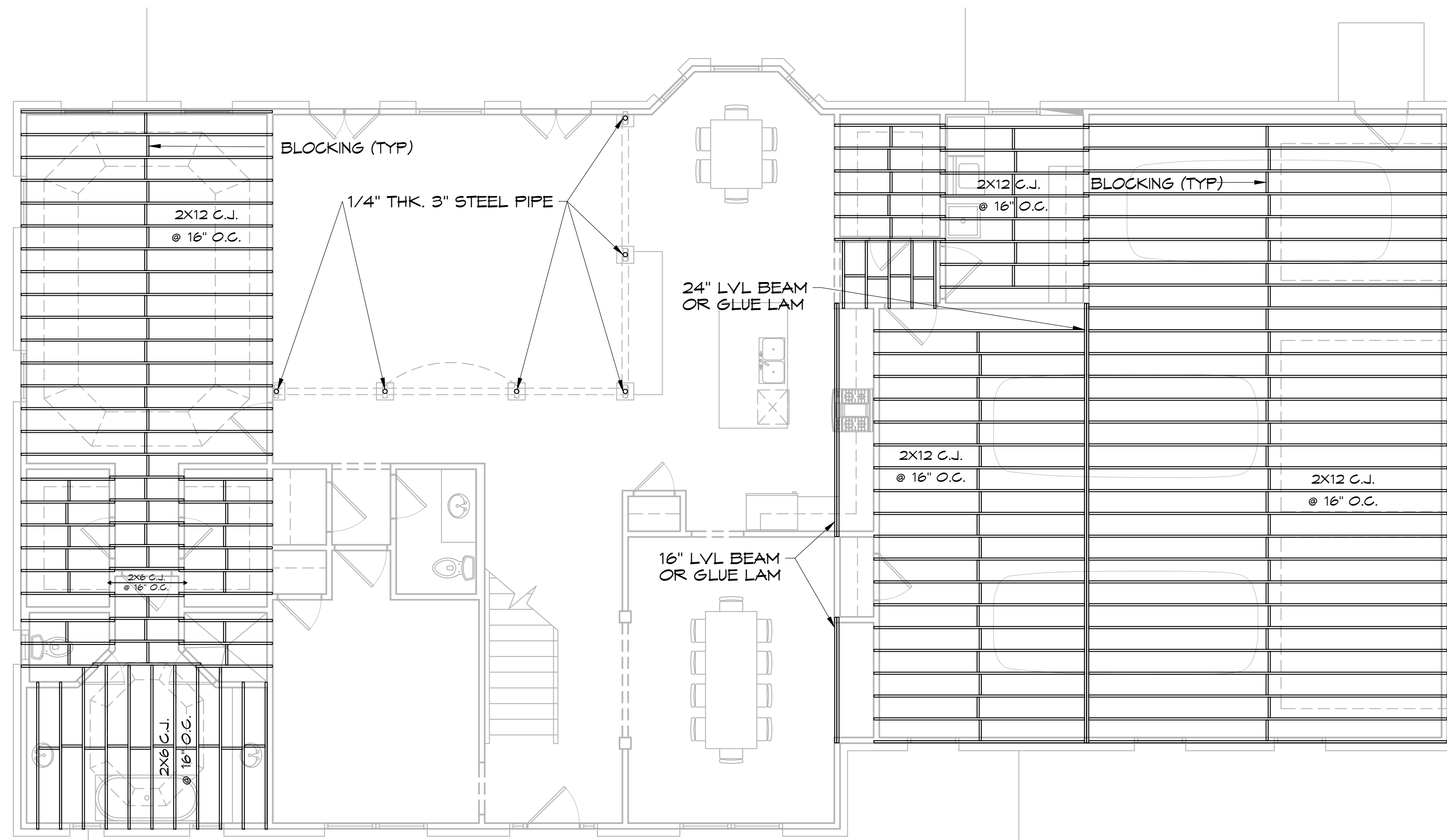


**4 FLOOR FRAMING PLAN**  
SCALE: 3/16" = 1'-0"

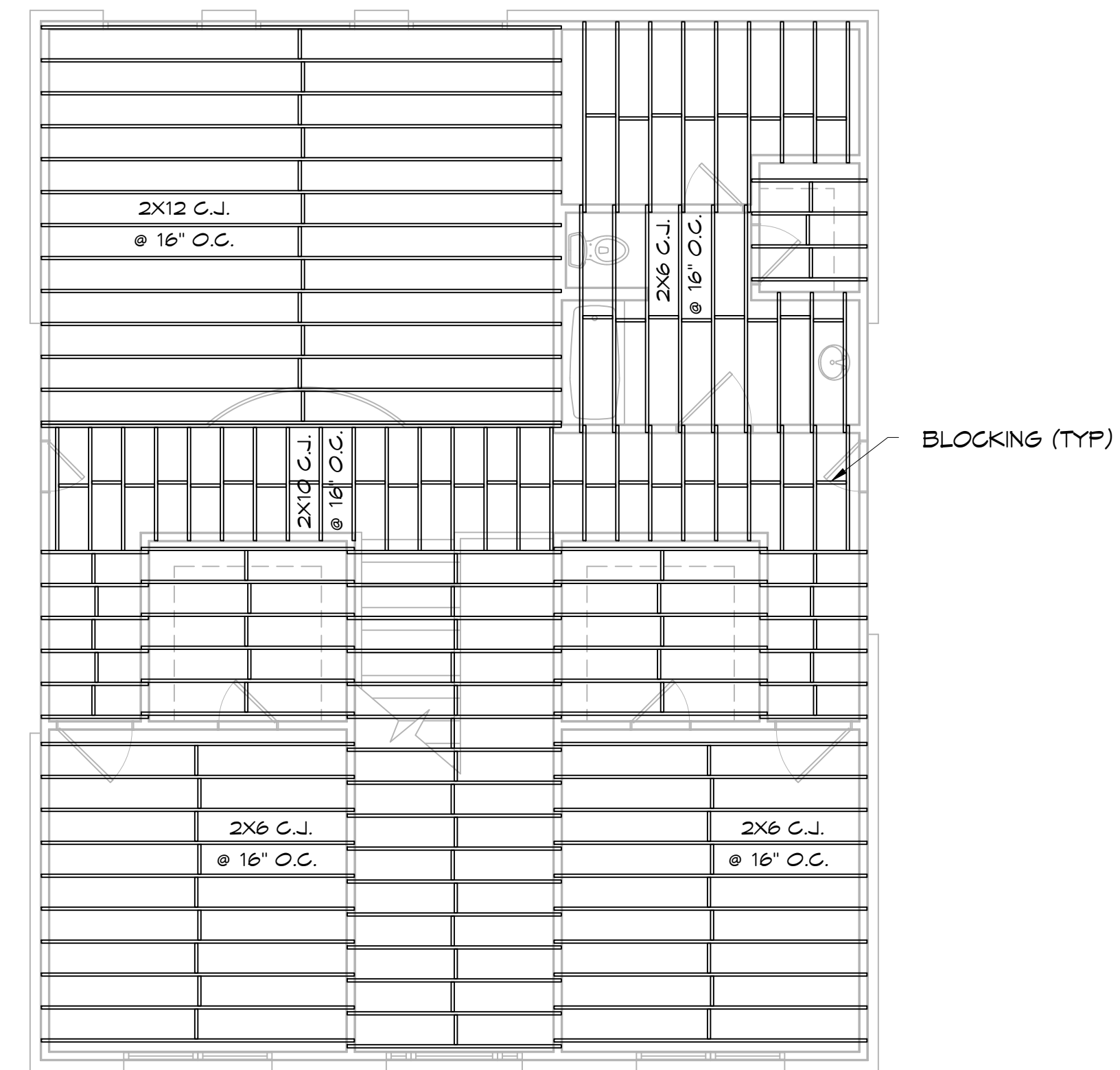


**G INTERIOR COLUMN DETAIL**  
SCALE: N.T.S.

- ROOF NOTES**
1. ALL JOIST SPANS, HEADERS AND GIRDERS REVIEWED AS #2 SOUTHERN YELLOW PINE.
  2. ANY CHANGES IN THE SPECIES OR GRADE SHALL CONFORM TO THE APPROPRIATE SPAN TABLES, FLOOR JOIST CHAPTER 5, RAFTERS & CEILING JOIST CHAPTER 6, UNLESS NOTED ON THE CONSTRUCTION PLANS.
  3. ALL JOIST, BEAMS, HEADERS, HIPS, VALLEYS, AND PURLINS SHALL BE SUPPORTED AND BRACED TO LOAD BEARING WALLS AS REQUIRED BY THE INTERNATIONAL RESIDENTIAL BUILDING CODE.
  4. ALL SHALL BE SIZED FOR SPAN AND FOR ALL LOADS THAT WILL BE APPLIED.
  5. CEILING JOISTS SPANS ARE BASED ON INTERNATIONAL RESIDENTIAL CODE (I.R.C.) SOUTHERN YELLOW PINE #2 LUMBER SPANS.
  6. HEADER SIZES SHOULD BE BASED ON I.R.C. - TABLE R502.5
  7. DESIGN AND LAYOUT OF TRIM JOISTS TO BE PROVIDED BY TRIM JOIST MANUFACTURER.
  8. ALL LUMBER TO BE #2 SOUTHERN PINE.
  9. DOUBLE UP ALL STUDS AT END OF BEAMS.
- NOTE: PRE ENGINEERED LVL BEAM & GLUE LAM SHALL BE SIZED PER MANUFACTURER RECOMMENDATION.



**5 CEILING JOIST PLAN**  
SCALE: 3/16" = 1'-0"



**6 CEILING JOIST PLAN**  
SCALE: 3/16" = 1'-0"

**DAMMON ENGINEERING, INC.**  
LOUISIANA & MISSISSIPPI  
Chief Engineer: Brian Misch, PE  
554 Old Spanish Trail  
Slidell, LA 70458  
www.dammonengineering.com  
info@dammonengineering.com  
PH: 985.649.8832

REVISIONS	DATE
# DESCRIPTION	

SEAL:

**HOUSE PLAN**  
**CHARLETTE & JOSEPH**  
LOT 31  
GILBON DRIVE  
SLIDELL, LA 70460  
JOB No: DATE: 04-09-2024  
DRAWN BY: SCK CHECKED BY: CKD

SHEET TITLE:  
FLOOR FRAMING PLAN  
AND CEILING JOIST PLAN

DRAWING NUMBER:

**S102**