

OPTIONAL METAL ROOFING

OPTIONAL METAL ROOFING SHALL BE 29 GAGE OVER 1/2" OSB SHEATHING WITH 29 GAGE RIDGE CAP, EAVE TRIM AND RAKE TRIM. SCREEN CLOSURE OVER RIDGE OPENING.

30 YEAR FIBERGLASS SHINGLES OVER ONE PLY 15# FELT OVER 1/2" OSB SHEATHING.

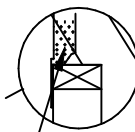
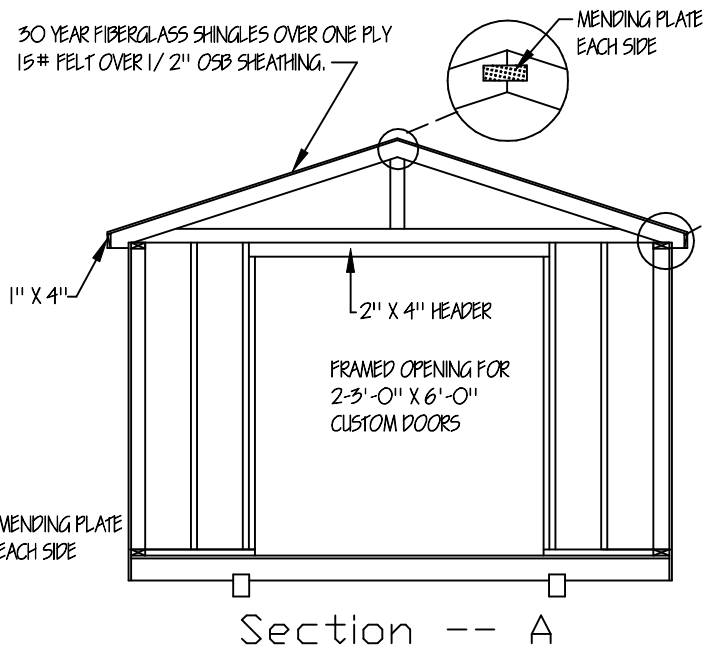
MENDING PLATE EACH SIDE

ROOF SHEATHING
TRUSSES 16" O.C. 1/2" OSB
TRUSSES 24" O.C. 5/8" OSB
ROOF VENT

FIBERGLASS: ALUMINUM RIDGE CAP W/ SCREEN METAL: 26 GAGE RIDGE CAP W/ SCREEN BELOW
FASTENERS SHALL COMPLY WITH TABLE R602.3(1) AND SHALL BE GALVANIZED RING SHANK.

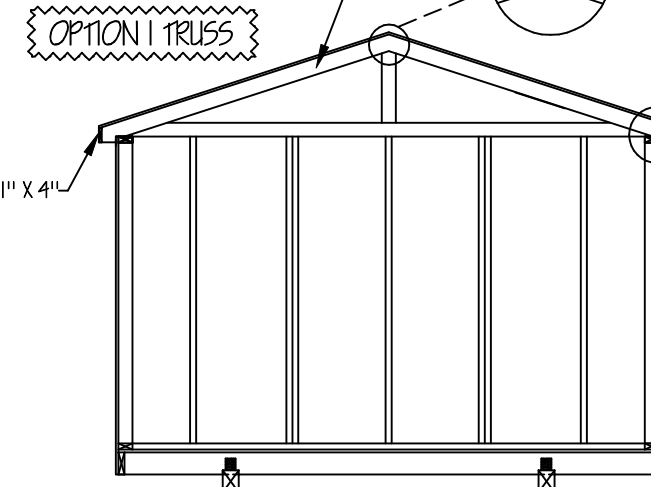
WINDOW HEADERS SHALL BE 2 - 2" X 4" WIDTH VERTICAL AND DOORS 2 - 2" X 6" WIDTH VERTICAL

NOTES:
WOOD TRUSSES SHALL COMPLY WITH R 502.11 AND DESIGN SHALL COMPLY WITH ANSI/ TPI 1 AND APPROVED ACCORDING TO R 106 1. (R = INTERNATIONAL BUILDING CODE)

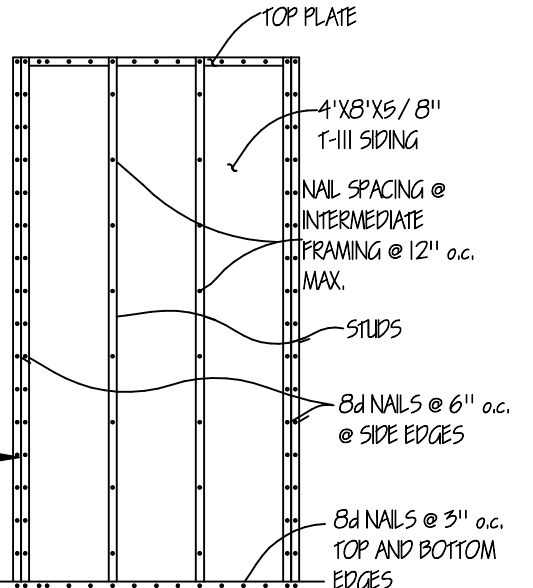


SIMPSON 'H2.5A' TRUSS TO WALL PLATE TIE OR EQUAL TYPICAL HURRICANE TIE

OPTION 1 TRUSS



WALL FRAMING



PLYWOOD SHEATHING PANELS SHALL OVERLAP THE TOP MEMBER AND THE BOTTOM PLATE BY 1 1/2" AND A SINGLE ROW OF FASTENERS SHALL BE PLACED 3/4" FROM PANEL EDGE.
WALL SHEATHING ATTACHMENT

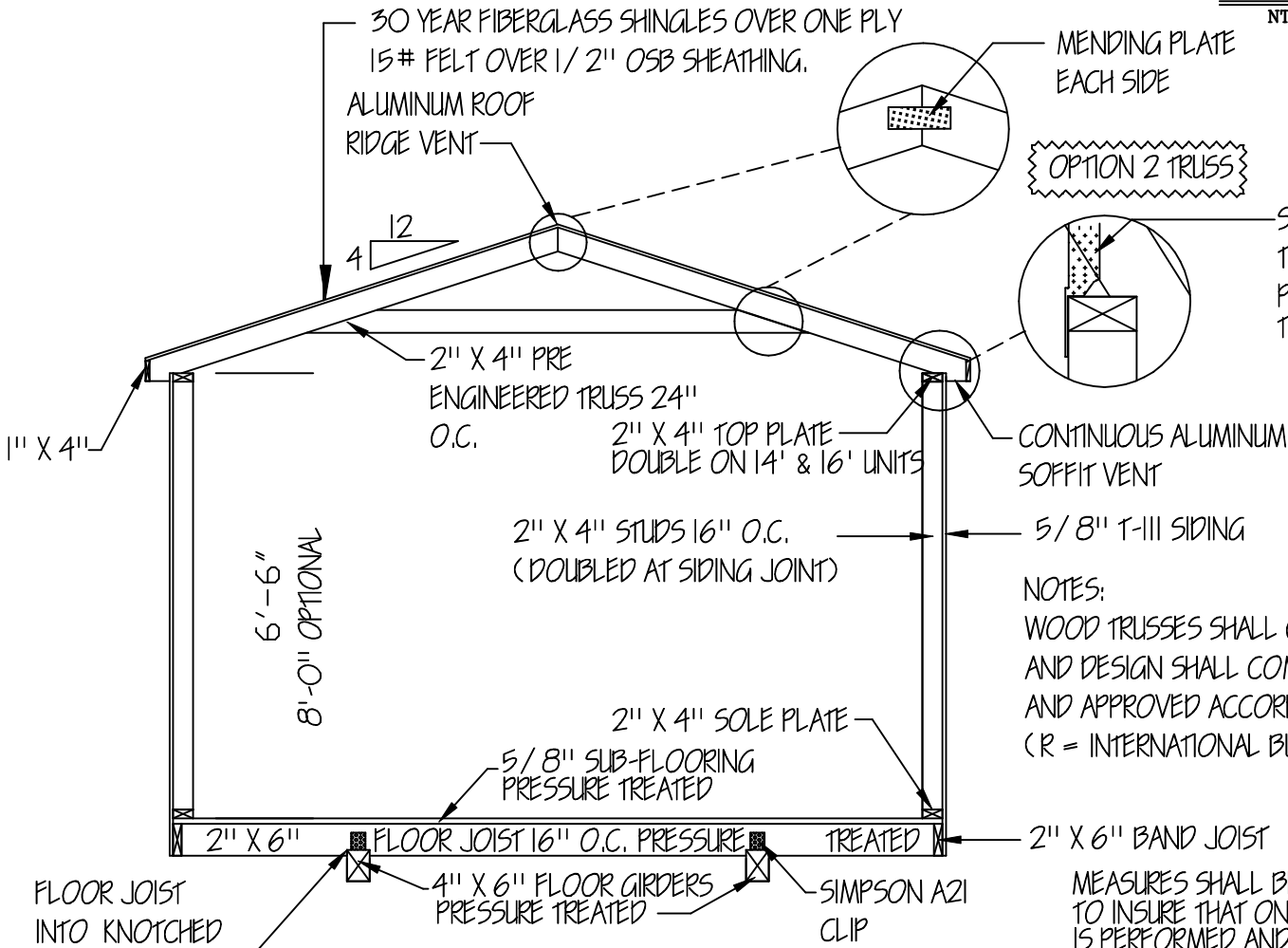
NTS

30 YEAR FIBERGLASS SHINGLES OVER ONE PLY 15# FELT OVER 1/2" OSB SHEATHING.

ALUMINUM ROOF RIDGE VENT

MENDING PLATE EACH SIDE

OPTION 2 TRUSS



SIMPSON 'H2.5A' TRUSS TO WALL PLATE TIE OR EQUAL TYPICAL HURRICANE TIE

NOTES:
WOOD TRUSSES SHALL COMPLY WITH R 502.11 AND DESIGN SHALL COMPLY WITH ANSI/ TPI 1 AND APPROVED ACCORDING TO R 106 1. (R = INTERNATIONAL BUILDING CODE)

MEASURES SHALL BE TAKEN DURING CONSTRUCTION TO INSURE THAT ONLY WORKMANSHIP OF THE HIGHEST QUALITY IS PERFORMED AND THAT ONLY THE BEST MATERIALS AND PRACTICES OF CONSTRUCTION ARE USED FOR A QUALITY AND SOUND BUILDING.

Typical Section

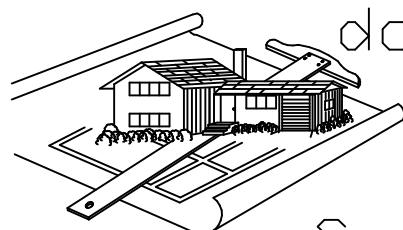
3/16" = 1'-0"

ENGINEERS' NOTES:

1. FOUNDATIONS PIERS, TIE-DOWNS AND ANCHORS SHALL MEET THE REQUIREMENTS OF THE "PERMANENT FOUNDATIONS GUIDE OF MANUFACTURED HOUSING" AS PUBLISHED BY HUD IN SEPTEMBER 1996, AND THE HUD HANDBOOK 4145.1 REV. 2.
2. NO FIELD SUPERVISION PROVIDED UNDER THIS SEAL.
3. NO ADMINISTRATION PROVIDED UNDER THIS SEAL.

Utility

MISSISSIPPI-LOUISIANA



doug's
plan
Service

4210 Stewart Lane
Perkinston, MS 39573
228/255-5259

GRACELAND PROPERTIES LLC
P.O. BOX 665
CUNNINGHAM, KY 42035

Copyright (C) 2008 by Graceland Properties LLC
All Rights Reserved, including the rights of reproduction in whole or in part in any form.