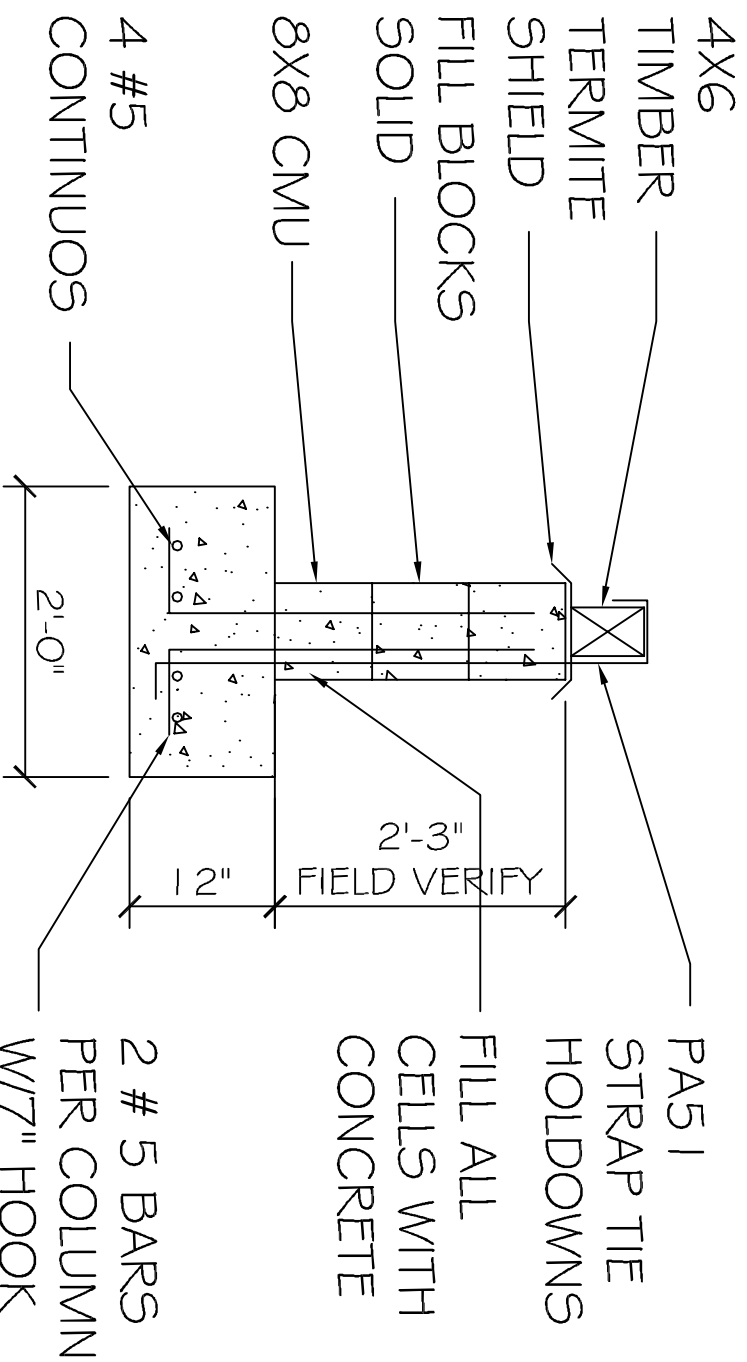
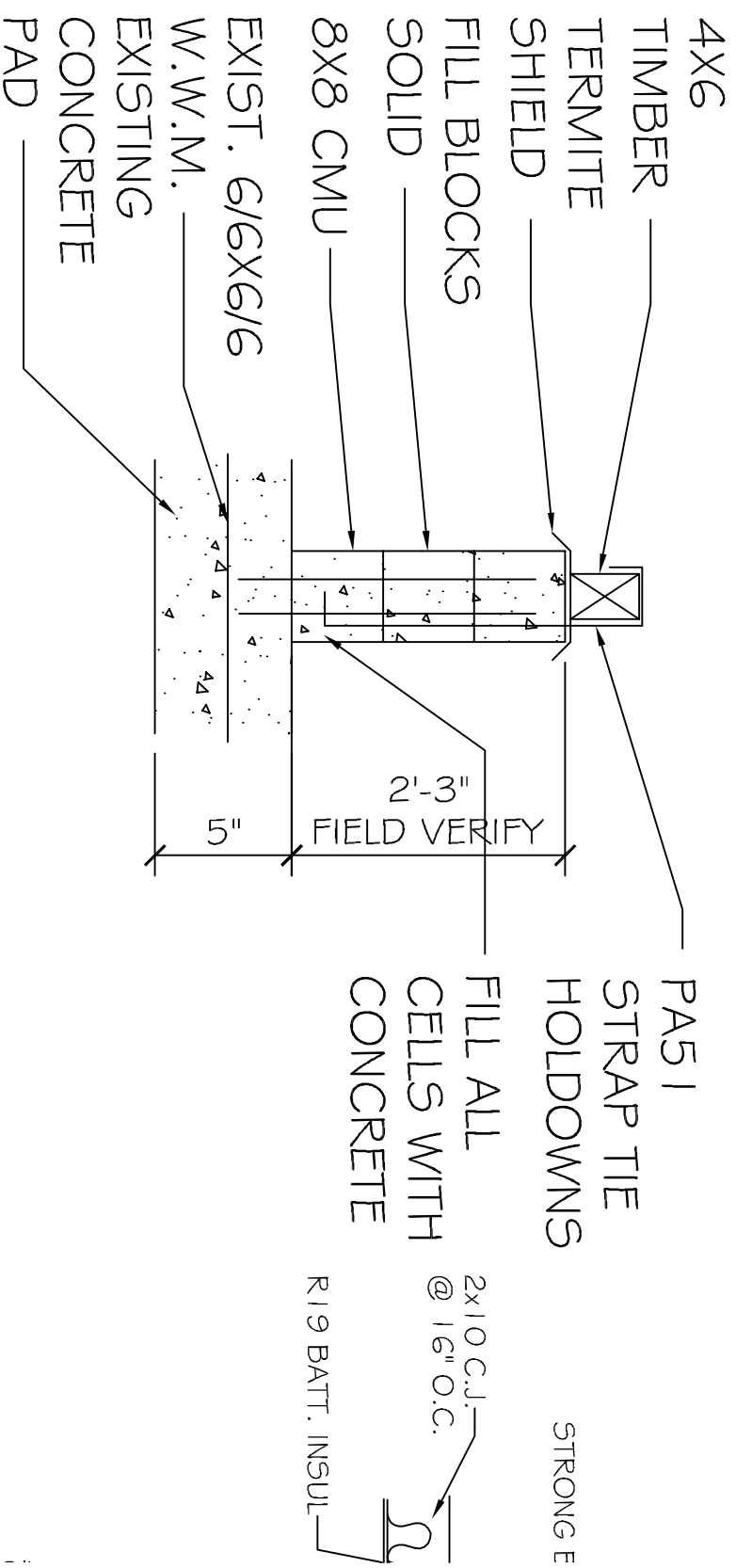


- 1. TO 95% MAXIMUM DENSITY.
- 3. TREAT SOIL BELOW SLAB FOR TERMITES.
- 4. CONCRETE MIX SHALL BE 3000 PSI. MINIMUM.



TYP. NEW FOOTING SECTION

SCALE: N.T.S.



TYP. FOOTING SECTION INTO EXIST. PAD

SCALE: N.T.S.