

*These Documents to be  
Printed on 11x17 Paper*

**GENERAL NOTES**

THE STRUCTURE UNDER THIS CONTRACT HAS BEEN DESIGNED AND DETAILED FOR THE LOADS AND CONDITIONS STIPULATED IN THE CONTRACT AND SHOWN ON THESE DRAWINGS. ANY ALTERATIONS TO THE STRUCTURAL SYSTEM REMOVAL OF ANY COMPONENT PARTS, OR THE ADDITION OF OTHER CONSTRUCTION MATERIALS OR LOADS MUST BE DONE IN ACCORDANCE WITH THE DESIGN MANUAL AND THE DESIGN SATISFIES THE REQUIREMENTS OF THE BUILDING MANUFACTURER WILL ASSUME NO RESPONSIBILITY FOR ANY LOADS NOT INDICATED.

THIS METAL BUILDING IS DESIGNED WITH THE BUILDING MANUFACTURER'S STANDARD PRACTICES WHICH ARE BASED ON PERTINENT PROCEDURES AND RECOMMENDATIONS OF THE FOLLOWING ORGANIZATIONS AND CODES AS APPLICABLE TO STRUCTURAL STEEL FOR BUILDINGS:

- AMERICAN INSTITUTE OF STEEL CONSTRUCTION, SPECIFICATION FOR THE DESIGN, FABRICATION AND ERECTION OF STRUCTURAL STEEL FOR BUILDINGS
- AMERICAN IRON AND STEEL INSTITUTE, SPECIFICATION FOR THE DESIGN OF COLO FORMED STEEL STRUCTURAL MEMBERS
- AMERICAN WELDING SOCIETY, STRUCTURAL WELDING CODE AWS D11
- METAL BUILDING MANUFACTURER'S ASSOCIATION, LOW RISE BUILDING SYSTEMS MANUAL
- INTERNATIONAL CODE COUNCIL, INTERNATIONAL BUILDING CODE

ALL WELDING ELECTRODES SHALL BE A233 CLASS E70 SERIES, MINIMUM WELDS ON PRIMARY STRUCTURAL MEMBERS SHALL BE 3/16" FILLET WELDS UNLESS SHOWN OTHERWISE ON SHOP FABRICATION DRAWINGS.

ALL STRUCTURAL STEEL SHALL BE SHOP FABRICATED UNLESS NOTED.

MATERIAL PROPERTIES OF STEEL PLATE AND SHEET USED IN THE FABRICATION OF PRIMARY RIGID FRAMES AND ALL OTHER STRUCTURAL FRAMING MEMBERS (OTHER THAN COLD-FORMED SECTIONS) CONFORM TO THE CHEMISTRY REQUIREMENTS OF ASTM A572 WITH MINIMUM YIELD POINT OF 50,000 P.S.I. OR 50,000 P.S.I. AS REQUIRED BY DESIGN. ALL OTHER STEEL MEMBERS CONFORM TO THE REQUIREMENTS OF A.S.T.M. A570, GRADE 55 WITH A MINIMUM YIELD POINT OF 57,000 P.S.I.

ALL PIPE SHALL BE MINIMUM SCHEDULE 40 AND 24,000 P.S.I. UNLESS OTHERWISE NOTED.

CABLE BRACING TO BE BRACE GRIP SYSTEM AS MANUFACTURED BY FLOIDON WIRE ROPE CABLE COMPANY. EMB GABLE OR EQUAL BRACING IN FLUSH GIRT SIDEWALL / ENDWALL BAYS MAY REQUIRE THE FIELD CUTTING OF SLOTS SO THAT CABLE IS INSTALLED WITHIN GIRTS.

STRUCTURAL JOINTS WITH A S.T.M. A-323 HIGH STRENGTH BOLTS, WHERE INDICATED ON THE DRAWINGS SHALL BE ASSEMBLED AND THE FASTENERS TIGHTENED IN ACCORDANCE WITH SNUG-TIGHT METHOD AS DESCRIBED IN THE SPECIFICATION FOR STRUCTURAL JOINTS USING A.S.T.M. A-323 OR A-490 BOLTS (JUNE 30, 2004 EDITION), UNLESS OTHERWISE NOTED. ALL JOINTS WILL BE ASSEMBLED WITHOUT WASHERS UNLESS OTHERWISE NOTED.

ALL STEEL MEMBERS EXCEPT BOLTS AND FASTENERS SHALL RECEIVE ONE SHOP COAT OF IRON OXIDE CORROSION INHIBITING PRIMER.

SHOP AND FIELD INSPECTIONS AND ASSOCIATED FEES ARE THE RESPONSIBILITY OF THE CONTRACTOR.

UNLESS OTHERWISE NOTED, ALL SCREWED-DOWN ROOF AND WALL PANELS ARE TO BE INSTALLED USING A MINIMUM OF TWO SCREWS PER PANEL. ENDWALLS AND CORNERS SHALL BE INSTALLED USING FRAME ENDWALLS DEPEND ON DIAPHRAGM STRENGTH TO PROVIDE LATERAL SUPPORT. THE NUMBER AND SIZE OF FIELD INSTALLED OPENINGS IN THESE WALLS MAY BE LIMITED. SEE THE APPLICABLE WALL DRAWING OR CONTACT YOUR SALES REPRESENTATIVE FOR MORE INFORMATION.

**BUILDING DESCRIPTION**

BLDG	WIDTH	LENGTH	HEIGHT	ROOF PITCH
			BACK	FRONT
1	45'-0"	X 50'-0"	X 12'-0"	5.00:12 5.00:12
2	6'-8"	X 12'-0"	X 9'-0"	10'-0" 1.80:12

**INSTALLATION NOTE**

For videos and manuals to help you with the erection of your building, visit our website: [www.muellerinc.com](http://www.muellerinc.com)

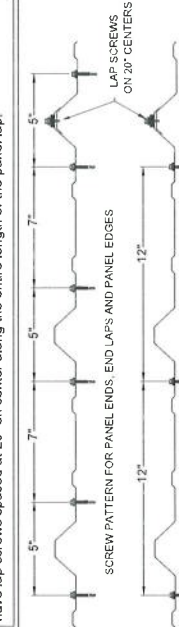
Go to the "Downloads" tab near the top of the page and click on "Videos" or "Manuals" to view the installation and erection planning and safety through erection and installation of accessories. VOID ALL ENGINEERING AND WARRANTY.

**WARRANTY NOTE**

ENGINEERING CALCULATIONS AND DESIGN ARE BASED ON PREFABRICATED METAL BUILDINGS AS SHOWN IN THESE DRAWINGS AND SUPPLIED BY MUELLER, INC. AND ANY FIELD FABRICATION AND/OR MODIFICATION OF SAID BUILDINGS IS THE SOLE RESPONSIBILITY OF THE CUSTOMER AND MAY VOID ALL ENGINEERING AND WARRANTY.

**FASTENER SPACING: HIGH WIND SCREW PLACEMENT**

A line of fasteners in a 5'-7"-5'-7"-5" pattern shall be used at all panel ends, end laps, and panel edges when attached to the rake, base, roof or wall purlin and eave struts. Panel side laps should have lap screws spaced at 20" on center along the entire length of the panel lap.



TYPICAL SCREW PATTERN FOR INTERIOR SUPPORTS

**PRODUCT CERTIFICATIONS**

THIS IS TO CERTIFY THE ABOVE REFERENCED BUILDING HAS BEEN DESIGNED IN ACCORDANCE WITH A.I.S.C. AND A.I.S.I. DESIGN PROCEDURES AND GOOD ENGINEERING PRACTICE AND FOR THE FOLLOWING LOADS: ALL WELDINGS PER THE A.S.T.M. D11 & D13 CODES. LOADS ARE APPLIED IN ACCORDANCE WITH THE M.E.M.A. LOW RISE BUILDING SYSTEMS MANUAL, AND THE DESIGN SATISFIES THE REQUIREMENTS OF IBC-15

DEAD LOAD: METAL BLDG STRUCTURE ONLY AS FURNISHED BY MUELLER, INC.

LIVE LOAD (ROOF): 20.0 (psf) GROUND SNOW LOAD:  $P_g = 5.0$  (psf)

LIVE LOAD (REDUCED PER CODE)? YES ROOF SNOW LOAD (Flat):  $P_f = 5.0$  (psf)

WIND EXPOSURE: C WIND CATEGORY: II - Normal WIND LOAD:  $V_{100} = 142.0$  MPH

RISK CATEGORY: II - Normal  $C_v = 1.0$   $I_s = 1.0$   $V_{50} = 110.0$  MPH

**SEISMIC LOADS**

SEISMIC DESIGN CATEGORY: B

SITE CLASS: D

ANALYSIS PROCEDURE: Equivalent Lateral Force Method

**BUILDING-SPECIFIC LOADING INFORMATION**

BLDG	Load (psf)	C <sub>1</sub>	C <sub>s</sub>	Roof (Sloped)	WIND Enclosure	GC <sub>w</sub>	R	C <sub>s</sub>	V (leps)
1	1.3	1.0	1.0	5.00	Partially/Endlosed	±0.55	3.25	0.033	0.96
2	1.3	1.0	1.0	5.00	Partially/Endlosed	±0.55	3.00	0.036	0.03

THIS LETTER OF CERTIFICATION APPLIES SOLELY TO THIS BUILDING AND ITS COMPONENT PARTS AS FURNISHED AND/OR FABRICATED BY MUELLER, INC. AND SPECIFICALLY EXCLUDES FOUNDATION, MASONRY OR GENERAL CONTRACT WORK INCLUDING ERECTION CERTIFICATION. THE DESIGN AND CERTIFICATION FOR THIS PROJECT IS IN ACCORDANCE WITH THE PROVISIONS AND LOADS SPECIFIED ON THE CONTRACT DOCUMENTS. THE CUSTOMER IS TO INSURE ALL LOADS ARE IN COMPLIANCE WITH LOCAL, REGULATORY AUTHORITIES. ALL COMPONENTS AND PARTS MUST WITHSTAND THE WIND LOAD AND DESIGN SPECIFICATIONS MENTIONED ABOVE.

**PANEL ACCESSORY INFORMATION**

PANEL TYPE	PANEL COLOR	TRIM COLOR
125_R	WHT White	NC: Need Common
125_PBR	BSL Burnished Slate	NC: Need Common

WARNING: IN NO CASE SHOULD GALVALUME STEEL PANELS BE USED IN CONJUNCTION WITH LEAD OR COPPER. BOTH LEAD AND COPPER HAVE HARMFUL CORROSION EFFECTS ON THE ALUMINUM ZINC ALLOY COATING WHEN THEY ARE USED IN CONTACT WITH GALVALUME STEEL PANELS. EVEN RUN-OFF FROM COPPER FLASHING, WIRING OR TUBING ONTO GALVALUME SHOULD BE AVOIDED.

**DEFLECTION LIMIT TABLE**

EW Column	L / 110
EW Rafter (Live)	L / 180
EW Rafter (Wind)	L / 180
Wall Girt	L / 90
Roof Purlin (Live)	L / 150
Roof Purlin (Wind)	L / 150
Rigid Frame (Horiz)	H / 60
Rigid Frame (Vert)	L / 180
Wind Framing	H / 60

**DRAWING INDEX**

PAGE	DESCRIPTION
C1	COVER SHEET
A81	ANCHOR BOLT PLAN
A82	ANCHOR BOLT DETAILS
A83	ANCHOR BOLT DETAILS
A84	REACTIONS
A85	REACTIONS
E1	ROOF PLAN
E2	WALL ELEVATION AT GRID E
E3	WALL ELEVATION AT GRID B
E4	WALL ELEVATION AT GRID A
E5	WALL ELEVATION AT GRID 1
E6	WALL ELEVATION AT GRID 1.1, 1.6
E7	WALL ELEVATION AT GRID 3
E8	FRAME ELEVATION ON GRID 1
E9	FRAME ELEVATION ON GRID 2
E10	FRAME ELEVATION ON GRID 1.1, 1.6
E11	FRAME ELEVATION ON GRID 3
E102	ERECTION DETAILS
E103	ERECTION DETAILS
E104	ERECTION DETAILS
S101	SHEETING DETAILS
S102	SHEETING DETAILS
T101	TRIM DETAILS
T102	TRIM DETAILS
T103	TRIM DETAILS

**FOR CONSTRUCTION**

GORDON R. VENABLE  
License No. 37455  
PROFESSIONAL ENGINEER  
IN  
STATE OF LOUISIANA

*Gordon R. Venable*

FOR CONSTRUCTION

Rev 0 11/20/2020 For Construction

MUELLER, INC.  
STEEL BUILDING SYSTEMS & COMPONENTS  
1913 Hutchins Ave. Building #, TX 76821  
(800) 527-1087

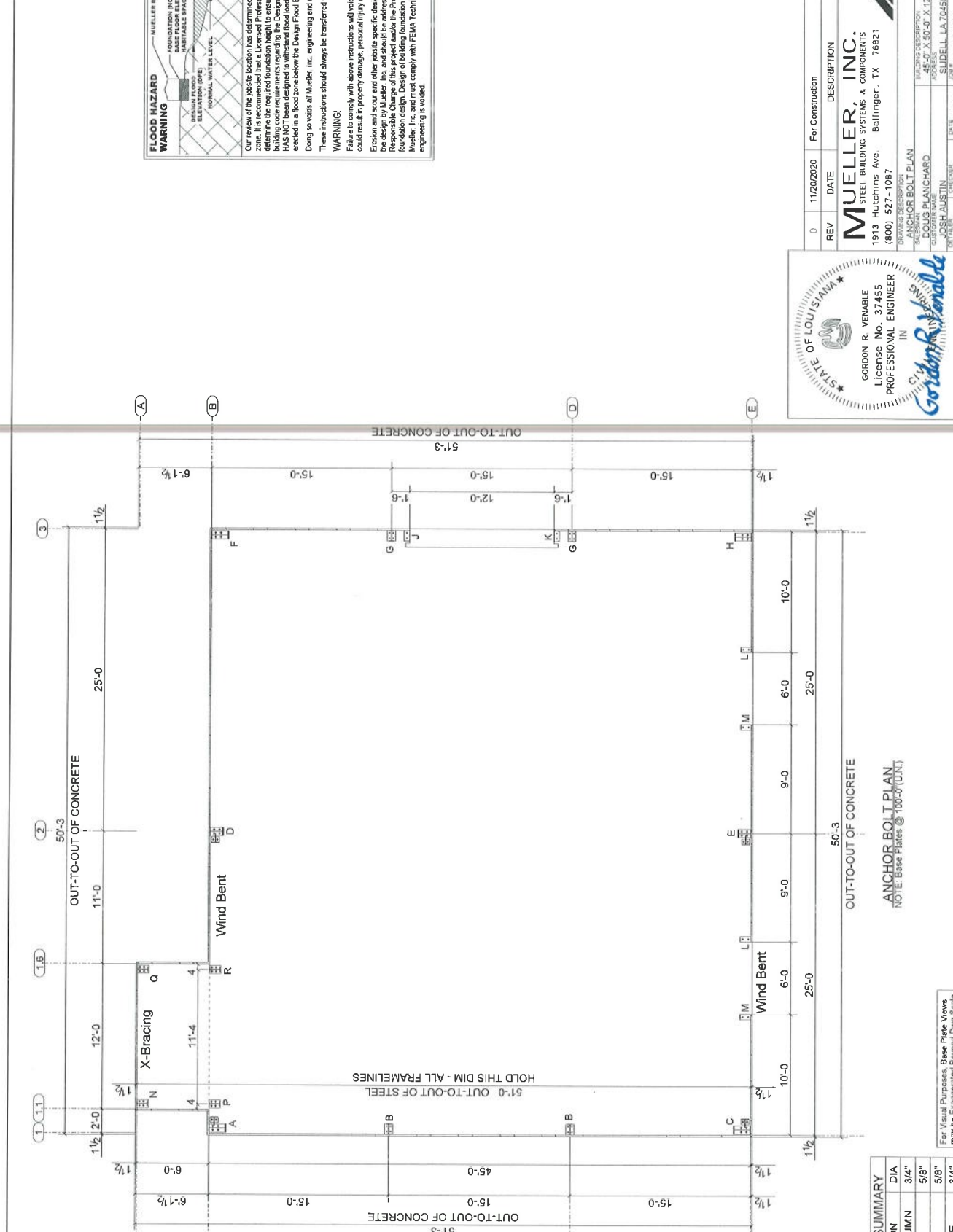
DRIVING DESCRIPTION: BUILDING DESCRIPTION: ROOF ABOVE: 5.00:12  
SUBJECT SHEET: 45'-0" X 50'-0" X 12'-0"  
DRAWING NO.: 11232020  
DATE: 11/23/2020  
DRAWN BY: JCSH/AUSTIN  
CHECKED BY: JCSH/AUSTIN  
TRG 5993055

For help with installation of your building, please visit our website: [www.muellerinc.com/downloads/download-manuals](http://www.muellerinc.com/downloads/download-manuals)

NOTE: THE UNDER-SIGNED ENGINEER IS NOT THE REGISTERED DESIGN PROFESSIONAL IN RESPONSIBLE CHARGE NOR ENGINEER OF RECORD FOR THE OVERALL PROJECT.

Legend

PART MARK = Part001



**FLOOD HAZARD WARNING**

FOUNDATION (NOT BY MUELLER)  
 BASE FLOOR ELEVATION OF 5.00'-0" (5'-0")  
 DESIGN FLOOD ELEVATION (DFE) 11'-0" (11'-0")  
 (NORMAL WATER LEVEL)

Our review of the site location has determined that the property may be in a flood zone. It is recommended that a Licensed Professional Surveyor be contacted to determine the exact flood zone. The design of this project is based on the building code requirements regarding the Design Flood Elevation (DFE). This building HAS NOT been designed to withstand flood loads and thus, this building may not be erected in a flood zone below the Design Flood Elevation (DFE).  
 Doing so voids all Mueller, Inc. engineering and warranty.  
 These indications should always be transferred with building at change of ownership.

**WARNING:**  
 Failure to comply with above instructions will void engineering for the structure and could result in property damage, personal injury and/or death.  
 Erosion and scour and other geologic specific design considerations are not part of this design. The design of this project is based on the Design Flood Elevation (DFE).  
 Responsible Charge of this project and/or the Professional of Record for this project, Foundation Design, Design of building foundation and areas below DFE are not by Mueller, Inc. and must comply with FEMA Technical Bulletin 1-11 or Mueller, Inc. engineering is voided.

STATE OF LOUISIANA  
 GORDON R. VENABLE  
 License No. 37455  
 PROFESSIONAL ENGINEER  
 IN  
 CIVIL ENGINEERING

*Gordon R. Venable*

11/23/2020

11/20/2020 For Construction

REV DATE DESCRIPTION

0 11/20/2020 For Construction

**MUELLER, INC.**  
 STEEL BUILDING SYSTEMS & COMPONENTS  
 1913 Hutchins Ave. Ballinger, TX 76821  
 (800) 527-1097

DRAWING DESCRIPTION: FOUNDATION BOLT PLAN  
 CLIENT: DOUG PLANCHARD  
 CHECKED BY: JOSH AUSTIN  
 DATE: 11/23/2020

TRG 11/23/2020

5953055 DWG# AB1 0

**ANCHOR BOLT SUMMARY**

QTY	LOCATION	DIA
8	WIND COLUMN	3/4"
12	JAMB	5/8"
16	ENDWALL	5/8"
40	MAINFRAME	3/4"

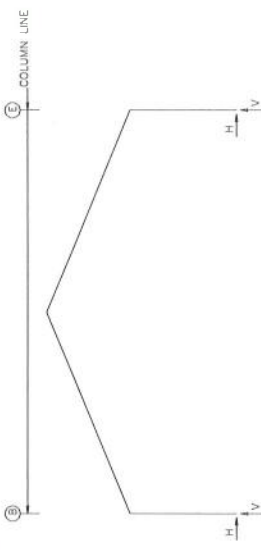
For Visual Purposes, Base Plate Views may be Enlarged Beyond Dwg Scale

ANCHOR BOLT PLAN  
 NOTE: Base Plates @ 100-0(PLAN)





FRAME LINES: 1 2 3



**RIGID FRAME: MAXIMUM REACTIONS, ANCHOR BOLTS, & BASE PLATES**

Col Line	Loc	Load ID	Reactions (k)	Anc-Bolt Qty	Anc-Bolt Dia	Base-Plate Width	Base-Plate Length	Thick	Groat (in)				
1	B	3	2.8	4.6	4	-4.3	-9.6	4	0.750	6.000	13.000	0.500	0.0
1	E	5	4.3	-9.6	2	-2.8	4.6	4	0.750	6.000	13.000	0.500	0.0

**RIGID FRAME: MAXIMUM REACTIONS, ANCHOR BOLTS, & BASE PLATES**

Col Line	Loc	Load ID	Reactions (k)	Anc-Bolt Qty	Anc-Bolt Dia	Base-Plate Width	Base-Plate Length	Thick	Groat (in)				
2	B	3	6.2	10.6	4	-7.9	-17.5	4	0.750	6.000	10.000	0.500	0.0
2	E	5	7.9	-17.5	2	-6.2	10.6	4	0.750	6.000	10.000	0.500	0.0

**RIGID FRAME: MAXIMUM REACTIONS, ANCHOR BOLTS, & BASE PLATES**

Col Line	Loc	Load ID	Reactions (k)	Anc-Bolt Qty	Anc-Bolt Dia	Base-Plate Width	Base-Plate Length	Thick	Groat (in)				
3	B	3	2.8	4.6	4	-4.3	-9.6	4	0.750	6.000	13.000	0.500	0.0
3	E	5	4.3	-9.6	2	-2.8	4.6	4	0.750	6.000	13.000	0.500	0.0

**WIND BENT REACTIONS**

Col Line	Loc	Reactions (k)	Anc-Bolt Qty	Anc-Bolt Dia	Base-Plate Width	Base-Plate Length	Thick			
F.S.W	E	2	2.7	2.3	0.1	0.1	0.750	6.000	8.125	0.500
F.S.W	B	2	2.7	2.3	0.1	0.1	0.750	6.000	8.125	0.500
B.S.W	B	2	2.7	2.3	0.1	0.1	0.750	6.000	8.125	0.500

**RIGID FRAME: BASIC COLUMN REACTIONS (k)**

Frame Line	Column Line	Dead	Live	Wind	Seismic	Wind	Seismic	Wind	Seismic
1	E	-0.6	1.6	-0.2	0.5	-1.8	4.2	0.7	2.1
1	B	-0.6	1.6	-0.2	0.5	-1.8	4.2	0.7	2.1
1	E	-0.6	1.6	-0.2	0.5	-1.8	4.2	0.7	2.1
1	B	-0.6	1.6	-0.2	0.5	-1.8	4.2	0.7	2.1

Frame Line	Column Line	Dead	Live	Wind	Seismic	Wind	Seismic	Wind	Seismic
2	E	-1.2	2.7	-0.5	1.0	-4.3	8.8	1.1	4.2
2	B	-1.2	2.7	-0.5	1.0	-4.3	8.8	1.1	4.2
2	E	-1.2	2.7	-0.5	1.0	-4.3	8.8	1.1	4.2
2	B	-1.2	2.7	-0.5	1.0	-4.3	8.8	1.1	4.2

Frame Line	Column Line	Dead	Live	Wind	Seismic	Wind	Seismic	Wind	Seismic
3	E	-0.6	1.6	-0.2	0.5	-1.8	4.2	0.7	2.1
3	B	-0.6	1.6	-0.2	0.5	-1.8	4.2	0.7	2.1
3	E	-0.6	1.6	-0.2	0.5	-1.8	4.2	0.7	2.1
3	B	-0.6	1.6	-0.2	0.5	-1.8	4.2	0.7	2.1

**ENDWALL COLUMN: BASIC COLUMN REACTIONS (k)**

Frame Line	Column Line	Dead	Live	Wind	Seismic	Wind	Seismic	Wind	Seismic
1	D	0.2	0.2	0.2	0.2	0.2	0.2	0.2	0.2
1	C	0.2	0.2	0.2	0.2	0.2	0.2	0.2	0.2
1	D	0.2	0.2	0.2	0.2	0.2	0.2	0.2	0.2
1	C	0.2	0.2	0.2	0.2	0.2	0.2	0.2	0.2

**ENDWALL COLUMN: MAXIMUM REACTIONS, ANCHOR BOLTS, & BASE PLATES**

Frame Line	Column Line	Dead	Live	Wind	Seismic	Wind	Seismic	Wind	Seismic			
1	C	4.0	0.1	7	-3.7	0.1	4	0.625	6.000	8.000	0.500	0.0
1	D	4.0	0.2	7	-3.7	0.1	4	0.625	6.000	8.000	0.500	0.0
3	D	4.0	0.2	7	-3.7	0.1	4	0.625	6.000	8.000	0.500	0.0
3	C	4.0	0.1	7	-3.7	0.1	4	0.625	6.000	8.000	0.500	0.0

**LOAD COMBINATIONS**

ID	Description
1	Dead+Collateral+Live
2	Dead+Collateral+0.75Live+0.45Wind_Left12
3	Dead+Collateral+0.75Live+0.45Wind_Right12
4	0.6Dead+0.6Wind_Left1
5	0.6Dead+0.6Wind_Right1
6	0.6Dead+0.6Wind_Right2-D.6Wind_Suction
7	0.6Dead+0.6Wind_Pressure-D.6Wind_Long2
8	0.6Dead+0.6Wind_Right2+0.6Wind_Suction

**BUILDING BRACING REACTIONS**

Loc	Line	Col	Reactions (k)	Panel Shear (lb/ft)	Note
L	E	1	1.2		(1) Wind bent in bay
F	SW	1	1.2		(2) Rigid frame at endwall
B	SW	1	1.2		

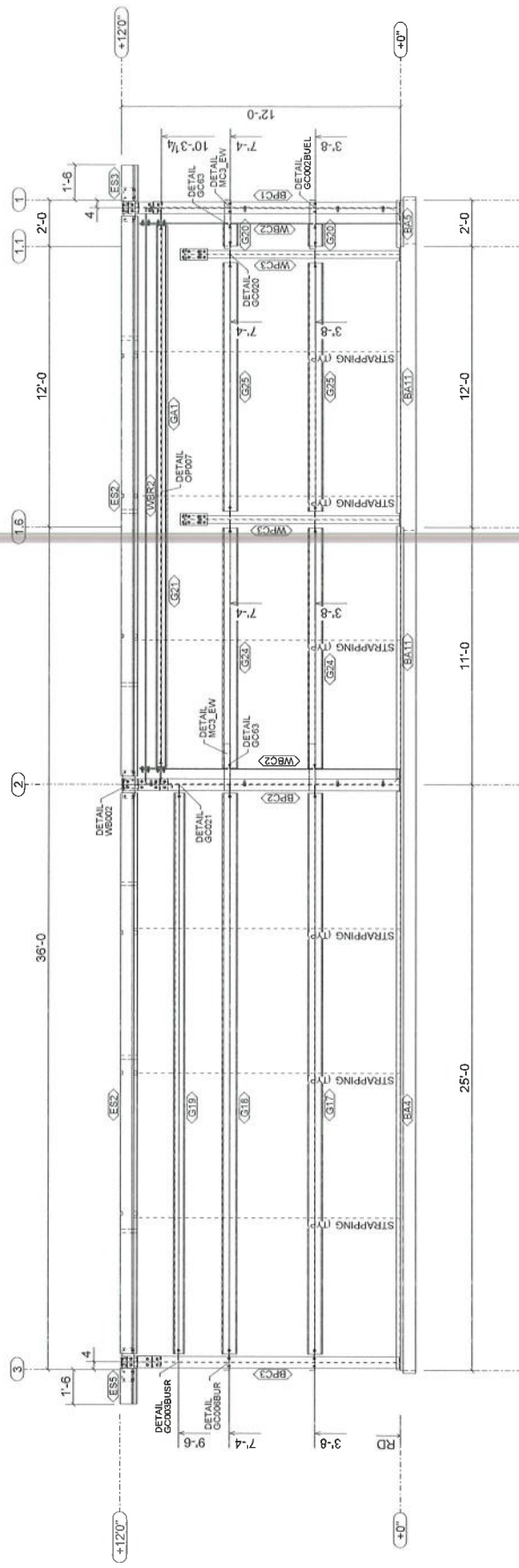
STATE OF LOUISIANA  
GORDON R. VENABLE  
License No. 37455  
PROFESSIONAL ENGINEER  
IN  
Civil Engineering  
Gordon R. Venable

0 11/20/2020 For Construction  
REV DATE DESCRIPTION  
0 11/20/2020  
**MUELLER INC.**  
STEEL BUILDING SYSTEMS & COMPONENTS  
1913 Huccens Ave. Ballinger, TX 76821  
BUILDING DESCRIPTION  
45'-0" X 50'-0" X 12'-0"  
DOUG PLANCHARD  
CADD  
JOSH AUSTIN  
CHECKER  
SUDELL LA 70458  
JOB #  
5993056  
DWG #  
AB4  
REV. 0

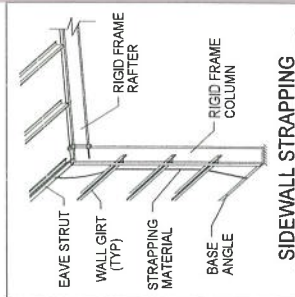








WALLELEVATION AT GRID B



Qty	Mark	Profile	Finish	Length
2	WB2	WB18	RO	24'-8 1/2"
1	WB2	WB18	RO	2'-0 1/4"
1	BA5	L4X2X1/4GA	RO	10'-9 1/2"
2	BA11	L4X2X1/4GA	RO	23'-11 5/16"
1	G18	8X35214	RO	23'-11 5/16"
1	G18	8X35214	RO	23'-11 5/16"
2	G20	8X35212	RO	23'-11 5/16"
2	G24	8X35212	RO	10'-3 3/16"
2	G25	8X35212	RO	10'-7 5/16"
1	G41	L4X2X1/4GA	RO	23'-1 9/16"

Wind Bent Connection Bolt Table	Bolt Description
WB2	8 - 3/4" x 2 1/2" A325N
WB2	8 - 3/4" x 2 1/2" A325N

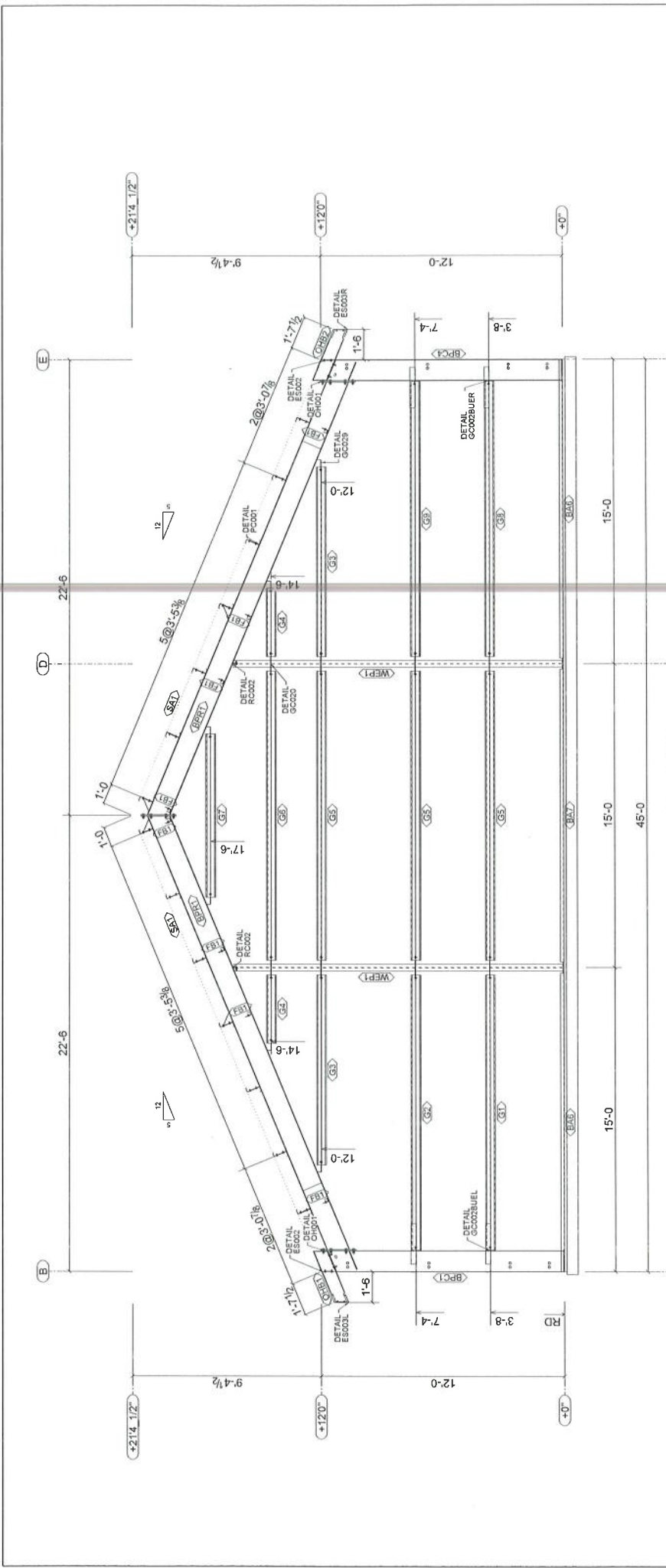
Component Bolt Table	Bolt Description
WB2	8 - 3/4" x 2 1/2" A325N
WB2	8 - 3/4" x 2 1/2" A325N

Detail ID	Bolted Parts	Bolt Description
OP07	3	4 - 1/2" x 1" A307
WB2	3	
G21	3	

STATE OF LOUISIANA  
 GORDON R. VENABLE  
 License No. 37455  
 PROFESSIONAL ENGINEER  
 IN  
 CIVIL ENGINEERING  
 Gordon R. Venable  
 11/23/2020

0 11/20/2020 For Construction  
 REV DATE DESCRIPTION  
**MUELLER, INC.**  
 STEEL BUILDING SYSTEMS & COMPONENTS  
 1913 Hutchins Ave. Ballinger, TX 76821  
 (800) 527-1087  
 Drawing Description: BUILDING DESCRIPTION: ROOF SLUICE  
 SALESMAN: DOUG PLANCHARD 45'-0" X 50'-0" X 19'-0" 5.00-12  
 DATE: 11/20/2020  
 DESIGNED BY: JOSH AUSTIN  
 CHECKED BY: JOSH AUSTIN  
 TRG DATE: 11/23/2020  
 TRG APPR: 5993056  
 DWG # E3 0





WALL ELEVATION AT GRID 1  
 "THIS ENDWALL FRAME IS NOT EXPANDABLE"

Qty	Mark	Profile	Finish	Length
1	BPC1	PL14X1/2"	RO	
1	BPC4	PL14X1/2"	RO	
2	BPR1	SPT10GA X 1/2"	RO	
1	CHB1	WBX10	RO	
1	CHB2	WBX10	RO	
2	WEP1	WBX10	RO	14.8 1/2"
1	BA6	L4X2X1/4GA	RO	14.5 1/2"
1	BA7	2X2L12	RO	2'-7 11/16"
6	FB1	8X25Z16	RO	13'-6 15/16"
1	G1	8X25Z16	RO	13'-6 15/16"
2	G2	8X25Z16	RO	9'-4 7/16"
2	G4	8X25Z16	RO	3'-4 7/16"
3	G5	8X25Z16	RO	14'-3 5/16"
1	G6	8X25Z16	RO	14'-3 5/16"
1	G7	8X25Z16	RO	8'-0 11/16"
1	G8	8X25Z16	RO	13'-6 15/16"
1	G9	8X25Z16	RO	13'-6 15/16"

Detail ID	Bolted Parts	Bolt Description
CH001	CHB1 → BPC1	4 - 5/8" x 2" A325N
	CHB2 → BPC4	4 - 5/8" x 2" A325N
RC002	↓	↓
	BPR1 → WEP1	2 - 5/8" x 2" A325N

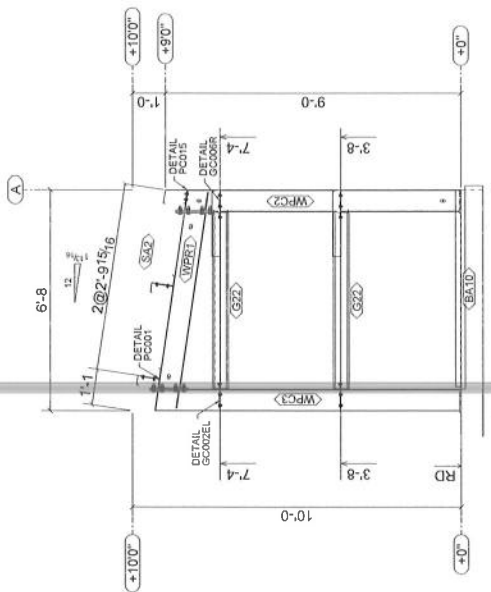
REV	DATE	DESCRIPTION
0	11/20/2020	For Construction

**MUELLER INC.**  
 STEEL BUILDING SYSTEMS & COMPONENTS  
 1913 Hutchins Ave. Ballinger, TX 76821  
 (800) 527-1087

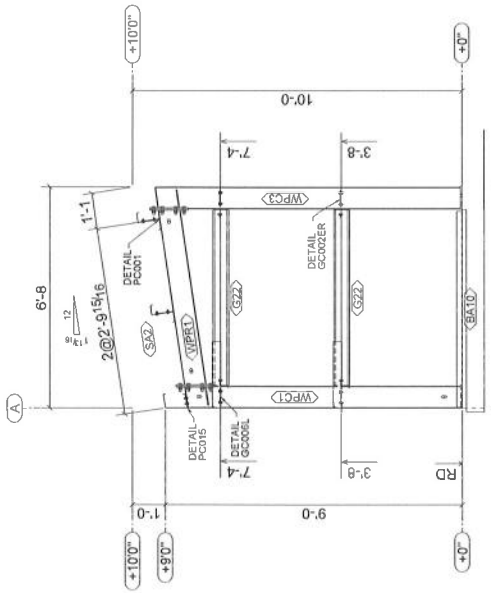
**Gordon R. Venable**  
 License No. 37455  
 PROFESSIONAL ENGINEER  
 IN  
 THE STATE OF LOUISIANA

DRAWING DESCRIPTION: WALL ELEVATION AT GRID 1  
 DRAWN BY: DOUG PLANCHARD  
 CHECKED BY: JOSH ALUSTIN  
 DATE: 11/23/2020  
 DWG # 5693056  
 E5 0

ALL ENDWALL COLUMNS AND JAMBS ARE DESIGNED AS "POSTS" AS DEFINED BY OSHA AND ARE NOT INTENDED TO BE CLIMBED ON UNTIL FULLY BRACED.



WALL ELEVATION AT GRID 1.1



WALL ELEVATION AT GRID 1.6

Qty	Mark	Profile	Finish	Length
1	WPC1	WBX10	RO	
1	WPC2	WBX10	RO	
2	WPC3	WBX10	RO	
2	WPR1	WBX10	RO	5'-11"
4	BAT0	L4X2X1/4GA	RO	5'-3 3/4"



ALL ENDWALL COLUMNS AND JANIS ARE DESIGNED AS "POSTS" AS DEFINED BY OSHA AND ARE NOT INTENDED TO BE CLIMBED ON UNTIL FULLY BRACED.

REV	DATE	DESCRIPTION
0	11/20/2020	For Construction

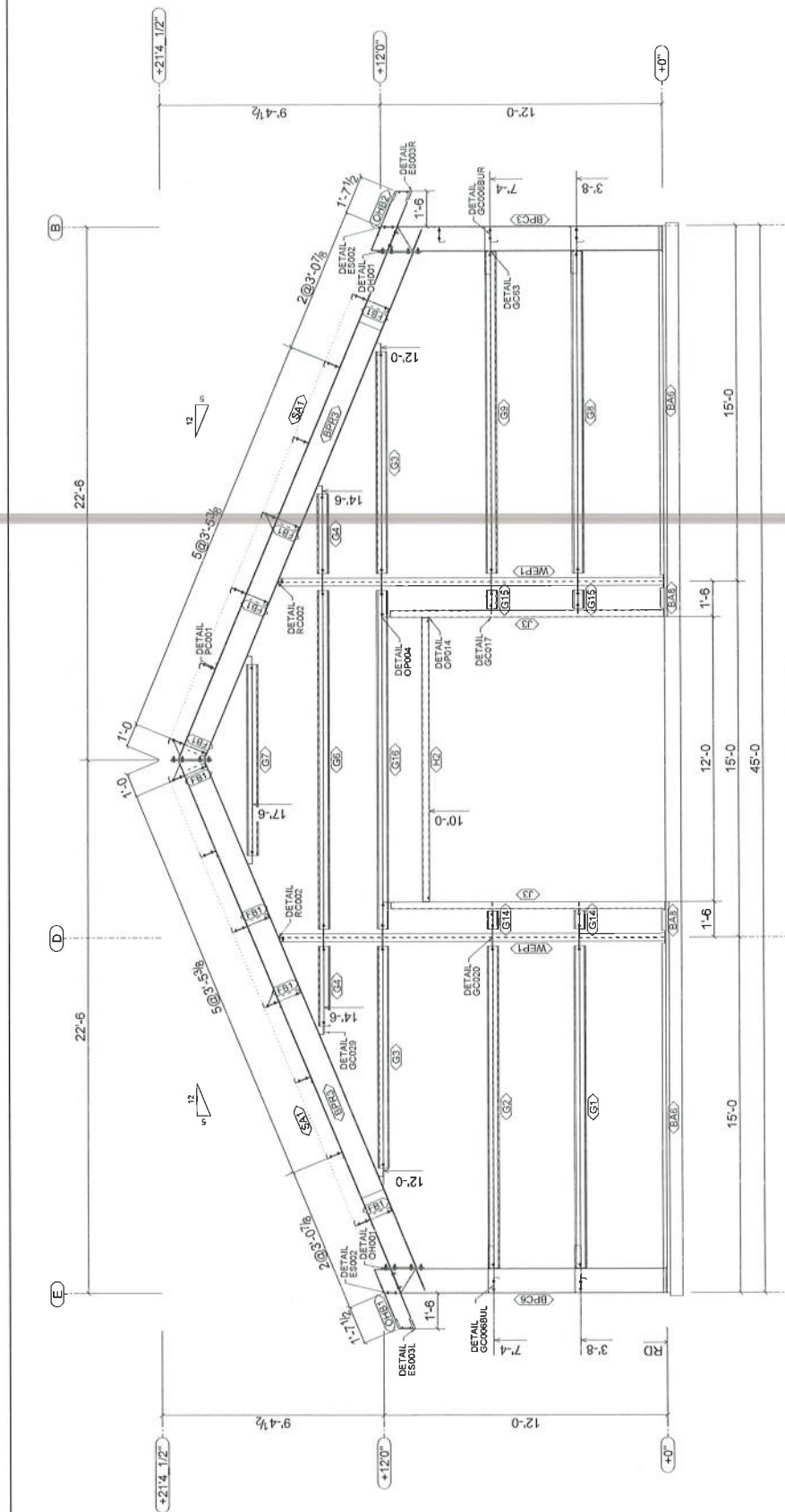
**MUELLER, INC.**  
 STEEL BUILDING SYSTEMS & COMPONENTS  
 1913 Hutchins Ave. Ballinger, TX 76821  
 (800) 527-1087



SALESMAN	DATE	TRG	CHK	APP	REV
DOUG PLANCHARD	11/23/2020				0
JOSH AUSTIN					0

WALL ELEVATION AT GRID 1.1, 1.6  
 BUILDING DESCRIPTION  
 45'-0" X 50'-0" X 12'-0"  
 SLODELL LA 70458  
 JOB# 5993056

11/23/2020  
 DWG # E6



WALL ELEVATION AT GRID 3  
 "THIS ENDWALL FRAME IS NOT EXPANDABLE"

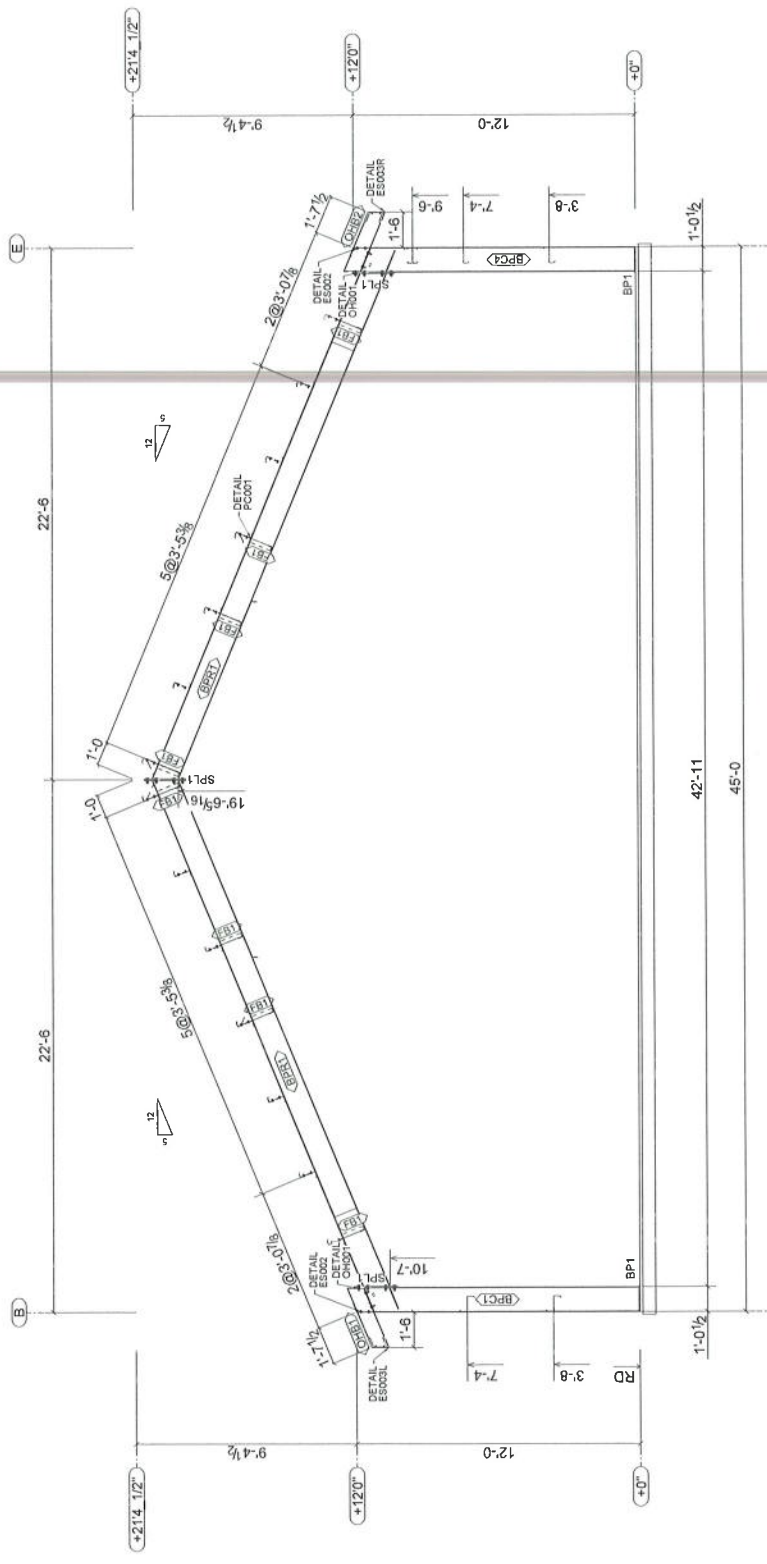
Qty	Mark	Profile	Finish	Length
1	BPC3	SH110GAX12"	RO	
1	BPC6	SH110GAX12"	RO	
2	BPR3	SH110GAX12"	RO	
1	CHB1	WBX10	RO	
1	CHB2	WBX10	RO	
2	VEP1	WBX10	RO	
2	BA6	WBX10	RO	11'-7 5/8"
2	BA8	L4X2X1/4GA	RO	14'-8 1/2"
2	BA8	L4X2X1/4GA	RO	8'-0 1/2"
8	FB1	2X3, 12	RO	2'-7 11/16"
1	G1	8X25216	RO	13'-6 15/16"
1	G2	8X25214	RO	13'-6 15/16"
2	G3	8X25214	RO	9'-4 7/16"
1	G6	8X25216	RO	14'-3 5/16"
1	G7	8X25216	RO	8'-0 11/16"
1	G8	8X25216	RO	13'-6 15/16"
1	G9	8X25214	RO	13'-6 15/16"
2	G14	8X25214	RO	0'-9 5/16"
2	G15	8X25214	RO	0'-9 5/16"
1	G16	8X25216	RO	14'-3 5/16"
1	H2	8X35214	RO	11'-11 1/2"

Detail ID	Boled Parts	Bolt Description
CH001	OH1	4 - 5/8" x 2" A325N
	OH2	4 - 5/8" x 2" A325N
RC002	BPR3	2 - 5/8" x 2" A325N
	VEP1	2 - 5/8" x 2" A325N

STATE OF LOUISIANA  
 GORDON R. VENABLE  
 License No. 37455  
 PROFESSIONAL ENGINEER  
 IN  
 CIVIL ENGINEERING  
 Gordon R. Venable  
 11/23/2020

0 11/20/2020 For Construction  
 DESCRIPTION  
**MUELLER, INC.**  
 STEEL BUILDING SYSTEMS & COMPONENTS  
 1913 HUTCHINS AVE.,  
 BALLINGER, TX 76821  
 DRAWING DESCRIPTION  
 45'-0" X 50'-0" X 12'-0"  
 DOUG PLANCHARD  
 SALESMAN  
 JOSH AUSTIN  
 CHECKER  
 DATE 11/23/2020  
 JOB # 5993056  
 DWG # E7  
 0

ALL ENDWALL COLUMNS AND JAMBS ARE DESIGNED AS POSTS AS DEFINED BY OSHA AND ARE NOT INTENDED TO BE CLIMBED ON UNTIL FULLY BRACED.



**FRAME ELEVATION ON GRID 1**

\*\*\*THIS ENDWALL FRAME IS NOT EXPANDABLE\*\*\*

BUILT UP MEMBER TABLE		Thick	Max Width	Length
Mark	Type			
BPC1	IF	PL1/4"x6"	x 133 7/8"	x 133 7/8"
OF	OF	PL1/4"x6"	x 134 11/16"	
BPC4	USB	PL1/4"x6"	x 133 7/8"	
OF	OF	PL1/4"x6"	x 134 11/16"	
BPR1	WB	SHT10GAx12"	x 240"	
IF	IF	PL1/4"x6"	x 48 5/8"	
OF	OF	PL1/4"x6"	x 228 7/8"	
OF	OF	PL1/4"x6"	x 43 1/2"	
WB	WB	SHT10GAx12"	x 234"	
			x 42 5/8"	

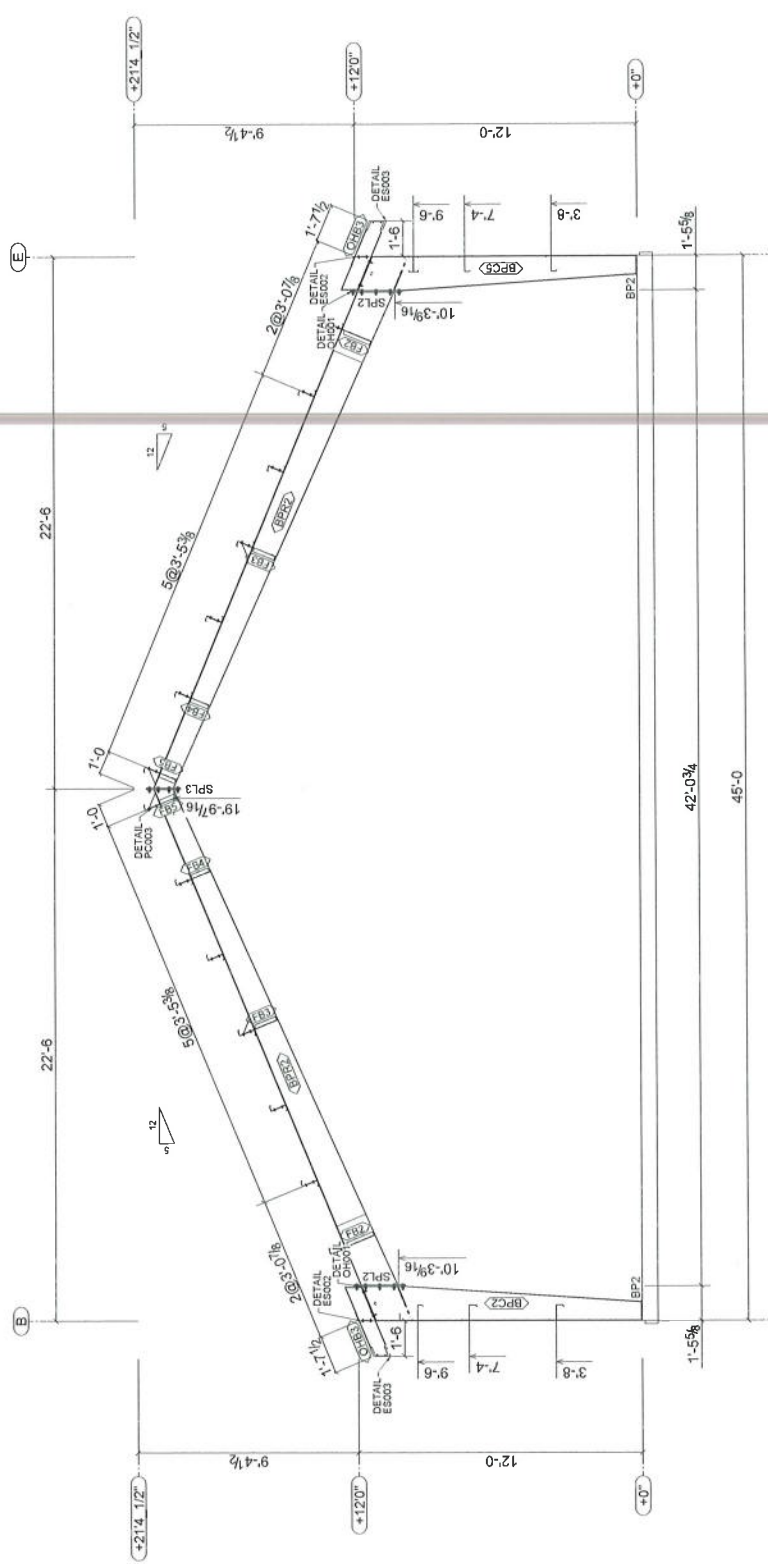
Bolt of Materials		Profile	Finish	Length
Qty	Mark			
1	BPC1	PL1/4"x12"	RO	
1	BPC4	PL1/4"x12"	RO	
2	BPR1	SHT10GAx12"	RO	
1	CHB1	WBX10	RO	
1	CHB2	WBX10	RO	
8	FBI	2X2L12	RO	2'-7 1/16"

Connection Plate and Bolt Table		Plate Profile	Bolt Description
Mark	Ref. AB PLAN		
SPL1	PL1/2"x6" x 13"	8 - 3/4" x 2 1/2" A325N	
SPL1	PL1/2"x6" x 21"	8 - 3/4" x 2 1/2" A325N	
SPL1	PL1/2"x6" x 21"	8 - 3/4" x 2 1/2" A325N	

Component Bolt Table		Detail ID	Bolted Parts	Bolt Description
CH001	CHB1	↓	BPC1	4 - 5/8" x 2" A325N
CH001	CHB2	↓	BPC4	4 - 5/8" x 2" A325N

STATE OF LOUISIANA  
 GORDON R. VENABLE  
 License No. 37455  
 PROFESSIONAL ENGINEER  
 IN  
 CIVIL ENGINEERING  
 Gordon R. Venable  
 11/23/2020

0 11/20/2020 For Construction  
 REV DATE DESCRIPTION  
**MUELLER, INC.**  
 STEEL BUILDING SYSTEMS & COMPONENTS  
 1913 Hutchins Ave. Ballinger TX 76821  
 (800) 527-1087  
 BUILDING DESCRIPTION  
 DOUG PLANCHARD  
 45'-0" X 50'-0" X 12'-0"  
 SLIDELL, LA 70458  
 SALESMAN  
 JOSH AUSTIN  
 DATE 11/23/2020  
 DWG.# 5993056  
 TRG E8 0



FRAME ELEVATION ON GRID 2

BUILT UP MEMBER TABLE			
Mark	Type	Thick x Main Width x Length	
BPC2	WB	PL3/16"x17"	x 141.1116"
	IF	PL5/16"x6"	x 134.558"
	US	PL3/16"x17"	x 141.1116"
	IF	PL5/16"x6"	x 119.1116"
	OF	PL5/16"x6"	x 134.558"
BPC3	WB	SHT10GAx15 7/8"	x 240"
	IF	PL5/16"x6"	x 45.516"
	OF	PL5/16"x6"	x 230.116"
	OF	PL5/16"x6"	x 33"
	WB	SHT10GAx17"	x 39.316"

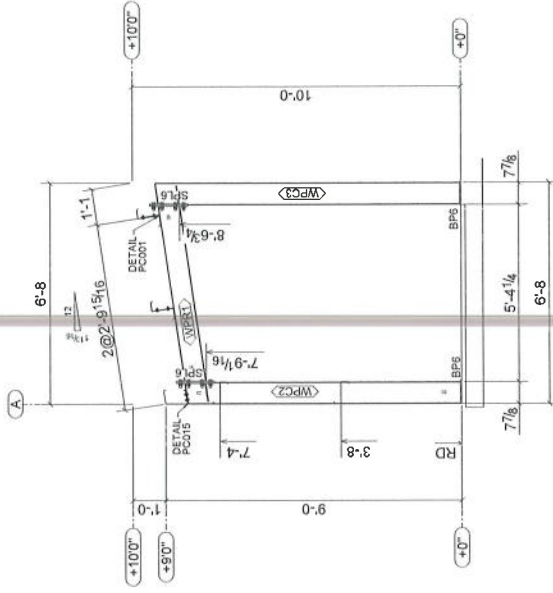
Bill of Materials			
Qty	Mark	Profile	Finish
1	BPC2	PL3/16"x17"	RO
2	BPC3	SHT10GAx15 7/8"	RO
4	FB2	2X2L12	RO
4	FB3	2X2L12	RO
4	FB4	2X2L12	RO
4	FB5	2X2L12	RO

Connection Plate and Bolt Table	
Mark	Bolt Description
CH001	REF. AS PLAN
SPL2	10 - 3/4" x 2 1/2" A325N
SPL3	10 - 3/4" x 2 1/2" A325N
SPL4	10 - 3/4" x 2 1/2" A325N
SPL5	8 - 3/4" x 2 1/2" A325N

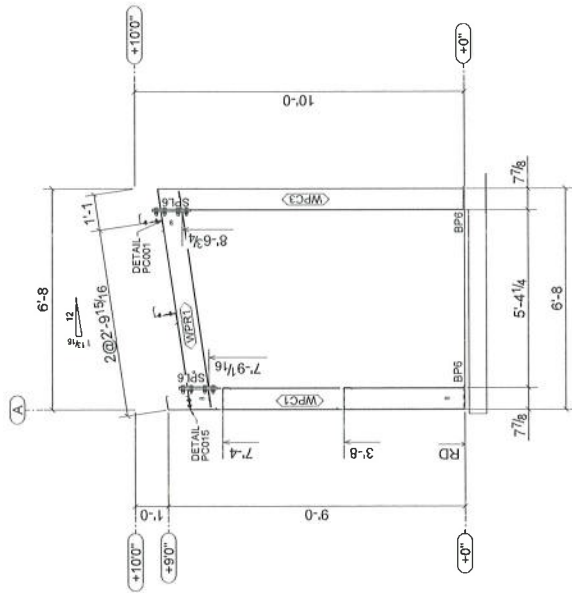
Component Bolt Table	
Detail ID	Bolt Description
CH001	4 - 5/8" x 2" A325N
CH002	4 - 5/8" x 2" A325N
CH003	4 - 5/8" x 2" A325N
CH004	4 - 5/8" x 2" A325N

STATE OF LOUISIANA  
 GORDON R. VENABLE  
 License No. 37455  
 PROFESSIONAL ENGINEER  
 IN  
 CIVIL ENGINEERING  
 Gordon R. Venable

0 11/20/2020 For Construction  
 REV DATE DESCRIPTION  
 0 11/20/2020 For Construction  
**MUELLER, INC.**  
 STEEL BUILDING SYSTEMS & COMPONENTS  
 1913 Hutchins Ave. Ballinger, TX 76821  
 (800) 527-1087  
 BUILDING DESCRIPTION  
 45'-0" X 50'-0" X 12'-0"  
 5,000 SF  
 1-28  
 DATE 11/23/2020  
 DWG# E9 0  
 5993056



FRAME ELEVATION ON GRID 1.1



FRAME ELEVATION ON GRID 1.6

STATE OF LOUISIANA  
 GORDON R. VENABLE  
 License No. 37455  
 PROFESSIONAL ENGINEER  
 IN  
 CIVIL ENGINEERING  
*Gordon R. Venable*

REV	DATE	DESCRIPTION
0	11/20/2020	For Construction

**MUELLER, INC.**  
 STEEL BUILDING SYSTEMS & COMPONENTS  
 1913 Hutchins Ave. Ballinger, TX 76821  
 (800) 527-1087

PROJECT: 11/23/2020  
 TRG

JOB # 5993056

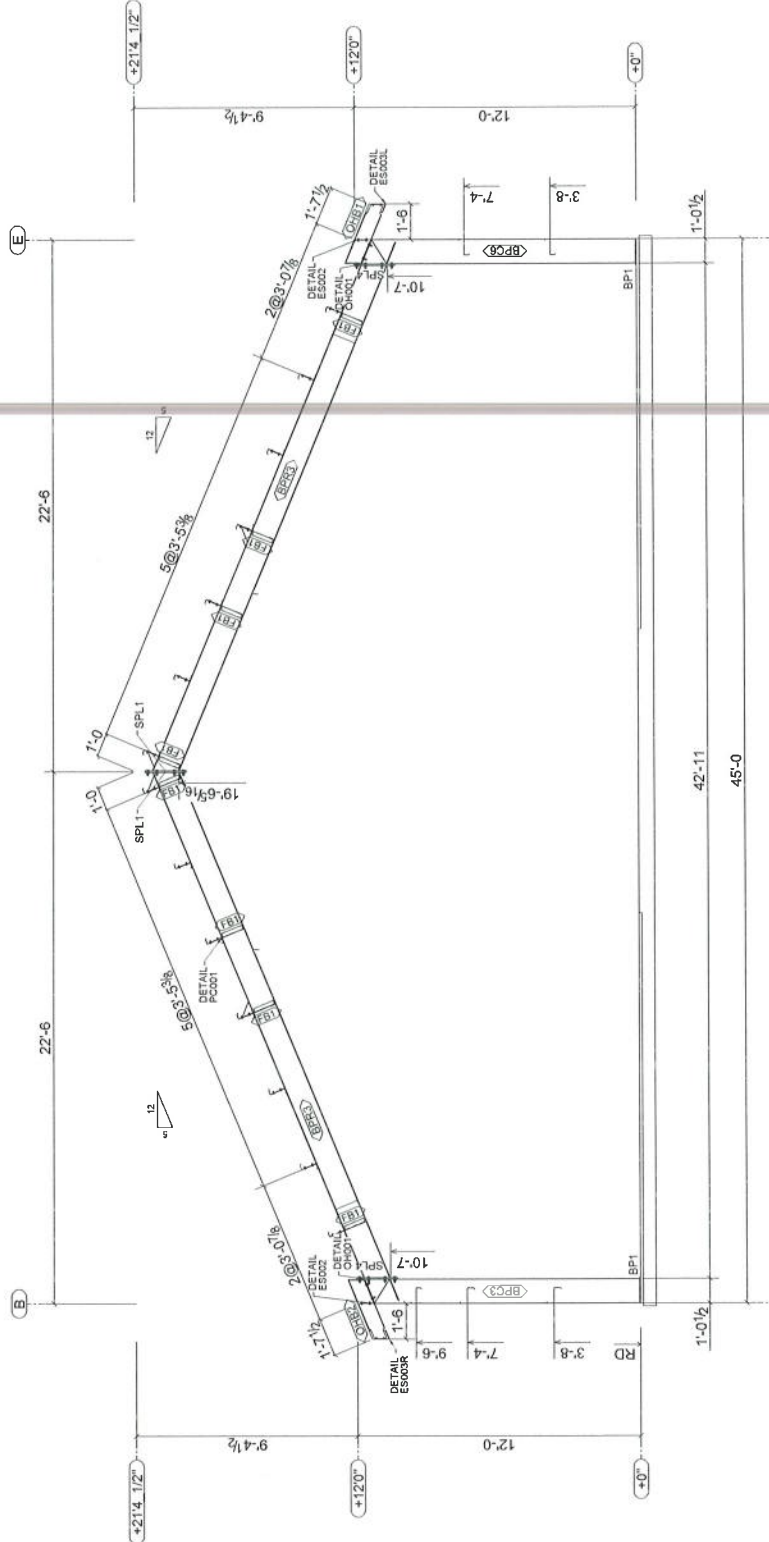
DATE 11/23/2020  
 CHECKER  
 DRAWN BY

SCALE: 1/8" = 1'-0"  
 SHEET: 500-12  
 TOTAL SHEETS: 120

Bill of Materials			
Qty	Mark	Profile	Finish
1	WPC1	WBX10	RO
1	WPC2	WBX10	RO
2	WPC3	WBX10	RO
2	WPR1	WBX10	RO

Connection Plate and Bolt Table			
Mark	Plate Profile	Bolt Description	Ref. AS PLAN
BPS	PL 1/2" x 8" x 12"	8 - 3/4" x 2 1/2" A325N	8 - 3/4" x 2 1/2" A325N
SPL5	PL 1/2" x 6" x 14"	8 - 3/4" x 2 1/2" A325N	8 - 3/4" x 2 1/2" A325N
SPL6	PL 1/2" x 6" x 14"	8 - 3/4" x 2 1/2" A325N	8 - 3/4" x 2 1/2" A325N
SPL7	PL 1/2" x 6" x 14"	8 - 3/4" x 2 1/2" A325N	8 - 3/4" x 2 1/2" A325N

Component Bolt Table			
Detail ID	Bolled Parts	Bolt Description	



FRAME ELEVATION ON GRID 3

THIS ENDWALL FRAME IS NOT EXPANDABLE

BUILT UP MEMBER TABLE			
Mark	Type	Thick. x No. Web x Length	
BPC3	WB	SHT10GAx12" x 134 11/16"	
	OF	PL1/2x6" x 132 7/8"	
	OF	PL1/4x6" x 134 11/16"	
BPC6	WB	SHT10GAx12" x 132 7/8"	
	OF	PL1/4x6" x 134 11/16"	
BPR3	WB	SHT10GAx12" x 240"	
	IF	PL1/4x6" x 48 5/8"	
	IF	PL1/4x6" x 28 7/8"	
	OF	PL1/4x6" x 43 1/2"	
	OF	PL1/4x6" x 234"	
	WB	SHT10GAx12" x 42 5/8"	

Bill of Materials			
Qty	Mark	Profile	Finish
1	BPC3	SHT10GAx12"	RO
1	BPC6	SHT10GAx12"	RO
2	BPR3	SHT10GAx12"	RO
1	CHB1	WBX10	RO
1	CHB2	WBX10	RO
8	FBI	2x3x12	RO

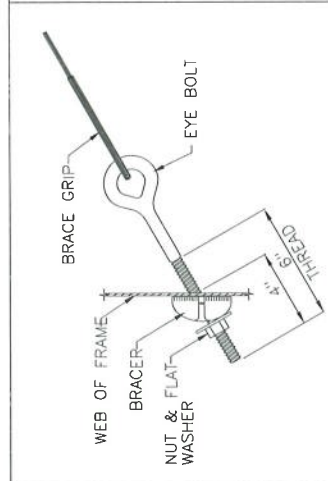
Connection Plate and Bolt Table			
Mark	Plate Profile	Bolt Description	
BPC3	PL1/2x6" x 13"	REF. AB PLAN	
BPC6	PL1/2x6" x 21"	8 - 3/4" x 2 1/2" A325N	
SPL1	PL1/2x6" x 21"	8 - 3/4" x 2 1/2" A325N	
SPL4	PL1/2x6" x 21"	8 - 3/4" x 2 1/2" A325N	

Component Bolt Table			
Detail ID	Boiled Parts	Bolt Description	
CHD01	↓	↓	
CHB1	→	4 - 5/8" x 2" A325N	
CHB2	→	4 - 5/8" x 2" A325N	
CHB3	→	4 - 5/8" x 2" A325N	

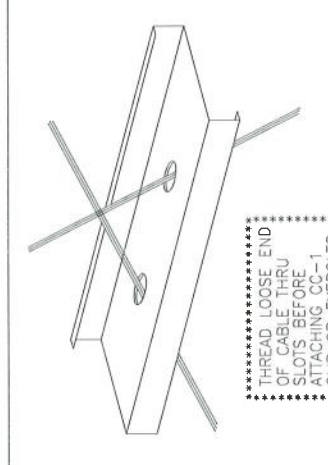
STATE OF LOUISIANA  
 GORDON R. VENABLE  
 License No. 37455  
 PROFESSIONAL ENGINEER  
 IN  
 CIVIL ENGINEERING  
 Gordon R. Venable  
 11/23/2020

0 11/20/2020 For Construction  
 DESCRIPTION  
**MUELLER, INC.**  
 STEEL BUILDING SYSTEMS & COMPONENTS  
 1913 Hutchins Ave. Ballinger, TX 76821  
 (800) 527-1087  
 DESIGNER: JOSH AUSTIN  
 DATE: 11/23/2020  
 TRG  
 5993056  
 E11 0

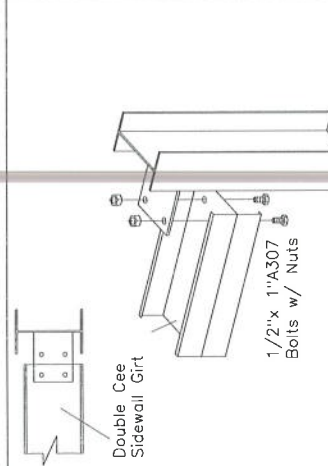
REVISIONS:  
 REV 0 11/20/2020 For Construction  
 BUILDING DESCRIPTION: STEEL BUILDING SYSTEMS & COMPONENTS  
 PROJECT: 25'-0" X 50'-0" X 12'-0"  
 DRAWING: 500-12  
 SHEET: 1-28  
 JOB: SLIDELL LA 70458  
 DWG # 5993056



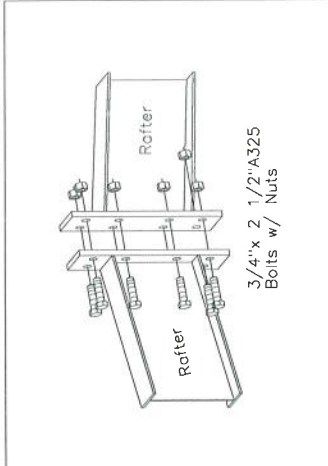
**BR001** CABLE TO COLUMN OR RAFTER WEB WITH EYEBOLT ATTACHMENT



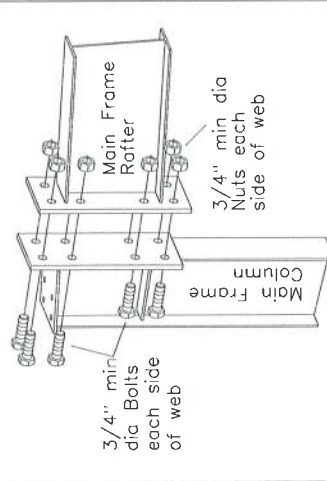
**ES002** TYPICAL CABLE BRACE SLOT IN GIRT



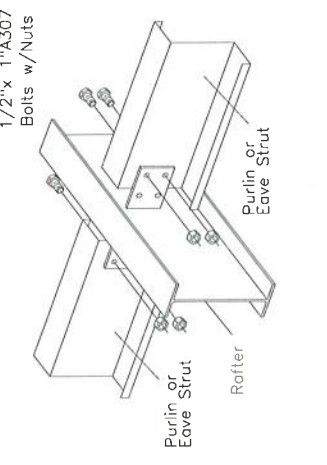
**DC001** FLUSH DOUBLE CEE CONNECTION



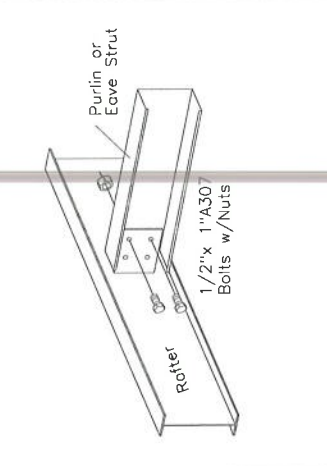
**ES002R** TYPICAL RAFTER, SPLICE CONNECTION AT PEAK



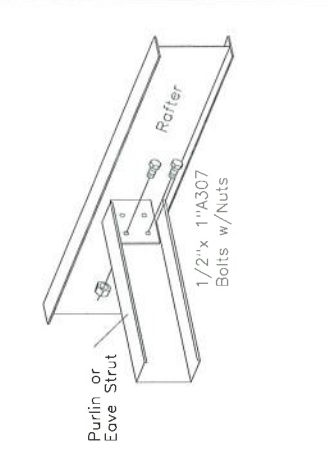
**ES003** TYPICAL FLUSH COLUMN TO MAINFRAME RAFTER



**ES002L** FLUSH ROOF PURLIN OR EAVE STRUT TO RAFTER



**ES003L** FLUSH EAVE STRUT TO OVERHANG ENDWALL RAFTER



**ES002** FLUSH ROOF PURLIN OR EAVE STRUT TO RAFTER

ALL A325 STRUCTURAL BOLT CONNECTIONS SHOWN IN THESE DETAILS HAVE STANDARD MINIMUM BOLT INFORMATION. FOR SPECIFIC BOLT QUANTITIES AND SIZES, REFER TO COMPONENT BOLT TABLES LOCATED ON FRAME AND WALL ELEVATION DWGS.

STATE OF LOUISIANA  
 GORDON R. VENABLE  
 License No. 37455  
 PROFESSIONAL ENGINEER IN

*Gordon R. Venable*

0 11/20/2020 For Construction

REV DATE DESCRIPTION

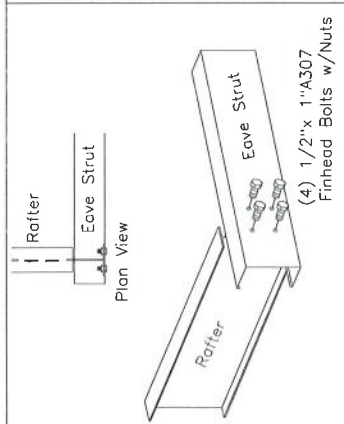
**MUELLER, INC.**  
 STEEL BUILDING SYSTEMS & COMPONENTS  
 1913 Hutchins. Ave. Ballinger, TX 76821  
 (800) 527-1087

DESCRIPTION

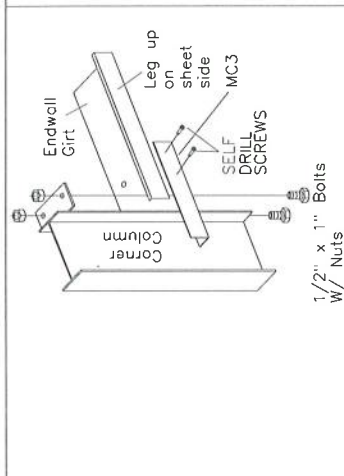
EXHAUST  
 ROOF SLOPE  
 JOIST  
 JOIST  
 JOIST

DOUG PLANCHARD  
 JOSH AUSTIN

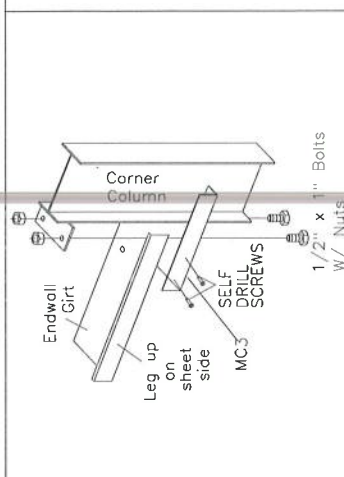
DATE 11/23/2020  
 DWG# E101



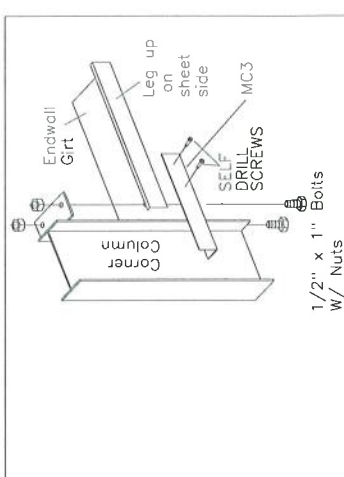
**ES003R** FLUSH EAVE STRUT TO OVERHANG ENDWALL RAFTER



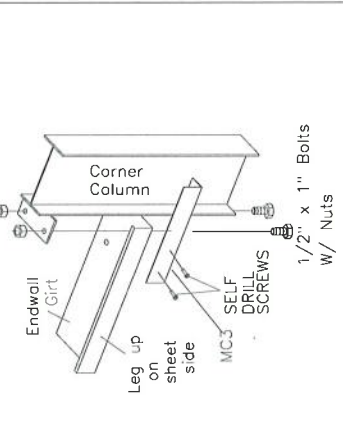
**GC002BUEI** CORNER COLUMN TO ENDWALL GIRT



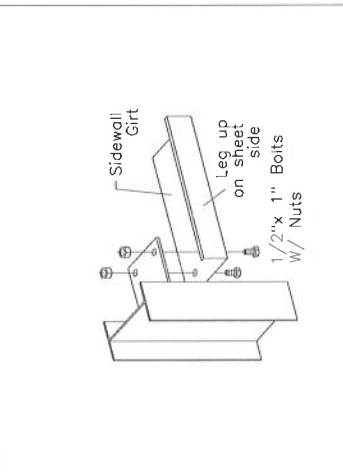
**GC002BUER** CORNER COLUMN TO ENDWALL GIRT



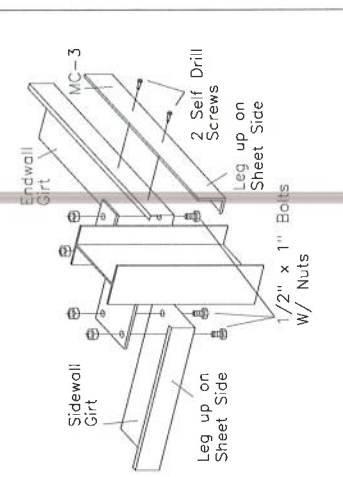
**GC002EL** CORNER COLUMN TO ENDWALL GIRT



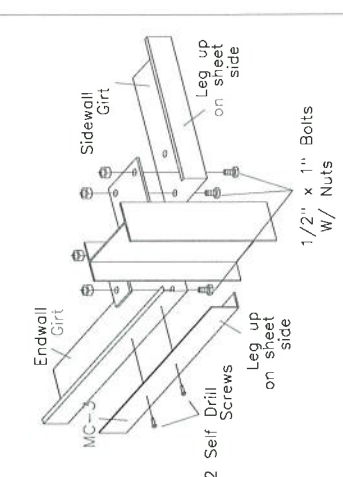
**GC002ER** CORNER COLUMN TO ENDWALL GIRT



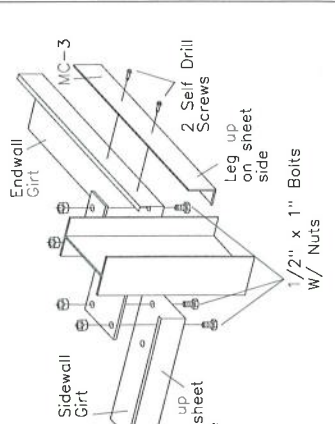
**GC003BUSR** CORNER COLUMN TO SIDEWALL GIRT



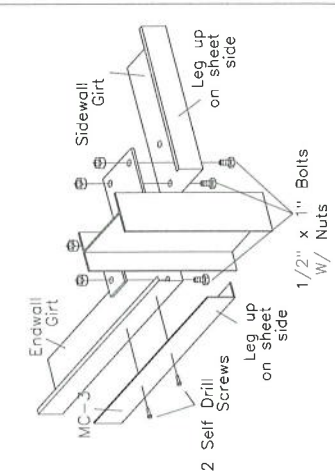
**GC006BUL** CORNER COLUMN TO WALL GIRTS



**GC006BUR** CORNER COLUMN TO WALL GIRTS



**GC0006L** CORNER COLUMN TO WALL GIRTS



**GC0006R** CORNER COLUMN TO WALL GIRTS



ALL A325 STRUCTURAL BOLT CONNECTIONS SHOWN IN THESE DETAILS HAVE STANDARD MINIMUM BOLT INFORMATION. FOR SPECIFIC BOLT QUANTITIES AND SIZES, REFER TO COMPONENT BOLT TABLES LOCATED ON FRAME AND WALL ELEVATION DWGS.

STATE OF LOUISIANA  
 GORDON R. VENABLE  
 License No. 37455  
 PROFESSIONAL ENGINEER  
 IN  
 CIVIL ENGINEERING  
 Gordon R. Venable  
 11/23/2020

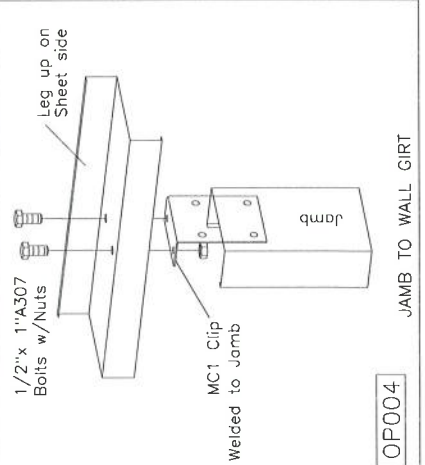
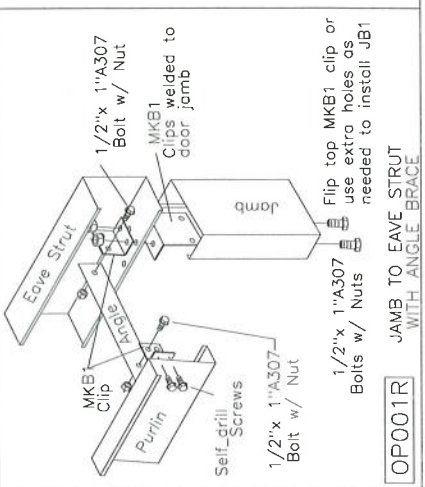
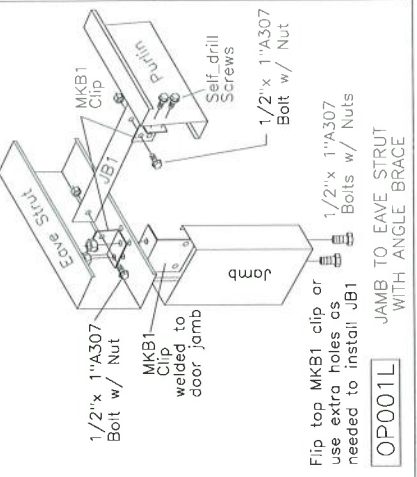
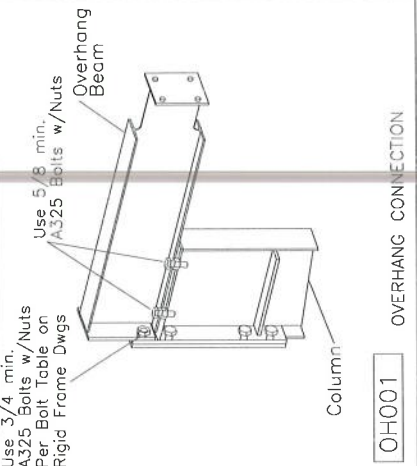
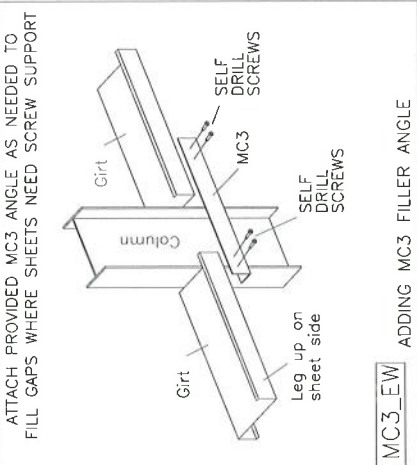
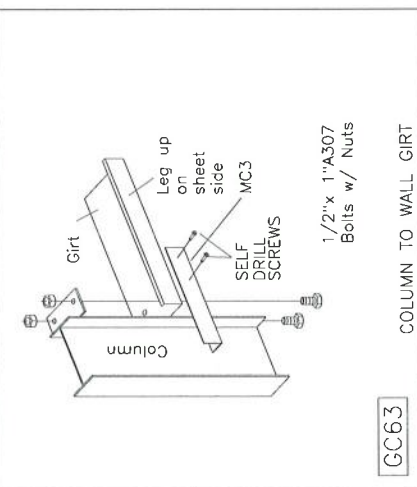
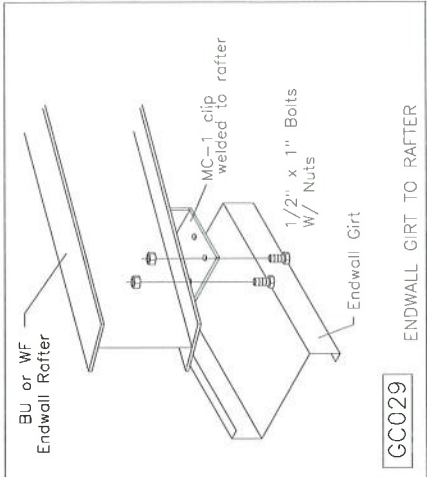
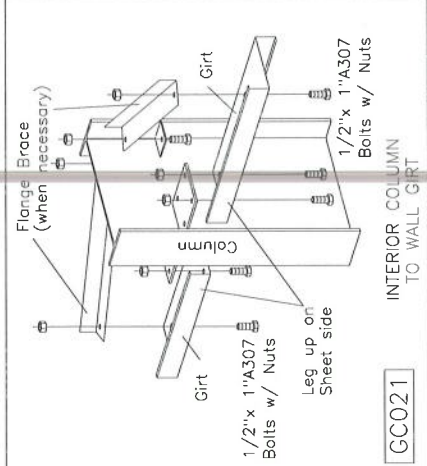
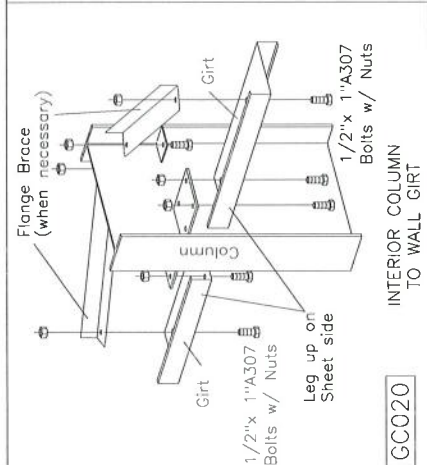
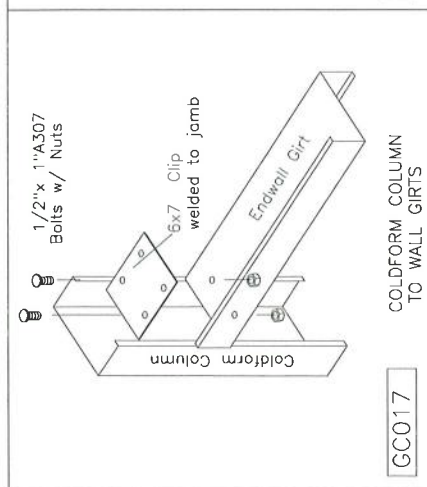
0 11/20/2020 For Construction

REV	DATE	DESCRIPTION
0	11/20/2020	For Construction

**MUELLER, INC.**  
 STEEL BUILDING SYSTEMS & COMPONENTS  
 1913 Hutchins Ave. Ballinger, TX 76821  
 (800) 527-1087

PREPARED BY: DOUG BLANCHARD  
 CHECKED BY: JOSH AUSTIN  
 DATE: 11/23/2020  
 DWG# 5993056  
 REV# 0

PROJECT: SLIDELL, LA 70458  
 E102



ALL A325 STRUCTURAL BOLT CONNECTIONS SHOWN IN THESE DETAILS HAVE STANDARD MINIMUM BOLT INFORMATION. FOR SPECIFIC BOLT QUANTITIES AND SIZES, REFER TO COMPONENT BOLT TABLES LOCATED ON FRAME AND WALL ELEVATION DWGS.

STATE OF LOUISIANA  
GORDON R. VEIVABLE  
License No. 37455  
PROFESSIONAL ENGINEER  
IN  
CIVIL ENGINEERING  
Gordon R. Veivable

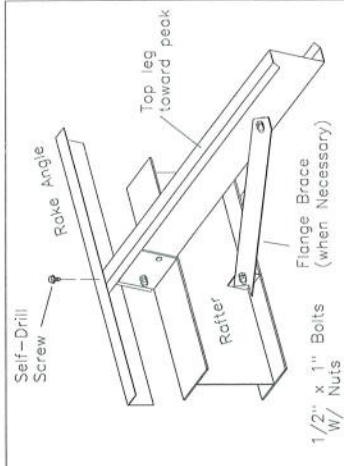
0 11/20/2020 For Construction

REV DATE DESCRIPTION

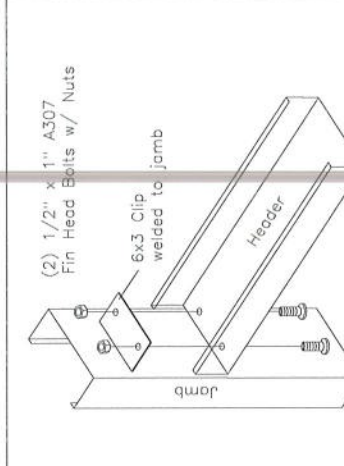
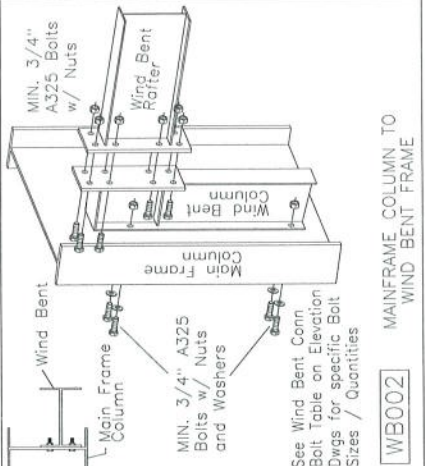
**MUELLER, INC.**  
STEEL BUILDING SYSTEMS & COMPONENTS  
1913 HUTCHINS AVE.  
BELLINGER, TX 76821  
(800) 527-1087

PROJECT: SLIDEWAY  
LOCATION: SLIDEWAY  
DRAWING NO.: 10-112  
DATE: 11/23/2020  
JOB #: 59930556

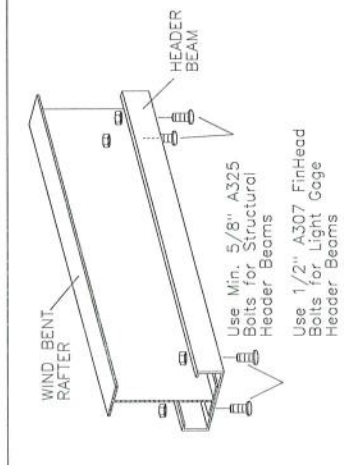
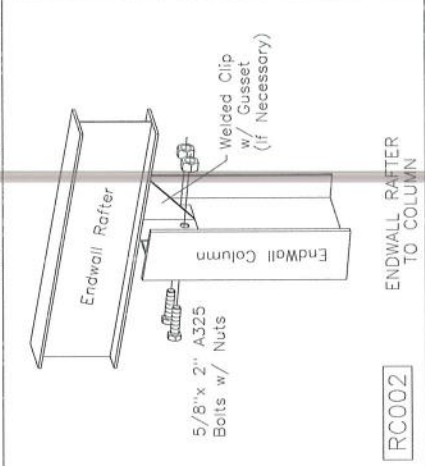
SCALE: NONE  
E103 0



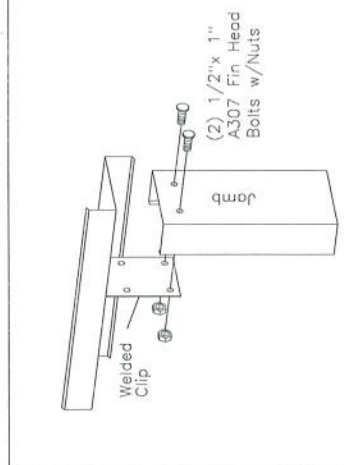
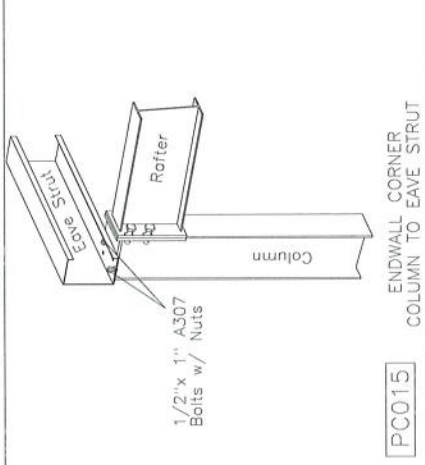
PC001 ENDWALL RAFTER TO ROOF PURLIN



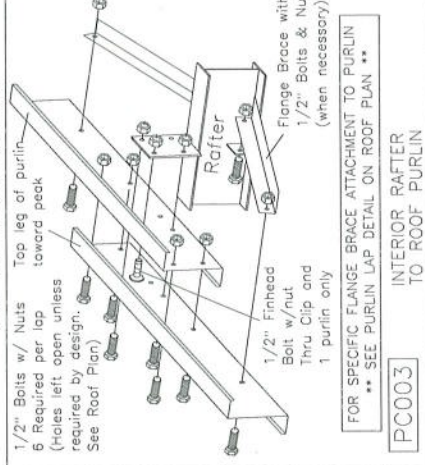
OP014 HEADER TO JAMB



OP007 HEADER BOLTING TO OVERHEAD RAFTER



OP005 GIRT OR HEADER TO JAMB



ALL A325 STRUCTURAL BOLT CONNECTIONS SHOWN IN THESE DETAILS HAVE STANDARD MINIMUM BOLT INFORMATION. FOR SPECIFIC BOLT QUANTITIES AND SIZES, REFER TO COMPONENT BOLT TABLES LOCATED ON FRAME AND WALL ELEVATION DWGS.

STATE OF LOUISIANA

GORDON R. VENABLE License No. 37455 PROFESSIONAL ENGINEER IN CIVIL ENGINEERING

City of Metairie

Gordon R. Venable

11/23/2020

REV	DATE	DESCRIPTION
0	11/20/2020	For Construction

TRG

DATE: 11/23/2020

DRAWN: E104

0

**MUELLER, INC.**  
STEEL BUILDING SYSTEMS & COMPONENTS  
1913 Hutchins Ave. Ballinger, TX 76821  
(800) 527-1087

PROJECT: SUDELL LA 70458

REVISION	DATE	DESCRIPTION
0	11/20/2020	For Construction

TRG

DATE: 11/23/2020

DRAWN: E104

0

REVISION	DATE	DESCRIPTION
0	11/20/2020	For Construction

TRG

DATE: 11/23/2020

DRAWN: E104

0

REVISION	DATE	DESCRIPTION
0	11/20/2020	For Construction

TRG

DATE: 11/23/2020

DRAWN: E104

0

REVISION	DATE	DESCRIPTION
0	11/20/2020	For Construction

TRG

DATE: 11/23/2020

DRAWN: E104

0

REVISION	DATE	DESCRIPTION
0	11/20/2020	For Construction

TRG

DATE: 11/23/2020

DRAWN: E104

0

REVISION	DATE	DESCRIPTION
0	11/20/2020	For Construction

TRG

DATE: 11/23/2020

DRAWN: E104

0

REVISION	DATE	DESCRIPTION
0	11/20/2020	For Construction

TRG

DATE: 11/23/2020

DRAWN: E104

0

REVISION	DATE	DESCRIPTION
0	11/20/2020	For Construction

TRG

DATE: 11/23/2020

DRAWN: E104

0

REVISION	DATE	DESCRIPTION
0	11/20/2020	For Construction

TRG

DATE: 11/23/2020

DRAWN: E104

0

REVISION	DATE	DESCRIPTION
0	11/20/2020	For Construction

TRG

DATE: 11/23/2020

DRAWN: E104

0

REVISION	DATE	DESCRIPTION
0	11/20/2020	For Construction

TRG

DATE: 11/23/2020

DRAWN: E104

0

REVISION	DATE	DESCRIPTION
0	11/20/2020	For Construction

TRG

DATE: 11/23/2020

DRAWN: E104

0

REVISION	DATE	DESCRIPTION
0	11/20/2020	For Construction

TRG

DATE: 11/23/2020

DRAWN: E104

0

REVISION	DATE	DESCRIPTION
0	11/20/2020	For Construction

TRG

DATE: 11/23/2020

DRAWN: E104

0

REVISION	DATE	DESCRIPTION
0	11/20/2020	For Construction

TRG

DATE: 11/23/2020

DRAWN: E104

0

REVISION	DATE	DESCRIPTION
0	11/20/2020	For Construction

TRG

DATE: 11/23/2020

DRAWN: E104

0

REVISION	DATE	DESCRIPTION
0	11/20/2020	For Construction

TRG

DATE: 11/23/2020

DRAWN: E104

0

REVISION	DATE	DESCRIPTION
0	11/20/2020	For Construction

TRG

DATE: 11/23/2020

DRAWN: E104

0

REVISION	DATE	DESCRIPTION
0	11/20/2020	For Construction

TRG

DATE: 11/23/2020

DRAWN: E104

0

REVISION	DATE	DESCRIPTION
0	11/20/2020	For Construction

TRG

DATE: 11/23/2020

DRAWN: E104

0

REVISION	DATE	DESCRIPTION
0	11/20/2020	For Construction

TRG

DATE: 11/23/2020

DRAWN: E104

0

REVISION	DATE	DESCRIPTION
0	11/20/2020	For Construction

TRG

DATE: 11/23/2020

DRAWN: E104

0

REVISION	DATE	DESCRIPTION
0	11/20/2020	For Construction

TRG

DATE: 11/23/2020

DRAWN: E104

0

REVISION	DATE	DESCRIPTION
0	11/20/2020	For Construction

TRG

DATE: 11/23/2020

DRAWN: E104

0

REVISION	DATE	DESCRIPTION
0	11/20/2020	For Construction

TRG

DATE: 11/23/2020

DRAWN: E104

0

REVISION	DATE	DESCRIPTION
0	11/20/2020	For Construction

TRG

DATE: 11/23/2020

DRAWN: E104

0

REVISION	DATE	DESCRIPTION
0	11/20/2020	For Construction

TRG

DATE: 11/23/2020

DRAWN: E104

0

REVISION	DATE	DESCRIPTION
0	11/20/2020	For Construction

TRG

DATE: 11/23/2020

DRAWN: E104

0

REVISION	DATE	DESCRIPTION
0	11/20/2020	For Construction

TRG

DATE: 11/23/2020

DRAWN: E104

0

REVISION	DATE	DESCRIPTION
0	11/20/2020	For Construction

TRG

DATE: 11/23/2020

DRAWN: E104

0

REVISION	DATE	DESCRIPTION
0	11/20/2020	For Construction

TRG

DATE: 11/23/2020

DRAWN: E104

0

REVISION	DATE	DESCRIPTION
0	11/20/2020	For Construction

TRG

DATE: 11/23/2020

DRAWN: E104

0

REVISION	DATE	DESCRIPTION
0	11/20/2020	For Construction

TRG

DATE: 11/23/2020

DRAWN: E104

0

REVISION	DATE	DESCRIPTION
0	11/20/2020	For Construction

TRG

DATE: 11/23/2020

DRAWN: E104

0

REVISION	DATE	DESCRIPTION
0	11/20/2020	For Construction

TRG

DATE: 11/23/2020

DRAWN: E104

0

REVISION	DATE	DESCRIPTION
0	11/20/2020	For Construction

TRG

DATE: 11/23/2020

DRAWN: E104

0

REVISION	DATE	DESCRIPTION
0	11/20/2020	For Construction

TRG

DATE: 11/23/2020

DRAWN: E104

0

REVISION	DATE	DESCRIPTION
0	11/20/2020	For Construction

TRG

DATE: 11/23/2020

DRAWN: E104

0

REVISION	DATE	DESCRIPTION
0	11/20/2020	For Construction

TRG

DATE: 11/23/2020

DRAWN: E104

0

REVISION	DATE	DESCRIPTION
0	11/20/2020	For Construction

TRG

DATE: 11/23/2020

DRAWN: E104

0

REVISION	DATE	DESCRIPTION
0	11/20/2020	For Construction

TRG

DATE: 11/23/2020

DRAWN: E104

0

REVISION	DATE	DESCRIPTION
0	11/20/2020	For Construction

TRG

DATE: 11/23/2020

DRAWN: E104

0

REVISION	DATE	DESCRIPTION
0	11/20/2020	For Construction

TRG

DATE: 11/23/2020

DRAWN: E104

0

REVISION	DATE	DESCRIPTION
0	11/20/2020	For Construction

TRG

DATE: 11/23/2020

DRAWN: E104

0

REVISION	DATE	DESCRIPTION
0	11/20/2020	For Construction

TRG

DATE: 11/23/2020

DRAWN: E104

0

REVISION	DATE	DESCRIPTION
0	11/20/2020	For Construction

TRG

DATE: 11/23/2020

DRAWN: E104

0

REVISION	DATE	DESCRIPTION
0	11/20/2020	For Construction

TRG

DATE: 11/23/2020

DRAWN: E104

0

REVISION	DATE	DESCRIPTION
0	11/20/2020	For Construction

TRG

DATE: 11/23/2020

DRAWN: E104

0

REVISION	DATE	DESCRIPTION
0	11/20/2020	For Construction

TRG

DATE: 11/23/2020

DRAWN: E104

0

REVISION	DATE	DESCRIPTION
0	11/20/2020	For Construction

TRG

DATE: 11/23/2020

DRAWN: E104

0

REVISION	DATE	DESCRIPTION
0	11/20/2020	For Construction

TRG

DATE: 11/23/2020

DRAWN: E104

0

REVISION	DATE	DESCRIPTION
0	11/20/2020	For Construction

TRG

DATE: 11/23/2020

DRAWN: E104

0

REVISION	DATE	DESCRIPTION
0	11/20/2020	For Construction

TRG

DATE: 11/23/2020

DRAWN: E104

0

REVISION	DATE	DESCRIPTION
0	11/20/2020	For Construction

TRG

DATE: 11/23/2020

DRAWN: E104

0

REVISION	DATE	DESCRIPTION
0	11/20/2020	For Construction

TRG

DATE: 11/23/2020

DRAWN: E104

0

REVISION	DATE	DESCRIPTION
0	11/20/2020	For Construction

TRG

DATE: 11/23/2020

DRAWN: E104

0

REVISION	DATE	DESCRIPTION
0	11/20/2020	For Construction

TRG

DATE: 11/23/2020

DRAWN: E104

0

REVISION	DATE	DESCRIPTION
0	11/20/2020	For Construction

TRG

DATE: 11/23/2020

DRAWN: E104

0

REVISION	DATE	DESCRIPTION
0	11/20/2020	For Construction

TRG

DATE: 11/23/2020

DRAWN: E104

0

REVISION	DATE	DESCRIPTION
0	11/20/2020	For Construction

TRG

DATE: 11/23/2020

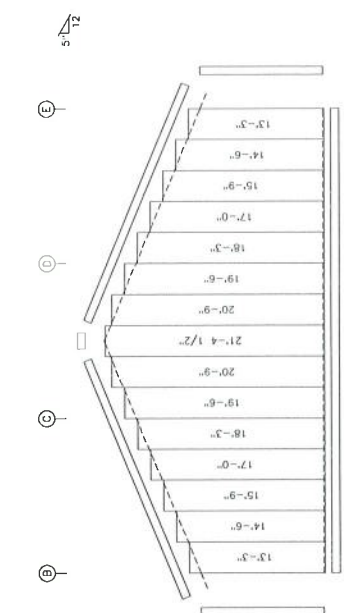
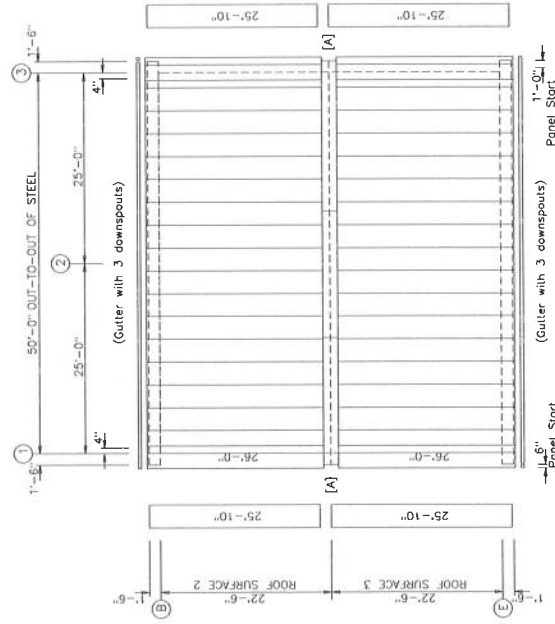
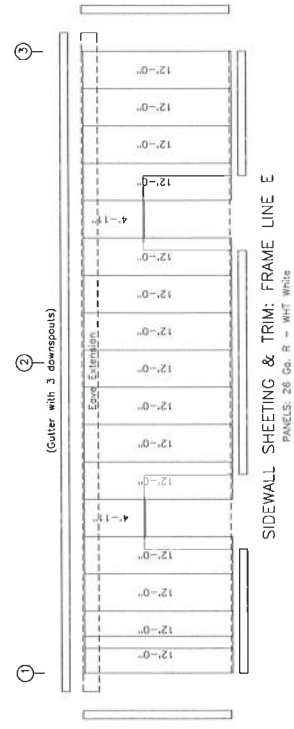
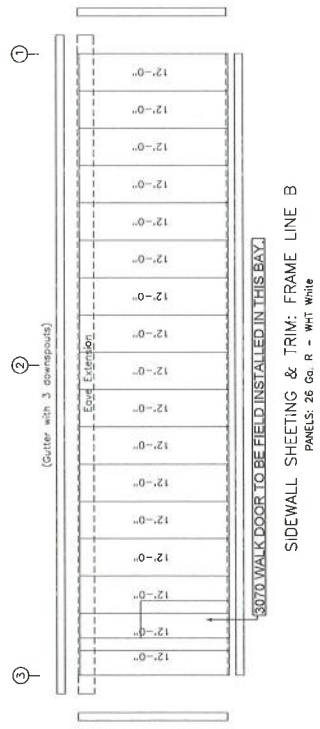
DRAWN: E104

0

REVISION	DATE	DESCRIPTION
0	11/20/2020	For Construction

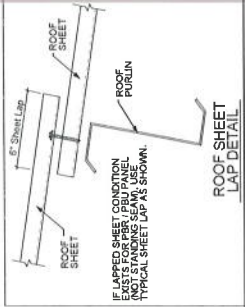
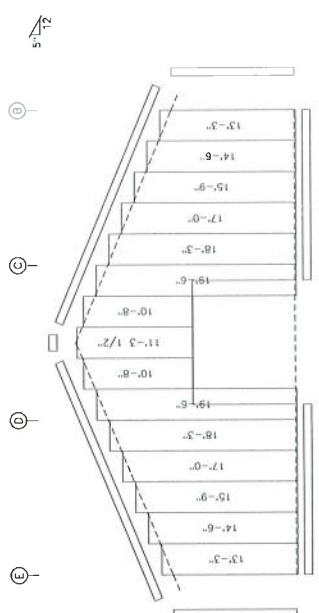
TRG

DATE: 11/23/20



**GENERAL NOTES:**

\*\*CAUTION\*\*  
THE FOLLOWING MAXIMUM ADDITIONAL LINEAR FOOTAGE MEASURED FROM THE END OF THE PANELS MAY BE USED FOR THE FRAMED OPENINGS WITHOUT AFFECTING THE DIAPHRAGM STRENGTH OF THE PANELS.  
LEFT ENDWALL: N/A  
RIGHT ENDWALL: N/A  
ROOF SLOPES GREATER THAN 1:12 REQUIRE ENDWALL PANELS BE FIELD CUT TO MATCH ROOF SLOPE.



STATE OF LOUISIANA  
GORDON R. VENABLE  
License No. 37455  
PROFESSIONAL ENGINEER  
IN  
*Gordon R. Venable*

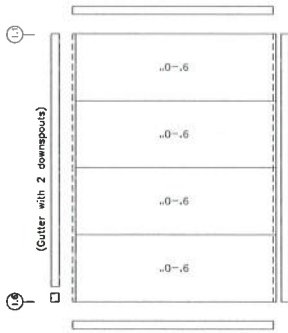
REV	DATE	DESCRIPTION
0	11/20/2020	For Construction

**MUELLER INC.**  
STEEL BUILDING SYSTEMS & COMPONENTS  
1913 Hutchins Ave. Ballinger, TX 76821  
(800) 527-1087

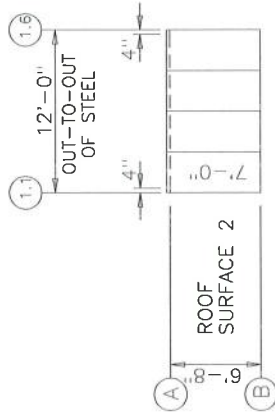
DRIVING DESCRIPTION: For Construction  
DRAWING NUMBER: 11/20/2020  
JOB #: 5993055

DATE: 11/20/2020  
DRAWN BY: S101  
CHECKED BY: TRG

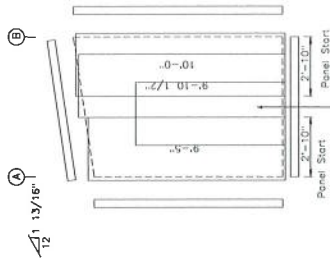
BUILDING DESCRIPTION: ROOF SLOPE: 5:12  
CORNER: 45°-0' X 50°-0' X 12°-0'  
CONTRACTOR: DOLIG PLANCHARD  
JOB: SLUDELL LA 70458  
NONE



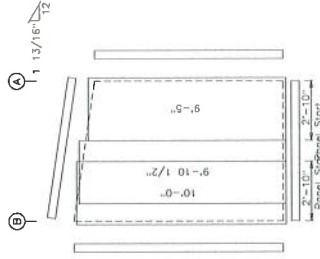
SIDEWALL SHEETING & TRIM: FRAME LINE A  
PANELS: 26 Ga. R - Wht White



ROOF SHEETING PLAN  
PANELS: 26 Ga. PBR - BSL Burnished Slate



ENDWALL SHEETING & TRIM: FRAME LINE 1.1  
PANELS: 26 Ga. R - Wht White



ENDWALL SHEETING & TRIM: FRAME LINE 1.6  
PANELS: 26 Ga. R - Wht White

3000 WALK DOOR TO BE FIELD INSTALLED IN THIS BAY.

GORDON R. VENABLE  
License No. 37455  
PROFESSIONAL ENGINEER  
IN  
CIVIL ENGINEERING

11/23/2020

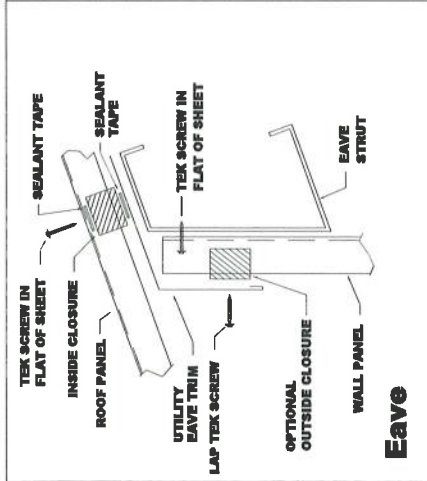
*Gordon R. Venable*

ROOF SHEET LAP DETAIL

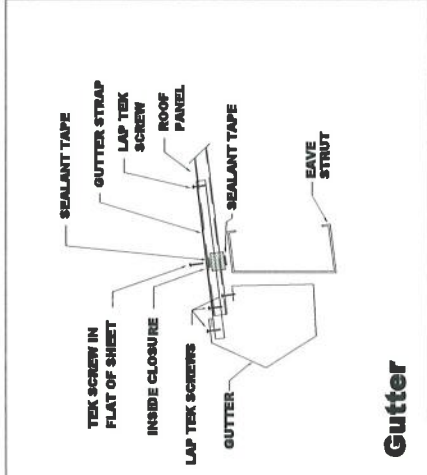
REV	DATE	DESCRIPTION
0	11/20/2020	For Construction

**MUELLER, INC.**  
STEEL BUILDING SYSTEMS & COMPONENTS  
1913 Hutchins Ave. Ballinger, TX 76821  
(800) 527-1087

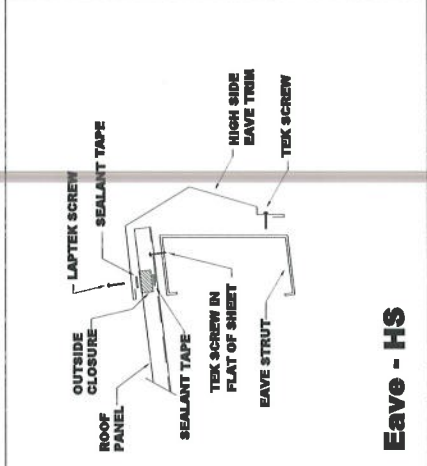
DRAWING DESCRIPTION: BUILDING DESCRIPTION: ROOF SHEET  
 EXISTING DETAILS: DOUG PLUM RICHARD 45'-0" X 50'-0" X 12'-0"  
 5-00-12  
 COORDINATOR: BOB ALSTIN NONE  
 DESIGNER: LASH ALSTIN SUDELL LA 70458  
 TRG DATE: 11/23/2020 JOB #: 5993056 DWG #: S102 0



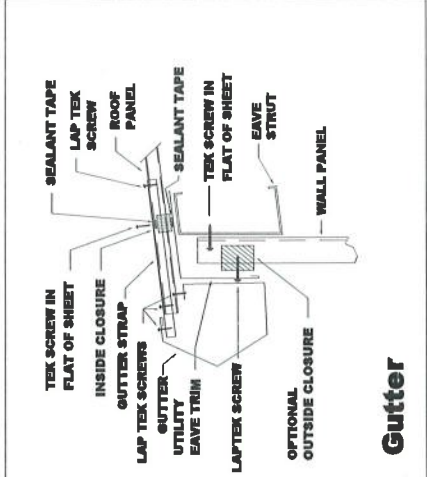
**Eave**



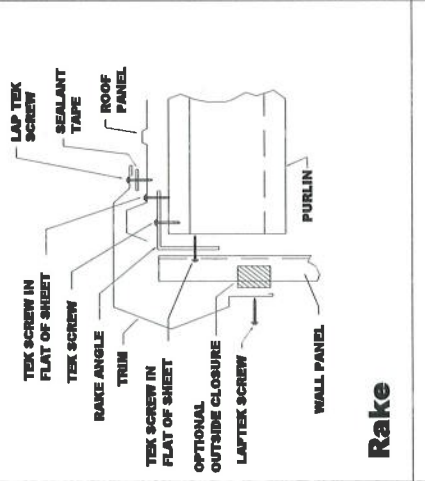
**Gutter**



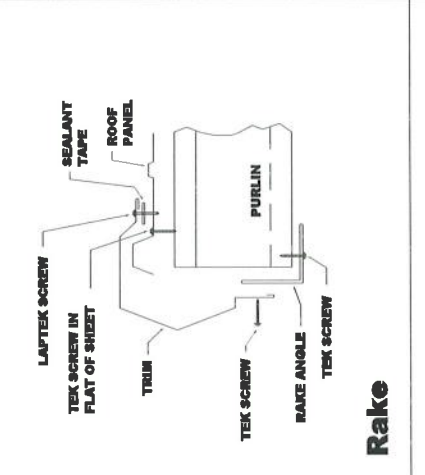
**Eave - HS**



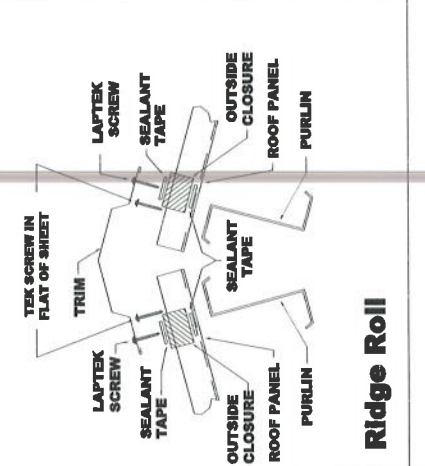
**Gutter**



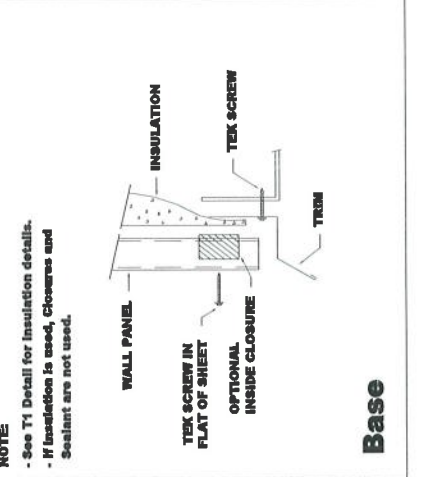
**Rake**



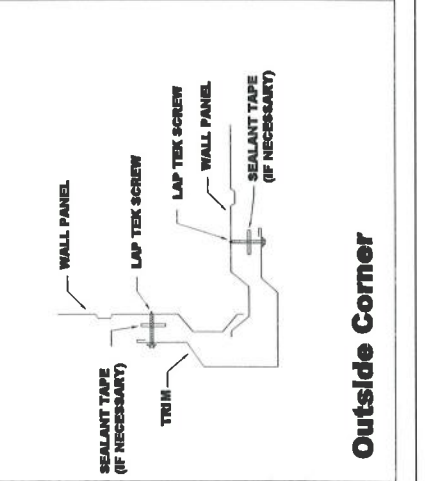
**Rake**



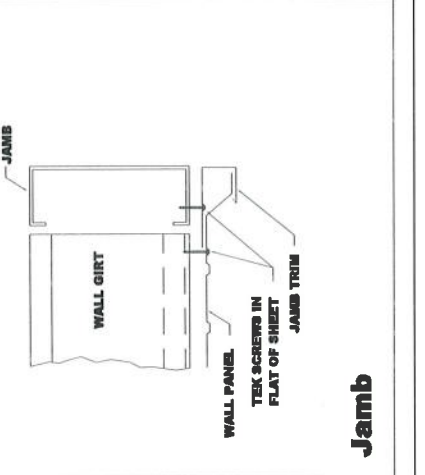
**Ridge Roll**



**Base**



**Outside Corner**



**Jamb**

**NOTE:**  
 - See T1 Detail for Insulation details.  
 - If Insulation is used, Closures and Sealant are not used.

STATE OF LOUISIANA  
 GORDON R. VENABLE  
 License No. 37455  
 PROFESSIONAL ENGINEER  
 IN  
 CIVIL ENGINEERING  
*Gordon R. Venable*

0 11/20/2020 For Construction

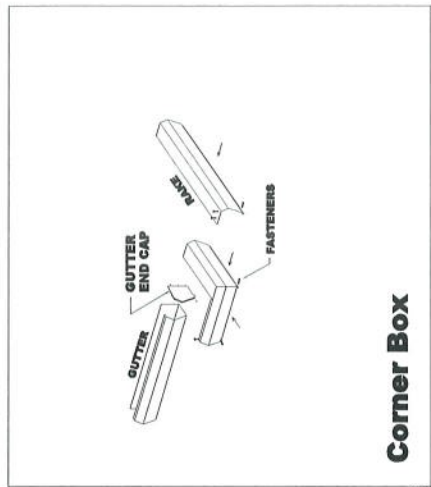
REV	DATE	DESCRIPTION
0	11/20/2020	For Construction

**MUELLER, INC.**  
 STEEL BUILDING SYSTEMS & COMPONENTS  
 1913 Hutchins. Ave. Ballinger, TX 76821  
 (800) 527-1087

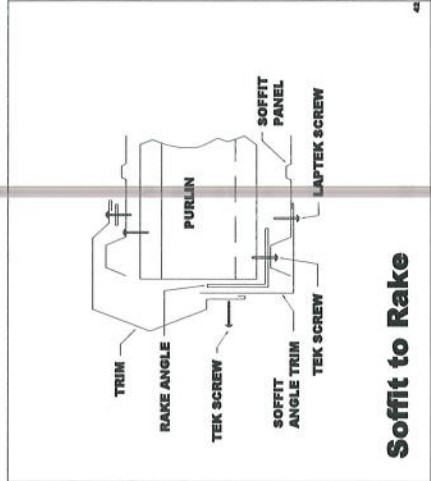
TRIM DETAILS  
 SUBMITTAL NO. 11/20/2020  
 PREPARED BY DOUG PLANCHARD  
 CHECKED BY JOSH AUSTIN  
 DATE 11/23/2020  
 JOB # 5993055

TRG

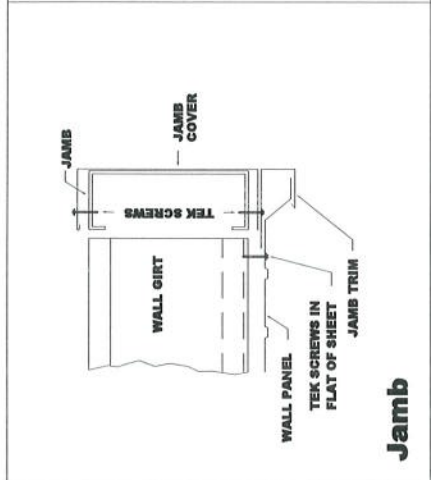
REV. 0  
 T101



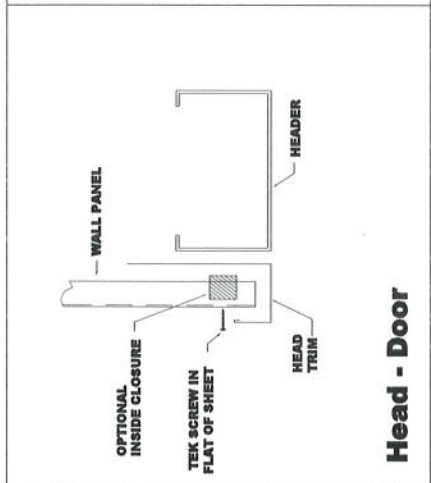
**Corner Box**



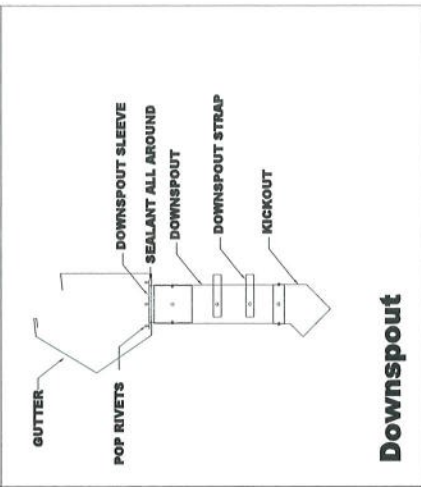
**Soffit to Rake**



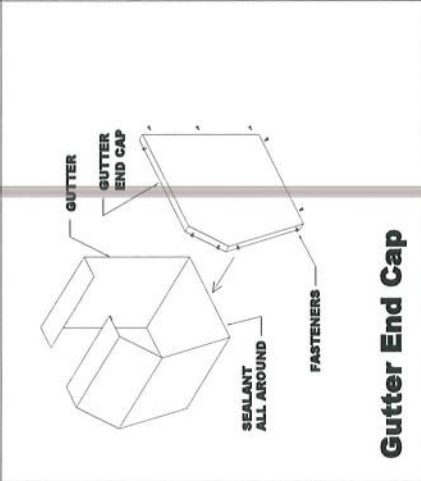
**Jamb**



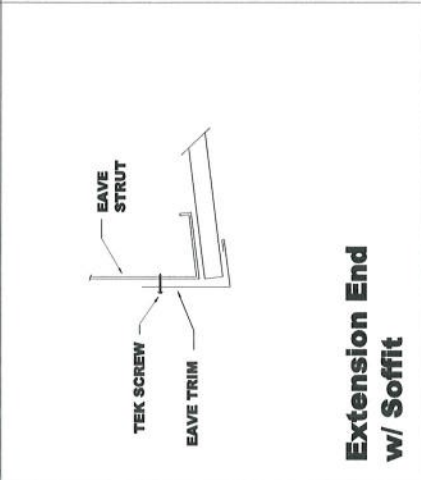
**Head - Door**



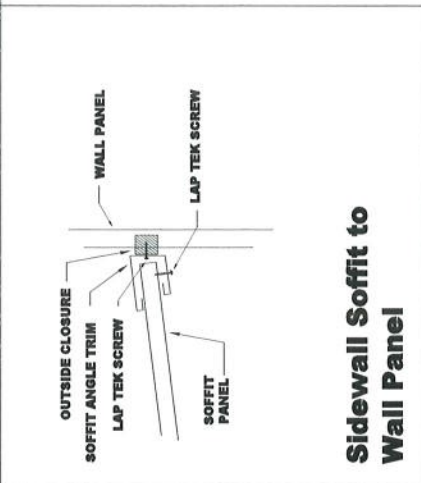
**Downspout**



**Gutter End Cap**



**Extension End w/ Soffit**



**Sidewall Soffit to Wall Panel**

GORDON R. VENABLE  
License No. 37455  
PROFESSIONAL ENGINEER  
IN  
STATE OF LOUISIANA

**MUELLER, INC.**  
STEEL BUILDING SYSTEMS & COMPONENTS  
1913 Hutchins Ave. Beltinger, TX 78821  
(800) 527-1087

REV	DATE	DESCRIPTION
0	11/20/2020	For Construction

DRAWING DESCRIPTION: BUILDING DETAILS  
 PROJECT: DOUG PLANCHARD  
 ADDRESS: 45-07 X 50-07 X 12-07  
 COUNTY: SUDBELL LA 70458  
 DATE: 11/23/2020  
 DRAWN BY: CASH/AUSTIN  
 CHECKED BY: TRG  
 DWG # 5993055  
 REV: T-102 0