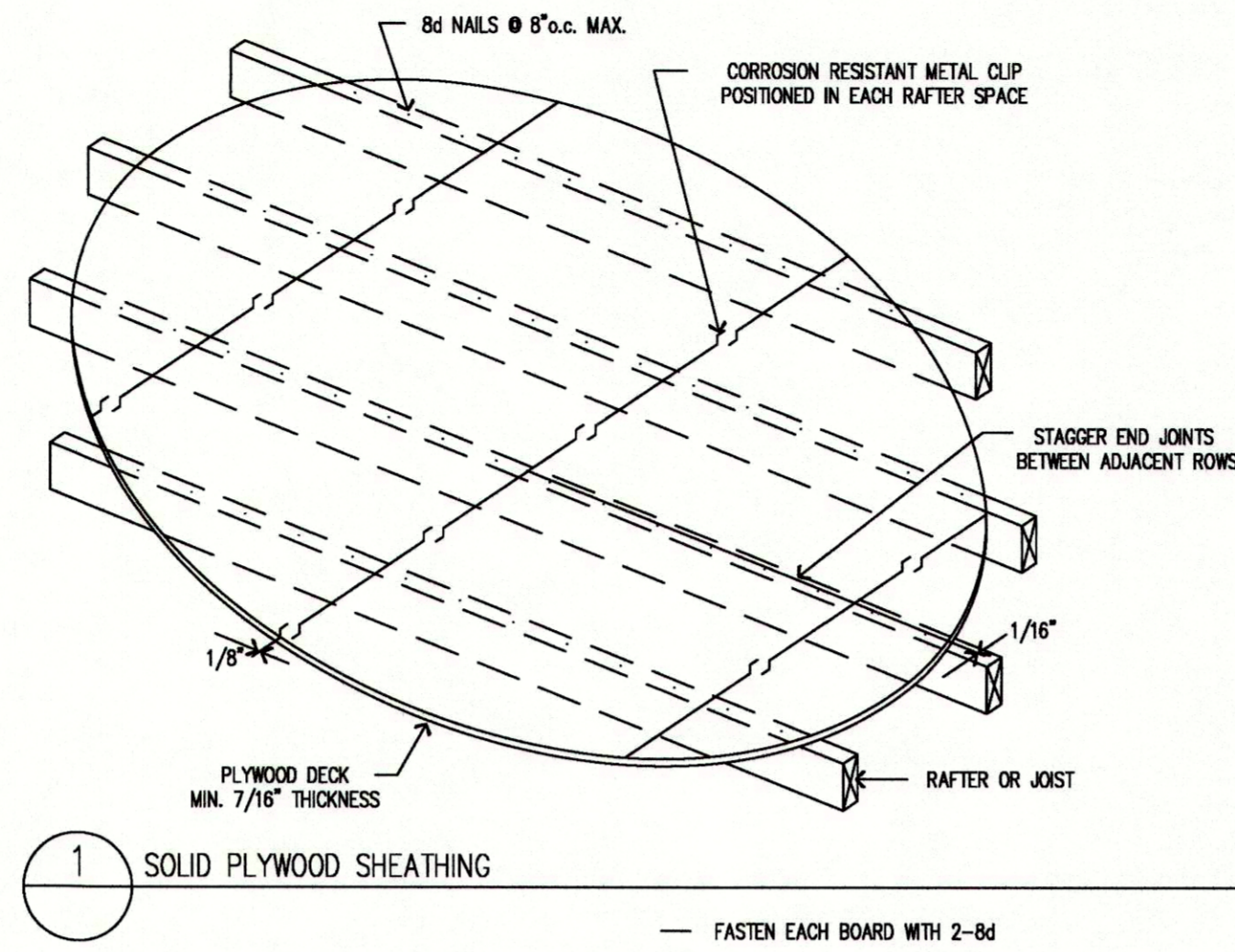
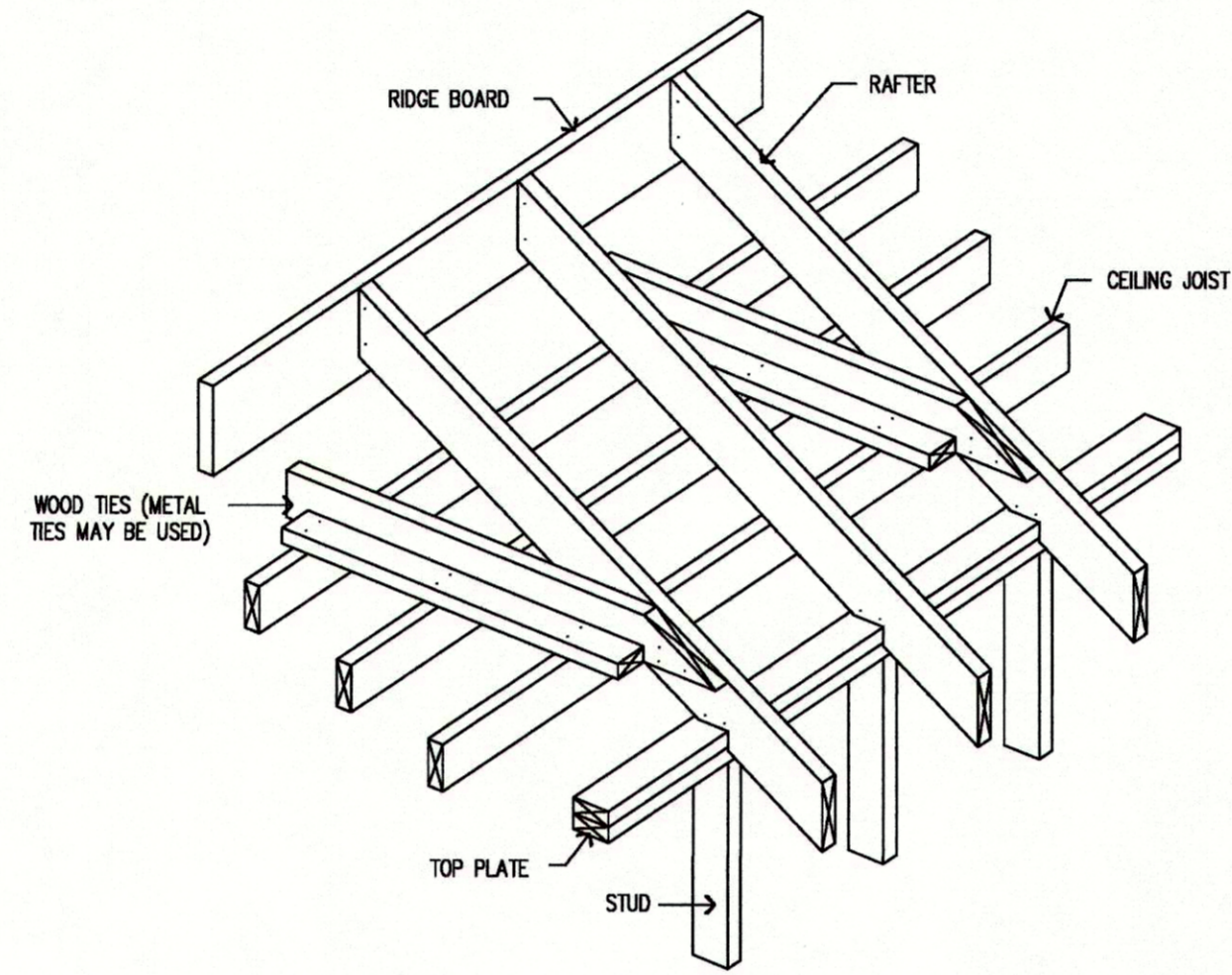


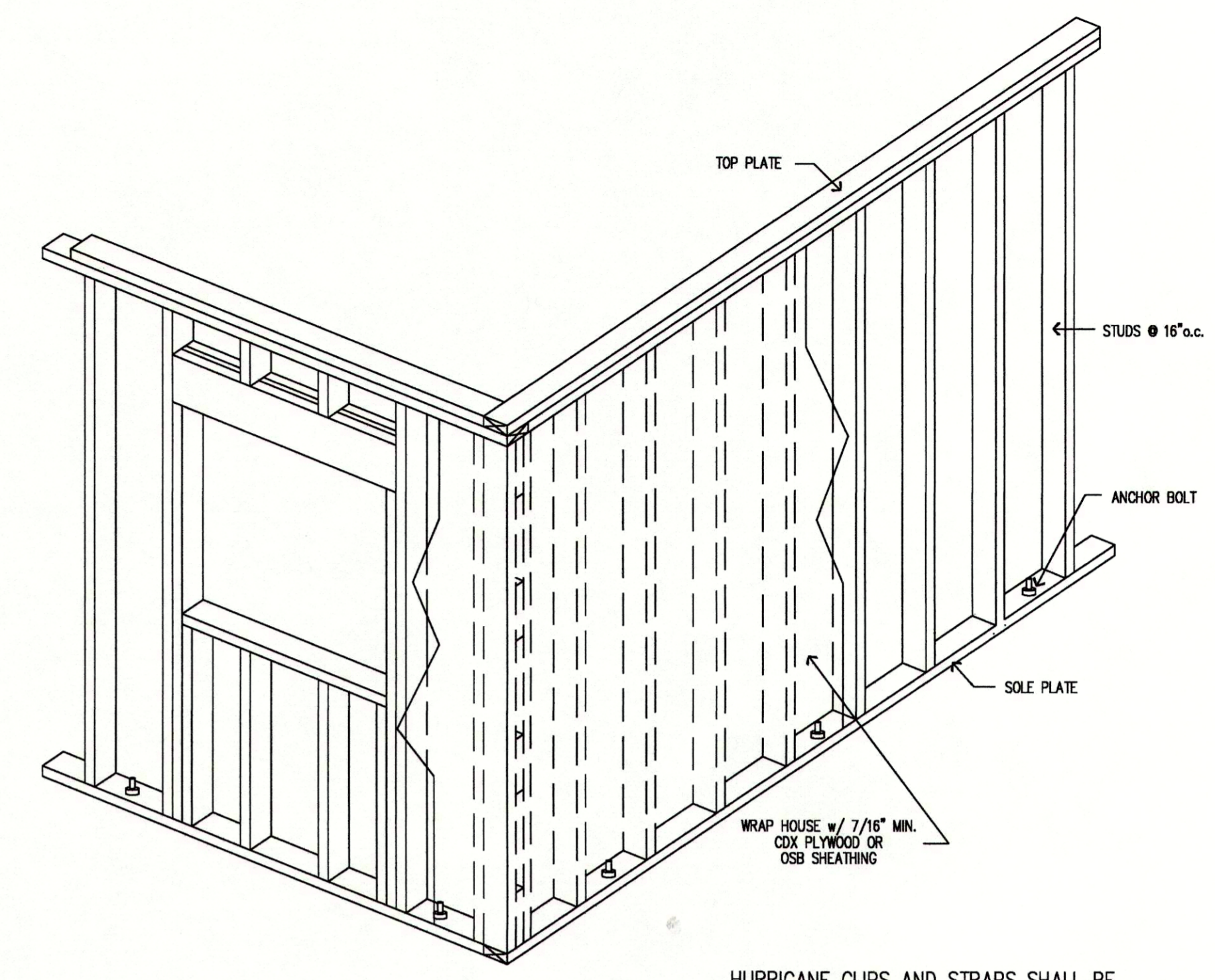
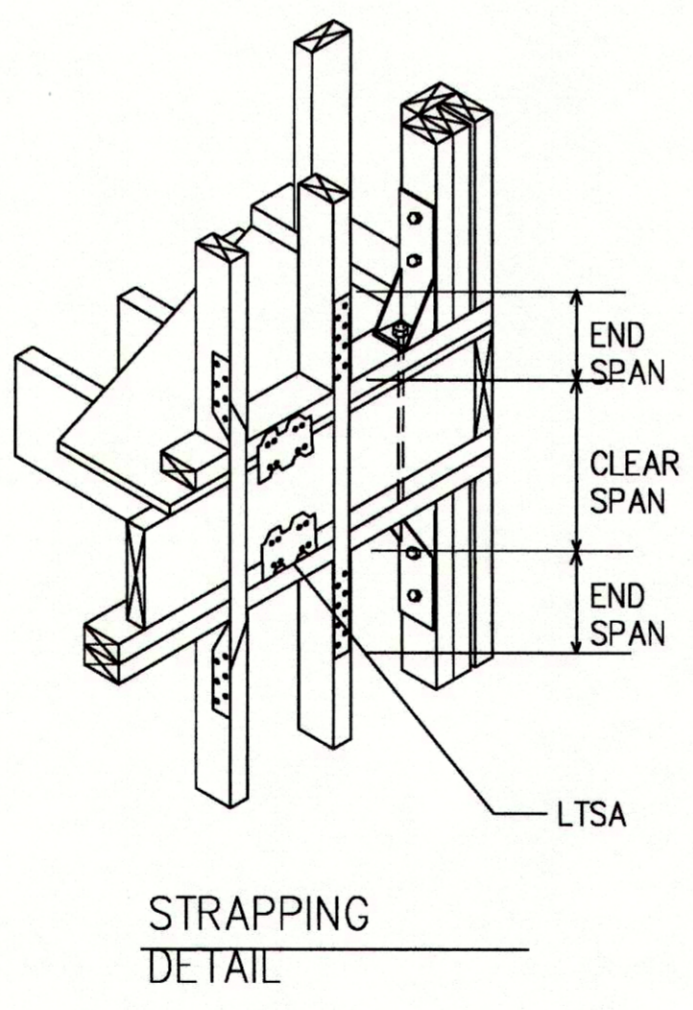
1 TWO STORY STRAPPING PLAN



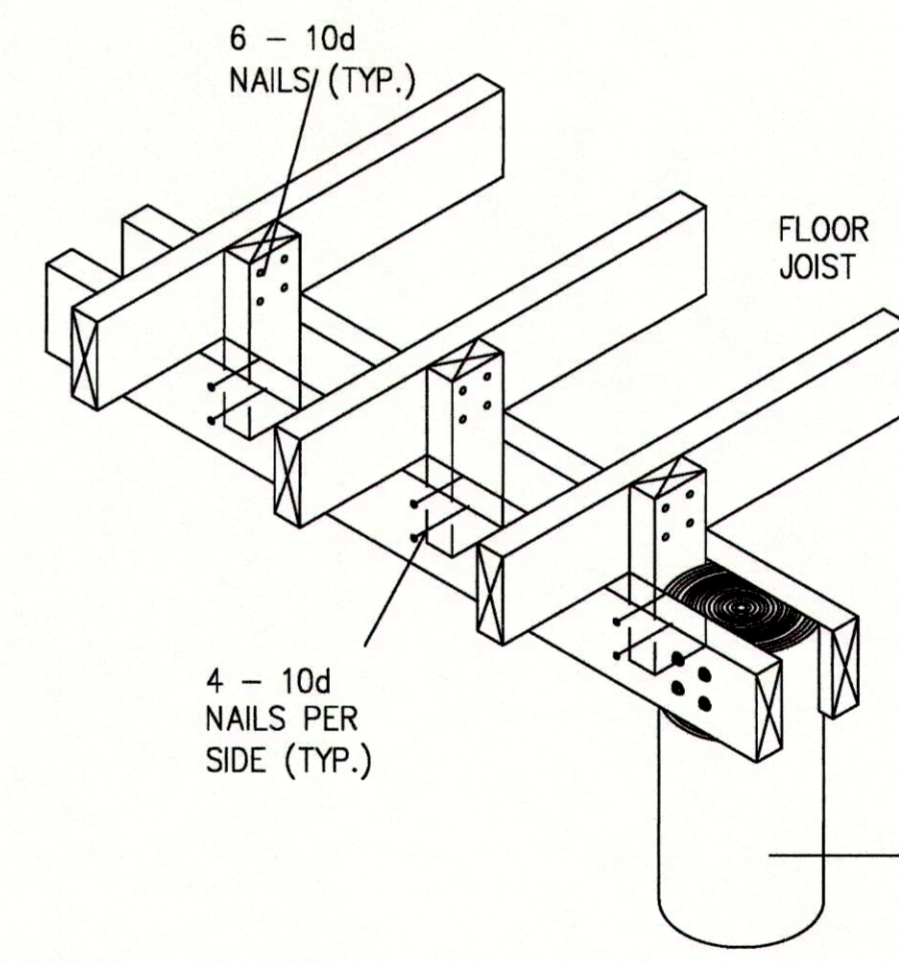
1 SOLID PLYWOOD SHEATHING
FASTEN EACH BOARD WITH 2-8d



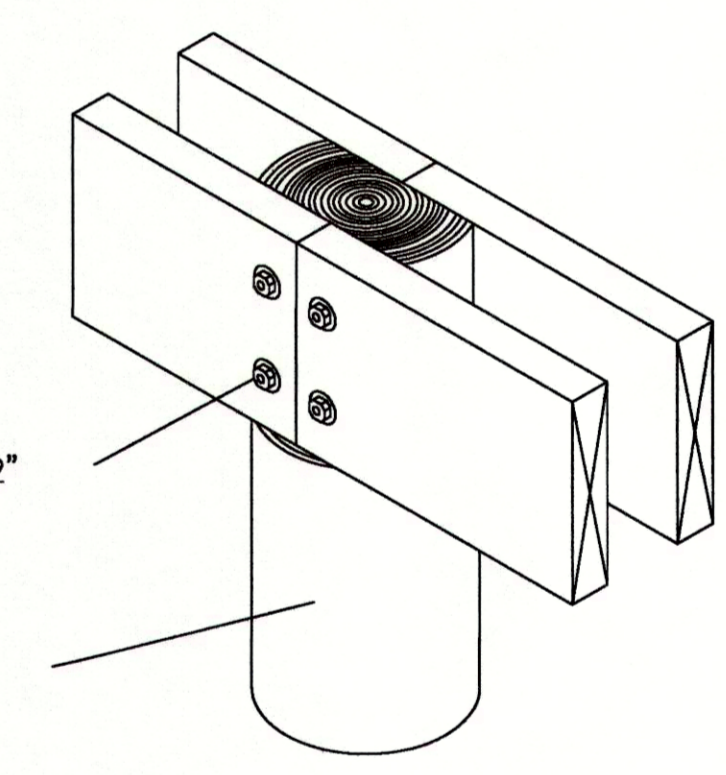
4 SECURING RAFTERS TO PERPENDICULAR JOISTS BELOW



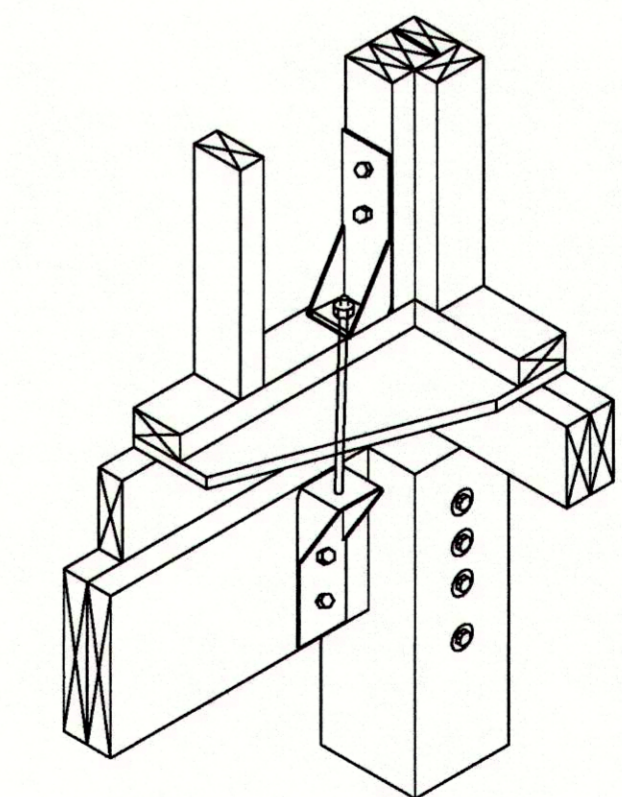
7 LATERAL BRACING OF EXTERIOR WALLS



FLOOR JOIST TO BEAM SECURE DETAIL



BEAM TO COLUMN CONNECTION DETAIL



HOLD DOWN DETAIL

HURRICANE CLIPS AND STRAPS SHALL BE INSTALLED ON EACH STRUCTURAL CONNECTION.

WRAP HOUSE w/ 7/16\"/>

THIS STRUCTURE HAS BEEN DESIGNED TO RESIST A 3 SECOND WIND GUST SPEED OF 120 MPH, EXPOSURE 'C' AND IN ACCORDANCE WITH THE 2009 IRC, THE CITY OF KEMAH BUILDING STANDARDS AND TEXAS WINDSTORM STANDARDS.

PROJECT NO.:	ISSUE:
DATE DRAWN:	CONST.:
DATE:	REVISIONS:

McCoy Engineering and Inspection, L.L.C. is a registered professional engineering firm in the State of Texas, License No. 59865. The design and construction of this structure is based on the information provided by the client and is not intended to be used for any other purpose. The engineer's responsibility is limited to the design and construction of the structure as shown on these plans, work of force, and construction of any construction of buildings being used and/or track.

NEW CUSTOM HOME
MARK HESSLER
806 KIPP AVE
KEMAH, TEXAS 77565

McCoy Engineering and Inspection, L.L.C.
T. B. P. E. Firm No. 1 0 7 8 9
3911 South Beechwood Court HOUSTON, TEXAS 77059 713-857-3525

S-6



MIKE McCOY, P.E. #59865
JUNE 29, 2015