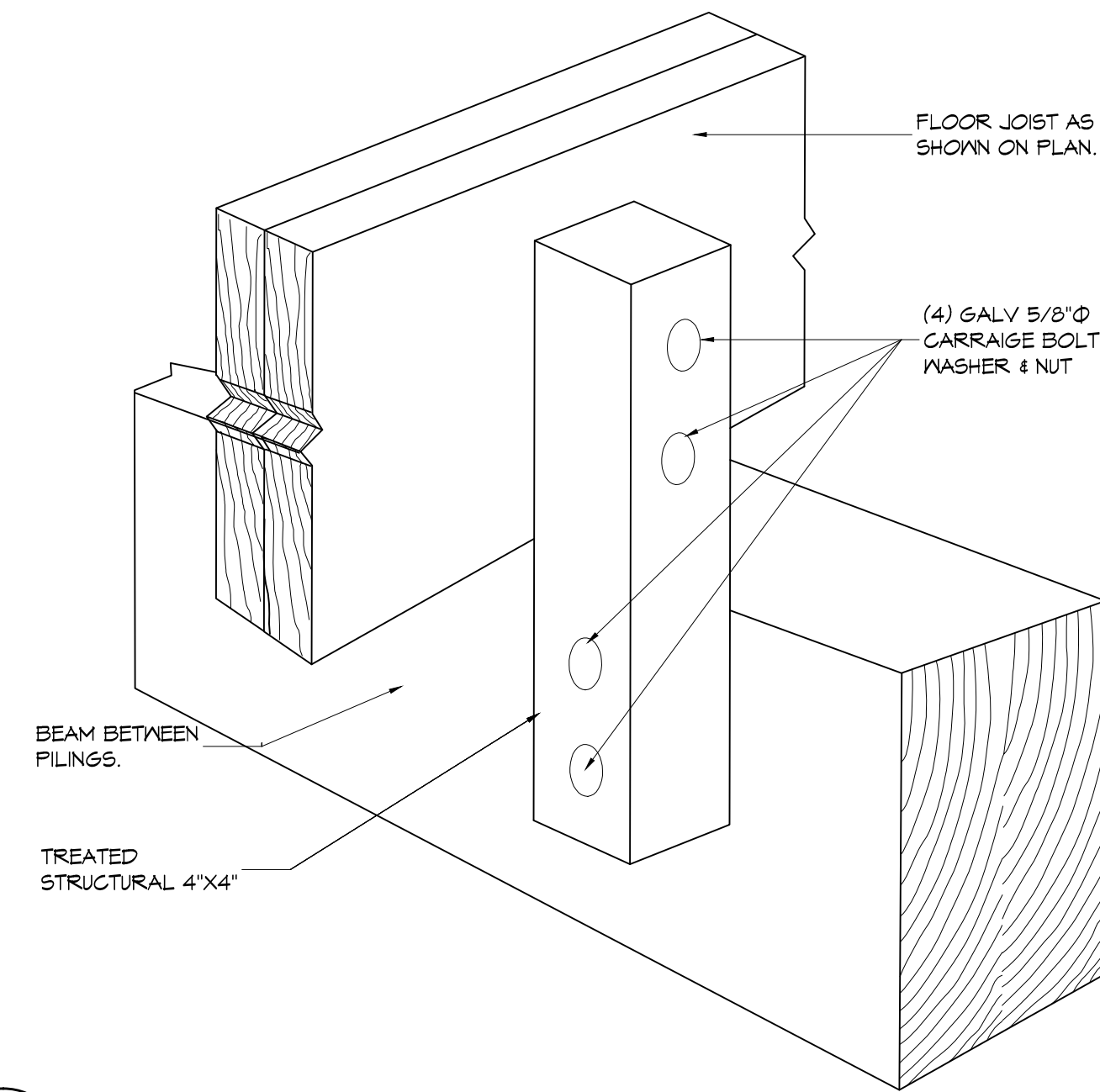
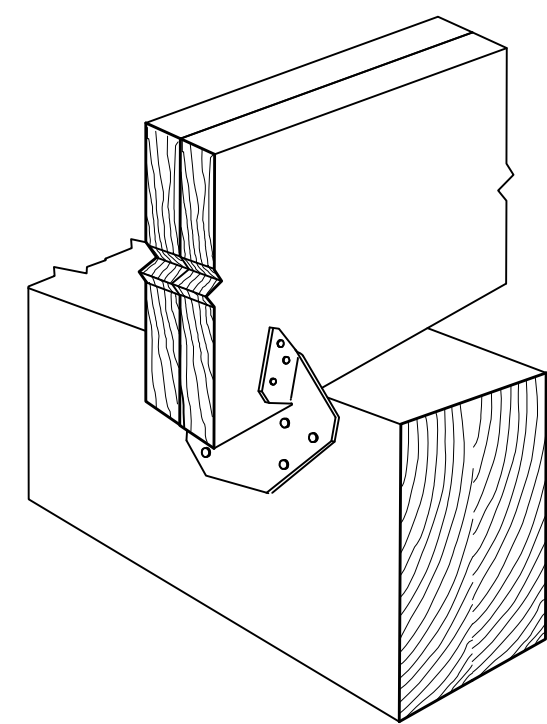


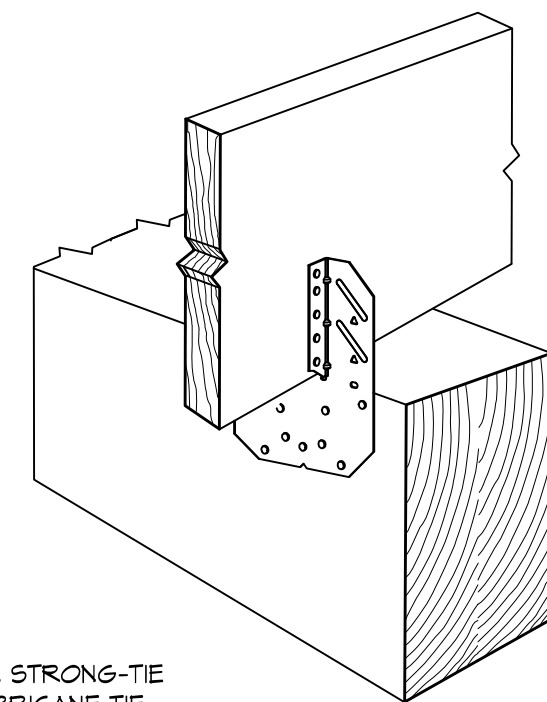
D.L. MOSE, Architect, Dammon/Architects, Inc., 554 Old Spanish Trail, Slidell, LA 70568, 985.641.5932



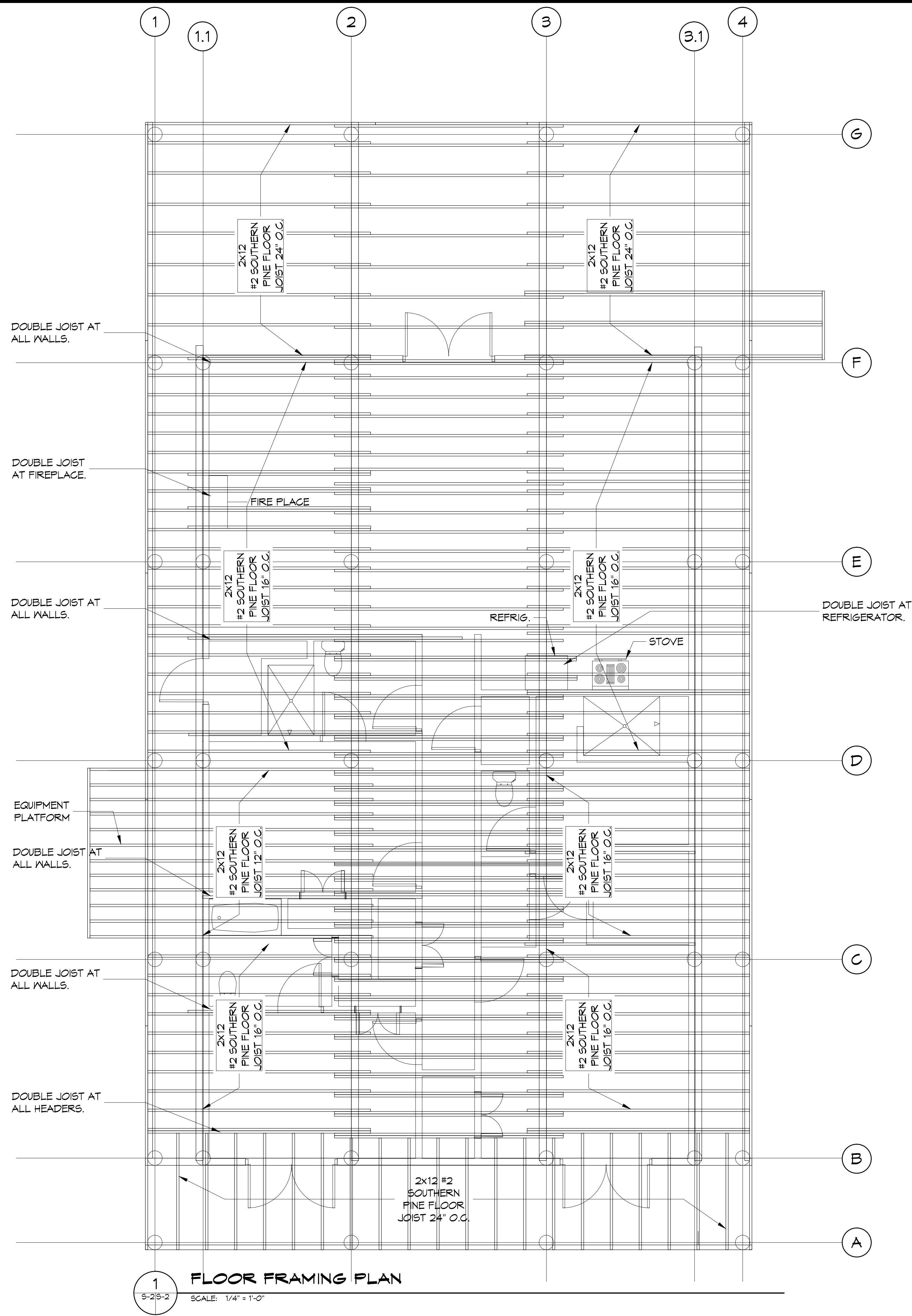
4 DETAIL
 SCALE: 3/16" = 1'-0"
 ALTERNATE METHOD OF STRAPING



3 DETAIL
 SCALE: 3/16" = 1'-0"
 DOUBLE JOIST



2 DETAIL
 SCALE: 3/16" = 1'-0"
 SINGLE JOIST



1 FLOOR FRAMING PLAN
 SCALE: 1/4" = 1'-0"

#	DESCRIPTION	DATE

SEAL:
**PRELIMINARY
 NOT FOR
 CONSTRUCTION**

STRUCTURAL DRAWINGS
STERILIDENCE
 25100 CHEF MENTEUR WAY
 NEW ORLEANS, LOUISIANA
 JOB No: _____
 DRAWN BY: _____
 DATE: APRIL 16, 2015
 CHECKED BY: GKD

SHEET TITLE:
 TITLE-1
 DRAWING NUMBER:
S-2
 SHEET No: 2 of 4