

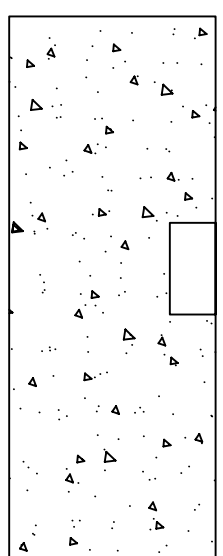
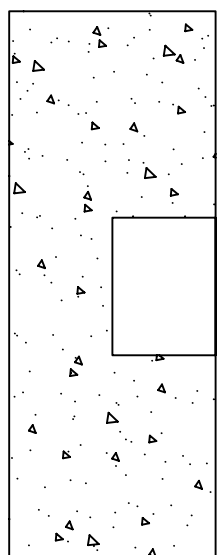
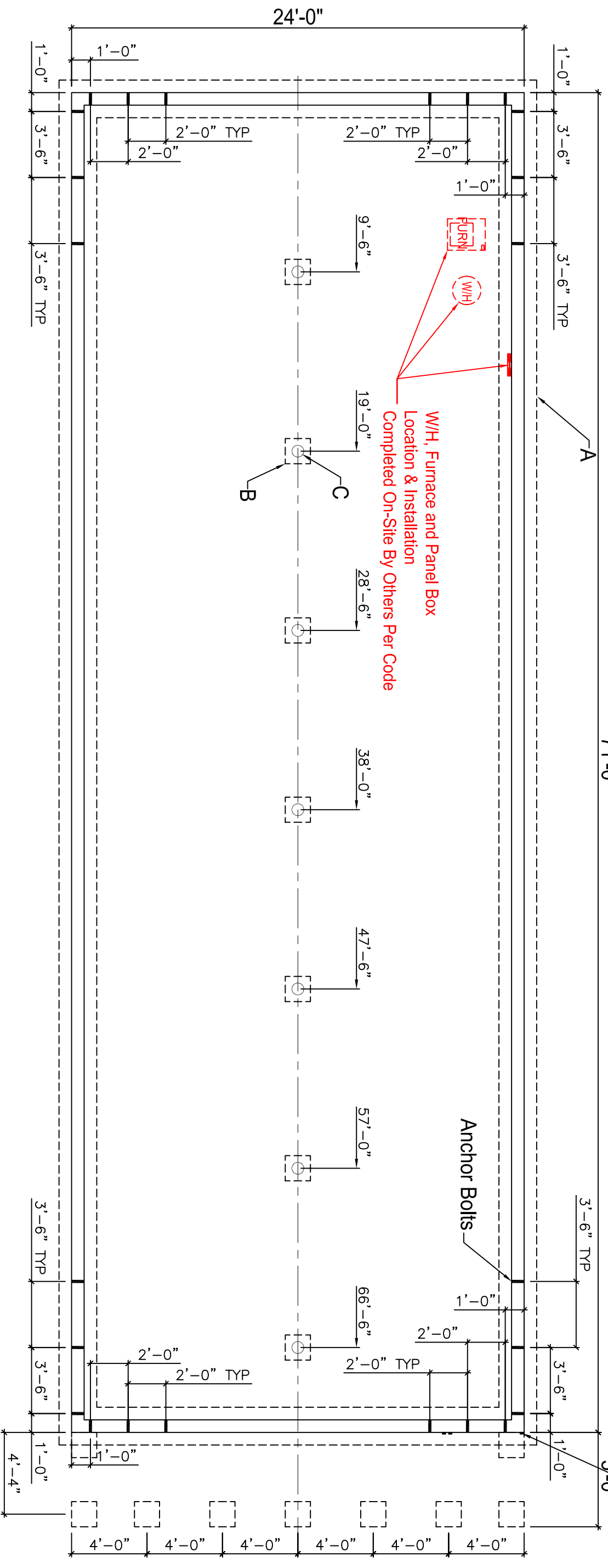
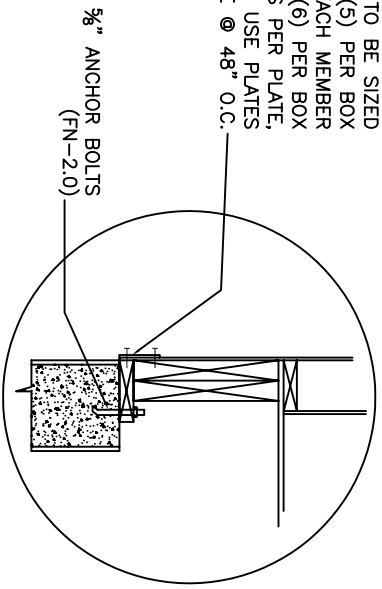
# Pier Spacing Table

Floor Width	Spacing With Floor Load Only	Spacing With Floor and Roof Loads
28' W	13'-8"	20 PSF
SIMPSON STRAP TABLES		9'-6"

REQ'D PER SHEARWALL END	SHEARWALL PLF	STRAP LENGTH
SNGL STDH10RJ	396	10"
DBL STDH10RJ	631	10"
SNGL STDH14RJ	631	14"
DBL STDH14RJ	824	14"

ANCHOR BOLT SPACING		
WIND SPEED	END WALLS	SIDE WALLS
150 MPH	2'-0"	3'-6"

20 GA. GALV. PLATES FASTENED W/0.48 x 3" NAILS. PLATES TO BE SIZED FOR END WALLS. FOR 28' WIDES USE (10) PLATES PER END, (5) PER BOX EQUALLY SPACED. USE (14) NAILS PER PLATE, (7) INTO EACH MEMBER FOR 32 WIDES. USE (12) PLATES PER END, (6) PER BOX EQUALLY SPACED. USE (16) NAILS PER PLATE, (8) INTO EACH MEMBER FOR SIDEWALLS USE PLATES AS ABOVE @ 48" O.C.



18" X 24"  
CRAWL SPACE ACCESS

1 SQFT. OF VENTILATION PER 150 SQFT. OF AREA WITHIN 3' OF EACH CORNER

- NOTES:
- 1) Foundation footings (A) 16" x 8". (All footings based on 2000 PSF Soil Pressure).
  - 2) Column footings (B): 52 PSF Roof Live Load = 32" x 32" x 12" min. - 69.3 & 103.9 PSF Roof Live Load = 36" x 36" x 12" min.
  - 3) 3" Steel Jack posts (C)
  - 4) The foundation specifications shown above is suggested by Four Seasons Housing. Please refer to the Four Seasons Housing installation manual for details.
  - 5) Alternative foundations construction is the responsibility of the selling dealer and/or local constructor and must be approved by a qualified engineer.
  - 6) Four Seasons Housing assumes no responsibility for foundation construction or design.
  - 7) Refer to nstallation Manual for Soil Bearing Capacity, sill plate fastening, and site drainage requirements.
  - 8) Required lights and receipts for basement are completed and located on-site by others per code.

SEE REVISION NOTE

\* FIELD WORK

REV	REVISION	BY	DATE

**ADMIRATION BUILDERS**

DRAWN BY: CER DATE: 06/11/07 STATE: LOUISIANA CHECKED BY: MODEL NAME: 6076-1	SCALE: THESE DRAWINGS ARE THE PROPERTY OF FOUR SEASONS HOUSING - ADMIRATION BUILDERS AND ARE PROTECTED BY A FEDERAL COPYRIGHT LAW.	PRINT NAME: <b>FOUNDATIONS</b>	PAGE NO: <b>9.1</b>
---	--	-----------------------------------	------------------------

