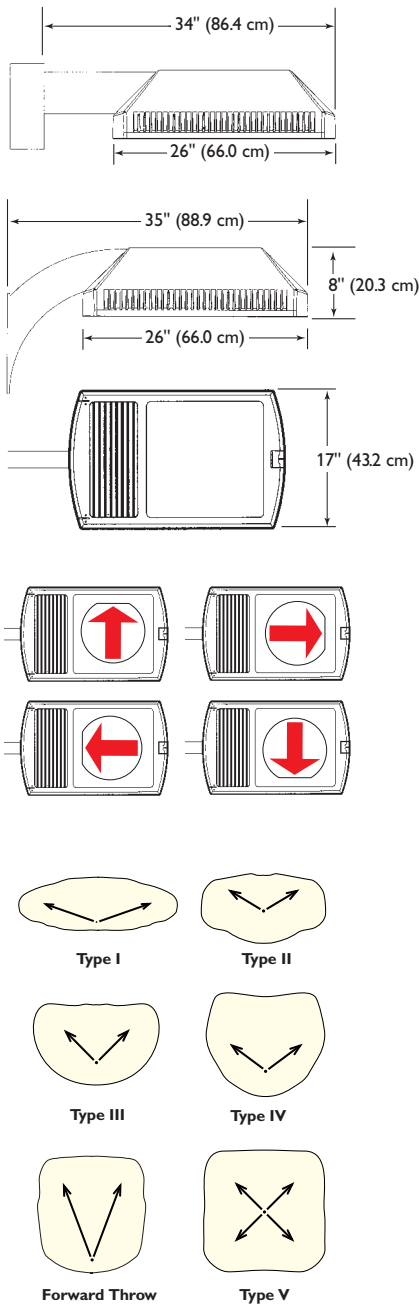


PA3 Large Arealyte Specifications

Mogul Base 150 to 400 Watt

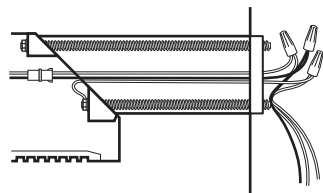


HOUSING: One-piece precision die-cast aluminum housing to eliminate weld seams and water entry. Solid $\frac{1}{8}$ " thick barrier wall separates optical and electrical assemblies. Triple thick wall on the arm mounting end to provide rigid support for the arm while maintaining the structural integrity of the housing. Housing form incorporates a blend of radial geometries with 45 degree sloping planes on the front and rear of the housing to minimize EPA and reduce wind-loading on the pole. Integral side ribbing provides an aesthetic low-profile detail. Luminaire is equipped with a recessed stainless steel door latch under the housing for tool-less entry and trouble-free operation. Optional vandal-resistant mechanism prevents unauthorized entry. All external hardware is stainless steel.

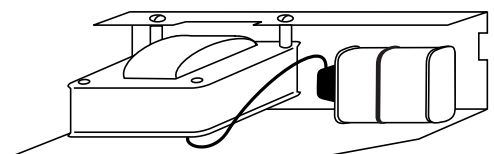
LENS ASSEMBLY: One-piece precision die-cast aluminum lens frame. Integral stainless steel hinges and pins provide no-tool removal and installation from the luminaire housing. Stainless steel compression impact door latch provides audible positive locking of the luminaire door frame. A $\frac{3}{16}$ " thick clear, tempered glass lens seals the optical chamber by compressing a one-piece extruded and vulcanized silicone gasket surrounding the optical chamber enclosure, yielding superior sealing with single seal gasket. Lens is secured to the door frame with (4) heavy duty double wide stainless steel clips.

OPTICAL ASSEMBLY: Reflector system shall consist of highly reflective anodized segmented reflectors with multiple facets rigidly mounted on an aluminum frame. Reflector assembly shall be rotatable in 90 degree increments to match site lighting requirements and capable of being removed with electrical quick disconnects. The optical chamber shall be completely sealed from outside elements and particulate matter. There shall be (6) horizontal lamp light distributions available. Sockets for HPS lamp shall be mogul base porcelain sockets rated 4KV. Sockets for metal halide lamps shall be position-oriented mogul base sockets rated 4KV. A removable silicon wireway grommet seals the barrier wall entry point between the optical and electrical assemblies.

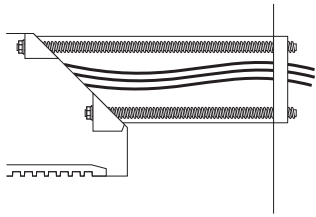
ELECTRICAL ASSEMBLY: Electrical components shall be factory-prewired and mounted on a removable hinged galvanized steel tray with quick disconnects for tool-less installation and replacement. Electrical components shall be accessible by opening the lens frame assembly and accessing the hinged ballast tray through a stainless steel compression impact tray latch. Ballasts shall be high reactance with power factors better than 90%. Metal halide ballasts shall be capable of starting at -20° F (-30° C). HPS ballasts shall be capable of starting at -40° F (-40° C). All components shall be UL and CSA recognized. The electrical assembly shall be 100% factory tested.



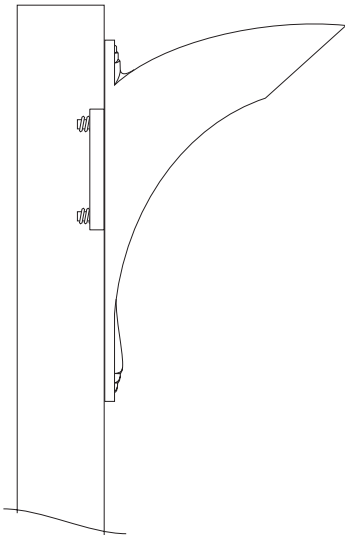
For all standard pole mounts, field splices are made at the pole top.



Ballast Tray



MOUNTING ASSEMBLY (EXTRUDED ARM): Shall consist of a one-piece extruded aluminum arm with bolt guides, backing plate, and mounting hardware. The mounting arm shall be matched to 3", 4", and 5" diameter round and square pole applications. The mounting arm assembly shall employ a mechanical draw method of installation with (2) flange nuts and (2) 3/8"-16 UNC threaded rods with a zinc chromate coating. The mounting arm shall be radiussed to the specified pole for a seamless transition between the mounting arm and the pole surface. The pole reinforcing backing plate with wire strain relief shall feature radiussed edges to minimize pole deformation and shall be designed to adapt to round and square pole applications. For round pole applications, the pole reinforcing backplate shall be radiussed on one side to allow the backing plate to maintain greater contact to the inner wall of the pole.



MOUNTING ASSEMBLY (CAST ARM): The heavy duty sand cast curved arm permits mounting to 3", 4", or 5" diameter straight round poles or square straight poles. The aesthetically pleasing design shall feature an external arm mounting/wiring access plate secured by a captive stainless steel screw. The 7/32" minimum wall thickness arm employs a key slotted method of installation. The cast arm is securely attached to the fixture housing with (2) zinc-chromate plated 3/8"-16 UNC threaded rods. The cast arm is securely attached to the pole with (2) zinc-chromate plated 3/8"-16 UNC threaded hex head bolts which are easily accessed through the access door under the arm. The mounting arm is radiussed to the specified pole diameter for a solid transition between the mounting arm and the pole surface. The pole reinforcing backplate with wire strain relief shall feature radiussed edges to minimize pole deformation and shall be designed to adapt to round and square pole applications. For round pole applications, the pole reinforcing backplate shall be radiussed on one side to allow the backing plate to maintain greater contact to the inner wall of the pole.

MOUNTING ASSEMBLY (WALL MOUNTING): The wall mounting support arm shall employ a cleat method of installation. The electro-zinc plated steel wallplate is mounted to a solid wall foundation with lag bolts. The support arm features a cast aluminum backplate that "hooks" over the 45 degree angled top wall of the steel wallplate. The cast arm backplate is secured to the wallplate with (2) stainless steel setscrews tightened over the 45 degree angled bottom wall of the steel wallplate.



Black



White



Bronze



Silver

FINISH: Shall be a thermoset polyester powdercoat application, laboratory tested for superior weatherability and fade resistance in accordance with ASTM B-117-64 and ANSI/ASTM G53-77 specifications.

CERTIFICATIONS: UL Listed for wet locations (120, 208, 240, 277, and 480v). cUL Listed for wet locations (120, 277, and 347v only).

EPA: PA3 (Large Profiler):
 PA3 w/ extruded arm = 1.36
 PA3 w/ cast arm = 1.46

MAX WEIGHT:
 PA3 Large Profiler = 50 lb.

WARRANTY: Three year limited warranty