

THIS DRAWING IS AN INSTRUMENT OF SERVICE AND AS SUCH SHALL REMAIN THE PROPERTY OF HOTEL & RESTAURANT SUPPLY. UNAUTHORIZED USE OR REPRODUCTION WITHOUT PERMISSION OF HOTEL & RESTAURANT SUPPLY IS PROHIBITED. THIS DRAWING IS ONLY FOR USE IN CONNECTION WITH THIS PROJECT AND SHALL NOT BE USED FOR OTHER LOCATIONS. COPYRIGHT 2008, HOTEL & RESTAURANT SUPPLY.

REVISIONS	BY
08/18/14	AD
08/22/14	AD

Q13032-25

IMPORTANT!
THERMO-KOOL WALK-IN FLOOR PANELS ARE DESIGNED TO WITHSTAND UNIFORMLY DISTRIBUTED STATIONARY LOADS OF 600 LBS. PER SQUARE FOOT. THERMO-KOOL'S WARRANTY DOES NOT COVER DAMAGE DUE TO PALLET JACKS, MOBILE CARTS, MOBILE SHELVING, FORK LIFTS, OR ANY OTHER FORM OF ROLLING TRAFFIC. A CONCRETE WEARING FLOOR MUST BE INSTALLED ON TOP OF THE WALK-IN FLOOR PANELS FOR THIS APPLICATION.


These drawings represent our understanding of the requirements of your order. We submit them to you for the purpose of securing complete approval of sizes, finishes, framing, insulation, dimensions, specifications, and interpretations. The return of these drawings to us with instructions to proceed, or subsequent instructions to that effect, shall constitute complete approval.

Approved by _____ Date _____

WARNING
DO NOT EXPOSE CARTONED OR STACKED PANELS TO MOISTURE OR HIGH HUMIDITY CONDITIONS DURING STORAGE. STAINING OR OXIDIZING OF METAL SKINS MAY OCCUR.

NOTICE
THIS ORDER CANNOT BE PLACED INTO PRODUCTION UNTIL WE RECEIVE FINAL APPROVED DRAWING AND SPECIFICATIONS. THE DATE OF RECEIPT CAN AFFECT YOUR PROMISED DELIVERY DATE.

THIS THERMO-KOOL WALK-IN WILL BE MANUFACTURED TO UL & NSF REQUIREMENTS. THERMO-KOOL ACCEPTS NO LIABILITY FOR LOCAL CODE REQUIREMENTS OF WHICH THERMO-KOOL HAS NOT BEEN MADE AWARE IN WRITING PRIOR TO FABRICATION.



Thermo-Kool
WALK-IN PANEL

Thermo-Kool/Mid-South Industries, Inc.
R-14781

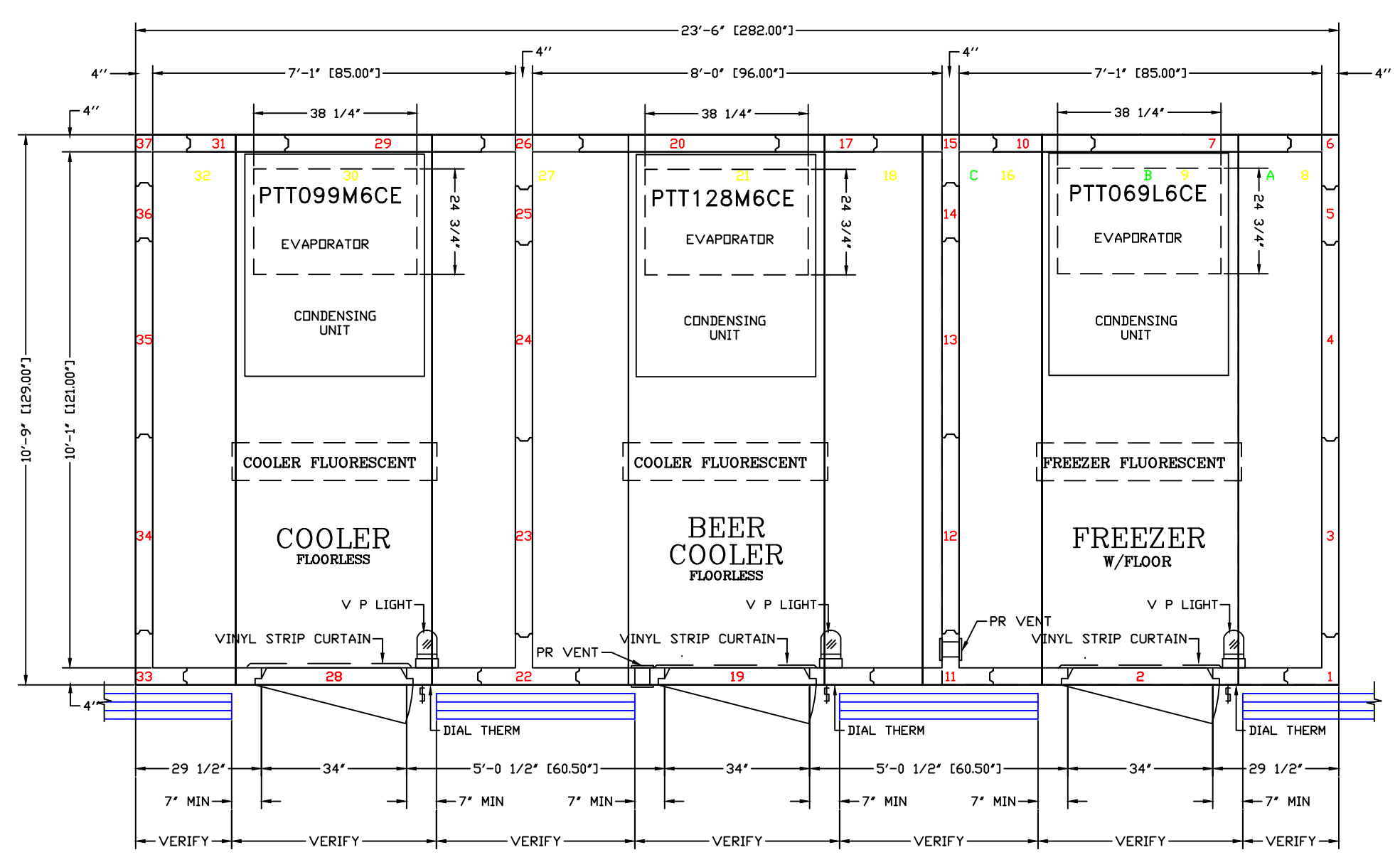
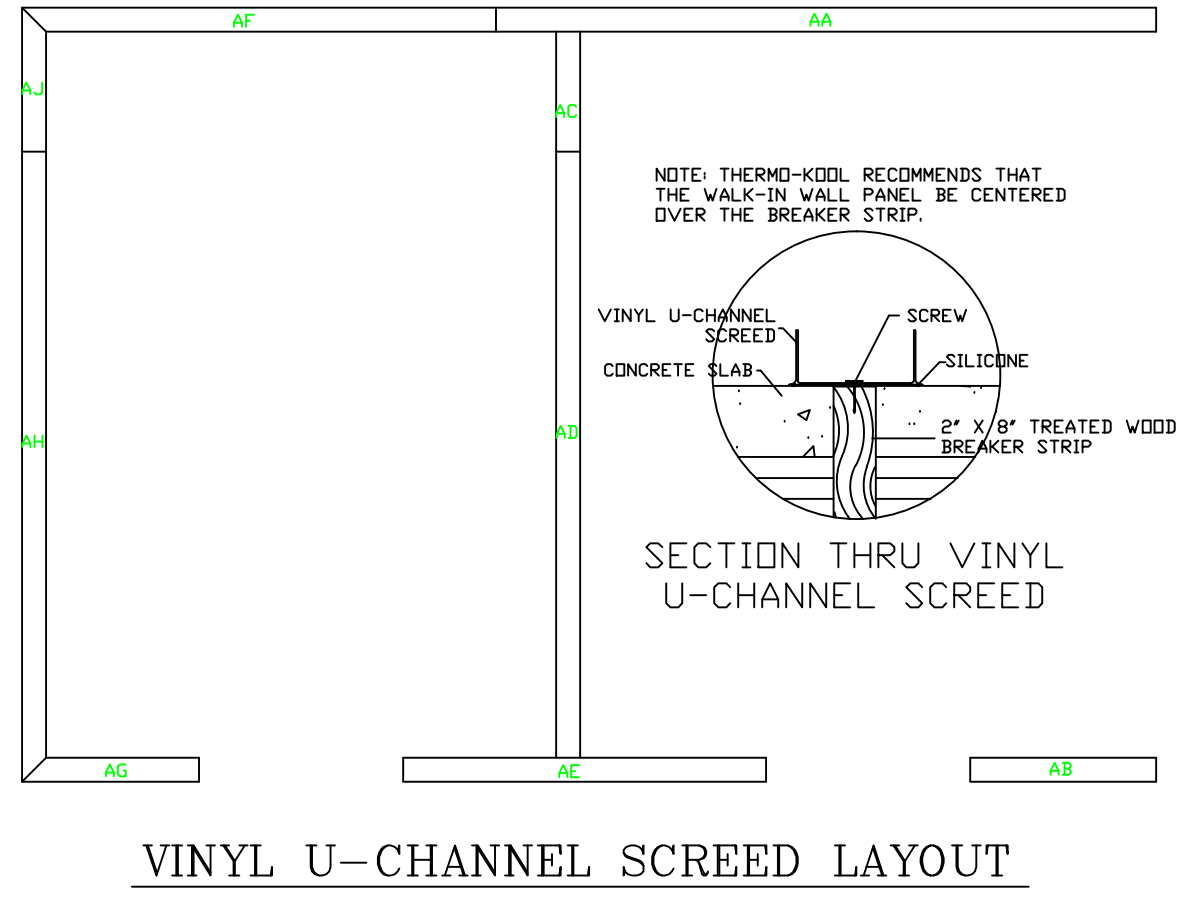
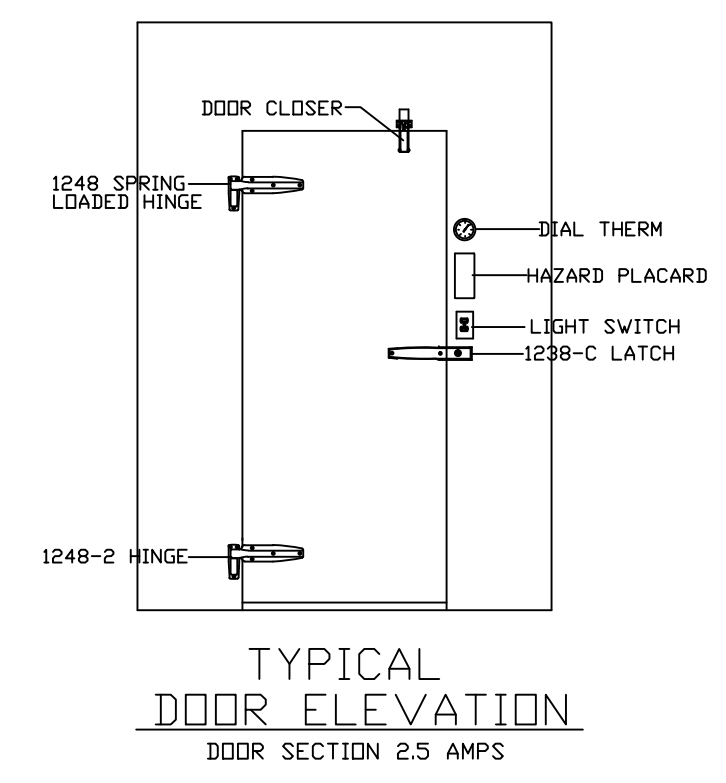
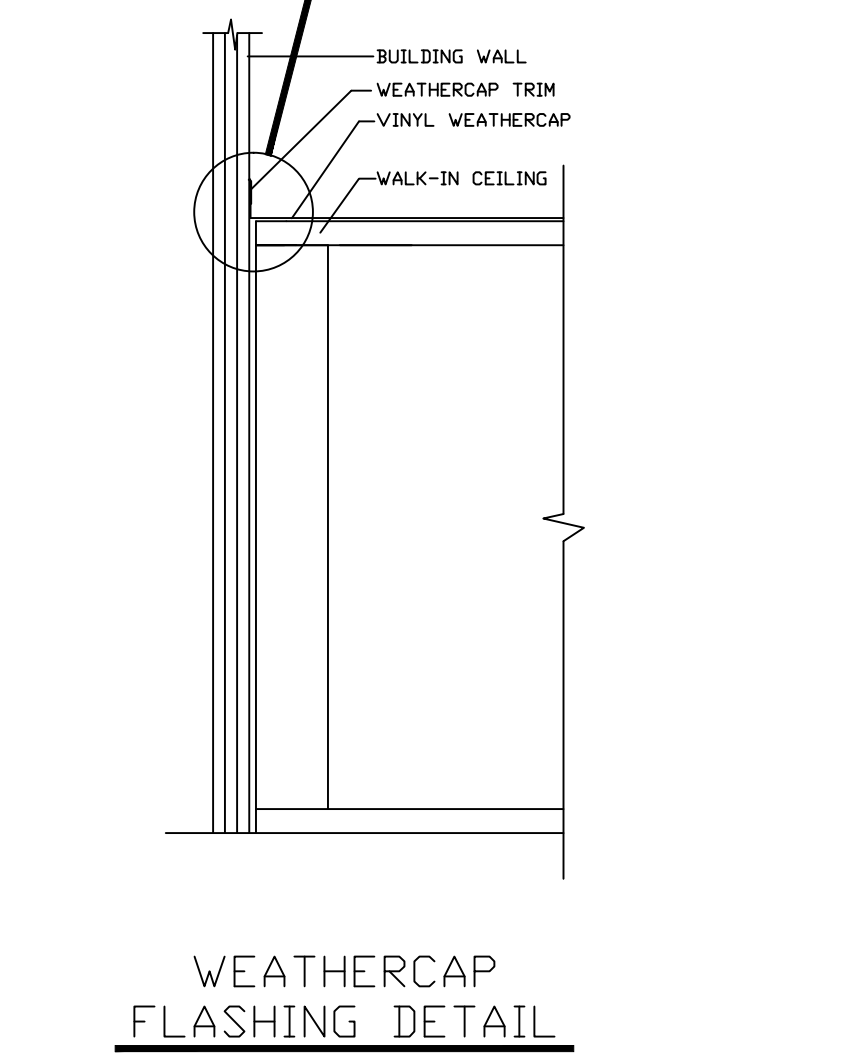
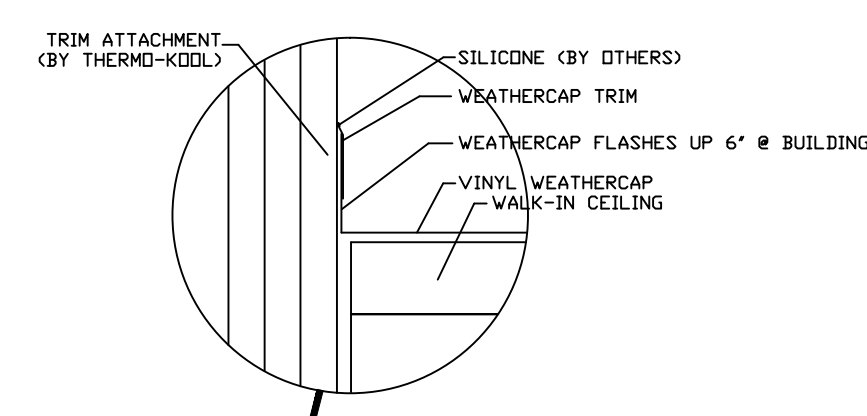
1F68
BUILDING UNITS
SURFACE BURNING CHARACTERISTICS

	4 IN. THICK UNPAINTED ALUMINUM GALVANIZED OR STAINLESS MATERIAL	4 IN. THICK PAINTED OR UNPAINTED	4 IN. THICK PAINTED OR UNPAINTED
FLAME SPREAD	25	15	20
SMOKE DEVELOPED	450	450	OVER 500

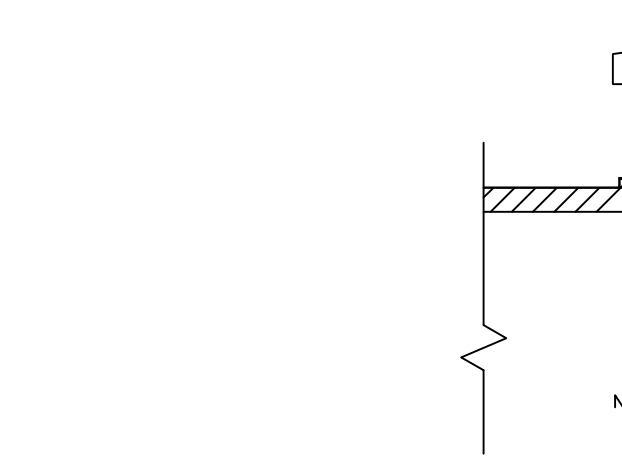
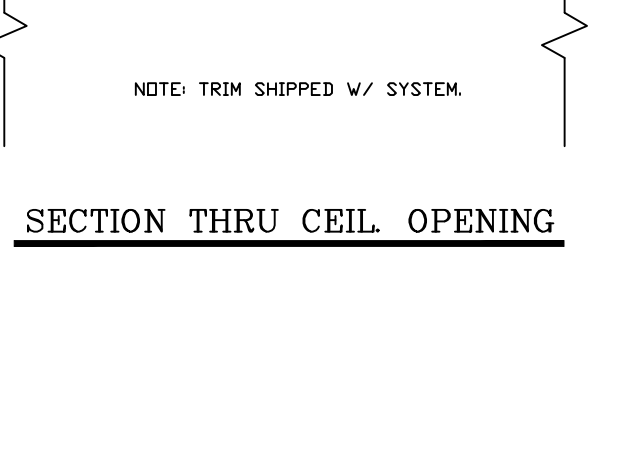
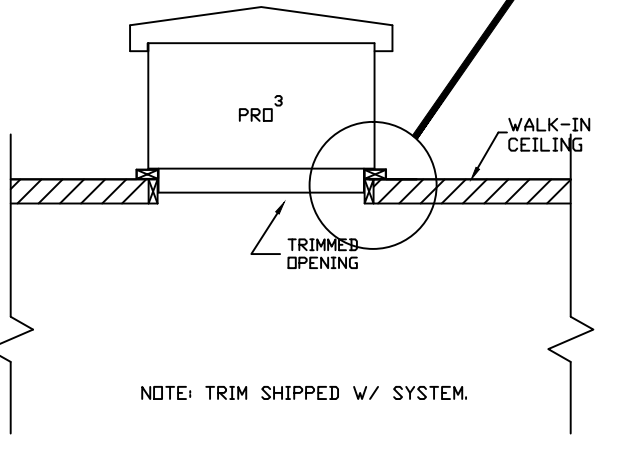
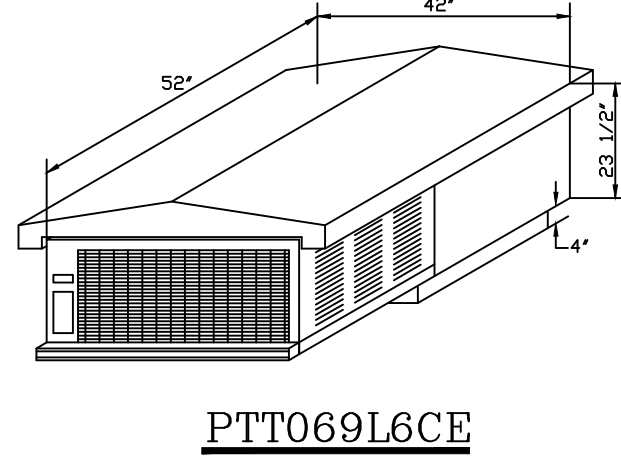
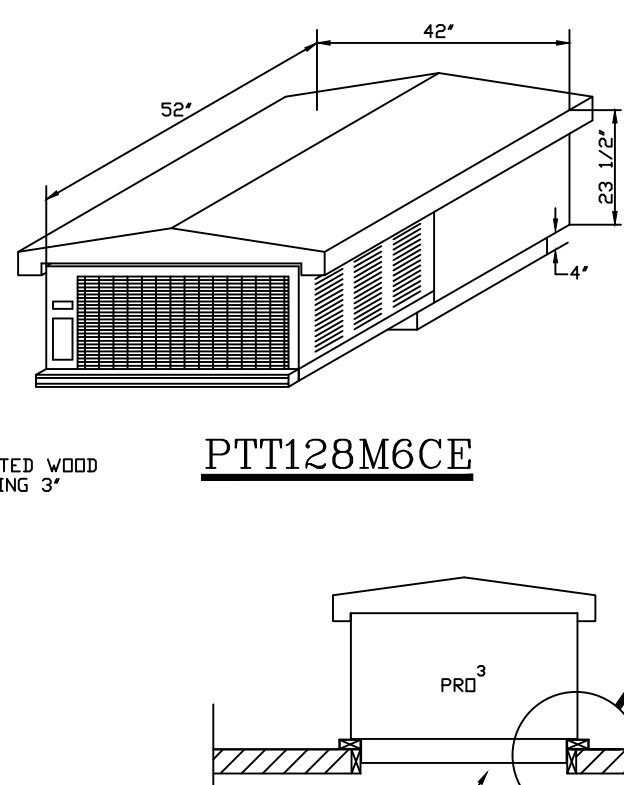
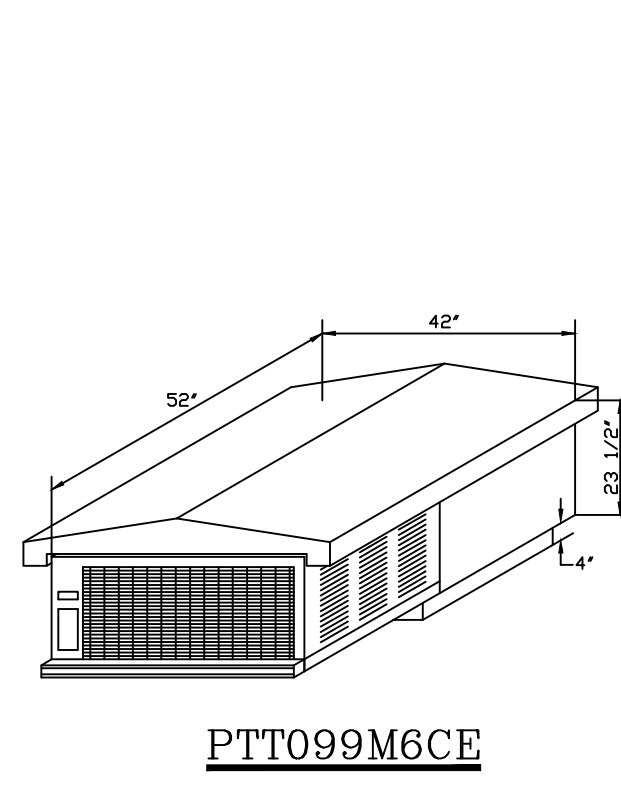
PULL DOWN RATE TO 45°F IS UNRESTRICTED. AFTER 45°F, PULL DOWN RATE SHOULD BE RESTRICTED TO 10°F PER 24 HOUR PERIOD. NOT APPLICABLE TO BLAST CHILLER CABINETS.

"MEETS 2009 ENERGY CODE STANDARD"

NOT APPROVED
QUOTATION SUBMITTAL



*VERIFY BUILDING WALL DIMENSIONS
*VERIFY ALL DIMENSIONS



- OVERALL DIMENSIONS LENGTH 23'-6" WIDTH 10'-9" HEIGHT 8'-6" (40)
- FINISH-Exterior
 26 GA. Stucco Embossed Galv. Steel
 20 GA. Type 304 #3 Finish Stainless Steel
 White Stucco Aluminum
 White Smooth Aluminum
 White Stucco Galv.
 White Smooth Galv.
- FINISH-Interior Floor
 1/4" Bright Galvanized Steel
 1/4" Ga. Stainless Steel
 Smooth Aluminum
 Treadbrite Aluminum Foamed-In-Place
 1/8" Treadplate Aluminum Foamed-In-Place
- CEILING:
 26 GA. Stucco Embossed Galv. Steel
 20 GA. Type 304 #3 Finish Stainless Steel
 White Stucco Aluminum
 White Smooth Aluminum
 White Stucco Galv.
 White Smooth Galv.

- COOLERS:
 Built-in by others. (Breaker strip must be under all wall panels including partitions)
 4" x 2" Vinyl U-Channel Screeds
 Wall Anchors
 4 1/4" Foam Screeds
 2 1/4" Vinyl Screeds
- FREEZER:
 Treadbrite Aluminum Foamed-In-Place
 1/8" Treadplate Aluminum Foamed-In-Place

- SECTION FASTENERS - Thermo-Kool cam type Insta-Lo INSULATION-4" thickness "Foamed-in-place" urethane-DURATHANE CONSTRUCTION CLASS I
- OUTDOOR INSTALLATION
 Vinyl weather roof w/ Fascia Bar & Cover
 Sloped Foam
 SQ. FT. OF 4-MIL POLYETHYLENE (FOR BETWEEN SLOPED FOAM & VINYL WEATHERCAP)
 Aluminum weather roof by Thermo-Kool (w/ weathercap Trim)
- INDOOR INSTALLATION
 ELECTRICAL-All wiring contained within the door sections is 115/60/10. Connections to this and all other lights and and refrigeration supplied by others.
 UNEXPOSED CONDUIT - Wiring Stubs out top of panels 8"
 EXPOSED CONDUIT - Wiring terminates in a field service box at top of panels

- ENTRANCE DOOR - Flush infilling type with poly vinyl magnetic gasket and vinyl sweep gasket on bottom edge. Heater cables are built in ground door opening to prevent frost accumulation and sweating. Ext. has a thermometer, indicating high and toggle switch. Interior has vapor proof light. Hinges are cam action type. Door finishes will be the same as adjacent panels unless specified otherwise under Door Accessories.
- DOOR SIZE & QTY HARDWARE SWING
- (3) 34" x 76" (1) 1248-2 HINGE, (1) 1248 SPRING LOADED HINGE, DOOR CLOSER
 () 34" x 76" (2) 1248-2 HINGES, (1) 1248 SPRING LOADED HINGE, DOOR CLOSER
- DOOR ACCESSORIES
 () 14" x 14" Peep Window(s)
 () 14" x 24" Peep Window(s)
 1/2" ALUMINUM TREADPLATE EXTERIOR KICKPLATES 36"
 (3) VINYL STRIP CURTAINS TO FIT AN OPENING SIZE 34" x 76"

- MISCELLANEOUS EQUIPMENT
 Lights (NOT MOUNTED) 1 AMP EACH
 Interior Floor Ramp
 Exterior Floor Ramp
- 2-# 1830 Heated Pressure Relief Vent(s) - .5 AMPS EACH
 # 1832-4 Heated Pressure Relief Vent(s) - .5 AMPS EACH
 # 1825 Heated Pressure Relief Vent(s) - .5 AMPS EACH
 Trim & Enclosures (see detail)
 (3) KASON 48" FLUORESCENT LIGHT FIXTURE(S) (LESS BULBS)
 (6) 3" x 3" x 8'-6" ANGLE TRIM PIECES

- REFRIGERATION - Aircooled Watercooled By Others
- 1 1/2 HP MED TEMP MODEL # PTT099M6CE 208-230/60/3#
 TOTAL SYSTEM AMPS: MCA ... MHPD ...
 R-404A REFRIGERANT
 BTU CAPACITY @ 35°F ROOM TEMP = 11,800
 SIZE = 52" X 42" X 23 1/2"
 DRAINLINE HEATER
 POWER CORD NOT AVAILABLE
 NET WEIGHT: 265 LBS.
 EVAPORATOR 1/2" EC MOTORS
- OUTDOOR PACKAGE
 FIELD INSTALLED 2" X 4" TREATED WOOD FRAME AROUND THE PERIMETER OF THE CEIL. OPENING (WOOD BY THERMO-KOOL)


- 2 HP MED TEMP MODEL # PTT128M6CE 208-230/60/3#
 TOTAL SYSTEM AMPS: MCA ... MHPD ...
 R-404A REFRIGERANT
 BTU CAPACITY @ 35°F ROOM TEMP = 13,530
 SIZE = 52" X 42" X 23 1/2"
 DRAINLINE HEATER
 POWER CORD NOT AVAILABLE
 NET WEIGHT: 285 LBS.
 EVAPORATOR 1/2" EC MOTORS
- OUTDOOR PACKAGE
 FIELD INSTALLED 2" X 4" TREATED WOOD FRAME AROUND THE PERIMETER OF THE CEIL. OPENING (WOOD BY THERMO-KOOL)

- 2 1/2 HP LOW TEMP MODEL # PTT069L6CE 208-230/60/3#
 TOTAL SYSTEM AMPS: MCA ... MHPD ...
 R-404A REFRIGERANT
 BTU CAPACITY @ -10°F ROOM TEMP = 7,850
 SIZE = 52" X 42" X 23 1/2"
 DRAINLINE HEATER
 POWER CORD NOT AVAILABLE
 NET WEIGHT: 275 LBS.
 EVAPORATOR 1/2" EC MOTORS
- OUTDOOR PACKAGE
 FIELD INSTALLED 2" X 4" TREATED WOOD FRAME AROUND THE PERIMETER OF THE CEIL. OPENING (WOOD BY THERMO-KOOL)
- CONTROL KIT - The following controls indicated with a mark are included:
 Expansion valve
 Condensing unit outdoor
 Side Mounted Self Contained
 Top Mounted Self Contained
 Quick Connect Remote Top Mounted
 Prewired, Preassembled Remote

NOTES: Aircooled condensing units should be placed in a well ventilated area with a minimum of 1000 CFM's per HP.
 NOTE: THERMO-KOOL recommends 1" min. clearance between walk-in & building walls.



DATE	REV. BY	REVISION DESCRIPTION



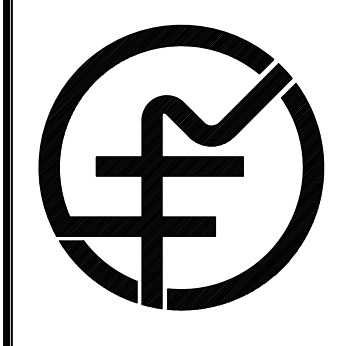
Mid-South Industries, Inc. • P.O. Box 989
 Laurel, Mississippi 39441 • Phone 601/649-4600
 FAX 601/649-0558

SUBJECT: WALK-IN REFRIGERATION
 FOR: MUGSHOTS
 RIDGELAND, MS

DR. BY DB	CH. BY	DWG. NO. Q1303225
DATE 8-21-14	SCALE 3/8"=1'-0"	SHEET NO. 1 OF 1

FOOD SERVICE KITCHEN EQUIPMENT PLAN
 MUGSHOTS
 RIDGELAND, MS.

Hotel & Restaurant Supply
 Suppliers/Designers to the Food Service Industry
 5020 Arundel Road Meridian, MS. 39307
 601-482-7127 FAX 601-485-1140
 email: adear@hnrtsupply.com



DRAWN BY:
T.WILKES

DATE
07/29/14

SCALE
1/4" = 1'-0"

JOB#

FILE

FS-6