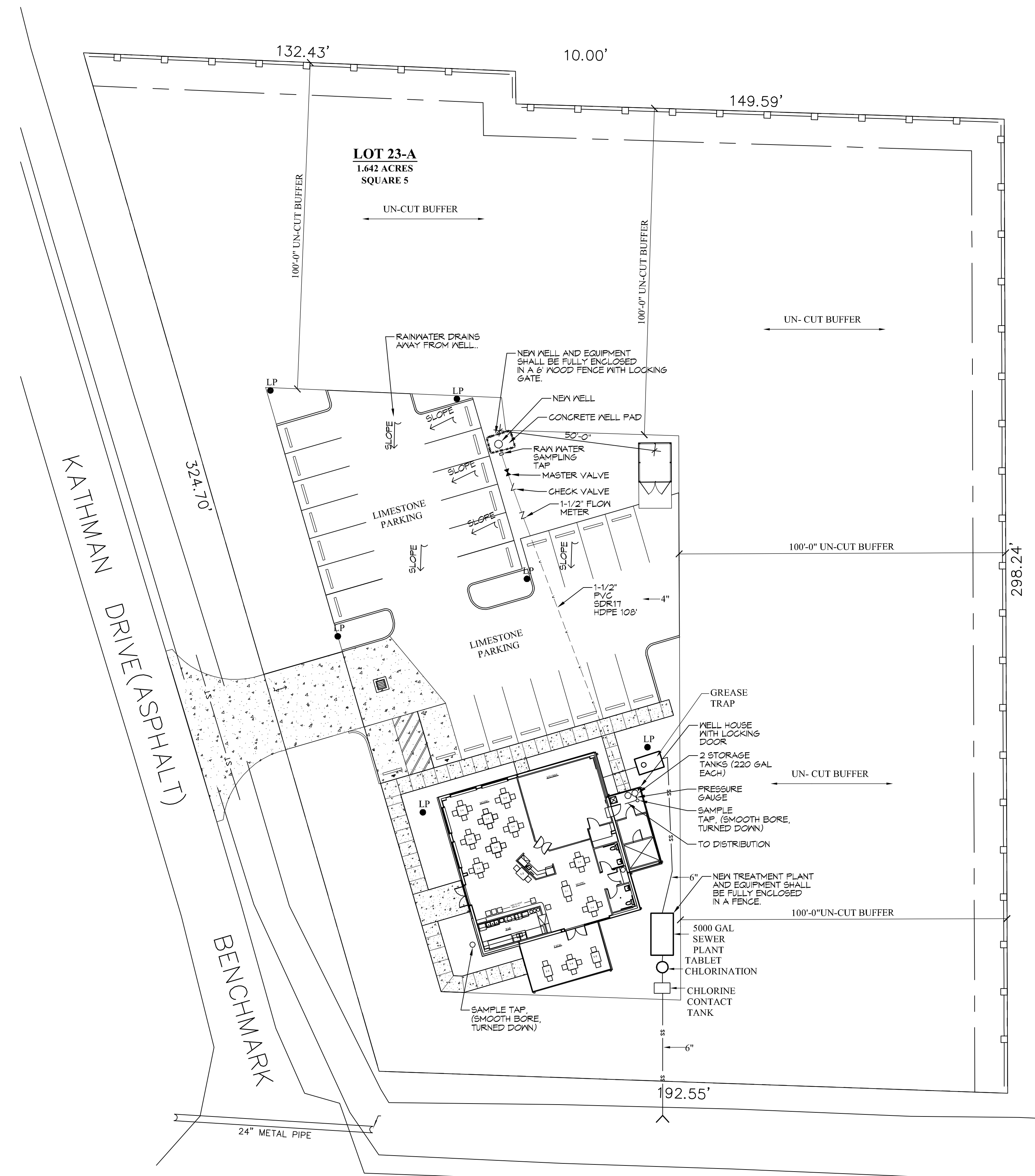
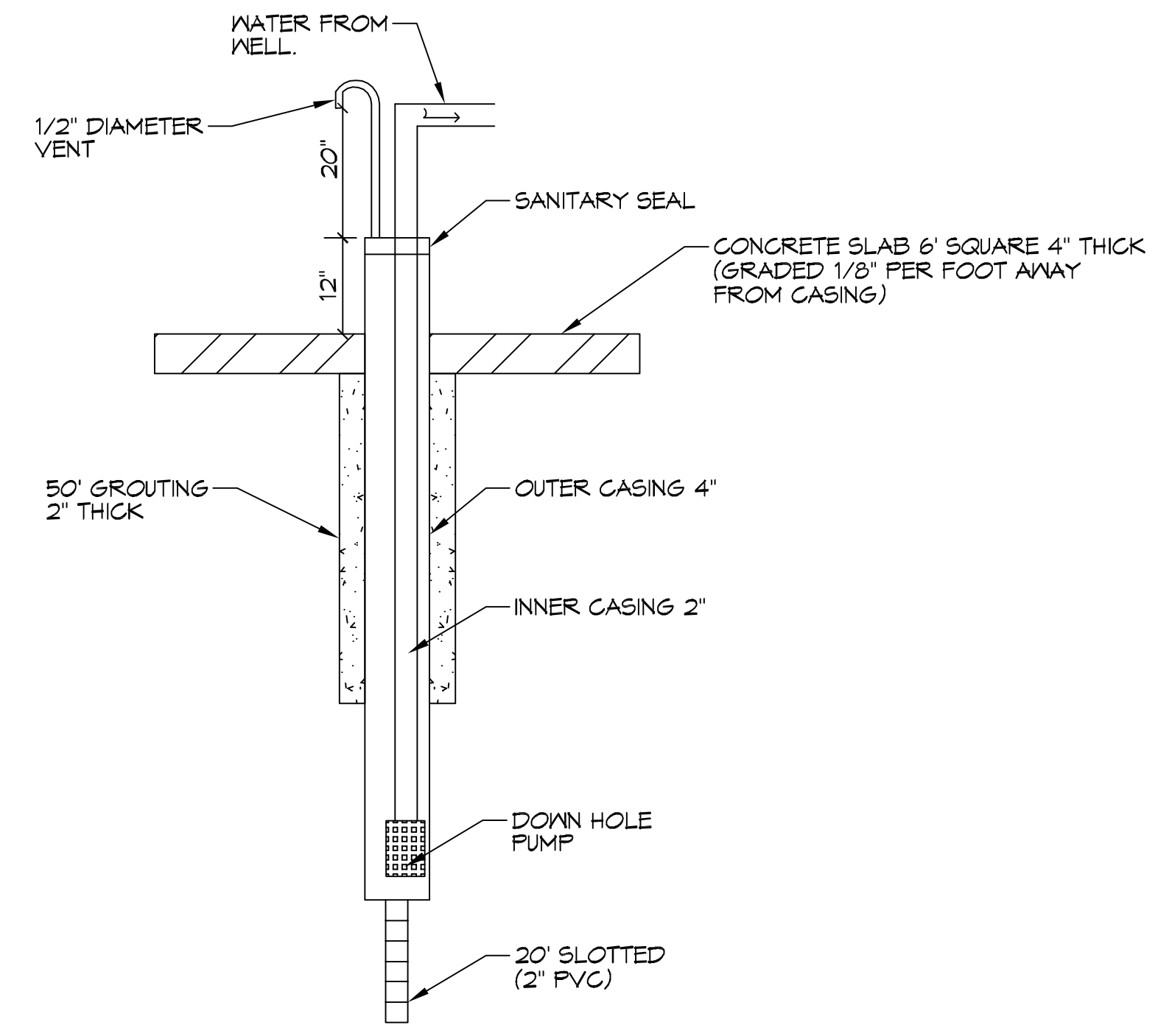


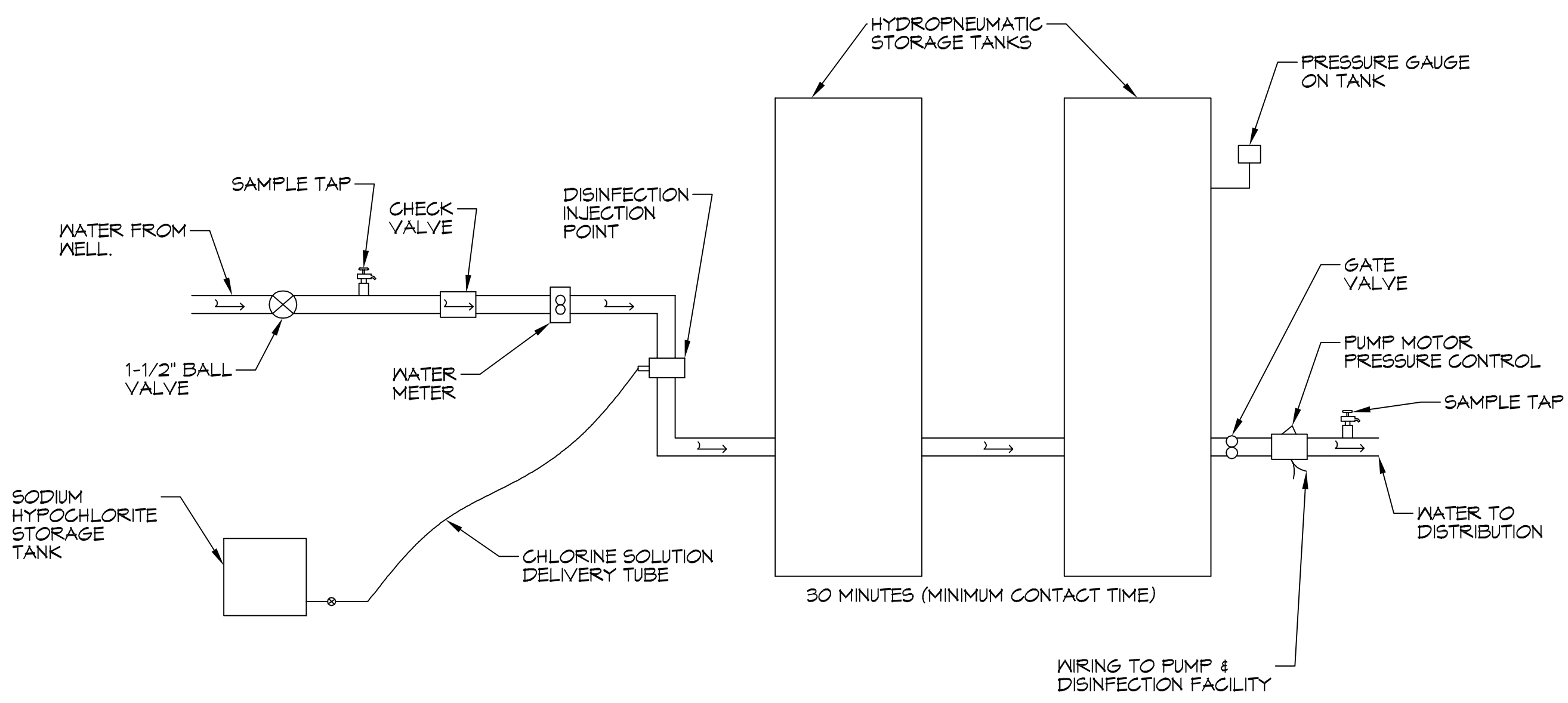
P.E. Number: 11-11874 (Professional Seal) - Mechanical, Electrical, Plumbing, Fire Protection, Energy, and Construction Management
 www.dammoneengineering.com
 info@dammoneengineering.com
 Phone: 985.677.1828



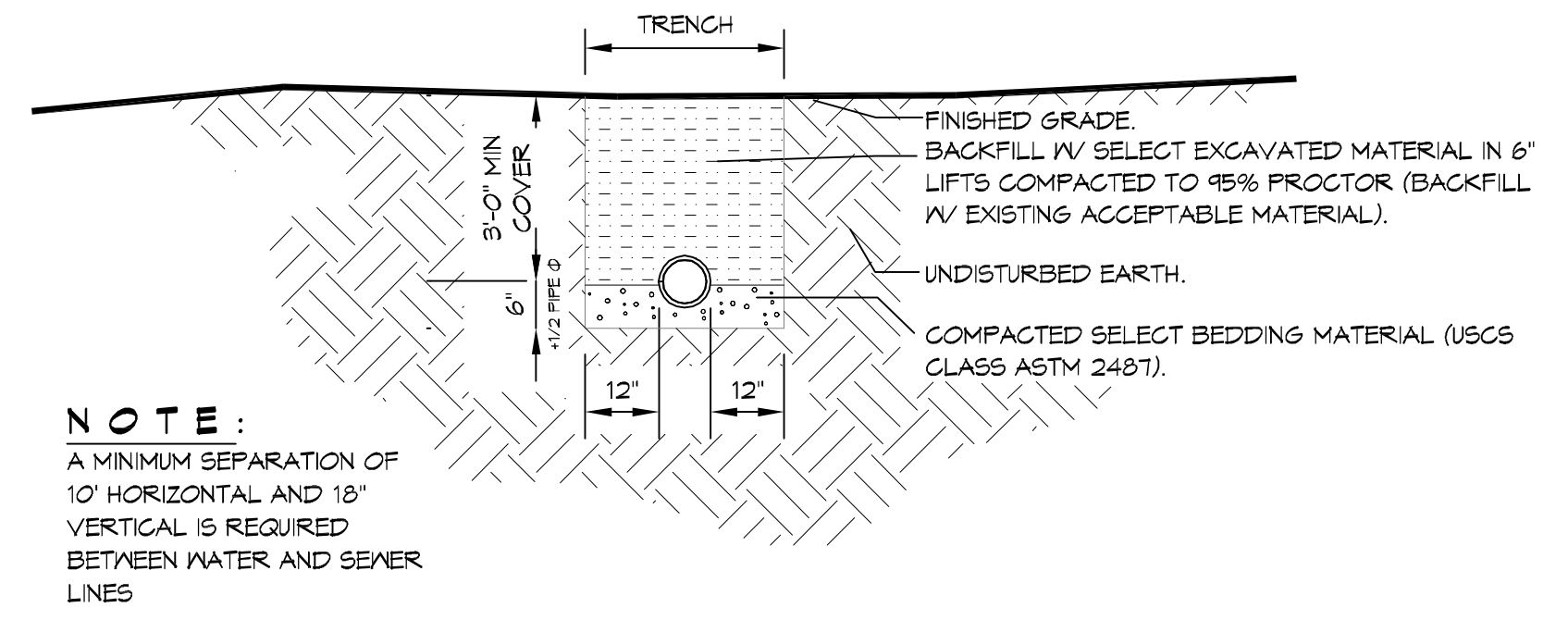
1 SITE PLAN
 SCALE: 1" = 20'-0"



2 WELL HEAD
 SCALE: N.T.S.



3 SMALL WATER SYSTEM CONFIGURATION
 SCALE: N.T.S.



NOTE:
 A MINIMUM SEPARATION OF 10' HORIZONTAL AND 18" VERTICAL IS REQUIRED BETWEEN WATER AND SEWER LINES

4 DETAIL
 SCALE: N.T.S.

DAMMON ENGINEERING, INC.
 LOUISIANA & MISSISSIPPI
 www.dammoneengineering.com
 info@dammoneengineering.com
 Chief Engineer: Brian Mestich, P.E.
 354 Old Spanish Trail
 Slidell, LA 70458

#	DESCRIPTION	DATE
1		



NEW RESTAURANT
ABACANTO RESTAURANT
 1936 LA HWY. 22 WEST
 MADISONVILLE, LA 70447
 JOB No: 2343 DATE: 11-19-2019
 DRAWN BY: BMM CHECKED BY: CSD

SHEET TITLE:
 WELL PLAN
 DRAWING NUMBER:
W101
 SHEET No: 1 of 3