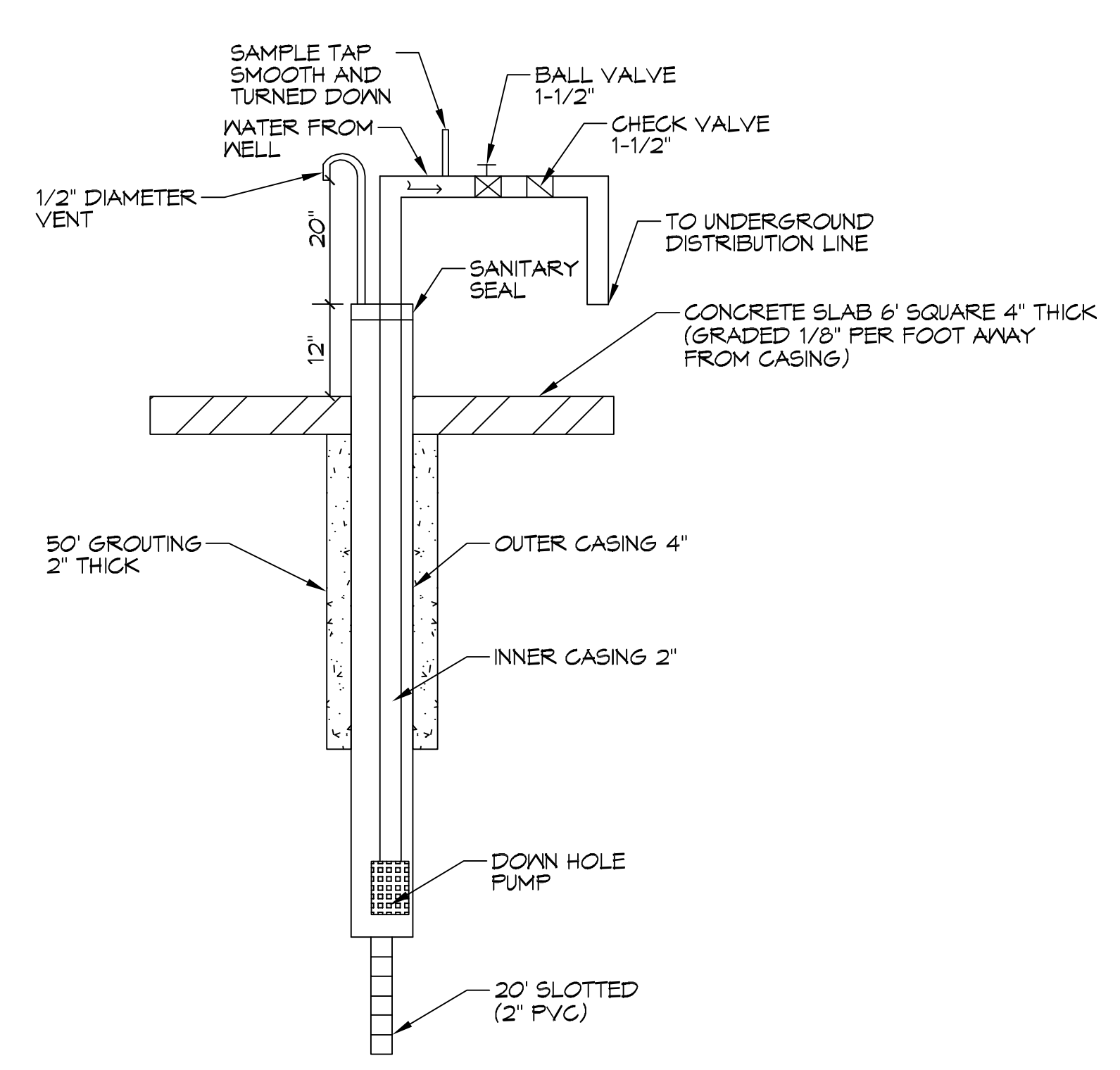
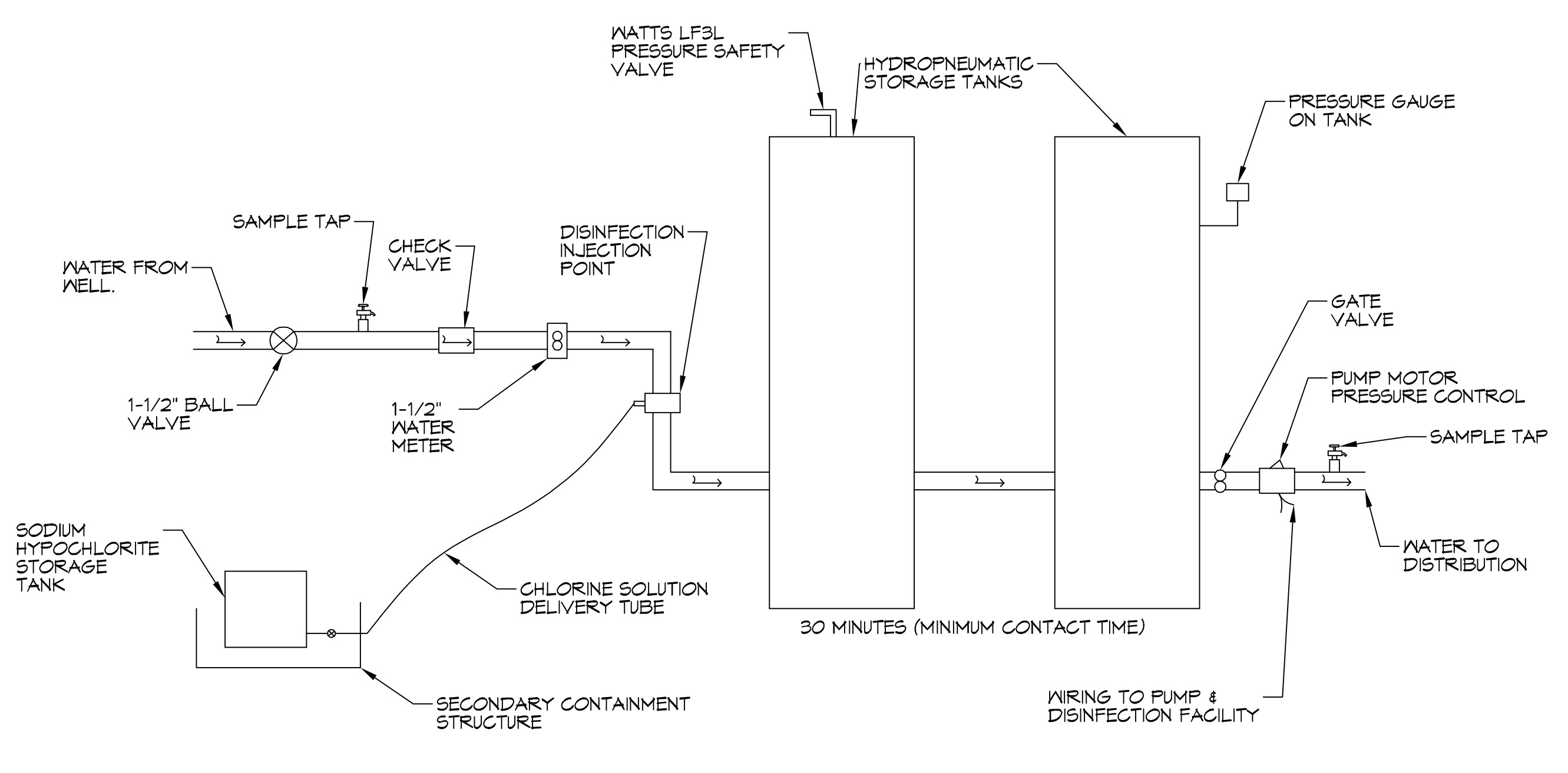


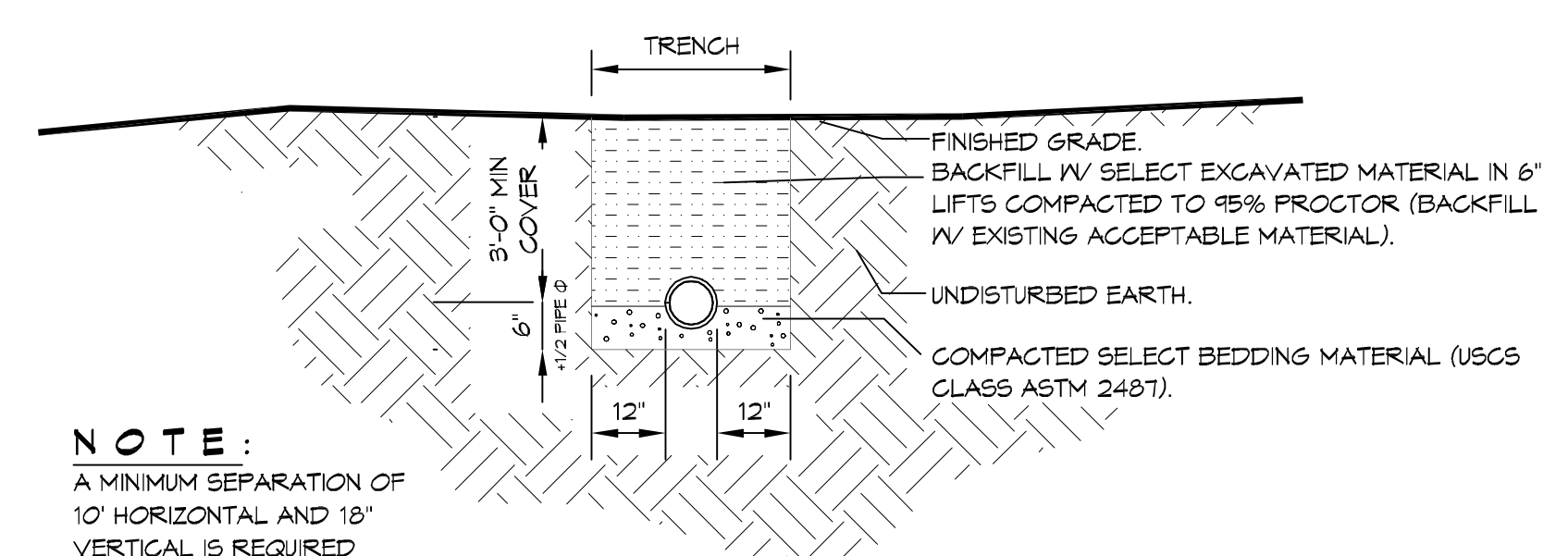
1 SITE PLAN
SCALE: 1" = 20'-0"



2 WELL HEAD
SCALE: N.T.S.



3 SMALL WATER SYSTEM CONFIGURATION
SCALE: N.T.S.



NOTE:
A MINIMUM SEPARATION OF 10' HORIZONTAL AND 18" VERTICAL IS REQUIRED BETWEEN WATER AND SEWER LINES.

4 DETAIL
SCALE: N.T.S.

NOTES

- THE CONSTRUCTION AND OPERATION OF THE HABANERO'S WATER SUPPLY SHALL CONFORM TO ALL APPLICABLE PROVISIONS OF LAC TITLE 51, PART 12.
- WATER WELL SHALL BE CONSTRUCTED IN ACCORD WITH LAC TITLE 51, PART 12, PASSAGE #321, 1 THRU 12, & 14 THRU 16.
- WATER WELL SHALL BE CONSTRUCTED IN ACCORD WITH LAC TITLE 51, PART 12, PASSAGE #329, A - D, 4, 5, 6, & 7.
- THE DISTRIBUTION SYSTEM SHALL BE CONSTRUCTED IN ACCORD WITH LAC TITLE 51, PART 12, PASSAGE 335, A, B, & D.
- THE DISTRIBUTION SYSTEM SHALL BE CONSTRUCTED IN ACCORD WITH LAC TITLE 51, PART 12, PASSAGE 341, A.
- THE DISTRIBUTION SYSTEM SHALL BE CONSTRUCTED IN ACCORD WITH LAC TITLE 51, PART 12, PASSAGE 344 AND 351.
- DISINFECTION OF THE NEW WATER SUPPLY SHALL BE IN ACCORD WITH LAC TITLE 51, PART 12, PASSAGE 355, A, B, & C.
- MANDATORY DISINFECTION SHALL BE IN ACCORD WITH LAC TITLE 51, PART 12, PASSAGE 355 A 1 E.
- MINIMUM DISINFECTANT RESIDUALS SHALL BE IN ACCORD WITH LAC TITLE 51, PART 12, PASSAGE 351 A, AND 361 A.
- WATER SHALL BE PROVIDED IN ACCORD WITH LAC TITLE 51, PART 12, PASSAGE 361 A, B, D, & E.

PARTS LIST

CHLORINATOR	STENNER	45MHP2
WATER STORAGE	WATER SYSTEM	PZ-220 (TWO)
PUMP	WATER HORSE	20NA1P4-2Q250
WATER METER	DAE	AS520U-150P
TABLET CHLORINATOR	NORWECO	LF 1000
TREATMENT PLANT	EIBC	5.0

DAMMON ENGINEERING, INC.
LOUISIANA & MISSISSIPPI

Chief Engineer: Brian Mestich, P.E.
www.dammonengineering.com
info@dammonengineering.com
354 Old Spanish Trail
Shreveport, LA 71208
PH: 985.687.1828

#	DESCRIPTION	DATE
1		

SEAL:

HABANERO RESTAURANT

1936 LA HWY. 22 WEST
MADISONVILLE, LA 70447

JOB No: 2345 DATE: 11-19-2019
DRAWN BY: BMM CHECKED BY: CSD

SHEET TITLE:
WELL PLAN

DRAWING NUMBER:
W101

SHEET No: 1 of 3