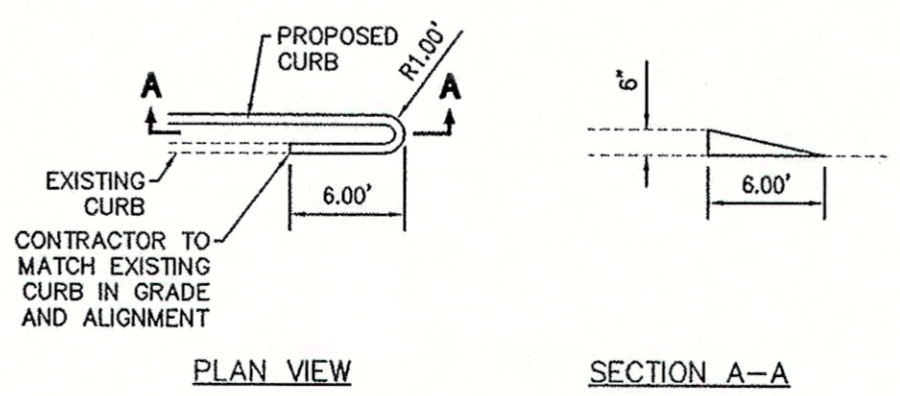
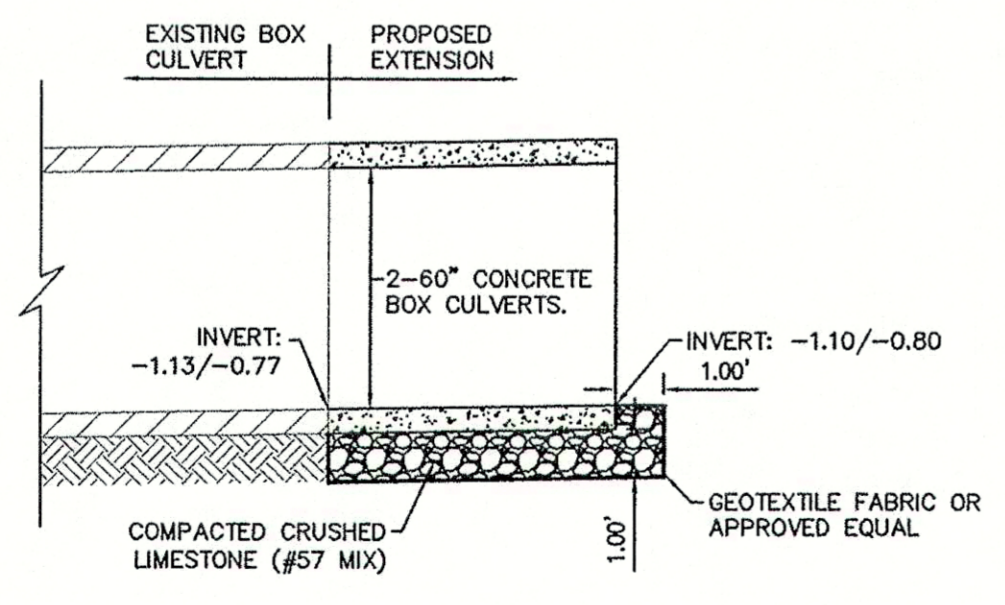
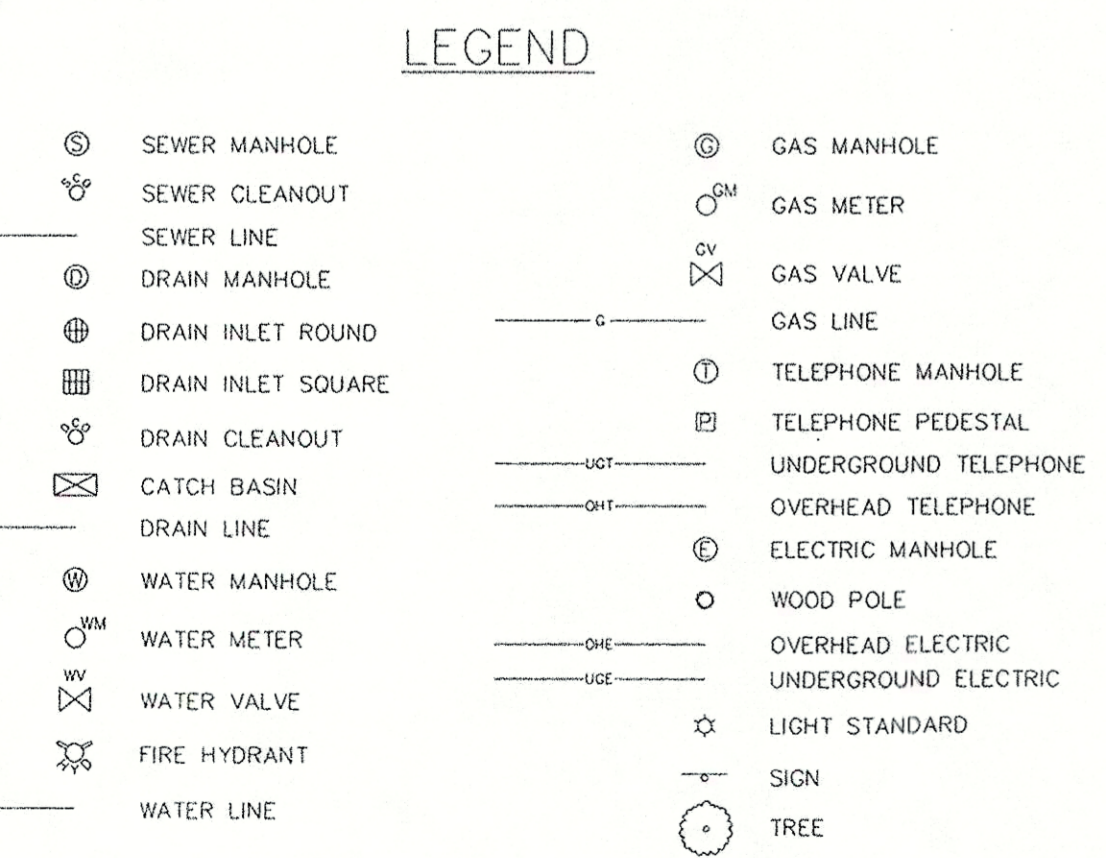
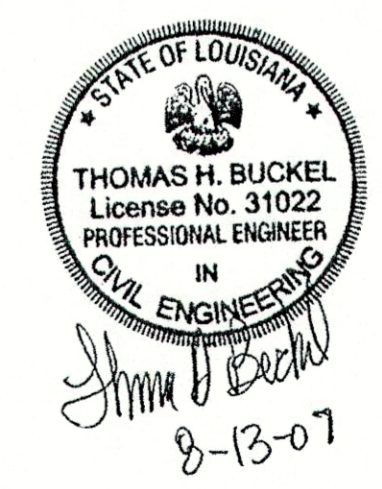


**STORM DRAINAGE NOTES:**

- REFERENCE GENERAL NOTES
- REFERENCE DETAIL SHEETS FOR CONSTRUCTION DETAILS
- ALL PIPES ENTERING STORM SEWER STRUCTURES SHALL BE SEALED TO ASSURE CONNECTION AT STRUCTURE IS WATER TIGHT.
- ALL PIPES & STRUCTURES ON STREET RIGHT-OF-WAY SHALL BE PER LOUISIANA DEPARTMENT OF TRANSPORTATION STANDARDS & SPECIFICATIONS.
- TYPES OF PIPE:
  - REINFORCED CONCRETE BOX SHALL BE CLASS 'A' CONCRETE & SHALL MEET OR EXCEED HS-20 LOADING.

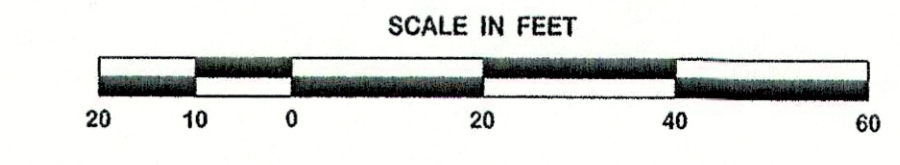
**CALL LOUISIANA ONE CALL - 1-800-272-3020**  
LOUISIANA STATE LAW, SECTION R.S.40:1748.15, REQUIRES EXCAVATORS & DEMOLISHERS TO NOTIFY A REGIONAL NOTIFICATION CENTER BY TELEPHONE 96 HOURS TO 120 HOURS IN ADVANCE OF ANY EXCAVATION OR DEMOLITION ACTIVITY. THE OWNERS/OPERATORS OF ANY UNDERGROUND FACILITY MUST THEN MARK THE AREA OR PROVIDE INFORMATION THAT WILL ENABLE AN EXCAVATOR OR DEMOLISHER TO DETERMINE THE LOCATION OF UNDERGROUND FACILITIES.

- GENERAL NOTES:**
- ALL MATERIALS & CONSTRUCTION METHODS USED INSIDE OF STATE RIGHT OF WAY SHALL CONFORM TO "LOUISIANA STANDARD SPECIFICATIONS FOR ROADS & BRIDGES" LATEST EDITION.
  - THE CONTRACTOR SHALL NOTIFY LOUISIANA DEPARTMENT OF TRANSPORTATION & DEVELOPMENT DISTRICT ENGINEER AT LEAST 48 HOURS BEFORE MOBILIZING ONTO STATE RIGHT OF WAY.
  - GUIDELINES SET FORTH IN THE "MANUAL ON UNIFORM TRAFFIC CONTROL DEVICES" SHALL BE OBSERVED.
  - ALL GRASSED AREAS DISTURBED BY EMBANKMENT OR EXCAVATION SHALL RECEIVE SEED AS REQUIRED IN DOTD STANDARD SPECIFICATION.
  - ALL REQUIRED PAVEMENT MARKINGS WITHIN STATE RIGHT OF WAY SHALL BE THERMOPLASTIC.
  - THE CONTRACTOR SHALL BE SOLELY RESPONSIBLE FOR PROVIDING ADEQUATE TRAFFIC CONTROL DURING CONSTRUCTION. THE CONTRACTOR SHALL SUBMIT A TRAFFIC CONTROL PLAN TO L.D.O.T.D. DISTRICT OFFICE FOR COORDINATION PRIOR TO BEGINNING WORK.
  - ANY CONSTRUCTION METHODS OR MATERIALS FOUND TO BE NON-ACCEPTABLE BY L.D.O.T.D. SHALL BE REPORTED TO:
    - DUPLANTIS DESIGN GROUP, P.C.
    - 734 N. CAUSEWAY BLVD SUITE 201
    - MANDEVILLE, LA 70447
    - PHONE: 985-626-9547
    - CONTACT: TOMMY BUCKEL
  - IT IS THE CONTRACTORS RESPONSIBILITY TO COORDINATE WITH ALL UTILITY COMPANIES AFFECTED BY THE PROPOSED IMPROVEMENTS PRIOR TO CONSTRUCTION. THE CONTRACTOR SHALL CONTACT EACH INDIVIDUAL UTILITY COMPANY AT THE TIME CONTRACT IS AWARDED FOR A PRE-CONSTRUCTION MEETING RELATING TO THEIR EXISTING SERVICES.
  - THE CONTRACTOR IS SPECIFICALLY CAUTIONED THAT THE LOCATION &/OR ELEVATION OF EXISTING UTILITIES AS SHOWN ON THESE PLANS IS BASED ON RECORDS OF THE VARIOUS UTILITY COMPANIES & WHERE POSSIBLE, MEASUREMENTS TAKEN IN THE FIELD. THE INFORMATION IS NOT TO BE RELIED ON AS BEING EXACT OR COMPLETE. IT SHALL BE THE RESPONSIBILITY OF THE CONTRACTOR TO RELOCATE ALL EXISTING UTILITIES WHICH CONFLICT WITH THE PROPOSED IMPROVEMENTS SHOWN ON THE PLANS.
  - ALL STRIPING IN LOUISIANA DEPARTMENT OF TRANSPORTATION AND DEVELOPMENT (LADOTD) RIGHT-OF-WAY SHALL CONFORM TO LADOTD PLAN PM-01.



**CONCRETE BOX CULVERT DETAIL**  
SCALE: NTS  
\* SEE LOUISIANA DEPARTMENT OF TRANSPORTATION AND DEVELOPMENT STANDARD DETAIL FOR RGS EXTENSIONS.

**MEDIAN TAPER DETAIL**  
SCALE: NTS



DATE	DESCRIPTION	BY

**ROADWAY IMPROVEMENT PLAN**  
**U.S. HIGHWAY NUMBER 90**  
BOUTTE, LOUISIANA  
THE SPECTRA GROUP, INC.

DATE: 8-10-07 DEI FILE: 07-205 V4

**DDG DUPLANTIS DESIGN GROUP, PC**  
Respect • Integrity • Client Satisfaction • Excellence  
THIBODAUX • MANDEVILLE • HOUSTON  
Civil Engineering • Site Development • Land Planning • Public Works • Architecture  
335 N. Causeway Boulevard, Suite 201  
Metairie, Louisiana 70002  
Phone: 504.885.9547  
Fax: 504.885.0200

DESIGNED:	DATE:	BY:
THB	8-13-07	THB
CHECKED:		
RCG		