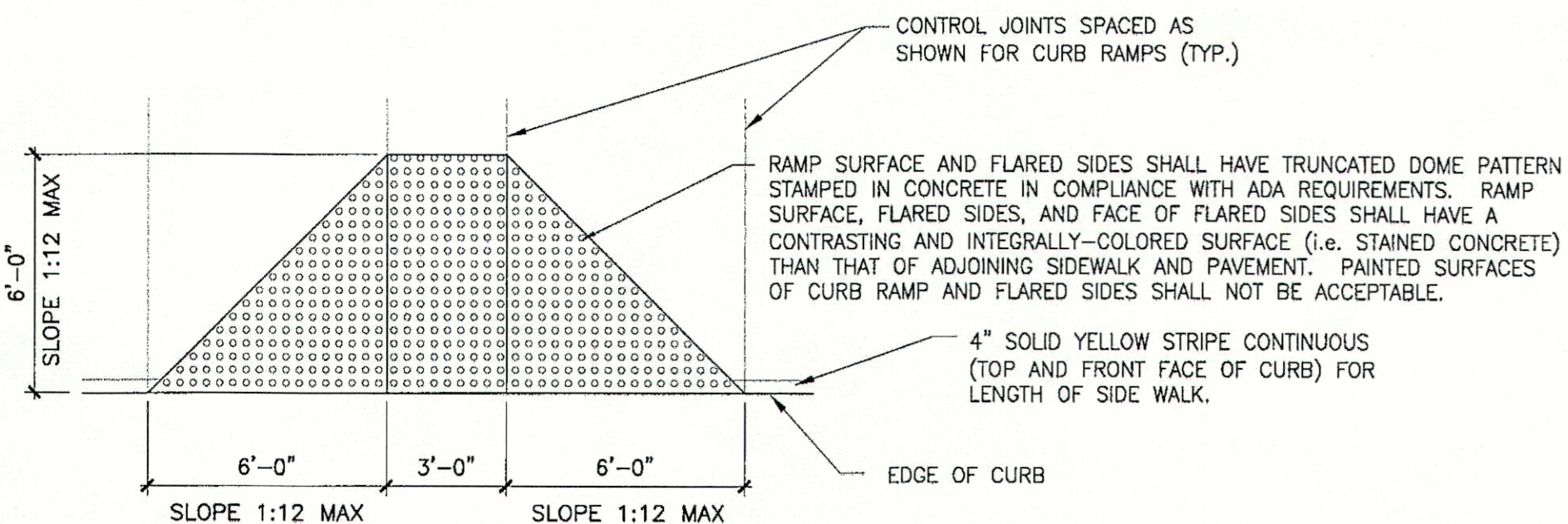
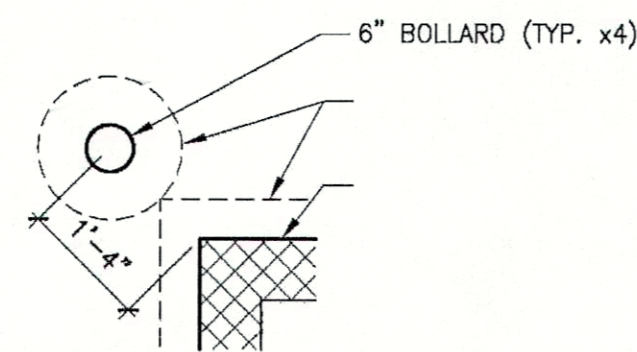


1 ARCHITECTURAL SITE PLAN
1/16" = 1'-0"



2 DETAIL
1SW1.1 1/4" = 1'-0"



3 DETAIL
1SW1.1 1/2" = 1'-0"

- 5 GENERAL NOTES**
- PROVIDE 16 SLOT U.S. POSTAL SERVICE APPROVED OUTDOOR CENTRALIZED MAIL DELIVERY SYSTEM. SEE CIVIL PLANS FOR LOCATION.
AMERICAN POSTAL MFG. (877) 244-5618
MODEL # N1004638 ALUMINUM
- 6 SPECIFIC NOTES**
- CONTRACTOR TO SLOPE PAVEMENT TO CREATE 6" CURB IN 10' (SEE CIVIL).
 - CONTRACTOR TO PROVIDE INDUSTRY STANDARD TRASH RECEPTACLE IN LOCATION SHOWN.

DATE	DESCRIPTION	BY	REVISION
12/14/08	REV #5	CJC	
6/15/08	REV #4	CJC	
3/14/08	REV #3	LMR	
9/17/07	REV #1	LMR	

DDG DUPLANTIS DESIGN GROUP, PC
 Respect • Integrity • Client Satisfaction • Excellence
 THIRDOLUX MANDEVILLE HOUSTON
 Civil Engineering • Site Development • Land Planning • Public Works • Architecture
 314 East Bayou Road
 Thibodaux, Louisiana 70301
 Phone: 985.447.0090
 Fax: 985.447.7009

STAMP
 SIGNATURE: [Signature]
 DATE: 12/23/08

REGISTERED PROFESSIONAL ENGINEER
 STATE OF MISSISSIPPI
 No. 12345

PROPOSED RETAIL DEVELOPMENT
 CITY OF BOULTE
 ST. CHARLES PARISH, LOUISIANA
 FOR THE SPECTRA GROUP, INC.
 MEMPHIS, TENNESSEE

DRAWN LMR
 CHECKED SHW
 DATE 8/13/07
 SCALE AS NOTED ON DWG
 PROJECT NO. 07-205A
 FILE: REVISION 3\SW1-LDWG
 SHEET

SW1.1