

# 1 DOOR SCHEDULE

DOOR MARK	OPENING SIZE	THICKNESS	(FOR NOTES SEE 3/A2.1)						FRAME DETAILS (REF. SHEET A2.1)			REMARKS	
			DOOR TYPE (NOTE 1)	CONSTRUCTION (NOTE 2)	FINISH (NOTE 3)	GLASS (NOTE 4)	RATING (NOTE 5)	FRAME TYPE (NOTE 6)	H	J	S		
101	3'-0"x7'-0"	1-3/4"	AS2	AL	TP	AA	-	10	11	12	1		
101A	4'-0"x7'-0"	1-3/4"	MV1	HM	P	-	-	HMP	1	13	14	15	
101B	3'-0"x7'-0"	1-3/4"	MV1	HM	P	-	-	HMP	1	13	14	15	
101C	3'-0"x7'-0"	1-3/4"	AS2	AL	TP	AA	-	10	11	12	1		
201	3'-0"x7'-0"	1-3/4"	AS1	AL	TP	AA	-	10	11	12	1		
201A	3'-0"x7'-0"	1-3/4"	MV1	HM	P	-	-	HMP	1	13	14	15	
202	3'-0"x7'-0"	1-3/4"	FW	SC	P	-	-	HMP	2	21	22	23	3, 7
301	3'-0"x7'-0"	1-3/4"	AS1	AL	TP	AA	-	10	11	12	1		
301A	3'-0"x7'-0"	1-3/4"	MV1	HM	P	-	-	HMP	1	13	14	15	
302	3'-0"x7'-0"	1-3/4"	FW	SC	P	-	-	HMP	2	21	22	23	3, 7
401	3'-0"x7'-0"	1-3/4"	AS1	AL	TP	AA	-	10	11	12	1		
401A	3'-0"x7'-0"	1-3/4"	MV1	HM	P	-	-	HMP	1	13	14	15	
402	3'-0"x7'-0"	1-3/4"	FW	SC	P	-	-	HMP	2	21	22	23	3, 7
403	3'-0"x7'-0"	1-3/4"	FW	SC	P	-	-	HMP	2	21	22	23	3, 7
404	3'-0"x7'-0"	1-3/4"	FW	SC	P	-	-	HMP	2	21	22	23	3, 7
501	3'-0"x7'-0"	1-3/4"	AS1	AL	TP	AA	-	10	11	12	1		
501A	3'-0"x7'-0"	1-3/4"	MV1	HM	P	-	-	HMP	1	13	14	15	
502	3'-0"x7'-0"	1-3/4"	FW	SC	P	-	-	HMP	2	21	22	23	3, 7
601	3'-0"x7'-0"	1-3/4"	AS1	AL	TP	AA	-	10	11	12	1		
601A	3'-0"x7'-0"	1-3/4"	MV1	HM	P	-	-	HMP	1	13	14	15	
601B	3'-0"x7'-0"	1-3/4"	MV1	HM	P	-	-	HMP	1	13	14	15	
602	3'-0"x7'-0"	1-3/4"	FW	SC	P	-	-	HMP	2	21	22	23	3, 7
603	3'-0"x7'-0"	1-3/4"	FW	SC	P	-	-	HMP	2	21	22	23	3, 7
701	3'-0"x7'-0"	1-3/4"	AS1	AL	TP	AA	-	10	11	12	1		
701A	3'-0"x7'-0"	1-3/4"	MV1	HM	P	-	-	HMP	1	13	14	15	
702	3'-0"x7'-0"	1-3/4"	FW	SC	P	-	-	HMP	2	21	22	23	3, 7
801	3'-0"x7'-0"	1-3/4"	AS1	AL	TP	AA	-	10	11	12	1		
801A	3'-0"x7'-0"	1-3/4"	MV1	HM	P	-	-	HMP	1	13	14	15	
801B	3'-0"x7'-0"	1-3/4"	MV1	HM	P	-	-	HMP	1	13	14	15	
802	3'-0"x7'-0"	1-3/4"	FW	SC	P	-	-	HMP	2	21	22	23	3, 7
901	6'-0"x7'-0"	1-3/4"	AS2	AL	TP	AA	-	10	11	12	1		
902	3'-0"x7'-0"	1-3/4"	FW	SC	P	-	-	HMP	2	21	22	23	3, 5
902A	3'-0"x7'-0"	1-3/4"	MV1	HM	P	-	-	HMP	1	13	14	15	
903	3'-0"x7'-0"	1-3/4"	FW	SC	P	-	-	HMP	2	21	22	23	3, 7
904	3'-0"x7'-0"	1-3/4"	FW	SC	P	-	-	HMP	2	21	22	23	3, 6, 7
905	3'-0"x7'-0"	1-3/4"	MV1	HM	P	-	-	HMP	1	13	14	15	
906	3'-0"x7'-0"	1-3/4"	FW	SC	P	-	-	HMP	2	21	22	23	3
1001	6'-0"x7'-0"	1-3/4"	AS2	AL	TP	AA	-	10	11	12	1		
1002	3'-0"x7'-0"	1-3/4"	FW	SC	P	-	-	HMP	2	21	22	23	9
1002A	3'-0"x7'-0"	1-3/4"	MV1	HM	P	-	-	HMP	1	13	14	15	10
1003	3'-0"x7'-0"	1-3/4"	FW	SC	P	-	-	HMP	2	21	22	23	3, 7
1004	3'-0"x7'-0"	1-3/4"	FW	SC	P	-	-	HMP	2	21	22	23	3, 7
1005	3'-0"x7'-0"	1-3/4"	MG7	HM	P	-	-	HMP	2	21	22	23	3, 8
1101	6'-0"x7'-0"	1-3/4"	AS2	AL	TP	AA	-	10	11	12	1		
1102	3'-0"x7'-0"	1-3/4"	FW	SC	P	-	-	HMP	2	21	22	23	3, 5
1102A	3'-0"x7'-0"	1-3/4"	MV1	HM	P	-	-	HMP	1	13	14	15	
1103	3'-0"x7'-0"	1-3/4"	FW	SC	P	-	-	HMP	2	21	22	23	3, 7
1104	3'-0"x7'-0"	1-3/4"	FW	SC	P	-	-	HMP	2	21	22	23	3, 7
1105	3'-0"x7'-0"	1-3/4"	MV1	HM	P	-	-	HMP	1	13	14	15	
1201	3'-0"x7'-0"	1-3/4"	AS1	AL	TP	AA	-	10	11	12	1		
1201A	3'-0"x7'-0"	1-3/4"	MV1	HM	P	-	-	HMP	1	13	14	15	
1301	3'-0"x7'-0"	1-3/4"	MV1	HM	P	-	-	HMP	1	13	14	15	4
1401	3'-0"x7'-0"	1-3/4"	AS1	AL	TP	AA	-	10	11	12	1		
1401A	3'-0"x7'-0"	1-3/4"	MV1	HM	P	-	-	HMP	1	13	14	15	
1402	3'-0"x7'-0"	1-3/4"	FW	SC	P	-	-	HMP	2	21	22	23	3, 7

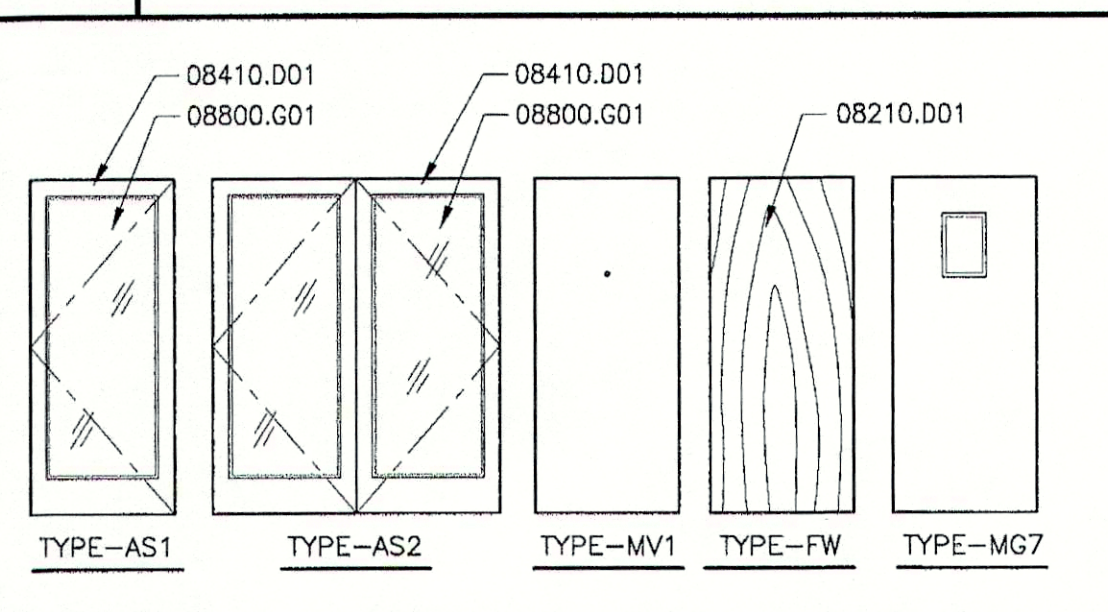
# 2 DOOR REMARKS

- DOOR IS PART OF STOREFRONT SYSTEM, SEE STOREFRONT SCHEDULE AND DETAILS.
- CASING OPENING FINISH SHOWN TO INDICATE FINISH BY TENANT. PAINTING OF DOOR IS NOT IN CONTRACT.
- VIEWER NOT PROVIDED FOR THIS DOOR.
- INSTALL CLOSER ON RECEIVING ROOM SIDE OF DOOR.
- WALL HAS EXTRA LAYER OF O.S.B., ADJUST FRAME WIDTH ACCORDINGLY.
- UNDER CUT DOOR 1"
- STOCKROOM DOOR WITH ONE-WAY VIEWING WINDOW. PASSAGE SET - SCHLAGE S100-LEV (LEVER HANDLES) WITH SATIN CHROME FINISH NO. 628. WALL BUMPER TO BE IVES 410 (810). FINISH FINISH TO BE SATIN CHROME. DOOR AND HARDWARE SUPPLIED AND INSTALLED BY LANDLORD CONTRACTOR. 12" X 12" ONE-WAY VIEWING WINDOW CENTERED IN DOOR AT 60" AFF.
- STOCKROOM DOOR: BI-DIRECTIONAL DOOR W/ AN AIR SEAL. MANUFACTURED BY COP MODEL #990R W/ 1/4" X 14" X 16" ONE WAY VIEWING WINDOW, 18" SCUFF PLATE AND PERIMETER GASKET OR CARLSON MODEL #T8 W/ 1/4" X 12" X 20" ONE WAY VIEWING WINDOW. 18" SS SCUFF PLATE AND PERIMETER GASKET. STOCKROOM DOOR TO BE BEIGE ABS CLAD. TO INCLUDE HEADER STOP AND FULL HANDLE. DOOR AND HARDWARE SUPPLIED AND INSTALLED BY LANDORD CONTRACTOR.
- REAR EXIT DOOR. UNFINISHED DOOR AND FRAME SUPPLIED, INSTALLED, AND FINISHED BY LANDLORD'S CONTRACTOR. DOOR AND FRAME TO BE (1) HOUR FIRE RATED, "B" LABEL TO COMPLY WITH LOCAL AND STATE CODES. HINGES - STANLEY #FB179 SECURITY STUD HINGE (OR EQUAL). STAINLESS STEEL FINISH, 1 1/2" PAIR PER DOOR. LANDLORD'S CONTRACTOR TO SUPPLY AND INSTALL THESE ITEMS: (2) HEAVY DUTY INDUSTRIAL SQUARE SLIDE BOLTS, 1700 SERIES, #1708TB, MANUFACTURED BY GLYNN-JOHNSON (OR EQUAL); 3" X 11" TAMPER-PROOF LATCH COVER, MANUFACTURED BY LATCH-GUARD INC.; FULL DOOR WIDTH SEAL/SWEEP, STANLEY #5070 - US28 MOUNTED ON EXTERIOR SIDE AT BOTTOM TO PREVENT RODENT OR WATER PENETRATION; PERIMETER OF DOOR IS TO RECEIVE A SMOKE GASKET; (IF EXISTING DOOR MUST HAVE FULL WEATHER-STRIPPING, THRESHOLD AND DOOR SWEEP IN GOOD WORKING CONDITION) PEEP HOLE CENTERED IN DOOR AT 54" A.F.F. AND CLOSER WITH STAINLESS STEEL FINISH #R9120 PARALLEL ARM CLOSER MANUFACTURED BY RUSSEVIN CO. MOUNTED ON STORE SIDE. STORE SIGN LABEL ON OUTSIDE FACE OF DOOR CENTERED AT 66" A.F.F. SIGN IS PROVIDED BY OWNER AND INSTALLED BY LANDLORD'S CONTRACTOR. LANDLORD'S CONTRACTOR TO INSTALL SARGENT & GREENLEAF, INC. MODEL "ARM-A-DOOR" A101-SERIES ALARMED AUTOMATIC RELOCK PANIC BAR WITH SATIN CHROME FINISH, CENTERED AT 45" A.F.F. BY LANDLORD.

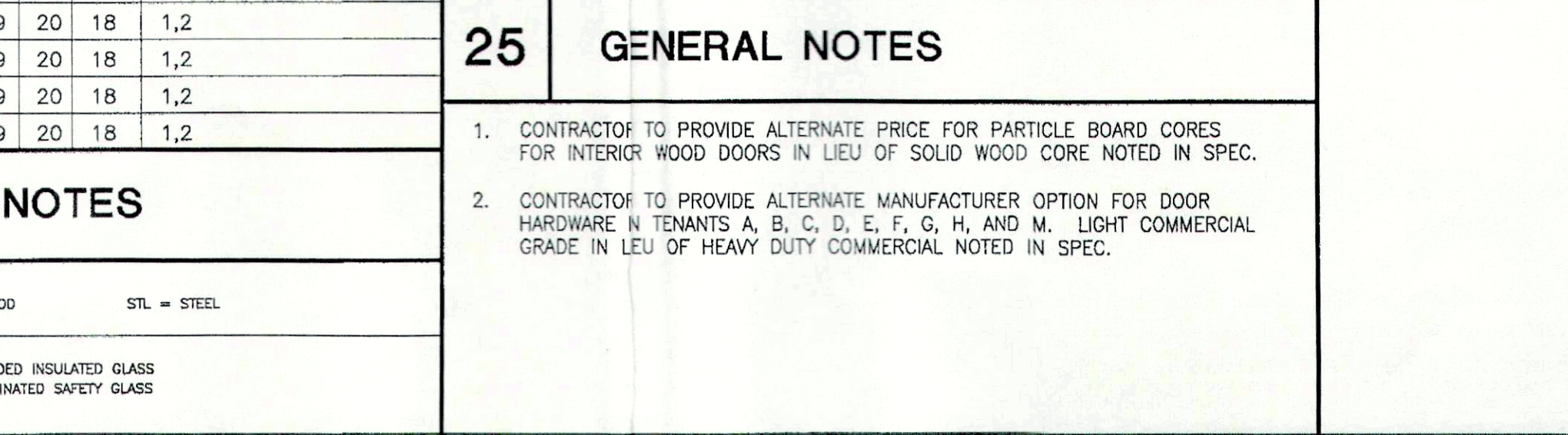
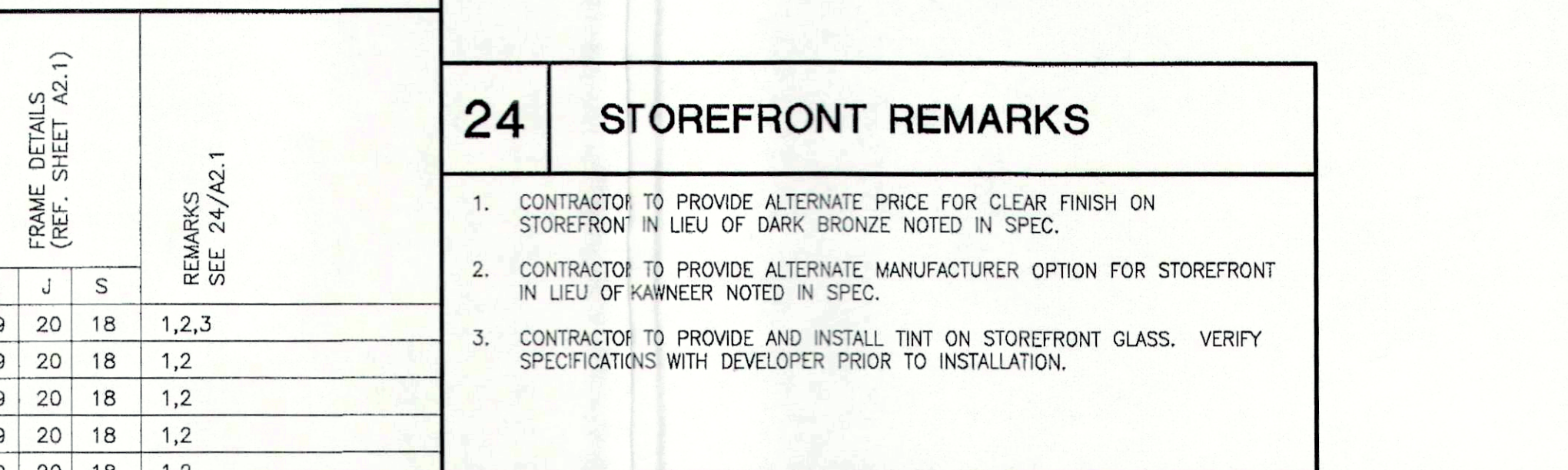
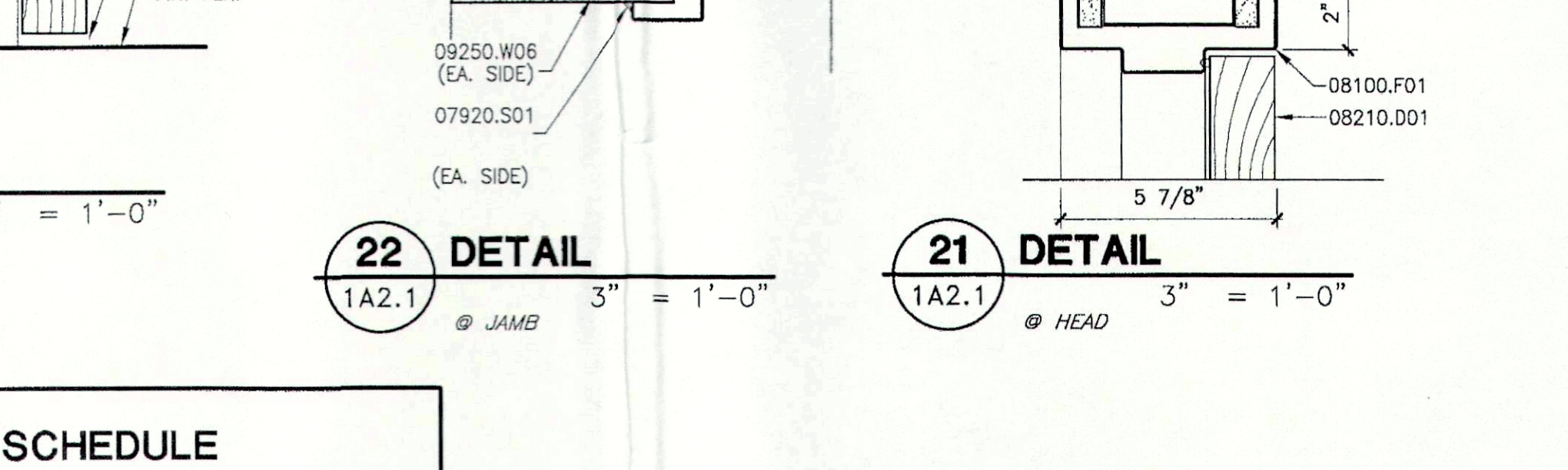
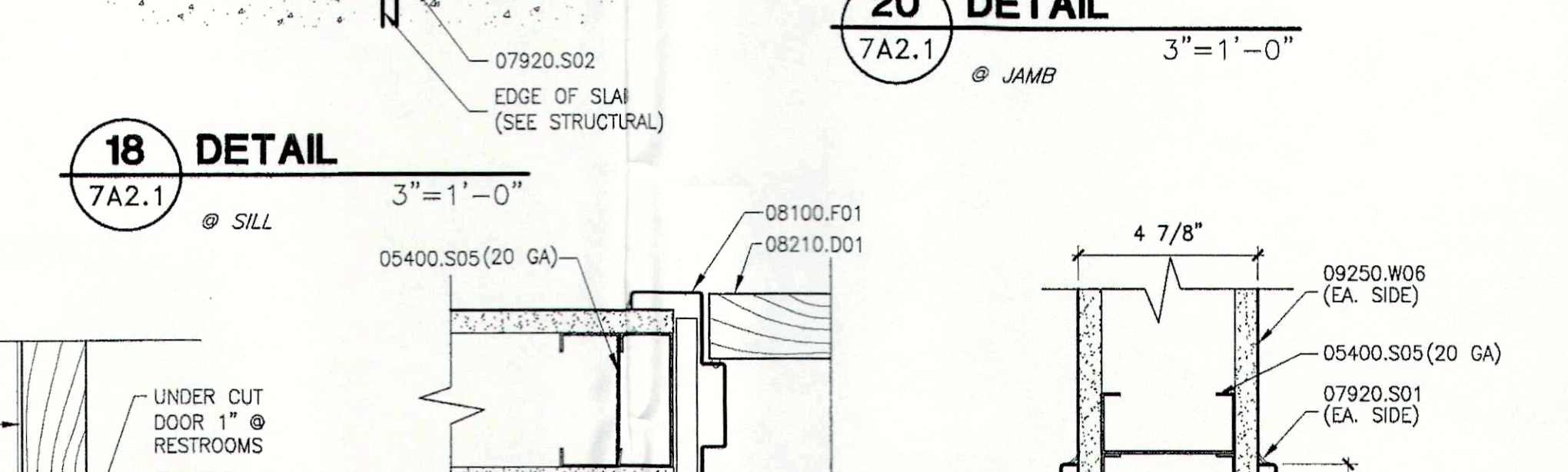
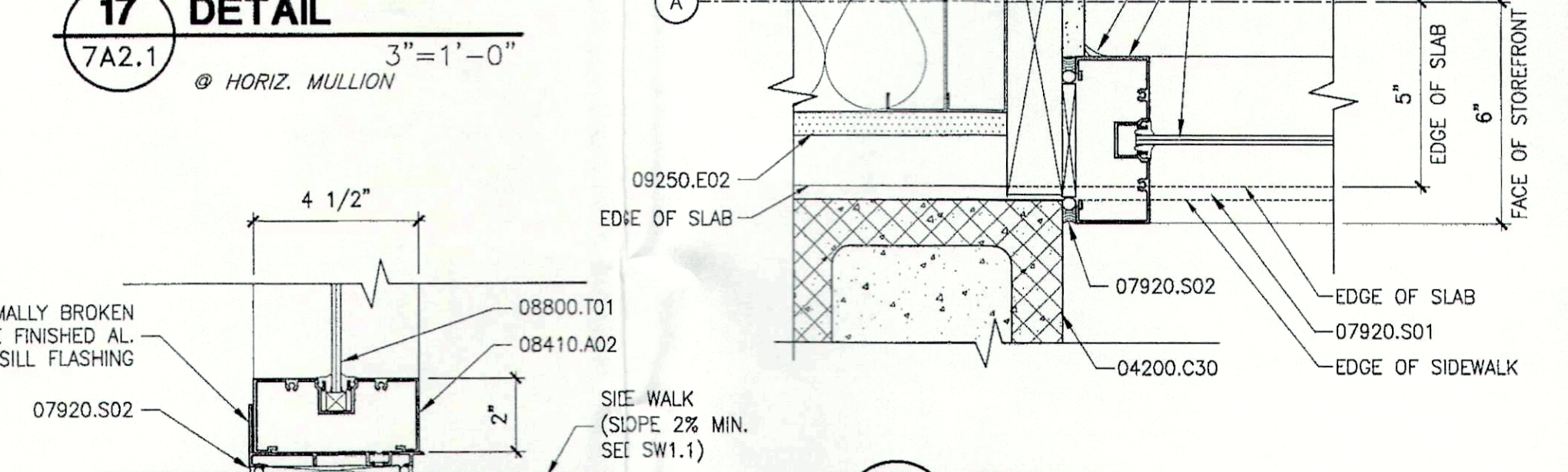
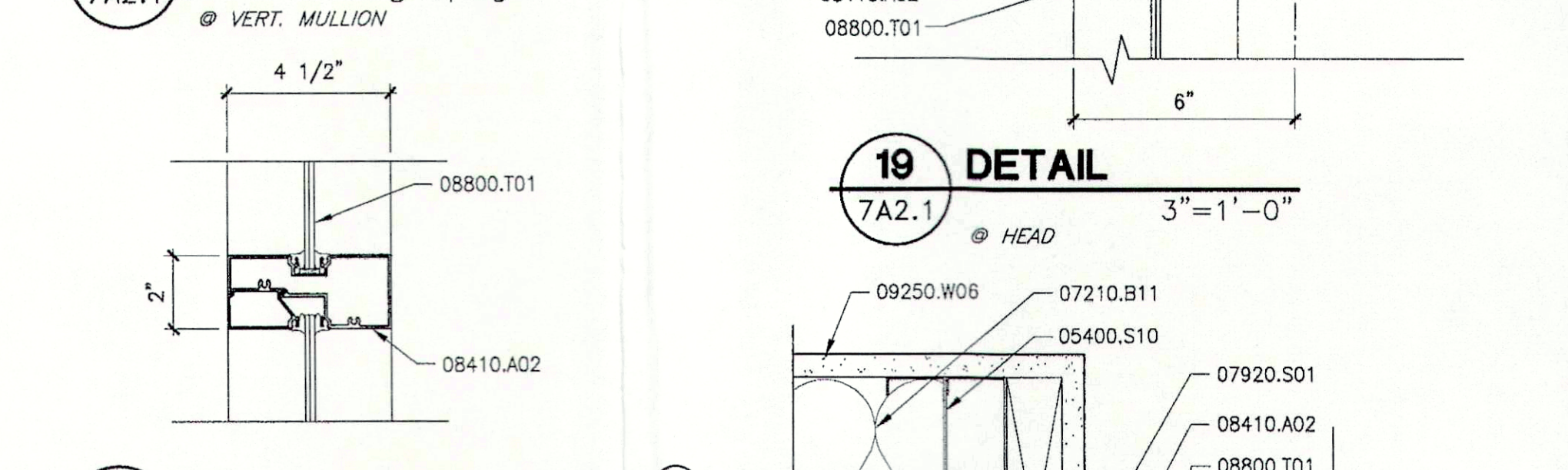
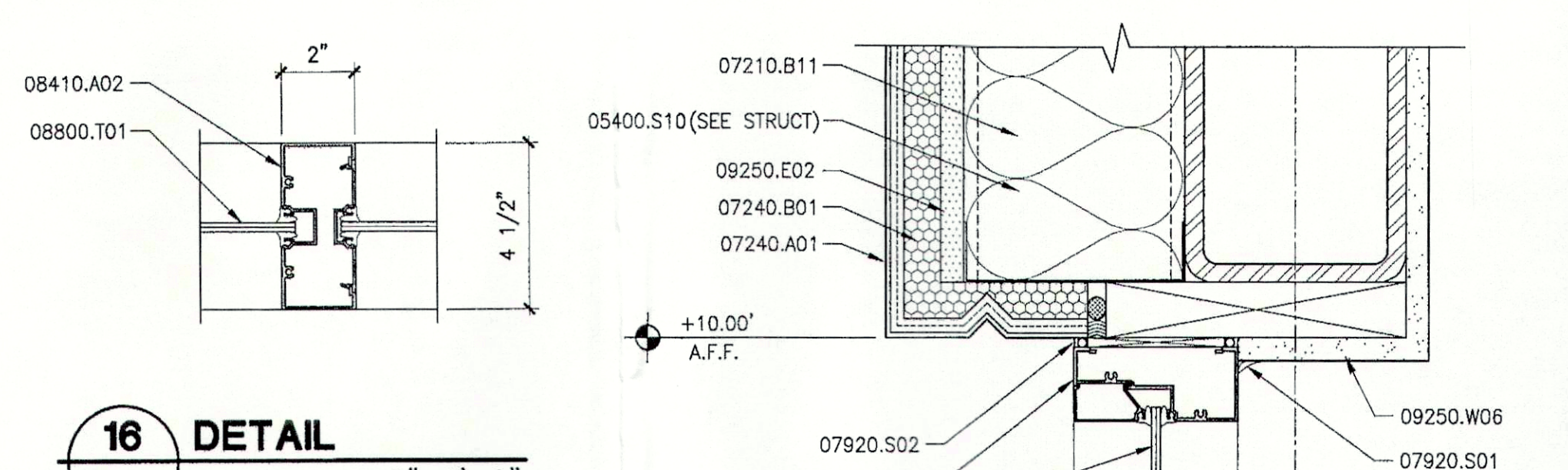
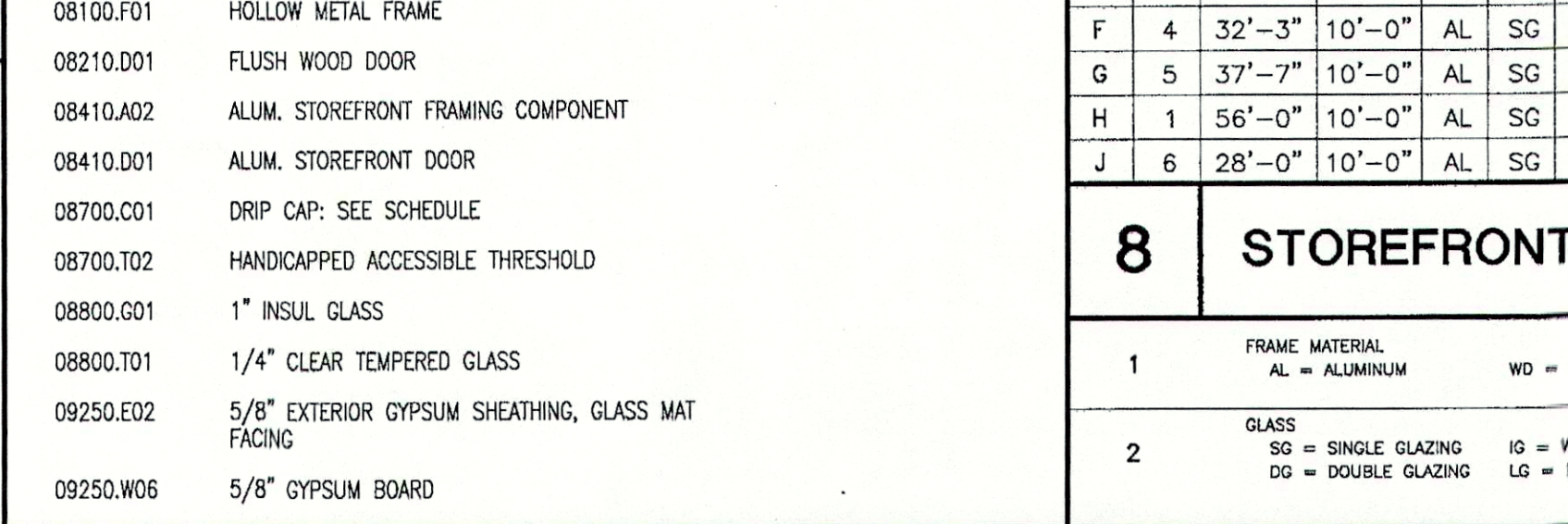
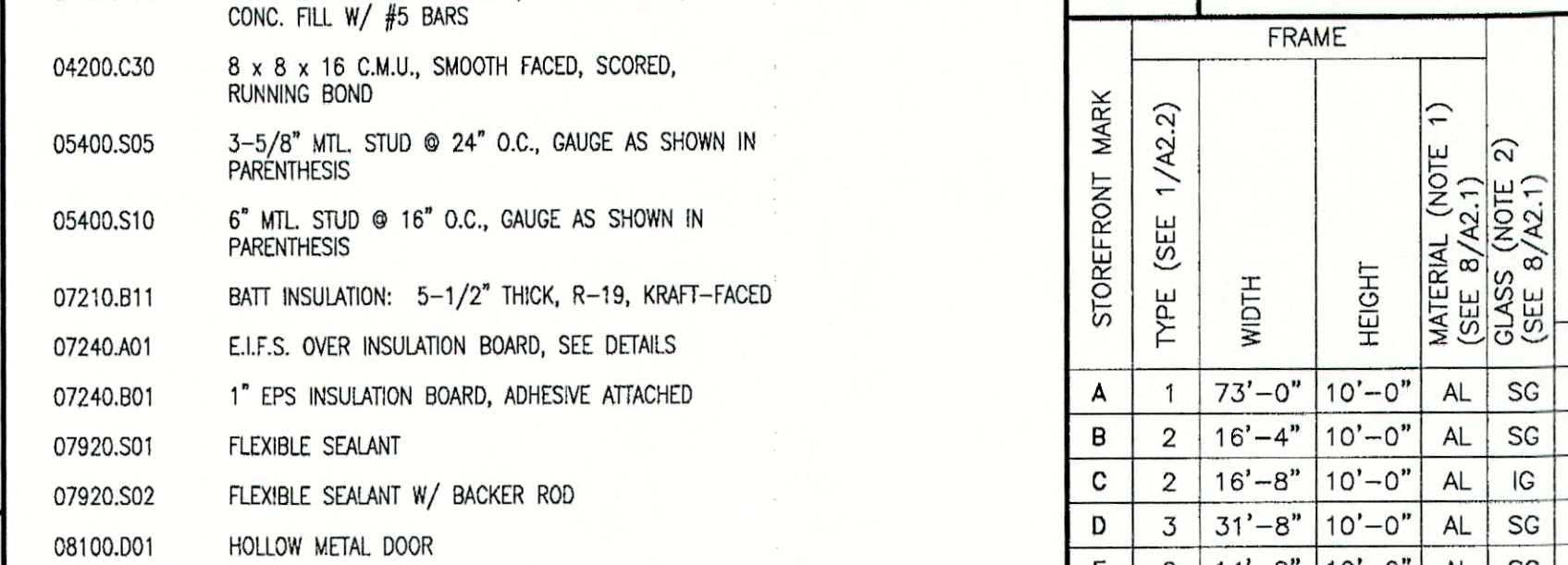
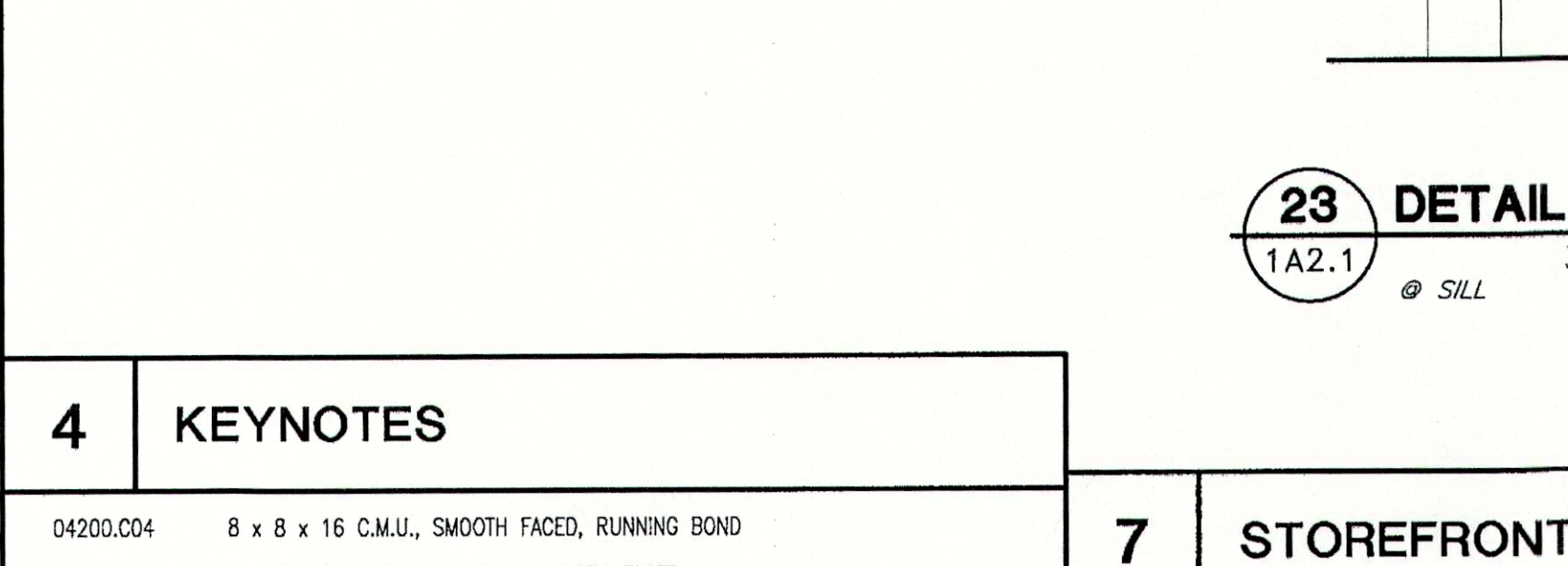
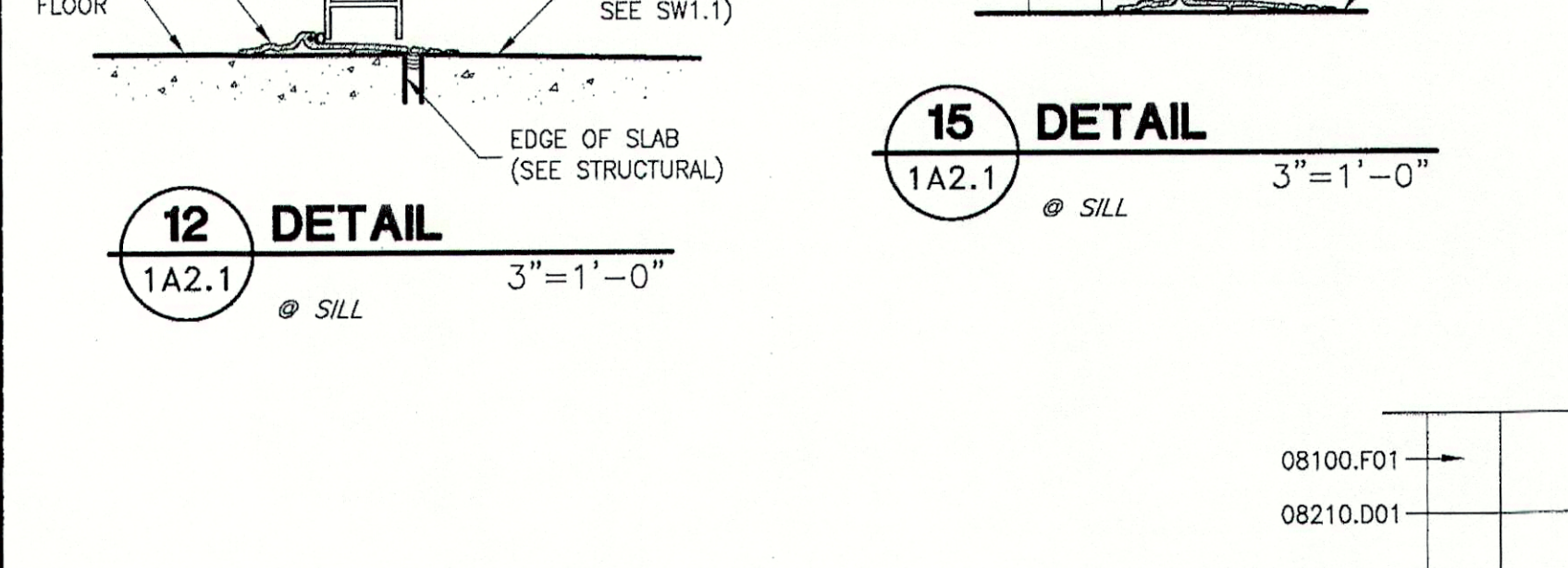
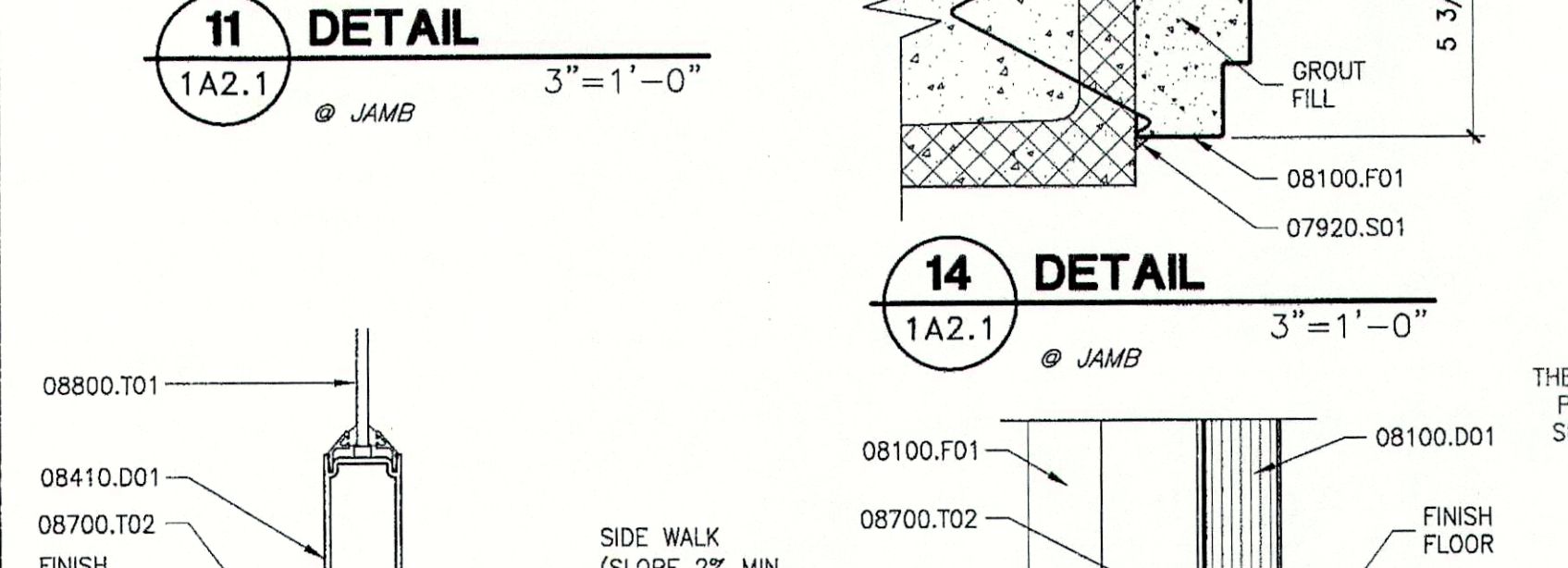
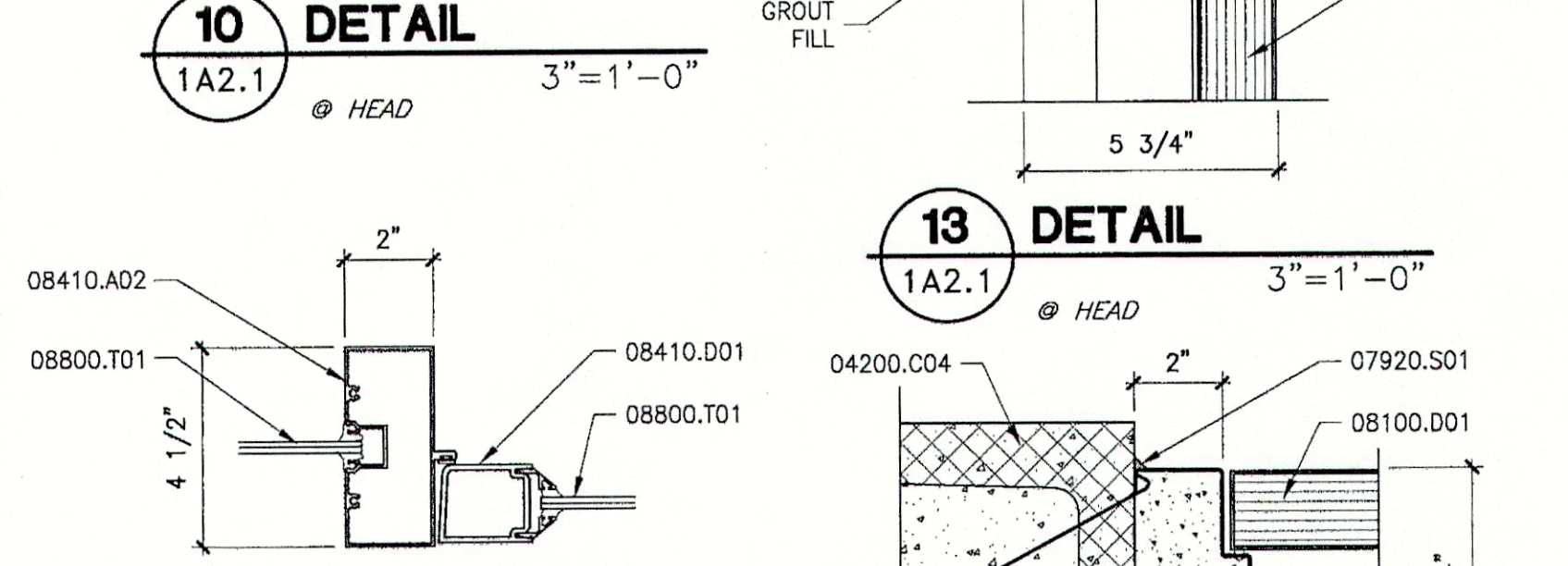
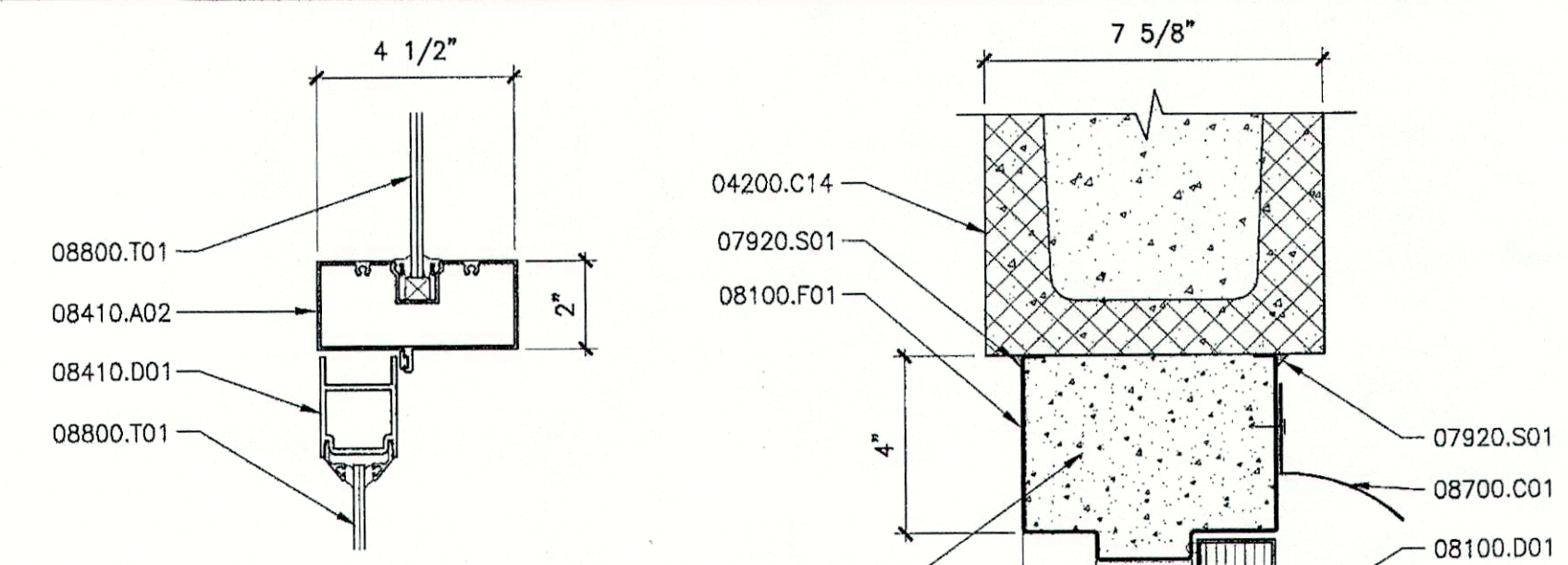
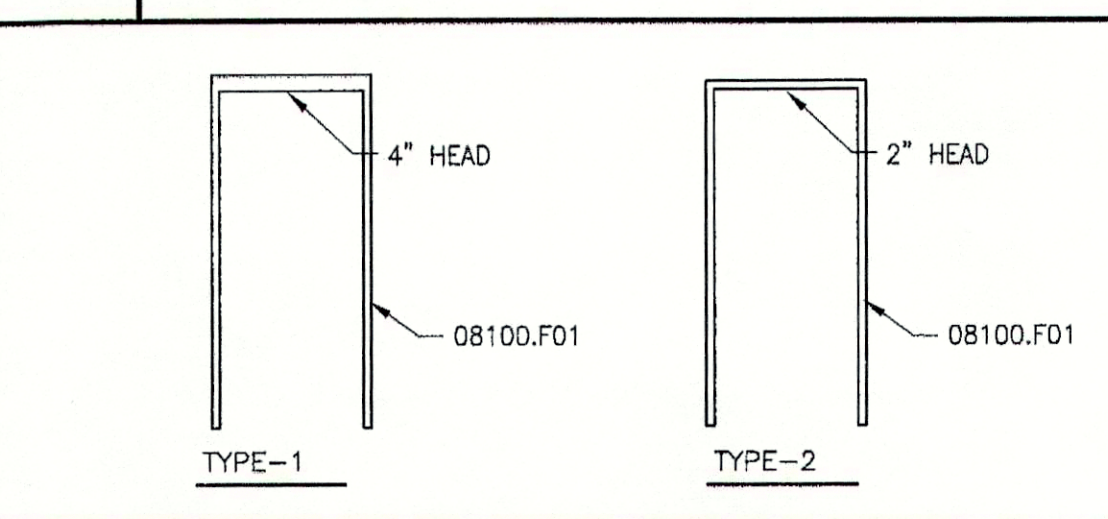
# 3 DOOR NOTES

- DOOR TYPES, SEE ELEVATION DRAWINGS 5/A2.1
- DOOR CONSTRUCTION:  
SC = SOLID CORE HM = HOLLOW METAL SR = STILE AND RAIL (RAISED PANEL OR GLASS)  
HC = HOLLOW CORE AL = ALUMINUM ANODIZED
- FACING & FINISH  
PL = PLASTIC LAMINATE FF = FACTORY FINISH  
S = STAINED P = PAINTED AA = ALUMINUM ANODIZED
- GLASS:  
CP = CLEAR PLATE CW = CLEAR WIRE, 1/4" LG = LAMINATED SAFETY GLASS, 1/4"  
SG = SHEET GLASS TP = TEMPERED PLATE, 1/4" LIG = LAMINATED/INSULATED GLASS, 1"
- 20, 45, 60, 90, 120, ETC., INDICATES MINUTES OF FIRE RATING FOR BOTH DOOR AND FRAME
- FRAME MATERIAL & FINISH:  
WM = WOOD STAINED WMF = HOLLOW METAL PRE-FINISHED  
WP = WOOD PAINTED AA = ALUMINUM ANODIZED

# 5 DOOR TYPES



# 6 FRAME TYPES



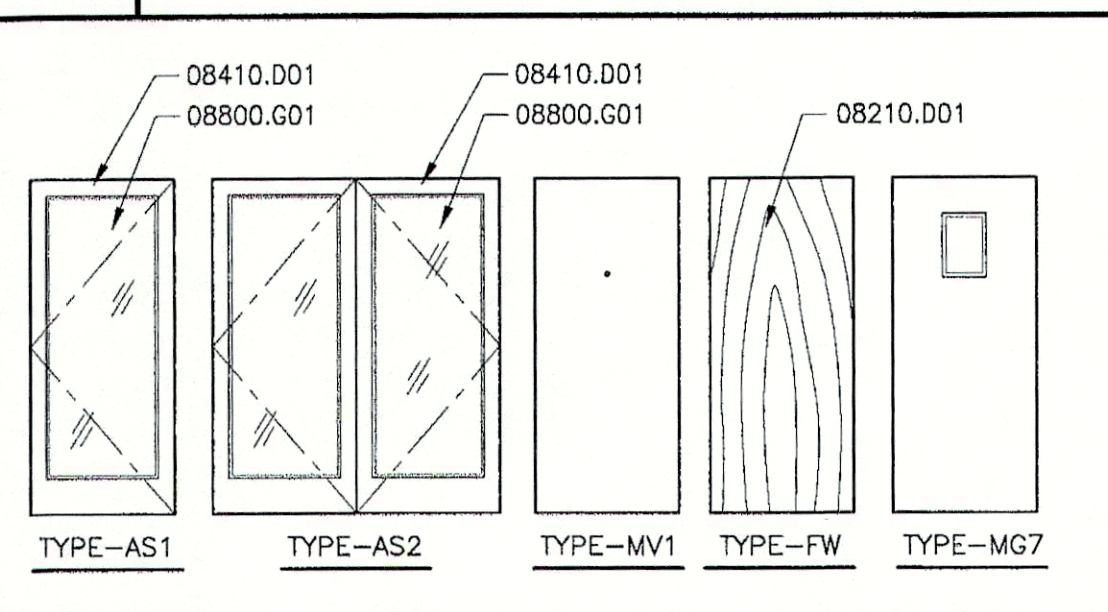
# 2 DOOR REMARKS

- DOOR IS PART OF STOREFRONT SYSTEM, SEE STOREFRONT SCHEDULE AND DETAILS.
- CASING OPENING FINISH SHOWN TO INDICATE FINISH BY TENANT. PAINTING OF DOOR IS NOT IN CONTRACT.
- VIEWER NOT PROVIDED FOR THIS DOOR.
- INSTALL CLOSER ON RECEIVING ROOM SIDE OF DOOR.
- WALL HAS EXTRA LAYER OF O.S.B., ADJUST FRAME WIDTH ACCORDINGLY.
- UNDER CUT DOOR 1"
- STOCKROOM DOOR WITH ONE-WAY VIEWING WINDOW. PASSAGE SET - SCHLAGE S100-LEV (LEVER HANDLES) WITH SATIN CHROME FINISH NO. 628. WALL BUMPER TO BE IVES 410 (810). FINISH FINISH TO BE SATIN CHROME. DOOR AND HARDWARE SUPPLIED AND INSTALLED BY LANDLORD CONTRACTOR. 12" X 12" ONE-WAY VIEWING WINDOW CENTERED IN DOOR AT 60" AFF.
- STOCKROOM DOOR: BI-DIRECTIONAL DOOR W/ AN AIR SEAL. MANUFACTURED BY COP MODEL #990R W/ 1/4" X 14" X 16" ONE WAY VIEWING WINDOW, 18" SCUFF PLATE AND PERIMETER GASKET OR CARLSON MODEL #T8 W/ 1/4" X 12" X 20" ONE WAY VIEWING WINDOW. 18" SS SCUFF PLATE AND PERIMETER GASKET. STOCKROOM DOOR TO BE BEIGE ABS CLAD. TO INCLUDE HEADER STOP AND FULL HANDLE. DOOR AND HARDWARE SUPPLIED AND INSTALLED BY LANDORD CONTRACTOR.
- REAR EXIT DOOR. UNFINISHED DOOR AND FRAME SUPPLIED, INSTALLED, AND FINISHED BY LANDLORD'S CONTRACTOR. DOOR AND FRAME TO BE (1) HOUR FIRE RATED, "B" LABEL TO COMPLY WITH LOCAL AND STATE CODES. HINGES - STANLEY #FB179 SECURITY STUD HINGE (OR EQUAL). STAINLESS STEEL FINISH, 1 1/2" PAIR PER DOOR. LANDLORD'S CONTRACTOR TO SUPPLY AND INSTALL THESE ITEMS: (2) HEAVY DUTY INDUSTRIAL SQUARE SLIDE BOLTS, 1700 SERIES, #1708TB, MANUFACTURED BY GLYNN-JOHNSON (OR EQUAL); 3" X 11" TAMPER-PROOF LATCH COVER, MANUFACTURED BY LATCH-GUARD INC.; FULL DOOR WIDTH SEAL/SWEEP, STANLEY #5070 - US28 MOUNTED ON EXTERIOR SIDE AT BOTTOM TO PREVENT RODENT OR WATER PENETRATION; PERIMETER OF DOOR IS TO RECEIVE A SMOKE GASKET; (IF EXISTING DOOR MUST HAVE FULL WEATHER-STRIPPING, THRESHOLD AND DOOR SWEEP IN GOOD WORKING CONDITION) PEEP HOLE CENTERED IN DOOR AT 54" A.F.F. AND CLOSER WITH STAINLESS STEEL FINISH #R9120 PARALLEL ARM CLOSER MANUFACTURED BY RUSSEVIN CO. MOUNTED ON STORE SIDE. STORE SIGN LABEL ON OUTSIDE FACE OF DOOR CENTERED AT 66" A.F.F. SIGN IS PROVIDED BY OWNER AND INSTALLED BY LANDLORD'S CONTRACTOR. LANDLORD'S CONTRACTOR TO INSTALL SARGENT & GREENLEAF, INC. MODEL "ARM-A-DOOR" A101-SERIES ALARMED AUTOMATIC RELOCK PANIC BAR WITH SATIN CHROME FINISH, CENTERED AT 45" A.F.F. BY LANDLORD.

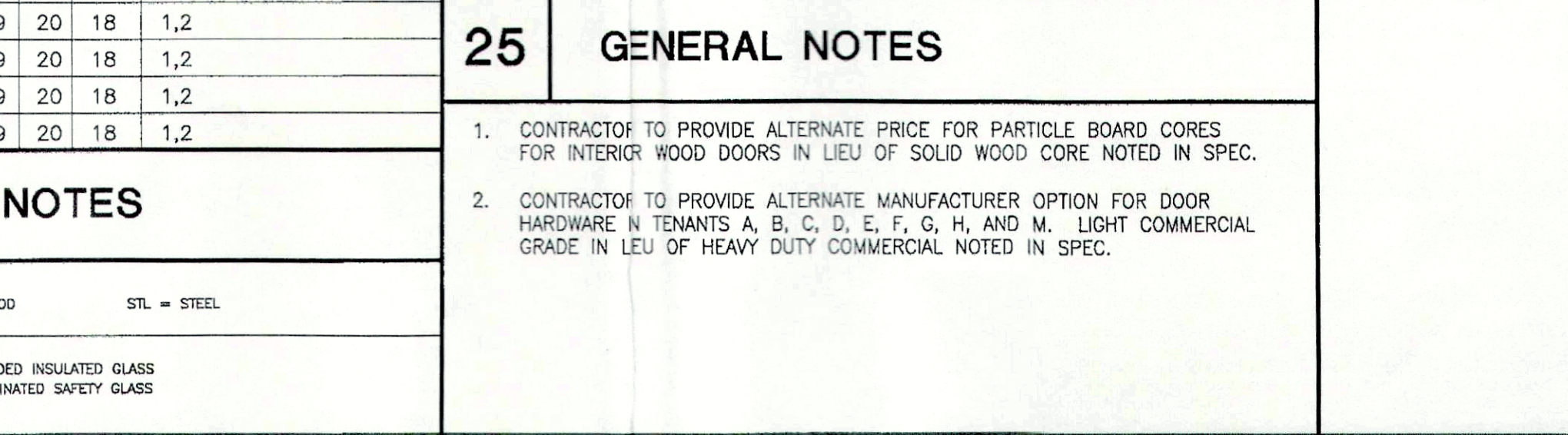
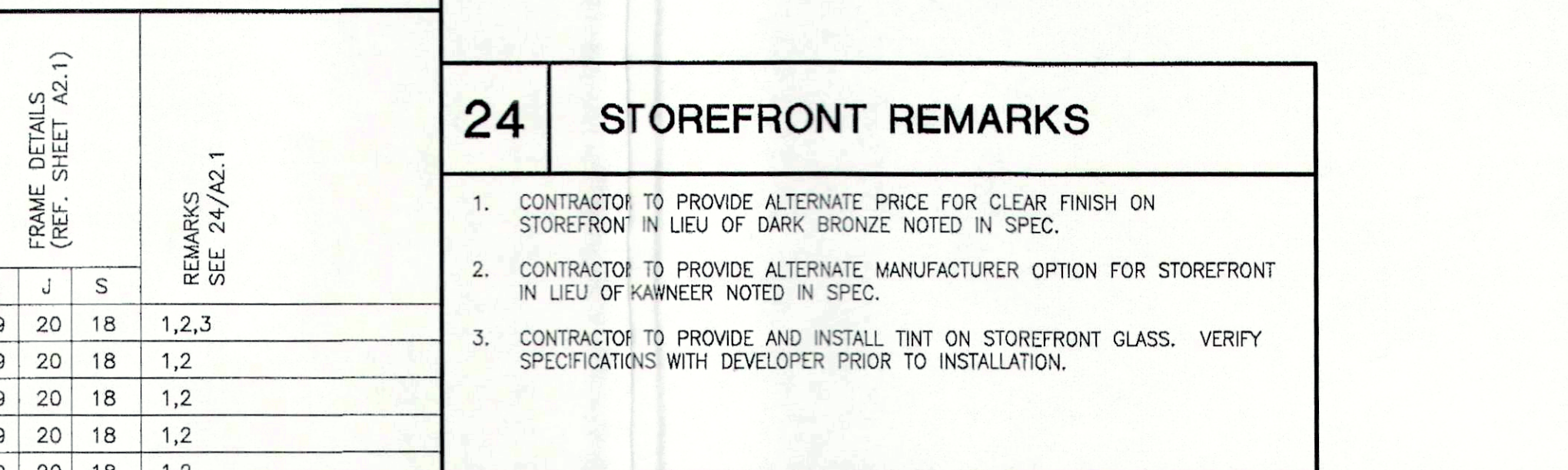
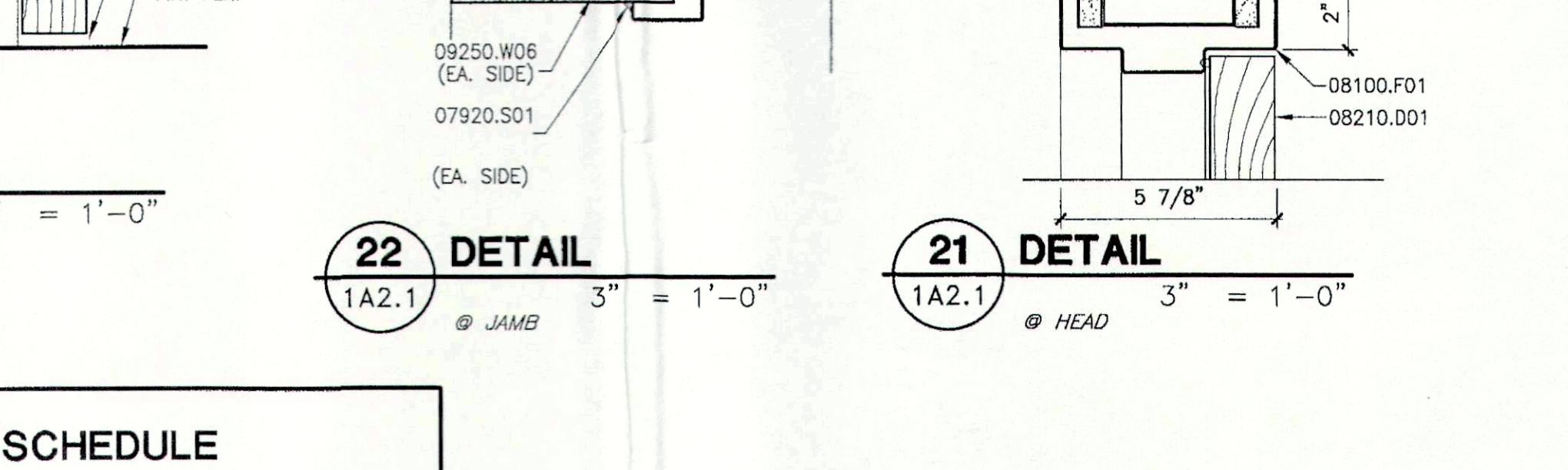
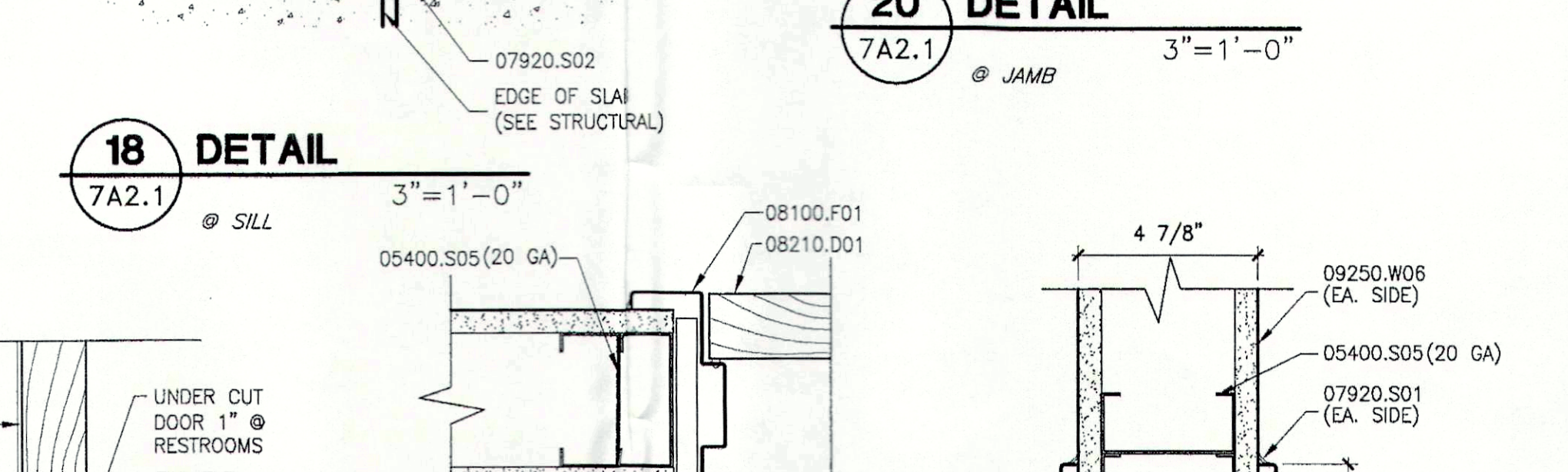
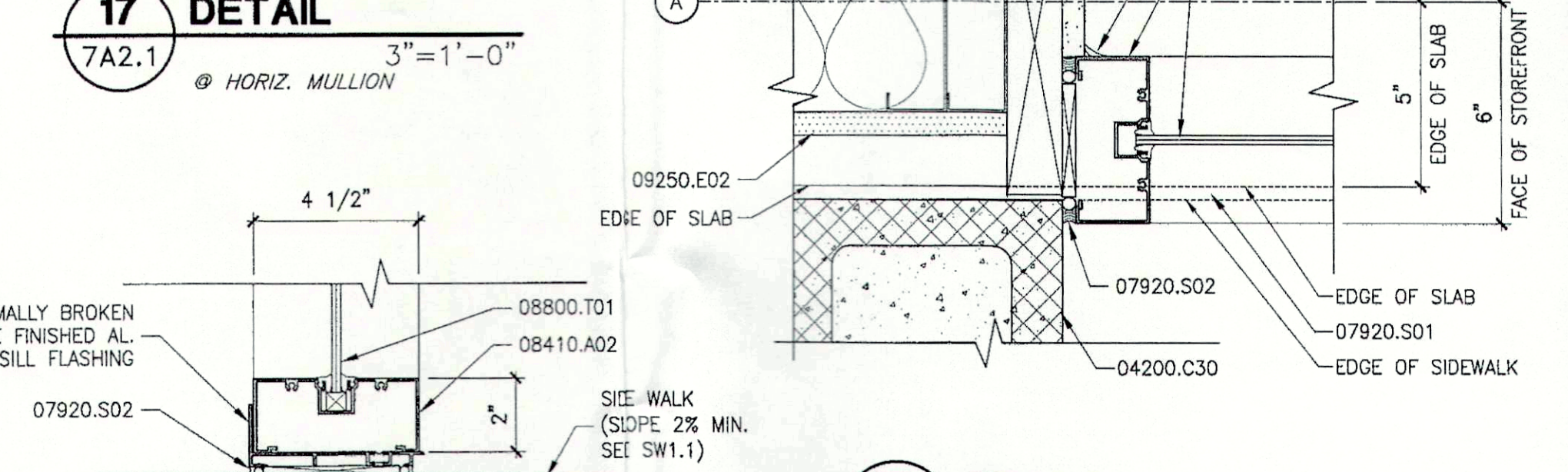
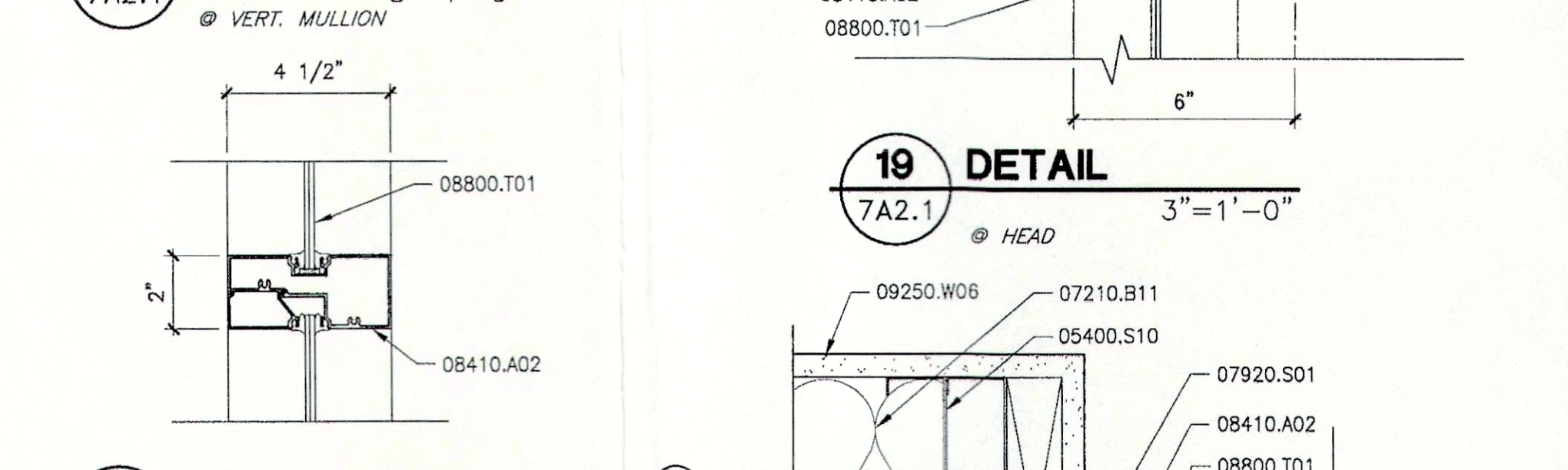
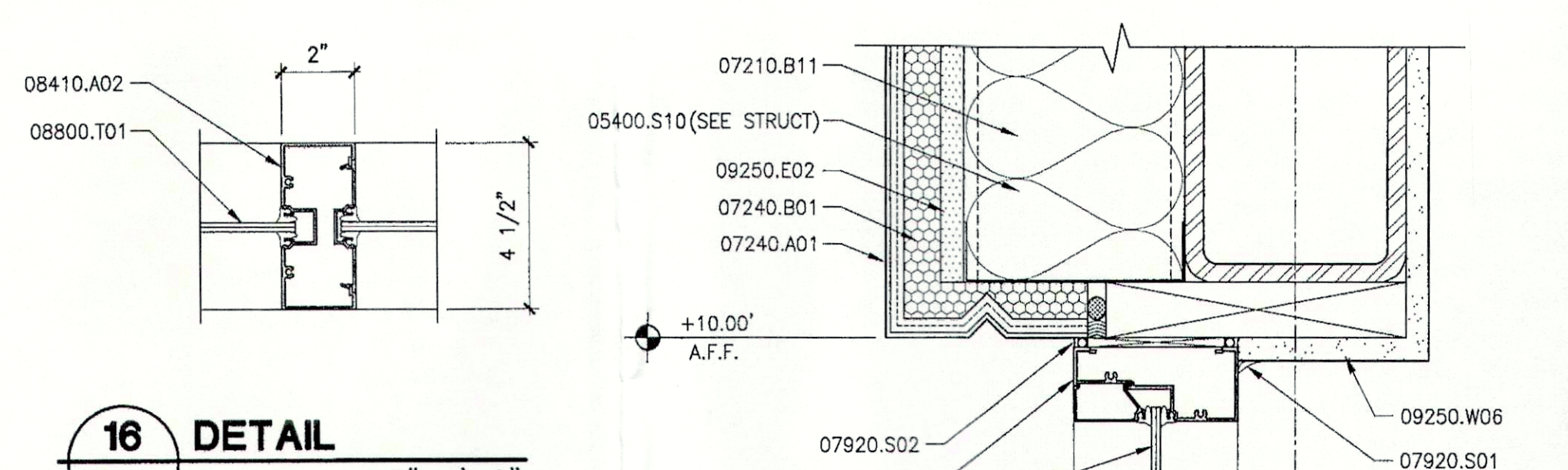
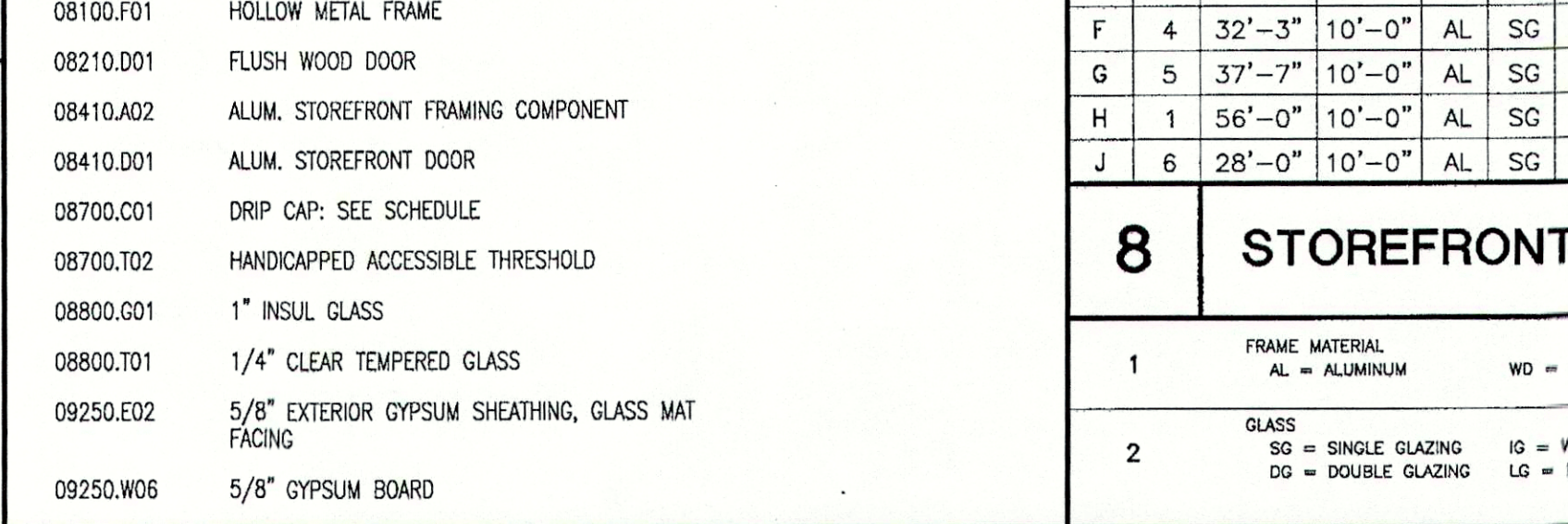
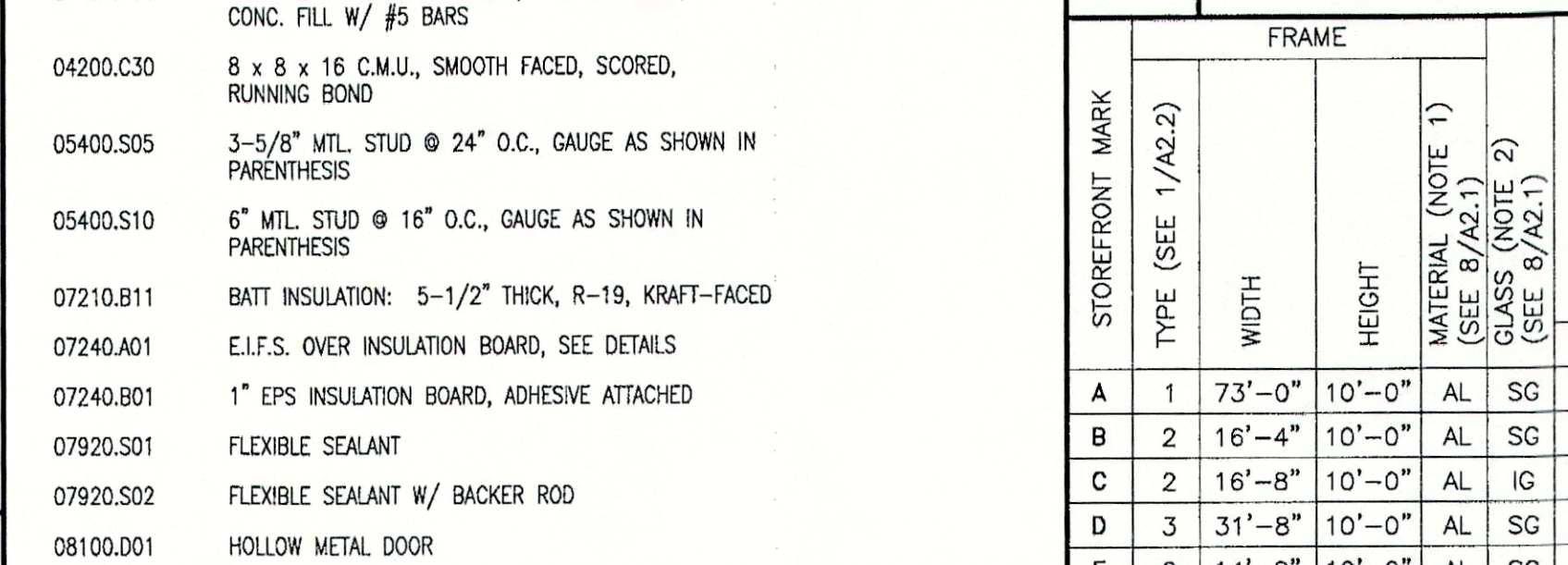
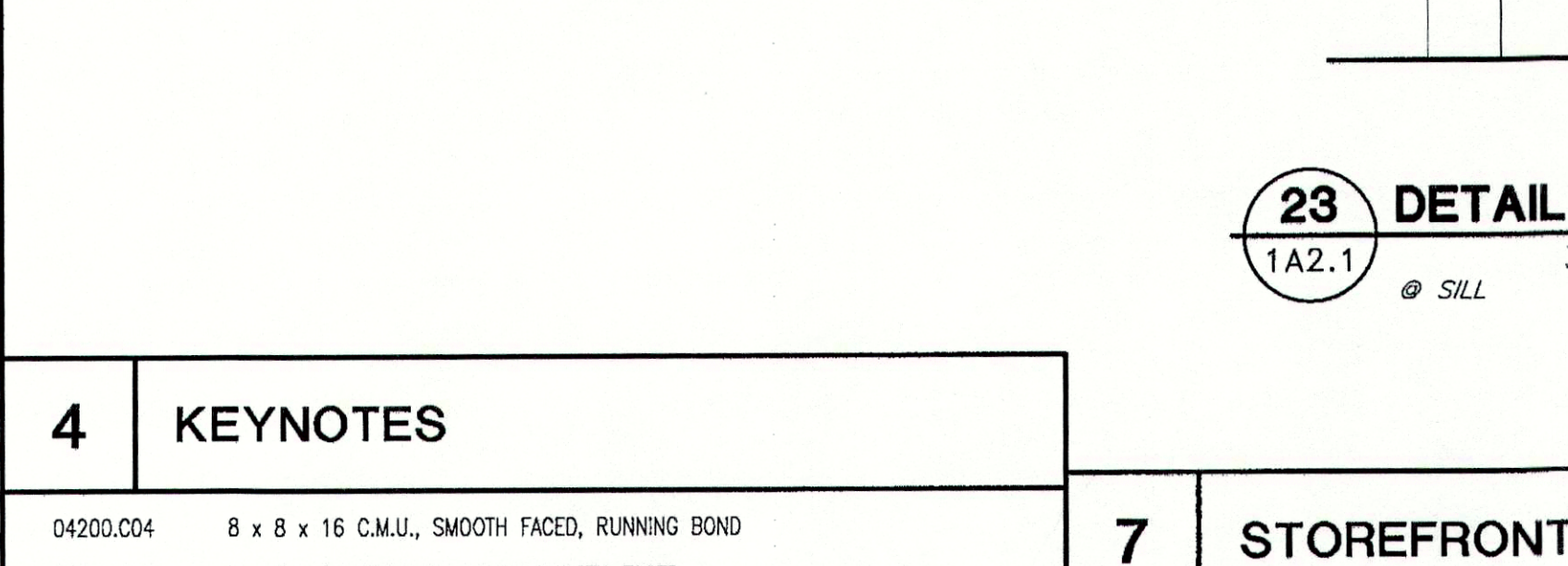
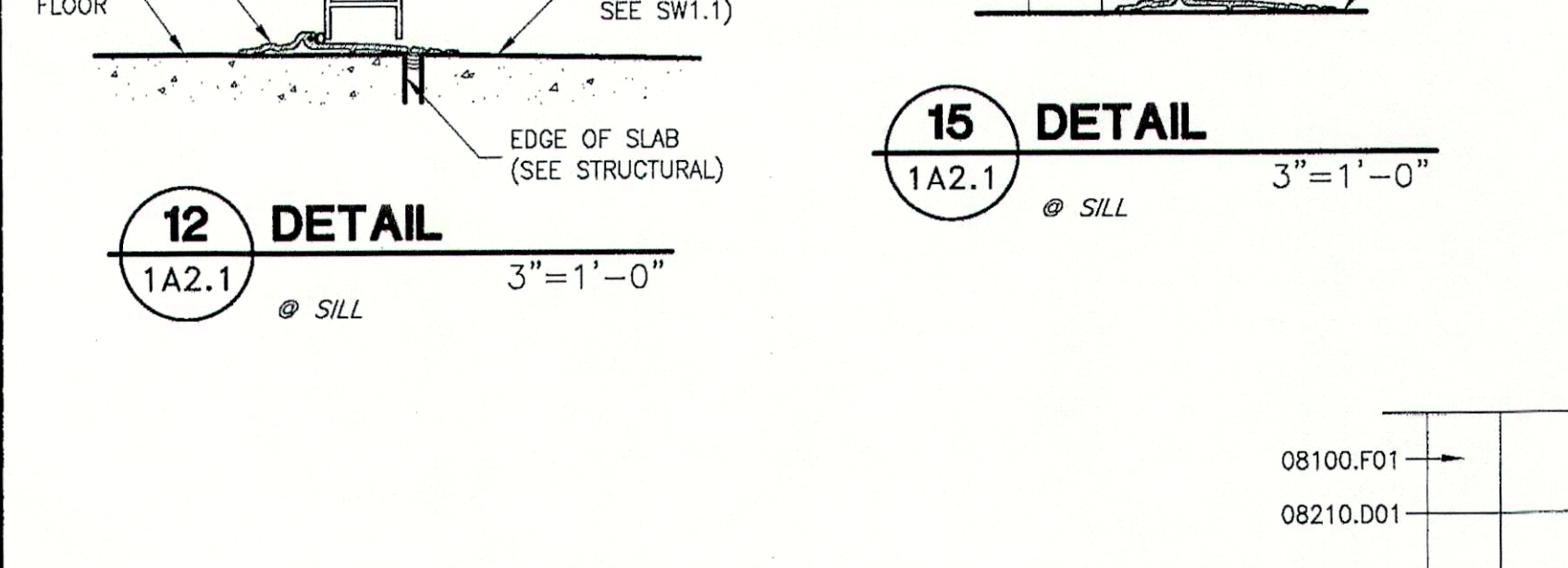
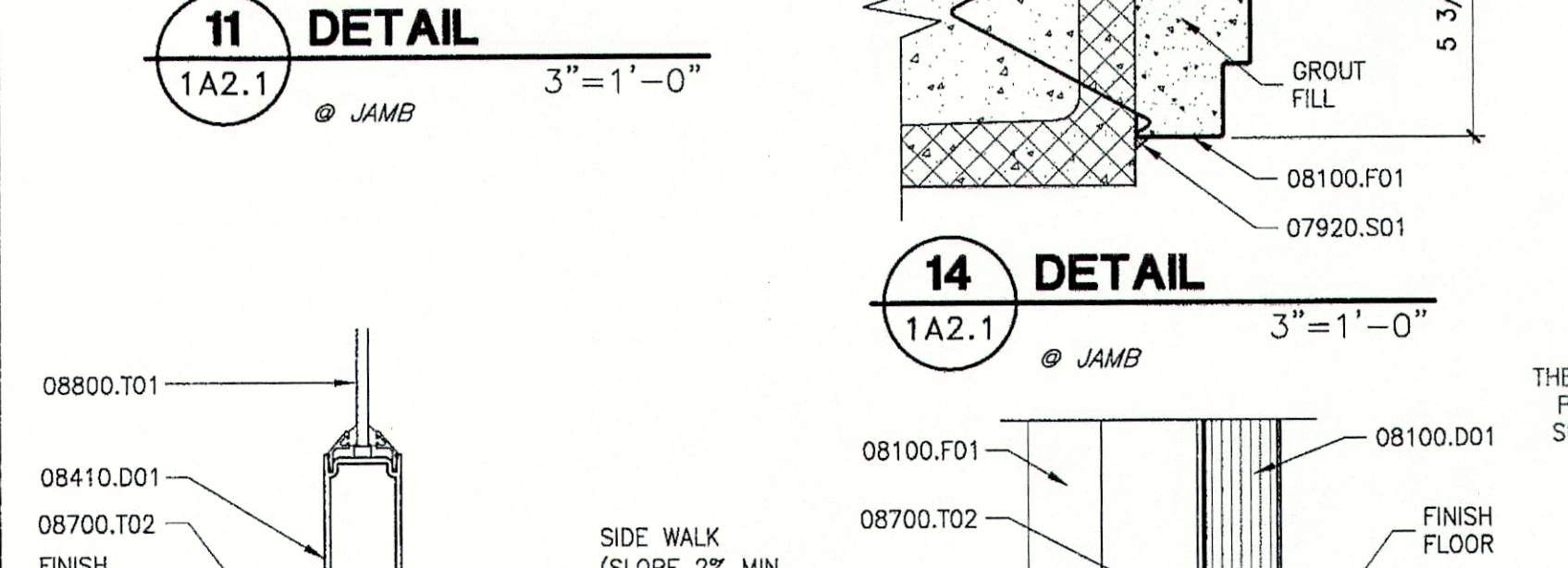
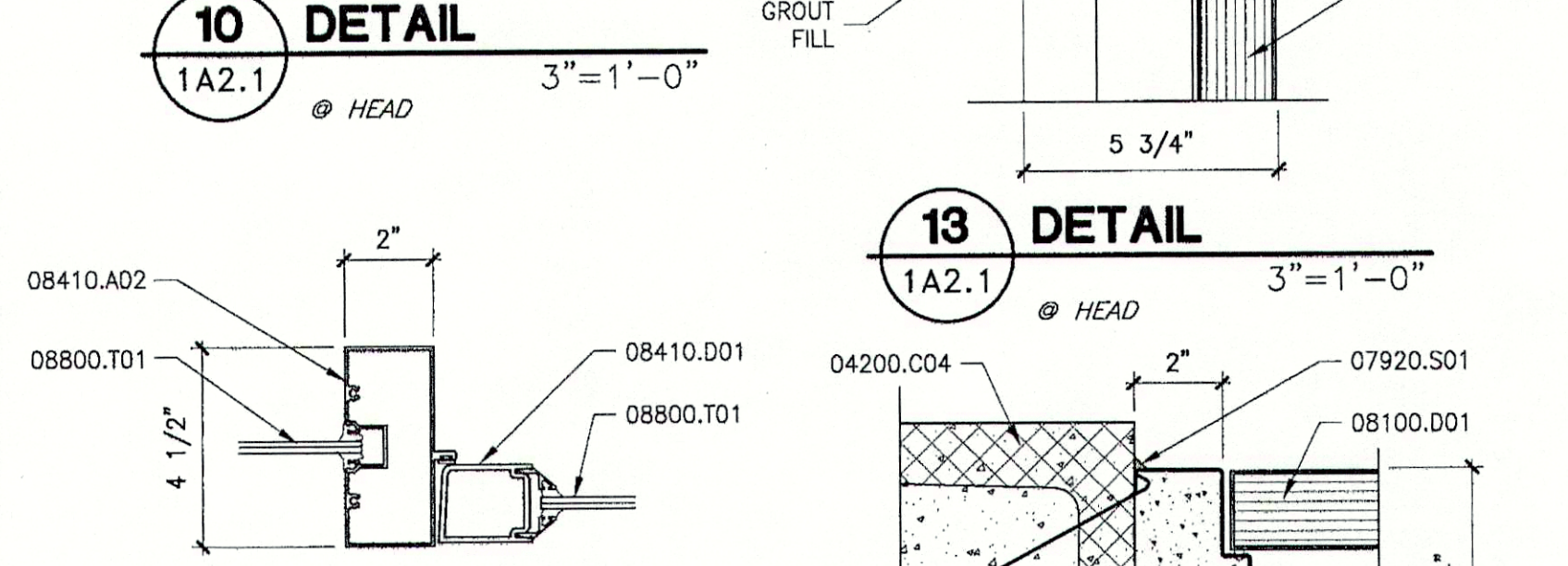
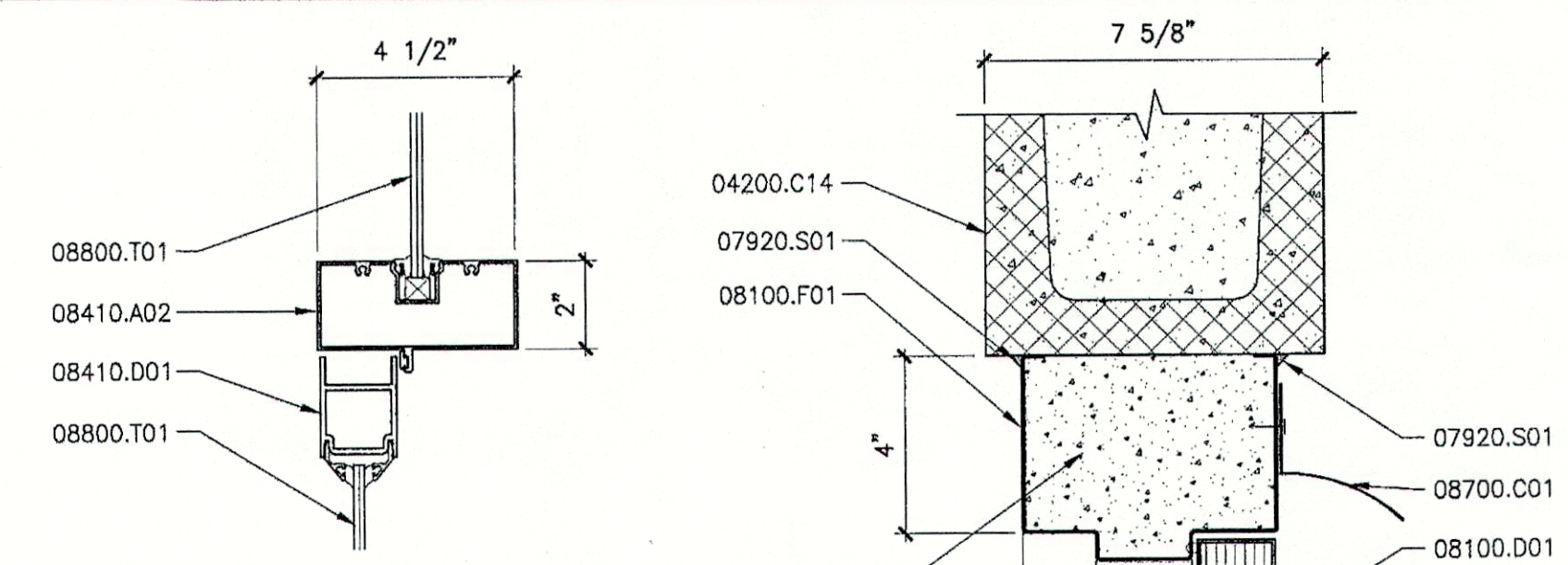
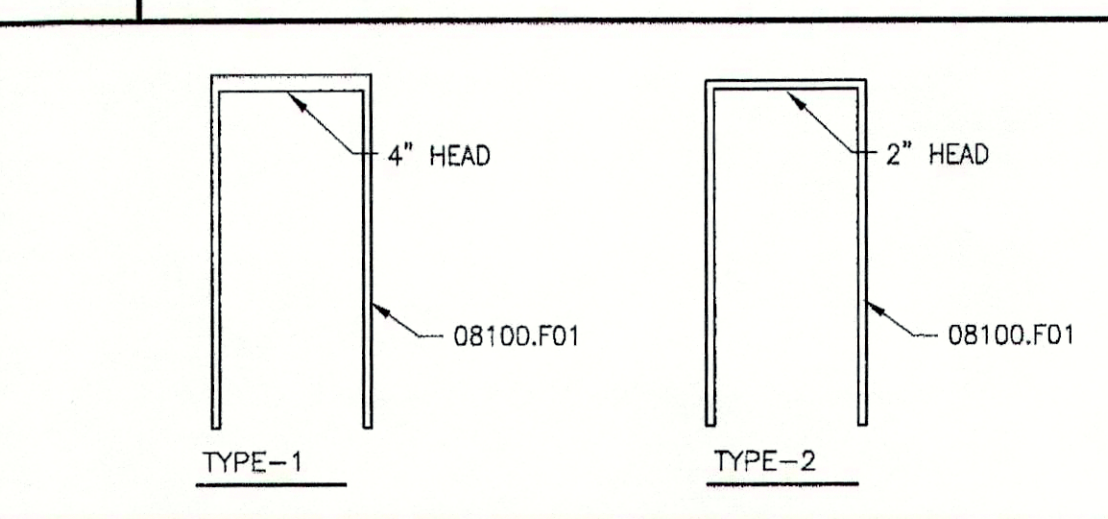
# 3 DOOR NOTES

- DOOR TYPES, SEE ELEVATION DRAWINGS 5/A2.1
- DOOR CONSTRUCTION:  
SC = SOLID CORE HM = HOLLOW METAL SR = STILE AND RAIL (RAISED PANEL OR GLASS)  
HC = HOLLOW CORE AL = ALUMINUM ANODIZED
- FACING & FINISH  
PL = PLASTIC LAMINATE FF = FACTORY FINISH  
S = STAINED P = PAINTED AA = ALUMINUM ANODIZED
- GLASS:  
CP = CLEAR PLATE CW = CLEAR WIRE, 1/4" LG = LAMINATED SAFETY GLASS, 1/4"  
SG = SHEET GLASS TP = TEMPERED PLATE, 1/4" LIG = LAMINATED/INSULATED GLASS, 1"
- 20, 45, 60, 90, 120, ETC., INDICATES MINUTES OF FIRE RATING FOR BOTH DOOR AND FRAME
- FRAME MATERIAL & FINISH:  
WM = WOOD STAINED WMF = HOLLOW METAL PRE-FINISHED  
WP = WOOD PAINTED AA = ALUMINUM ANODIZED

# 5 DOOR TYPES



# 6 FRAME TYPES



# 2 DOOR REMARKS

- DOOR IS PART OF STOREFRONT SYSTEM, SEE STOREFRONT SCHEDULE AND DETAILS.
- CASING OPENING FINISH SHOWN TO INDICATE FINISH BY TENANT. PAINTING OF DOOR IS NOT IN CONTRACT.
- VIEWER NOT PROVIDED FOR THIS DOOR.
- INSTALL CLOSER ON RECEIVING ROOM SIDE OF DOOR.
- WALL HAS EXTRA LAYER OF O.S.B., ADJUST FRAME WIDTH ACCORDINGLY.
- UNDER CUT DOOR 1"
- STOCKROOM DOOR WITH ONE-WAY VIEWING WINDOW. PASSAGE SET - SCHLAGE S100-LEV (LEVER HANDLES) WITH SATIN CHROME FINISH NO. 628. WALL BUMPER TO BE IVES 410 (810). FINISH FINISH TO BE SATIN CHROME. DOOR AND HARDWARE SUPPLIED AND INSTALLED BY LANDLORD CONTRACTOR. 12" X 12" ONE-WAY VIEWING WINDOW CENTERED IN DOOR AT 60" AFF.
- STOCKROOM DOOR: BI-DIRECTIONAL DOOR W/ AN AIR SEAL. MANUFACTURED BY COP MODEL #990R W/ 1/4" X 14" X 16" ONE WAY VIEWING WINDOW, 18" SCUFF PLATE AND PERIMETER GASKET OR CARLSON MODEL #T8 W/ 1/4" X 12" X 20" ONE WAY VIEWING WINDOW. 18" SS SCUFF PLATE AND PERIMETER GASKET. STOCKROOM DOOR TO BE BEIGE ABS CLAD. TO INCLUDE HEADER STOP AND FULL HANDLE. DOOR AND HARDWARE SUPPLIED AND INSTALLED BY LANDORD CONTRACTOR.
- REAR EXIT DOOR. UNFINISHED DOOR AND FRAME SUPPLIED, INSTALLED, AND FINISHED BY LANDLORD'S CONTRACTOR. DOOR AND FRAME TO BE (1) HOUR FIRE RATED, "B" LABEL TO COMPLY WITH LOCAL AND STATE CODES. HINGES - STANLEY #FB179 SECURITY STUD HINGE (OR EQUAL). STAINLESS STEEL FINISH, 1 1/2" PAIR PER DOOR. LANDLORD'S CONTRACTOR TO SUPPLY AND INSTALL THESE ITEMS: (2) HEAVY DUTY INDUSTRIAL SQUARE SLIDE BOLTS, 1700 SERIES, #1708TB, MANUFACTURED BY GLYNN-JOHNSON (OR EQUAL); 3" X 11" TAMPER-PROOF LATCH COVER, MANUFACTURED BY LATCH-GUARD INC.; FULL DOOR WIDTH SEAL/SWEEP, STANLEY #5070 - US28 MOUNTED ON EXTERIOR SIDE AT BOTTOM TO PREVENT RODENT OR WATER PENETRATION; PERIMETER OF DOOR IS TO RECEIVE A SMOKE GASKET; (IF EXISTING DOOR MUST HAVE FULL WEATHER-STRIPPING, THRESHOLD AND DOOR SWEEP IN GOOD WORKING CONDITION) PEEP HOLE CENTERED IN DOOR AT 54" A.F.F. AND CLOSER WITH STAINLESS STEEL FINISH #R9120 PARALLEL ARM CLOSER MANUFACTURED BY