

1 DOOR SCHEDULE

DOOR MARK	OPENING SIZE	THICKNESS	(FOR NOTES SEE 3/A2.1)						FRAME DETAILS (REF. SHEET A2.1)			REMARKS
			DOOR TYPE (NOTE 1)	CONSTRUCTION (NOTE 2)	FINISH (NOTE 3)	GLASS (NOTE 4)	RATING (NOTE 5)	FRAME TYPE (SEE 6/A2.1)	H	J	S	
101	3'-0"x7'-0"	1-3/4"	AS2	AL	AA	TP	AA	10	11	12	1	
101A	4'-0"x7'-0"	1-3/4"	MV1	HM	P	-	HMP	1	13	14	15	
101B	3'-0"x7'-0"	1-3/4"	MV1	HM	P	-	HMP	1	13	14	15	
101C	3'-0"x7'-0"	1-3/4"	AS2	AL	AA	TP	AA	10	11	12	1	
201	3'-0"x7'-0"	1-3/4"	AS1	AL	AA	TP	AA	10	11	12	1	
201A	3'-0"x7'-0"	1-3/4"	MV1	HM	P	-	HMP	1	13	14	15	
202	3'-0"x7'-0"	1-3/4"	FW	SC	P	-	HMP	2	21	22	23	3, 7
301	3'-0"x7'-0"	1-3/4"	AS1	AL	AA	TP	AA	10	11	12	1	
301A	3'-0"x7'-0"	1-3/4"	MV1	HM	P	-	HMP	1	13	14	15	
302	3'-0"x7'-0"	1-3/4"	FW	SC	P	-	HMP	2	21	22	23	3, 7
401	3'-0"x7'-0"	1-3/4"	AS1	AL	AA	TP	AA	10	11	12	1	
401A	3'-0"x7'-0"	1-3/4"	MV1	HM	P	-	HMP	1	13	14	15	
402	3'-0"x7'-0"	1-3/4"	FW	SC	P	-	HMP	2	21	22	23	3, 7
403	3'-0"x7'-0"	1-3/4"	FW	SC	P	-	HMP	2	21	22	23	3, 7
404	3'-0"x7'-0"	1-3/4"	FW	SC	P	-	HMP	2	21	22	23	3, 7
501	3'-0"x7'-0"	1-3/4"	AS1	AL	AA	TP	AA	10	11	12	1	
501A	3'-0"x7'-0"	1-3/4"	MV1	HM	P	-	HMP	1	13	14	15	
502	3'-0"x7'-0"	1-3/4"	FW	SC	P	-	HMP	2	21	22	23	3, 7
601	3'-0"x7'-0"	1-3/4"	AS1	AL	AA	TP	AA	10	11	12	1	
601A	3'-0"x7'-0"	1-3/4"	MV1	HM	P	-	HMP	1	13	14	15	
601B	3'-0"x7'-0"	1-3/4"	MV1	HM	P	-	HMP	1	13	14	15	
602	3'-0"x7'-0"	1-3/4"	FW	SC	P	-	HMP	2	21	22	23	3, 7
603	3'-0"x7'-0"	1-3/4"	FW	SC	P	-	HMP	2	21	22	23	3, 7
701	3'-0"x7'-0"	1-3/4"	AS1	AL	AA	TP	AA	10	11	12	1	
701A	3'-0"x7'-0"	1-3/4"	MV1	HM	P	-	HMP	1	13	14	15	
702	3'-0"x7'-0"	1-3/4"	FW	SC	P	-	HMP	2	21	22	23	3, 7
801	3'-0"x7'-0"	1-3/4"	AS1	AL	AA	TP	AA	10	11	12	1	
801A	3'-0"x7'-0"	1-3/4"	MV1	HM	P	-	HMP	1	13	14	15	
801B	3'-0"x7'-0"	1-3/4"	MV1	HM	P	-	HMP	1	13	14	15	
802	3'-0"x7'-0"	1-3/4"	FW	SC	P	-	HMP	2	21	22	23	3, 7
803	3'-0"x7'-0"	1-3/4"	FW	SC	P	-	HMP	2	21	22	23	3, 7
901	6'-0"x7'-0"	1-3/4"	AS2	AL	AA	TP	AA	10	11	12	1	
902	3'-0"x7'-0"	1-3/4"	FW	SC	P	-	HMP	2	21	22	23	3, 5
902A	3'-0"x7'-0"	1-3/4"	MV1	HM	P	-	HMP	1	13	14	15	
903	3'-0"x7'-0"	1-3/4"	FW	SC	P	-	HMP	2	21	22	23	3, 7
904	3'-0"x7'-0"	1-3/4"	FW	SC	P	-	HMP	2	21	22	23	3, 6, 7
905	3'-0"x7'-0"	1-3/4"	MV1	HM	P	-	HMP	1	13	14	15	
906	3'-0"x7'-0"	1-3/4"	FW	SC	P	-	HMP	2	21	22	23	3
1001	6'-0"x7'-0"	1-3/4"	AS2	AL	AA	TP	AA	10	11	12	1	
1002	3'-0"x7'-0"	1-3/4"	FW	SC	P	-	HMP	2	21	22	23	9
1002A	3'-0"x7'-0"	1-3/4"	MV1	HM	P	-	HMP	1	13	14	15	10
1003	3'-0"x7'-0"	1-3/4"	FW	SC	P	-	HMP	2	21	22	23	3, 7
1004	3'-0"x7'-0"	1-3/4"	FW	SC	P	-	HMP	2	21	22	23	3, 7
1005	3'-0"x7'-0"	1-3/4"	MV1	HM	P	-	HMP	1	13	14	15	8
1101	6'-0"x7'-0"	1-3/4"	AS2	AL	AA	TP	AA	10	11	12	1	
1102	3'-0"x7'-0"	1-3/4"	FW	SC	P	-	HMP	2	21	22	23	3, 5
1102A	3'-0"x7'-0"	1-3/4"	MV1	HM	P	-	HMP	1	13	14	15	
1103	3'-0"x7'-0"	1-3/4"	FW	SC	P	-	HMP	2	21	22	23	3, 7
1104	3'-0"x7'-0"	1-3/4"	FW	SC	P	-	HMP	2	21	22	23	3, 7
1105	3'-0"x7'-0"	1-3/4"	MV1	HM	P	-	HMP	1	13	14	15	
1201	3'-0"x7'-0"	1-3/4"	AS1	AL	AA	TP	AA	10	11	12	1	
1201A	3'-0"x7'-0"	1-3/4"	MV1	HM	P	-	HMP	1	13	14	15	
1301	3'-0"x7'-0"	1-3/4"	MV1	HM	P	-	HMP	1	13	14	15	4

2 DOOR REMARKS

- DOOR IS PART OF STOREFRONT SYSTEM, SEE STOREFRONT SCHEDULE AND DETAILS.
- CASED OPENING
- DOOR FINISH SHOWN TO INDICATE FINISH BY TENANT. PAINTING OF DOOR IS NOT IN CONTRACT.
- VIEWER NOT PROVIDED FOR THIS DOOR.
- INSTALL CLOSER ON RECEIVING ROOM SIDE OF DOOR.
- WALL HAS EXTRA LAYER OF O.S.B., ADJUST FRAME WIDTH ACCORDINGLY.
- UNDER CUT DOOR
- STOCKROOM DOOR WITH ONE-WAY VIEWING WINDOW. PASSAGE SET - SCHLAGE S100-LEV (LEVER HANDLES) WITH SATIN CHROME FINISH NO. 626. WALL BUMPER TO BE IVES 410 (810). FINISH FINISH TO BE SATIN CHROME. DOOR AND HARDWARE SUPPLIED AND INSTALLED BY LANDLORD CONTRACTOR. 12" X 12" ONE-WAY VIEWING WINDOW CENTERED IN DOOR AT 60" AFF.
- STOCKROOM DOOR: BI-DIRECTIONAL DOOR W/ AN AIR SEAL. MANUFACTURED BY COP MODEL #990R W/ 1/4" X 14" X 16" ONE WAY VIEWING WINDOW, 18" SCUFF PLATE AND PERIMETER GASKET OR CARLSON MODEL #18 W/ 1/4" X 12" X 20" ONE WAY VIEWING WINDOW. 18" SS SCUFF PLATE AND PERIMETER GASKET. STOCKROOM DOOR TO BE BEIGE ABS CLAD. TO INCLUDE HEADER STOP AND PULL HANDLE. DOOR AND HARDWARE SUPPLIED AND INSTALLED BY LANDLORD CONTRACTOR.
- REAR EXIT DOOR. UNFINISHED DOOR AND FRAME SUPPLIED, INSTALLED, AND FINISHED BY LANDLORD'S CONTRACTOR. DOOR AND FRAME TO BE (1) HOUR FIRE RATED, "B" LABEL TO COMPLY WITH LOCAL AND STATE CODES. HINGES - STANLEY #FB179 SECURITY STUD HINGE (OR EQUAL), STAINLESS STEEL FINISH, 1 1/2" PAIR PER DOOR. LANDLORD'S CONTRACTOR TO SUPPLY AND INSTALL THESE ITEMS: (2) HEAVY DUTY INDUSTRIAL SQUARE SLIDE BOLTS, 1700 SERIES, #1708TB, MANUFACTURED BY GLYNN-JOHNSON (OR EQUAL); 3" X 11" TAMPER-PROOF LATCH COVER, MANUFACTURED BY LATCH-GUARD INC.; FULL DOOR WIDTH SEAL/SWEEP, STANLEY #5070 - US28 MOUNTED ON EXTERIOR SIDE AT BOTTOM TO PREVENT RODENT OR WATER PENETRATION; PERIMETER OF DOOR IS TO RECEIVE A SMOKE GASKET; (IF EXISTING-DOOR MUST HAVE FULL WEATHER-STRIPPING, THRESHOLD AND DOOR SWEEP IN GOOD WORKING CONDITION) PEEP HOLE CENTERED IN DOOR AT 54" A.F.F. AND CLOSER WITH STAINLESS STEEL FINISH #R9120 PARALLEL ARM CLOSER MANUFACTURED BY RUSSWIN CO. MOUNTED ON STORE SIDE. STORE SIGN LABEL ON OUTSIDE FACE OF DOOR CENTERED AT 66" A.F.F. SIGN IS PROVIDED BY OWNER AND INSTALLED BY LANDLORD'S CONTRACTOR. LANDLORD'S CONTRACTOR TO INSTALL SARGENT & GREENLEAF, INC. MODEL "ARM-A-DOOR" A101-SERIES ALARMED AUTOMATIC RELOCK PANIC BAR WITH SATIN CHROME FINISH, CENTERED AT 45" A.F.F. BY LANDLORD.

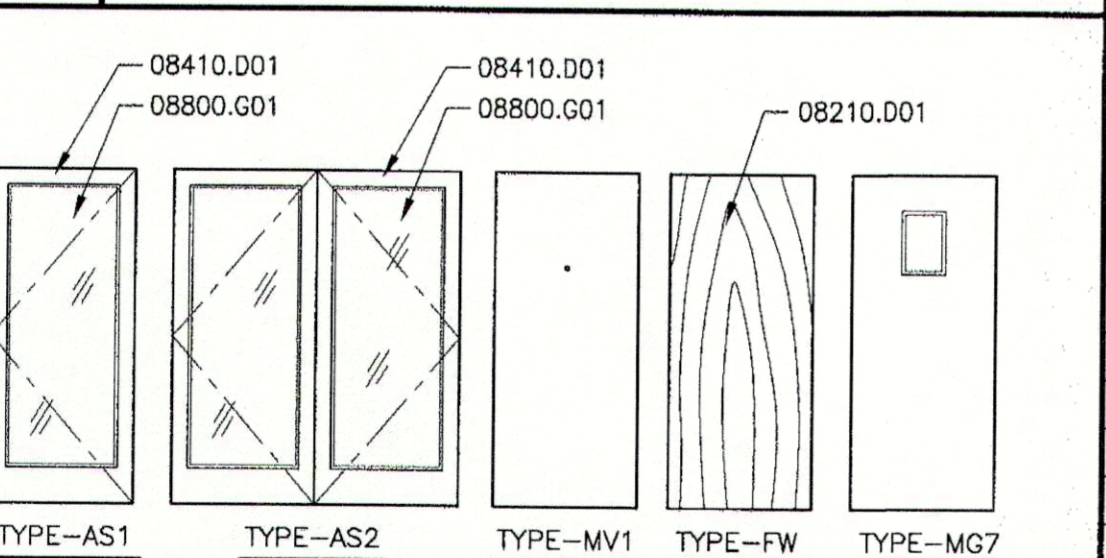
3 DOOR NOTES

- DOOR TYPES, SEE ELEVATION DRAWINGS 5/A2.1
- DOOR CONSTRUCTION:
 - SC = SOLID CORE
 - HC = HOLLOW CORE
 - HM = HOLLOW METAL
 - AL = ALUMINUM ANODIZED
 - SR = STILE AND RAIL (RAISED PANEL OR GLASS)
- FACING & FINISH:
 - S = STAINED
 - P = PAINTED
 - PL = PLASTIC LAMINATE
 - FF = FACTORY FINISH
 - AA = ALUMINUM ANODIZED
- GLASS:
 - CP = CLEAR GLASS
 - SW = CLEAR WIRE, 1/4"
 - LG = LAMINATED SAFETY GLASS, 1/4"
 - SP = SHEET GLASS
 - TP = TEMPERED PLATE, 1/4"
 - LG = LAMINATED/INSULATED GLASS, 1"
- 20, 45, 60, 90, 120, ETC., INDICATES MINUTES OF FIRE RATING FOR BOTH DOOR AND FRAME
- FRAME MATERIAL & FINISH:
 - MS = WOOD STAINED
 - WP = WOOD PAINTED
 - HMP = HOLLOW METAL PAINTED
 - AA = ALUMINUM ANODIZED
 - HMF = HOLLOW METAL PRE-FINISHED

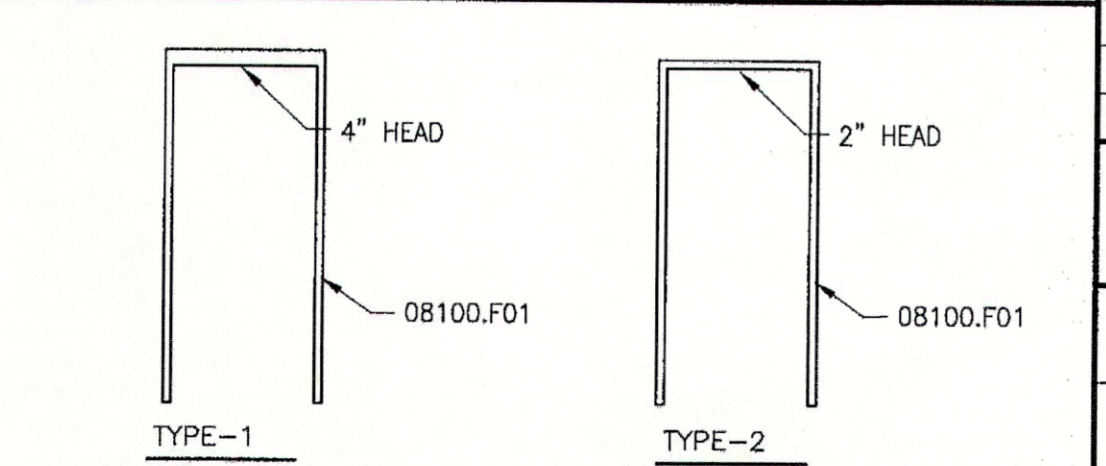
4 KEYNOTES

- 04200.C04 8 x 8 x 16 C.M.U., SMOOTH FACED, RUNNING BOND
- 04200.C14 8 x 8 x 16 C.M.U. U-BLOCK, SMOOTH FACED, CONC. FILL W/ #5 BARS
- 04200.C30 8 x 8 x 16 C.M.U., SMOOTH FACED, SCORED, RUNNING BOND
- 05400.S05 3-5/8" MTL. STUD @ 24" O.C., GAUGE AS SHOWN IN PARENTHESIS
- 05400.S10 6" MTL. STUD @ 16" O.C., GAUGE AS SHOWN IN PARENTHESIS
- 07210.B11 BATT INSULATION: 5-1/2" THICK, R-19, KRAFT-FACED
- 07240.A01 E.I.F.S. OVER INSULATION BOARD, SEE DETAILS
- 07240.B01 1" EPS INSULATION BOARD, ADHESIVE ATTACHED
- 07920.S01 FLEXIBLE SEALANT
- 07920.S02 FLEXIBLE SEALANT W/ BACKER ROD
- 08100.D01 HOLLOW METAL DOOR
- 08100.F01 HOLLOW METAL FRAME
- 08210.D01 FLUSH WOOD DOOR
- 08410.A02 ALUM. STOREFRONT FRAMING COMPONENT
- 08410.D01 ALUM. STOREFRONT DOOR
- 08700.C01 DRIP CAP. SEE SCHEDULE
- 08700.T02 HANDICAPPED ACCESSIBLE THRESHOLD
- 08800.G01 1" INSUL. GLASS
- 08800.T01 1/4" CLEAR TEMPERED GLASS
- 09250.E02 5/8" EXTERIOR GYPSUM SHEATHING, GLASS MAT FACING
- 09250.W06 5/8" GYPSUM BOARD

5 DOOR TYPES



6 FRAME TYPES

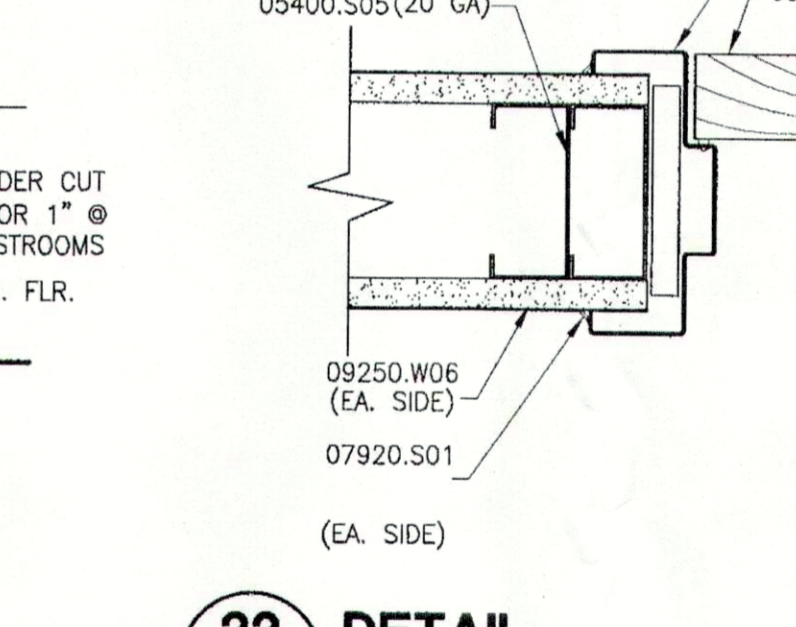
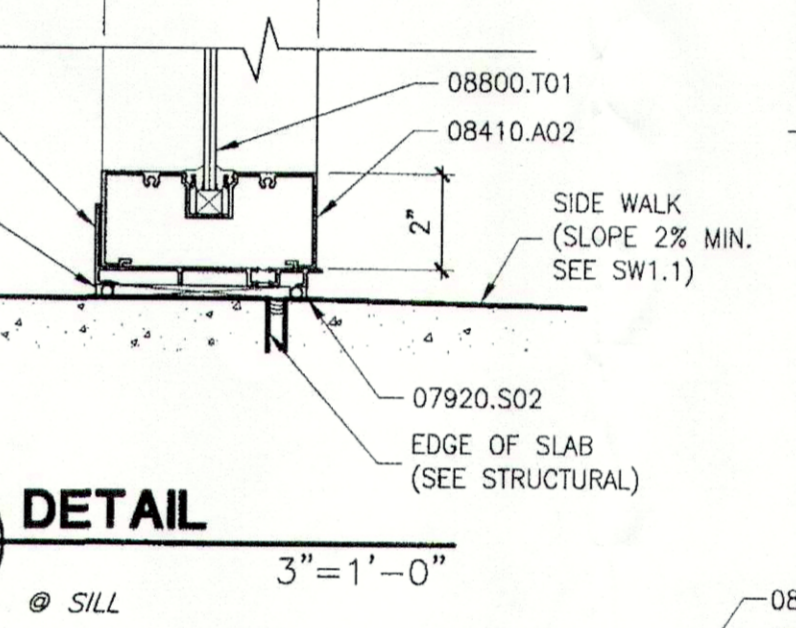
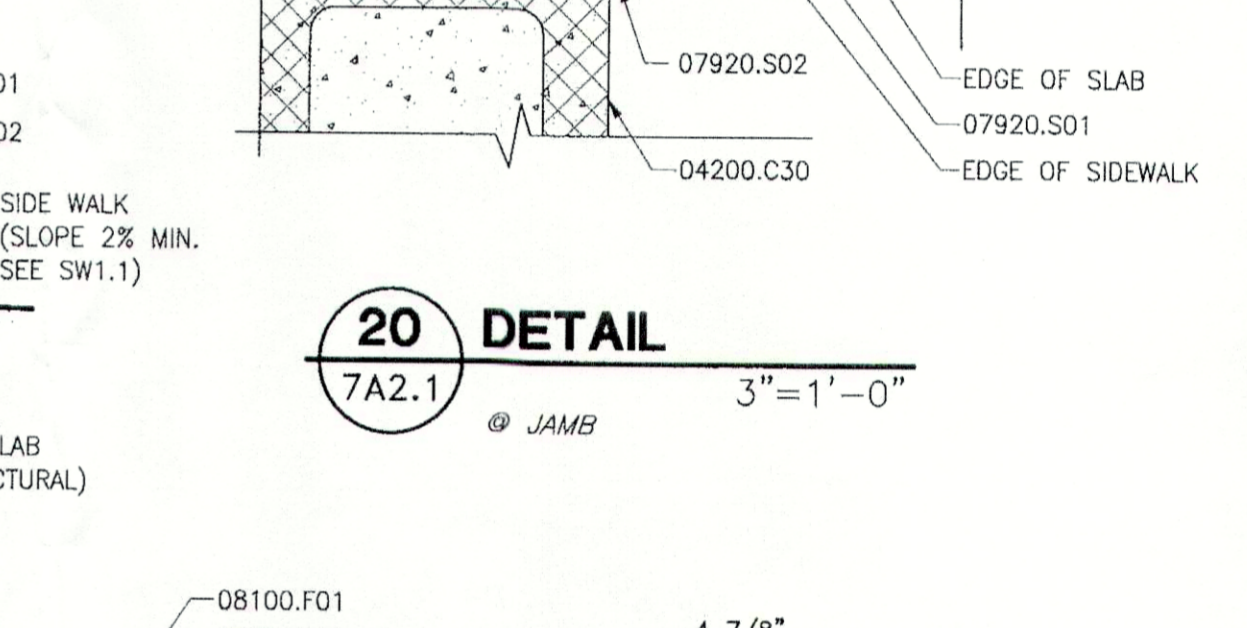
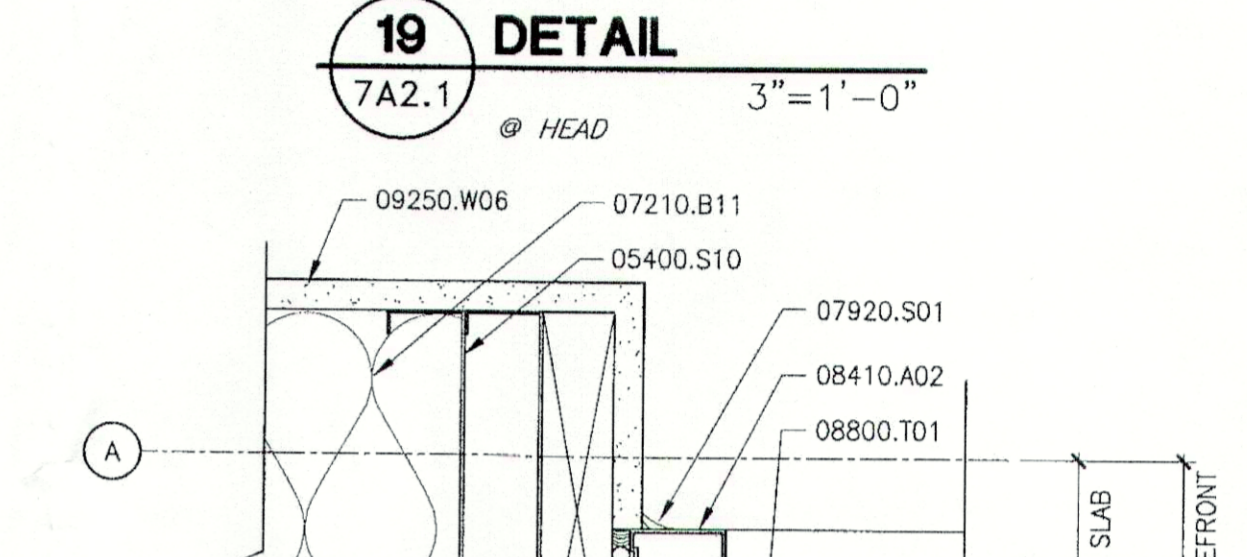
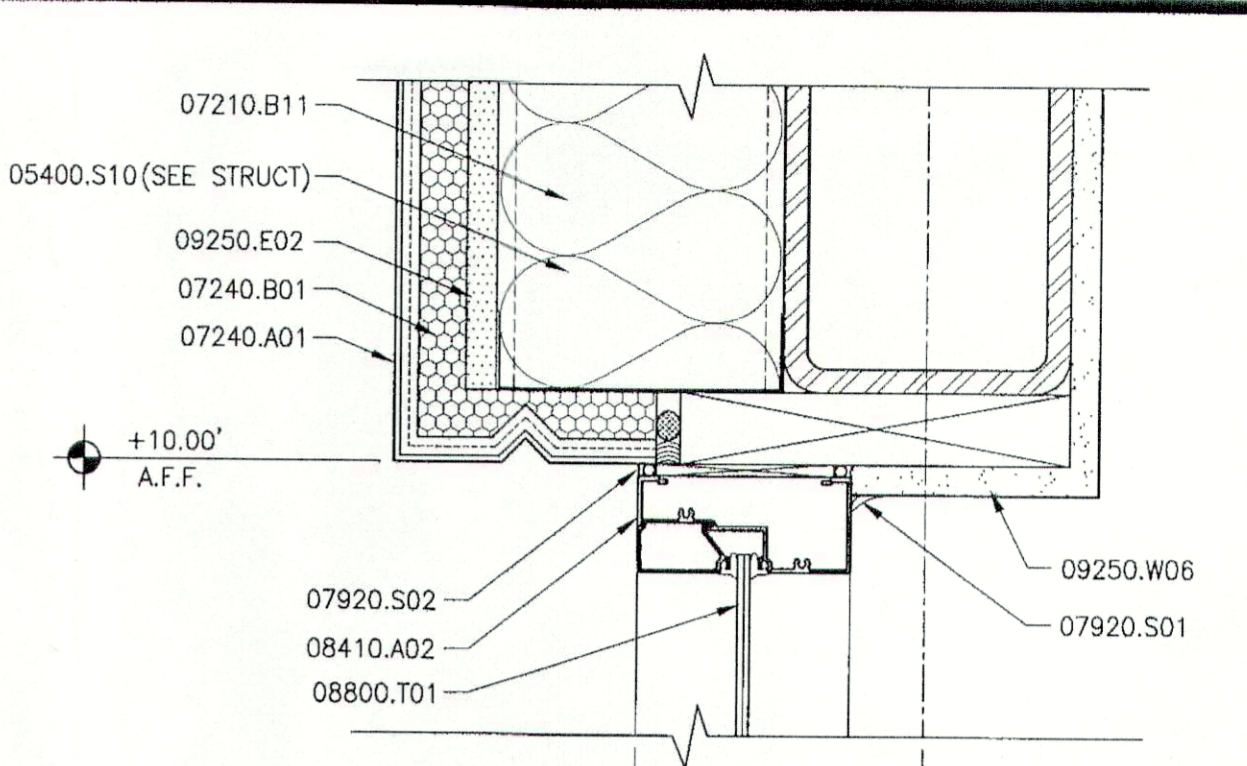
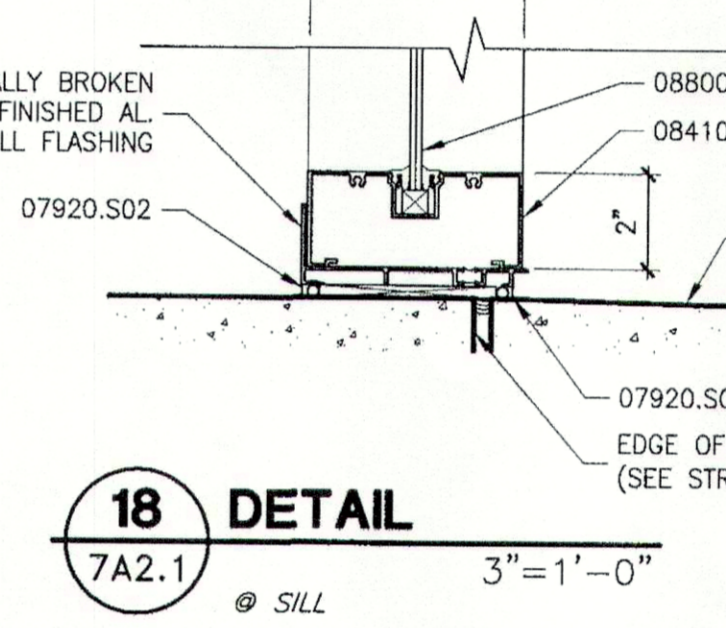
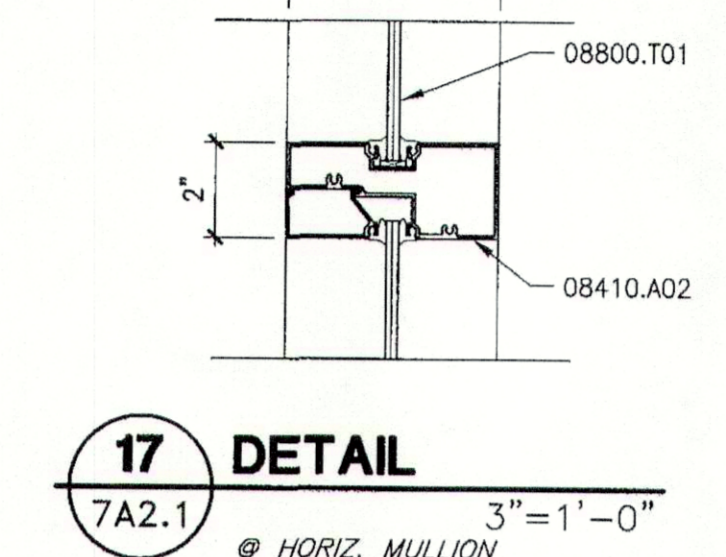
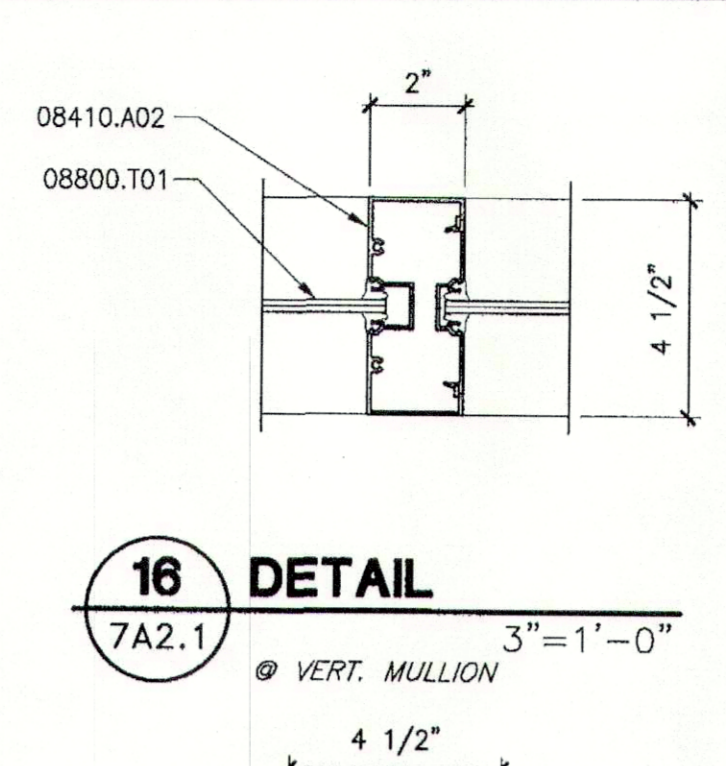
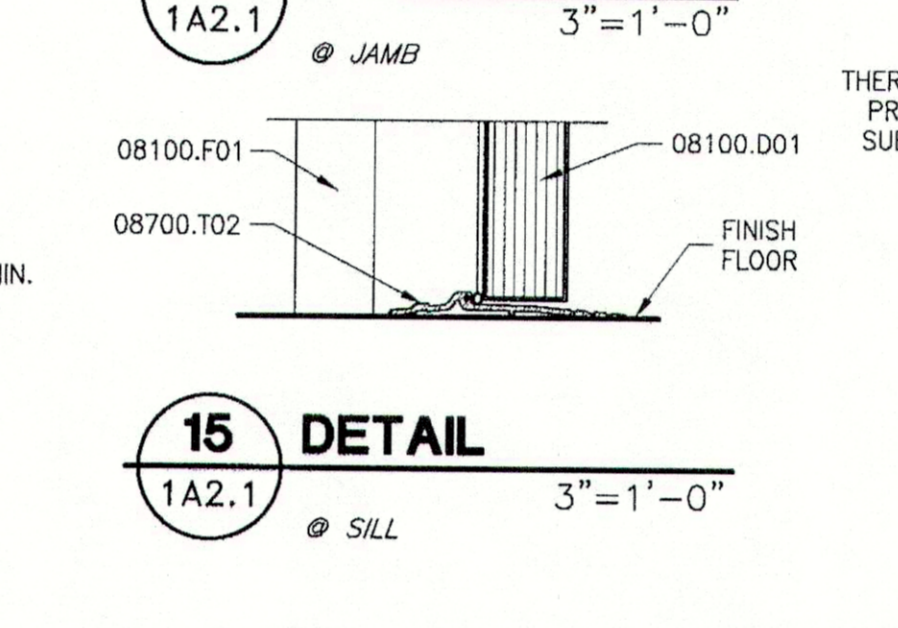
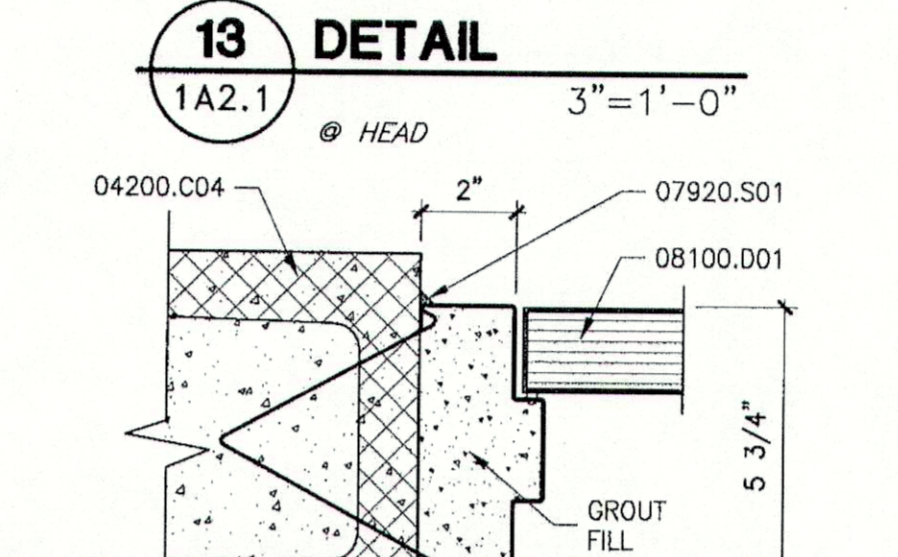
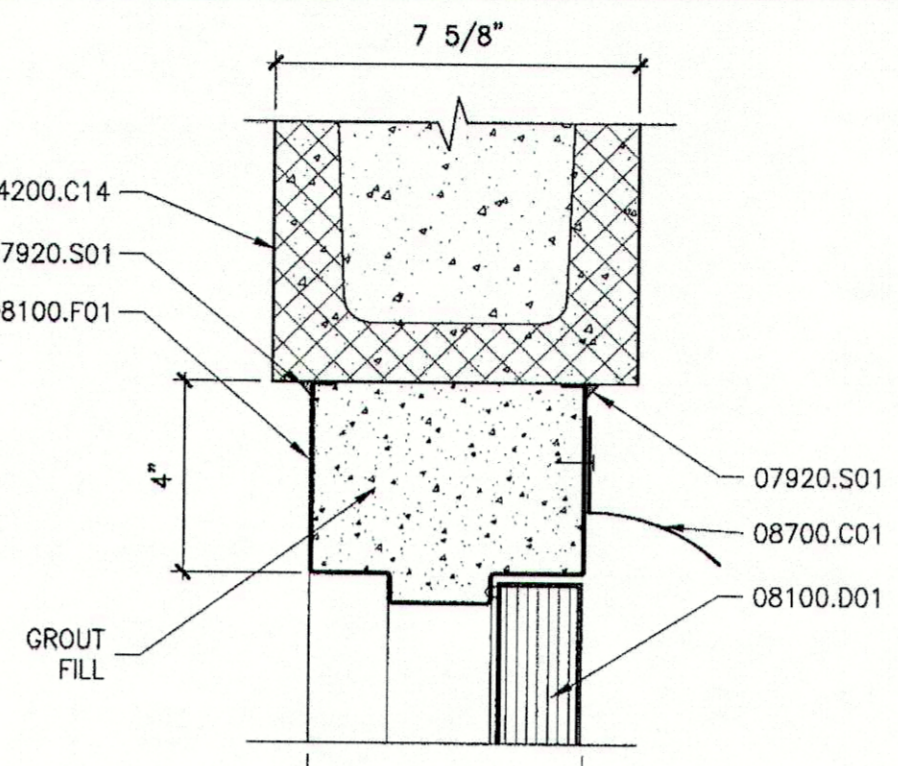
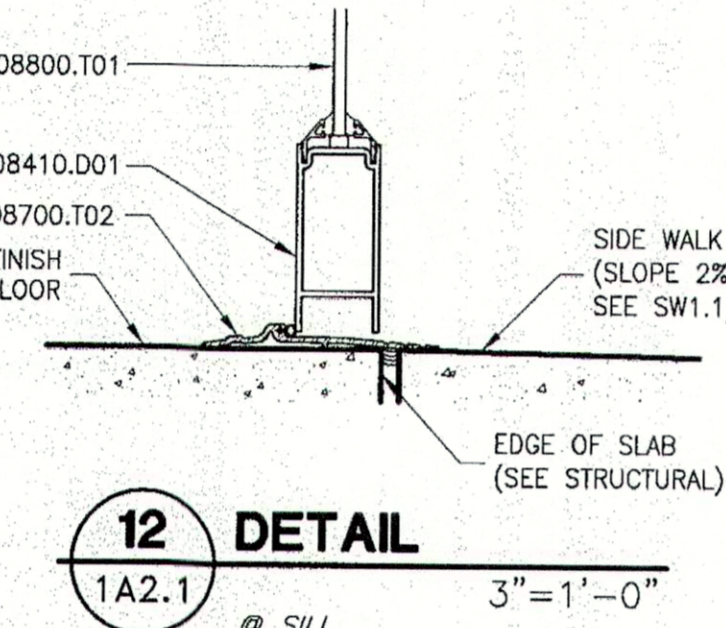
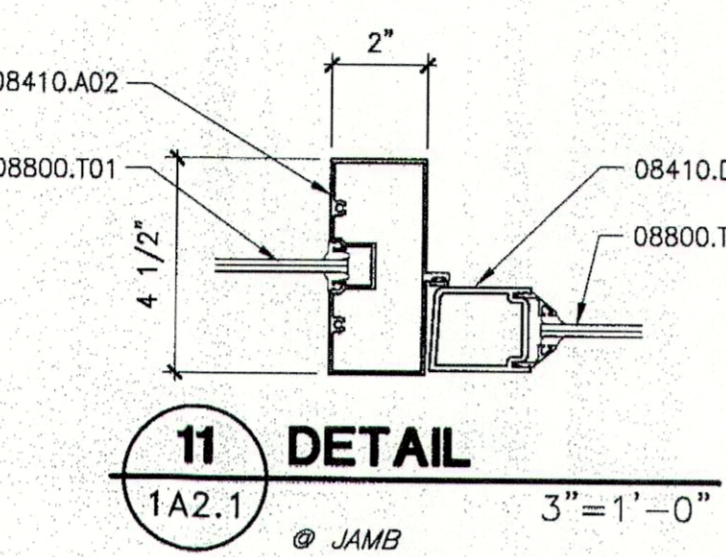
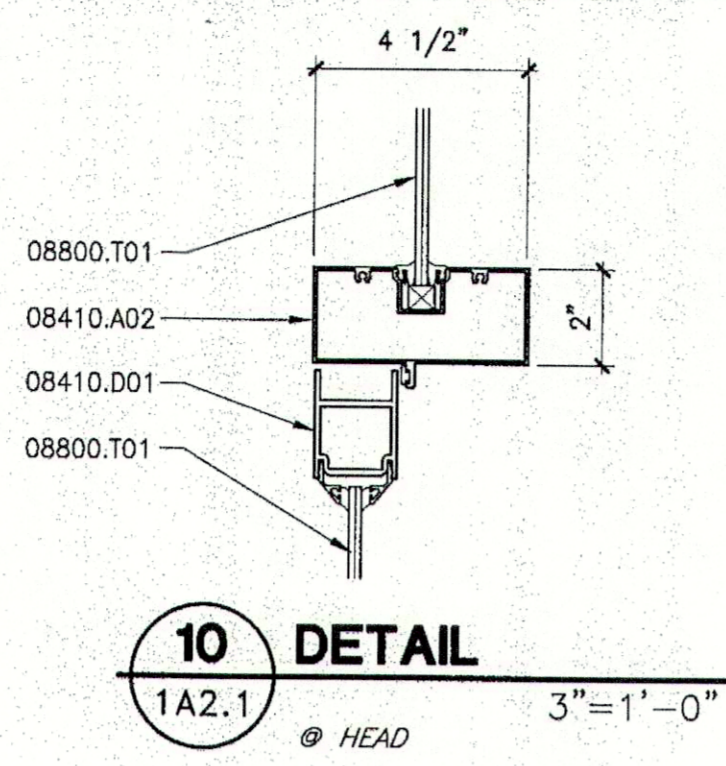


7 STOREFRONT SCHEDULE

STOREFRONT MARK	TYPE (SEE 1/A2.2)	FRAME		MATERIAL (NOTE 1) (SEE 9/A2.1)	GLASS (NOTE 2) (SEE 9/A2.1)	FRAME DETAILS (REF. SHEET A2.1)			REMARKS (SEE 24/A2.1)
		WIDTH	HEIGHT			H	J	S	
A	1	73'-0"	10'-0"	AL	SG	19	20	18	1,2,3
B	2	16'-4"	10'-0"	AL	SG	19	20	18	1,2
C	2	16'-8"	10'-0"	AL	IG	19	20	18	1,2
D	3	31'-8"	10'-0"	AL	SG	19	20	18	1,2
E	2	14'-8"	10'-0"	AL	SG	19	20	18	1,2
F	4	32'-3"	10'-0"	AL	SG	19	20	18	1,2
G	5	37'-7"	10'-0"	AL	SG	19	20	18	1,2
H	1	56'-0"	10'-0"	AL	SG	19	20	18	1,2
J	6	28'-0"	10'-0"	AL	SG	19	20	18	1,2

8 STOREFRONT NOTES

- FRAME MATERIAL:
 - AL = ALUMINUM
 - WD = WOOD
 - STL = STEEL
- GLASS:
 - SG = SINGLE GLAZING
 - DG = DOUBLE GLAZING
 - IC = WELDED INSULATED GLASS
 - LG = LAMINATED SAFETY GLASS



REV #	DATE	DESCRIPTION	BY
6/5/08			
3/4/08			
9/17/07			

DDG DUPLANTIS DESIGN GROUP, PC
 Respect • Integrity • Client Satisfaction • Excellence
 HOUSTON, TEXAS
 314 East Bayou Road
 Houston, Texas 77050
 Phone: 985-447-0090
 Fax: 985-447-0269

SIGNATURE: [Signature]
 DATE: 1/5/08
 STAMP: [Professional Engineer Seal]

PROPOSED RETAIL DEVELOPMENT
 CITY OF BOULTE
 ST. CHARLES PARISH, LOUISIANA
 FOR THE SPECTRA GROUP, INC.
 MEMPHIS, TENNESSEE

DRAWN: LMR
 CHECKED: SMV
 DATE: 8/13/07
 SCALE: AS NOTED ON DWG
 PROJECT NO.: 07-205A
 FILE: REVISION 3/A2.1-DWG
 SHEET: A2.1