

DOOR MARK	DOOR SCHEDULE		THICKNESS		DOOR TYPE (NOTE 1)		CONSTRUCTION (NOTE 2)		FINISH (NOTE 3)		GLASS (NOTE 4)		RATING (NOTE 5)		FRAME TYPE (NOTE 6)		FRAME DETAILS (REF. SHEET A2.1)			REMARKS
	OPENING SIZE	DOOR TYPE	H	J	H	J	H	J	H	J	H	J	H	J	H	J	H	J	S	
101	3'-0" x 7'-0"	AS2	AL	AA	TP	-	AA	-	10	11	12	1								
101A	4'-0" x 7'-0"	MV1	HM	P	-	HMP	1	13	14	15										
101B	3'-0" x 7'-0"	MV1	HM	P	-	HMP	1	13	14	15										
101C	3'-0" x 7'-0"	AS2	AL	AA	TP	-	AA	-	10	11	12	1								
201	3'-0" x 7'-0"	AS1	AL	AA	TP	-	AA	-	10	11	12	1								
201A	3'-0" x 7'-0"	MV1	HM	P	-	HMP	1	13	14	15										
202	3'-0" x 7'-0"	FW	SC	P	-	HMP	2	21	22	23	3, 7									
301	3'-0" x 7'-0"	AS1	AL	AA	TP	-	AA	-	10	11	12	1								
301A	3'-0" x 7'-0"	MV1	HM	P	-	HMP	1	13	14	15										
302	3'-0" x 7'-0"	FW	SC	P	-	HMP	2	21	22	23	3, 7									
401	3'-0" x 7'-0"	AS1	AL	AA	TP	-	AA	-	10	11	12	1								
401A	3'-0" x 7'-0"	MV1	HM	P	-	HMP	1	13	14	15										
402	3'-0" x 7'-0"	FW	SC	P	-	HMP	2	21	22	23	3, 7									
403	3'-0" x 7'-0"	FW	SC	P	-	HMP	2	21	22	23	3, 7									
404	3'-0" x 7'-0"	FW	SC	P	-	HMP	2	21	22	23	3, 7									
501	3'-0" x 7'-0"	AS1	AL	AA	TP	-	AA	-	10	11	12	1								
501A	3'-0" x 7'-0"	MV1	HM	P	-	HMP	1	13	14	15										
502	3'-0" x 7'-0"	FW	SC	P	-	HMP	2	21	22	23	3, 7									
601	3'-0" x 7'-0"	AS1	AL	AA	TP	-	AA	-	10	11	12	1								
601A	3'-0" x 7'-0"	MV1	HM	P	-	HMP	1	13	14	15										
601B	3'-0" x 7'-0"	MV1	HM	P	-	HMP	1	13	14	15										
602	3'-0" x 7'-0"	FW	SC	P	-	HMP	2	21	22	23	3, 7									
603	3'-0" x 7'-0"	FW	SC	P	-	HMP	2	21	22	23	3, 7									
701	3'-0" x 7'-0"	AS1	AL	AA	TP	-	AA	-	10	11	12	1								
701A	3'-0" x 7'-0"	MV1	HM	P	-	HMP	1	13	14	15										
702	3'-0" x 7'-0"	FW	SC	P	-	HMP	2	21	22	23	3, 7									
801	3'-0" x 7'-0"	AS1	AL	AA	TP	-	AA	-	10	11	12	1								
801A	3'-0" x 7'-0"	MV1	HM	P	-	HMP	1	13	14	15										
802	3'-0" x 7'-0"	FW	SC	P	-	HMP	2	21	22	23	3, 7									
803	3'-0" x 7'-0"	FW	SC	P	-	HMP	2	21	22	23	3, 7									
901	6'-0" x 7'-0"	AS2	AL	AA	TP	-	AA	-	10	11	12	1								
902	3'-0" x 7'-0"	FW	SC	P	-	HMP	2	21	22	23	3, 5									
902A	3'-0" x 7'-0"	MV1	HM	P	-	HMP	1	13	14	15										
903	3'-0" x 7'-0"	FW	SC	P	-	HMP	2	21	22	23	3, 7									
904	3'-0" x 7'-0"	FW	SC	P	-	HMP	2	21	22	23	3, 6, 7									
905	3'-0" x 7'-0"	MV1	HM	P	-	HMP	1	13	14	15										
906	3'-0" x 7'-0"	FW	SC	P	-	HMP	2	21	22	23	3									
1001	6'-0" x 7'-0"	AS2	AL	AA	TP	-	AA	-	10	11	12	1								
1002	3'-0" x 7'-0"	WG7	SC	P	-	HMP	2	21	22	23	8									
1002A	3'-0" x 7'-0"	MV1	HM	P	-	HMP	1	13	14	15										
1003	3'-0" x 7'-0"	FW	SC	P	-	HMP	2	21	22	23	3, 7									
1004	3'-0" x 7'-0"	FW	SC	P	-	HMP	2	21	22	23	3, 7									
1005	3'-0" x 7'-0"	FW	SC	P	-	HMP	2	21	22	23	3									
1101	6'-0" x 7'-0"	AS2	AL	AA	TP	-	AA	-	10	11	12	1								
1102	3'-0" x 7'-0"	FW	SC	P	-	HMP	2	21	22	23	3, 5									
1102A	3'-0" x 7'-0"	MV1	HM	P	-	HMP	1	13	14	15										
1103	3'-0" x 7'-0"	FW	SC	P	-	HMP	2	21	22	23	3, 7									
1104	3'-0" x 7'-0"	FW	SC	P	-	HMP	2	21	22	23	3, 7									
1105	3'-0" x 7'-0"	MV1	HM	P	-	HMP	1	13	14	15										
1201	3'-0" x 7'-0"	AS1	AL	AA	TP	-	AA	-	10	11	12	1								
1201A	3'-0" x 7'-0"	MV1	HM	P	-	HMP	1	13	14	15										
1301	3'-0" x 7'-0"	MV1	HM	P	-	HMP	1	13	14	15	4									

2 DOOR REMARKS	
1. DOOR IS PART OF STOREFRONT SYSTEM, SEE STOREFRONT SCHEDULE AND DETAILS.	
2. CASING OPENING	
3. DOOR FINISH SHOWN TO INDICATE FINISH BY TENANT. PAINTING OF DOOR IS NOT IN CONTRACT.	
4. VIEWER NOT PROVIDED FOR THIS DOOR.	
5. INSTALL CLOSER ON RECEIVING ROOM SIDE OF DOOR.	
6. WALL HAS EXTRA LAYER OF O.S.B., ADJUST FRAME WIDTH ACCORDINGLY.	
7. UNDER CUT DOOR 1"	
8. ONE WAY VIEWING WINDOW (12" x 12") CENTERED IN DOOR 60" A.F.F.	

3 DOOR NOTES	
1. DOOR TYPES, SEE ELEVATION DRAWINGS 5/A2.1	
2. DOOR CONSTRUCTION: SC = SOLID CORE HM = HOLLOW METAL SR = STILE AND RAIL HC = HOLLOW CORE AL = ALUMINUM ANODIZED (RAISED PANEL OR GLASS)	
3. FINISH & FINISH S = STAINED PL = PLASTIC LAMINATE FF = FACTORY FINISH P = PAINTED AA = ALUMINUM ANODIZED	
4. GLASS: CP = CLEAR PLATE CW = CLEAR WIRE, 1/4" LG = LAMINATED SAFETY GLASS, 1/4" SG = SHEET GLASS TP = TEMPERED PLATE, 1/4" LG = LAMINATED/INSULATED GLASS, 1"	
5. 20, 45, 60, 90, 120, ETC., INDICATES MINUTES OF FIRE RATING FOR BOTH DOOR AND FRAME	
6. FRAME MATERIAL & FINISH: WS = WOOD STAINED HMP = HOLLOW METAL PAINTED HMF = HOLLOW METAL WP = WOOD PAINTED AA = ALUMINUM ANODIZED PRE-FINISHED	

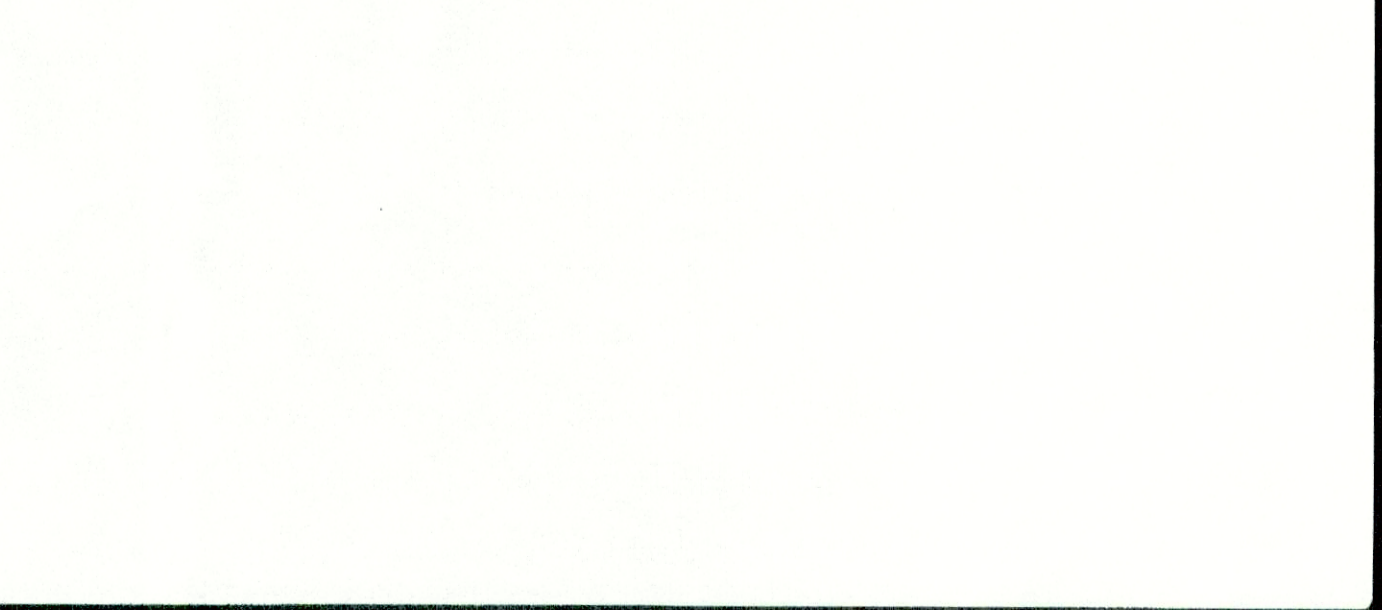
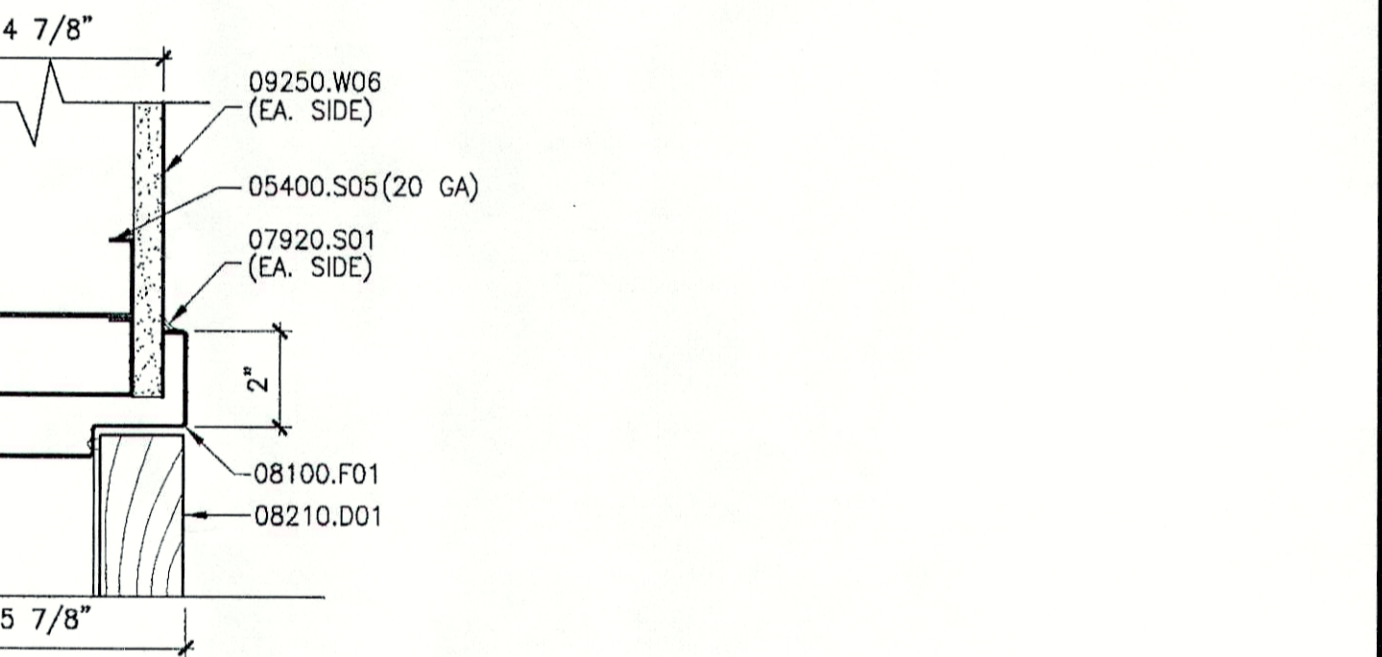
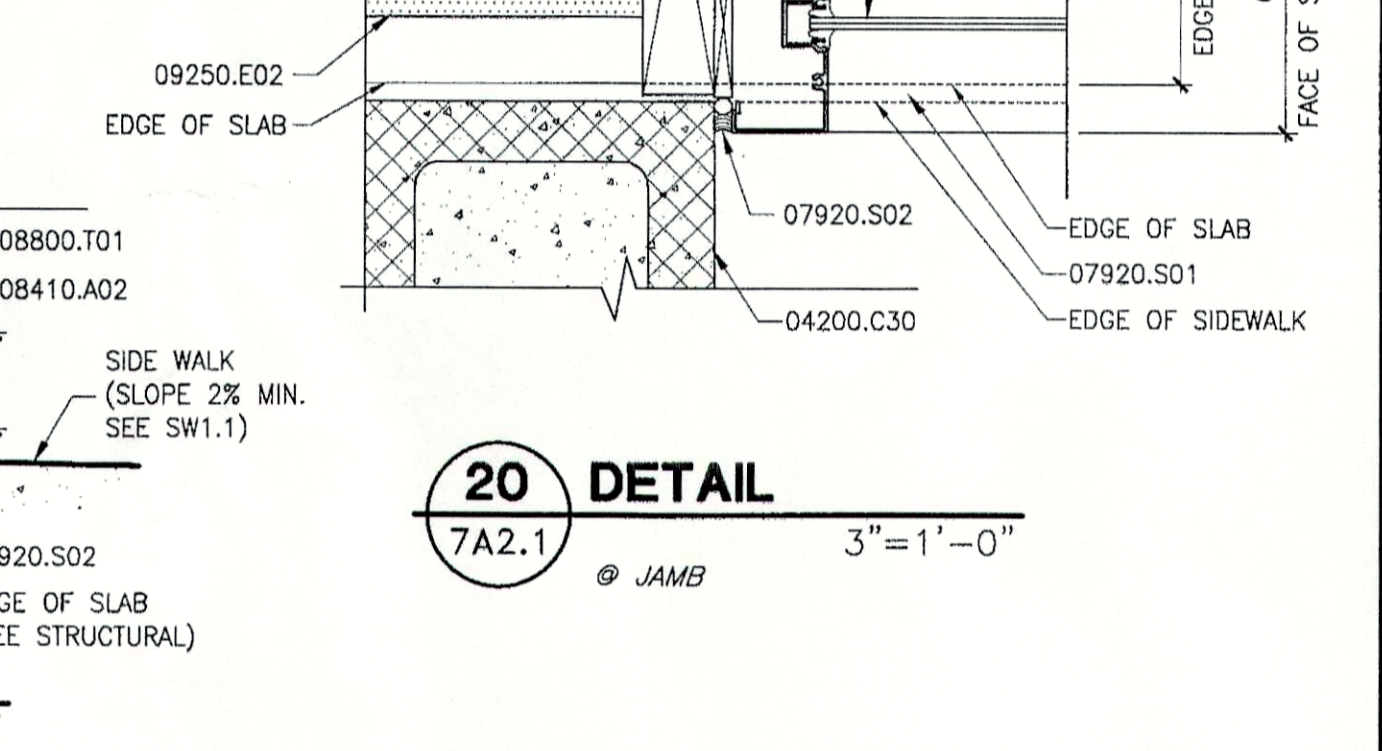
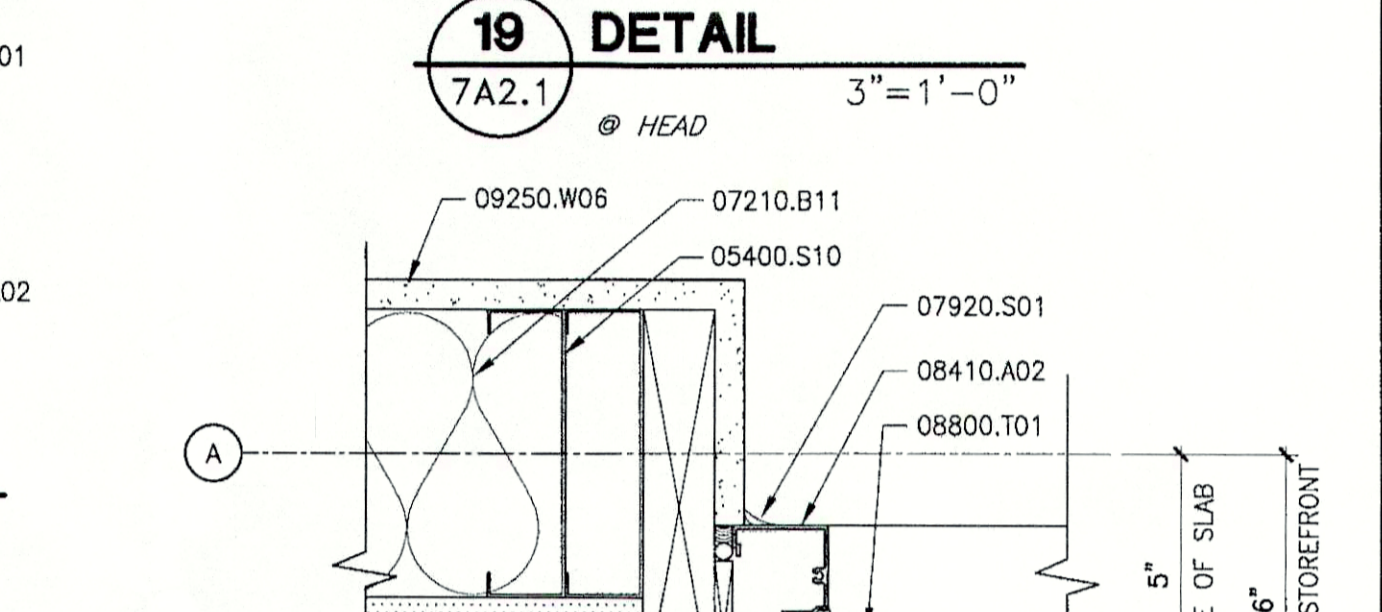
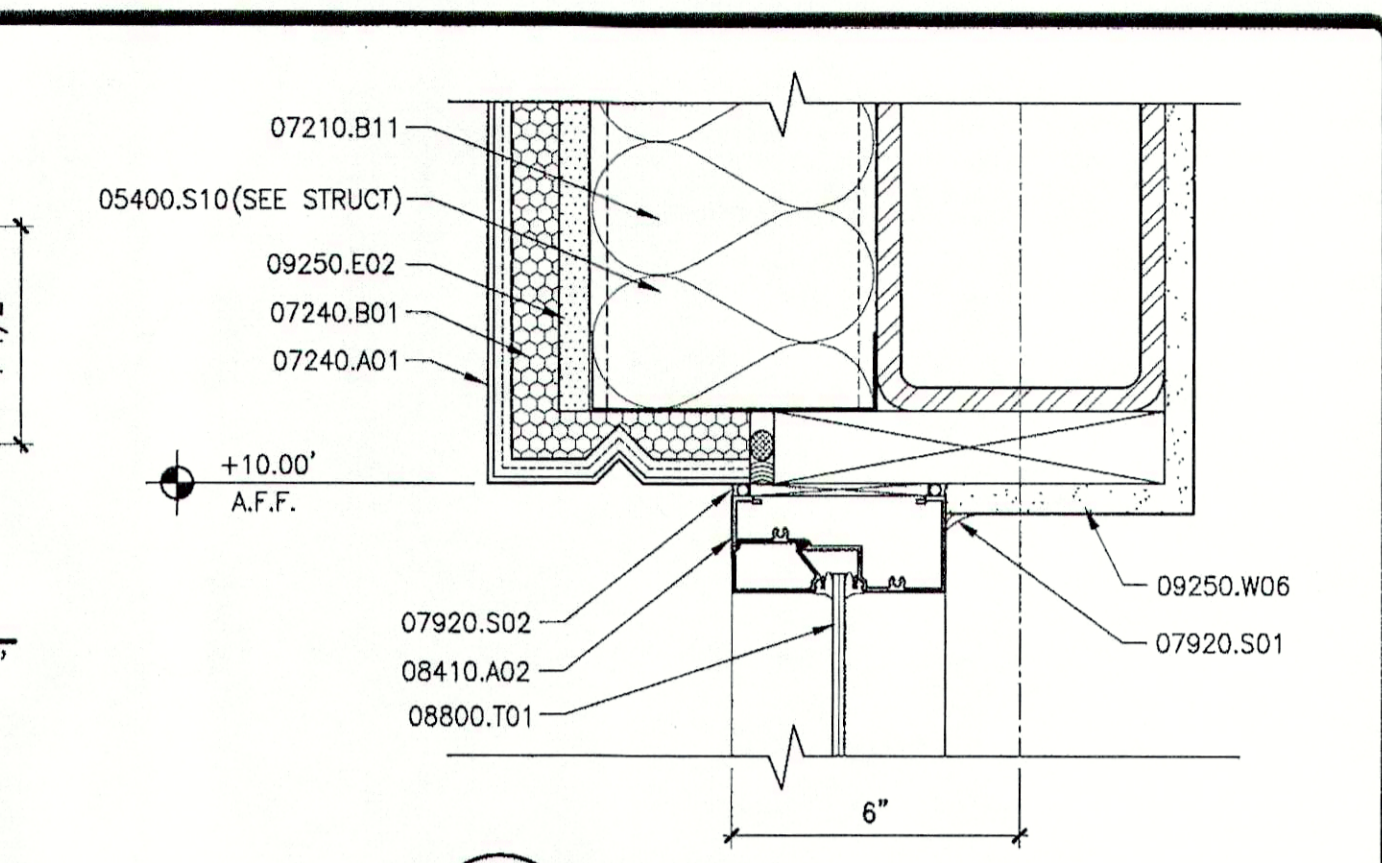
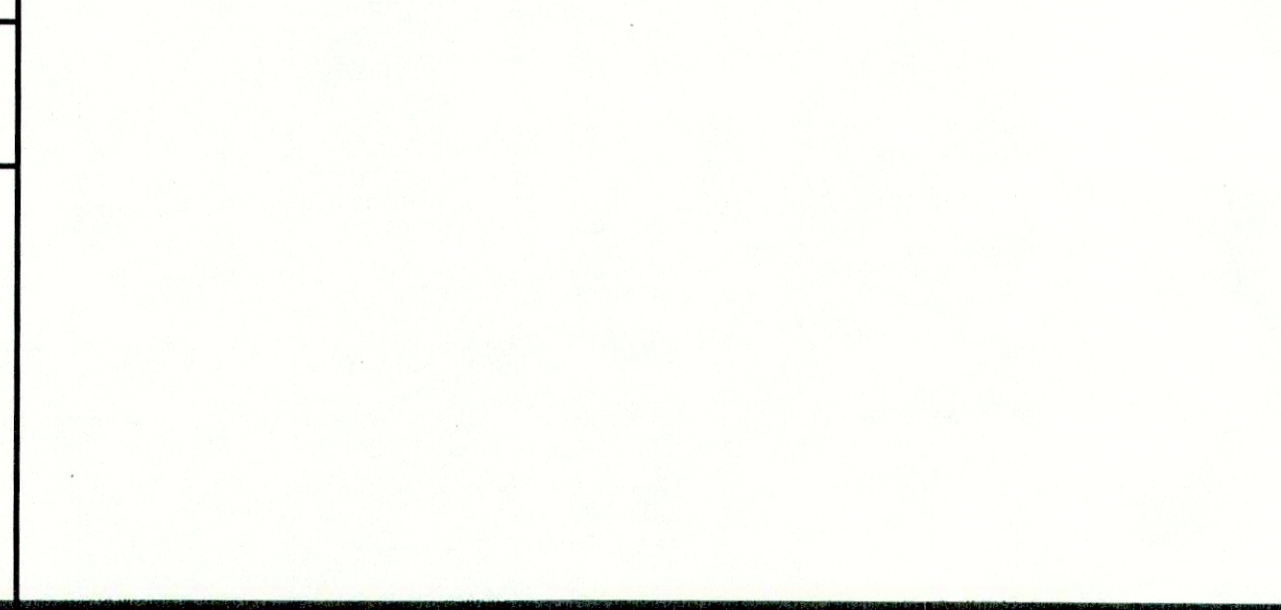
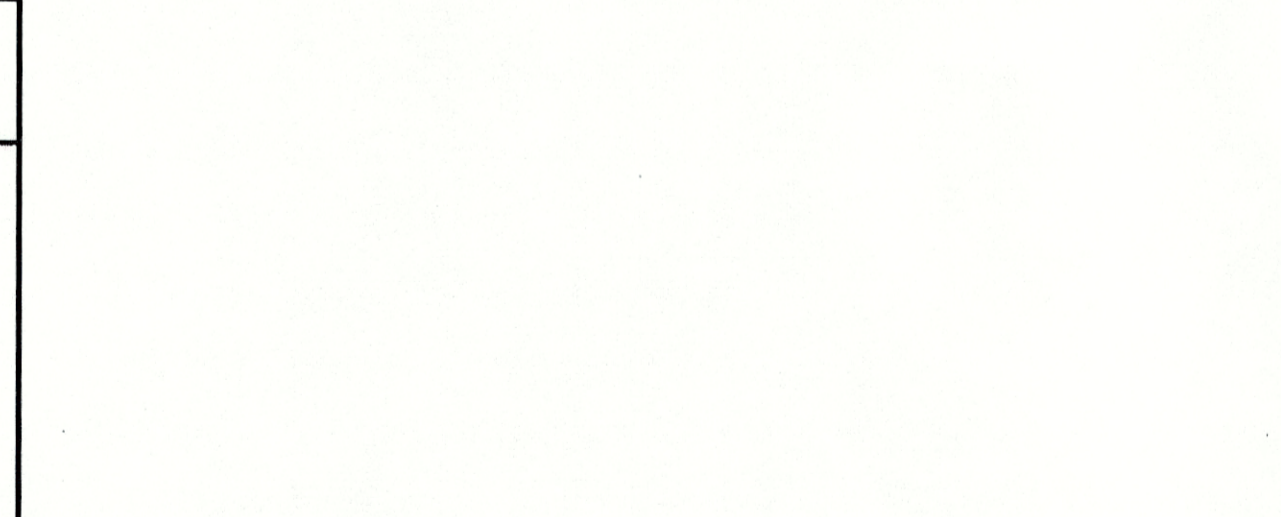
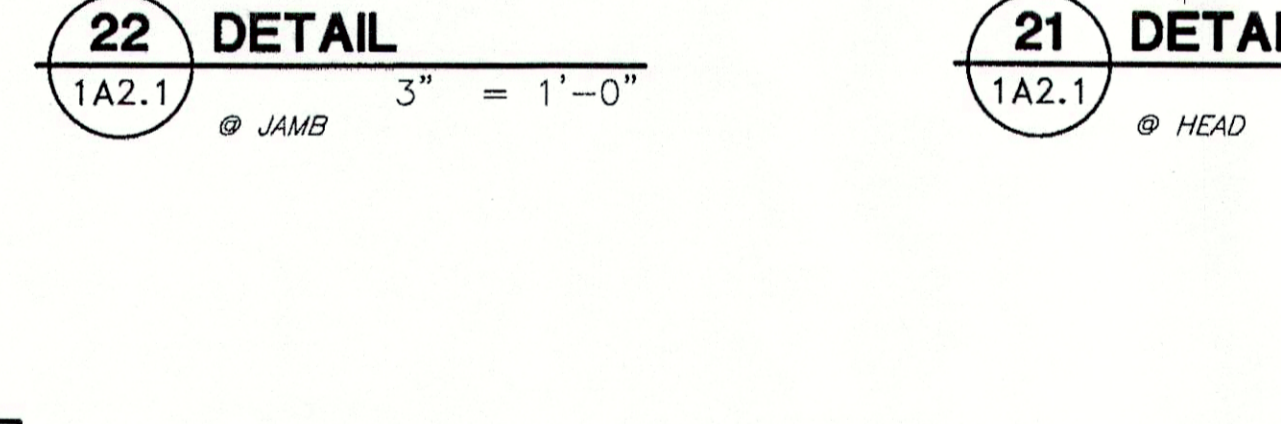
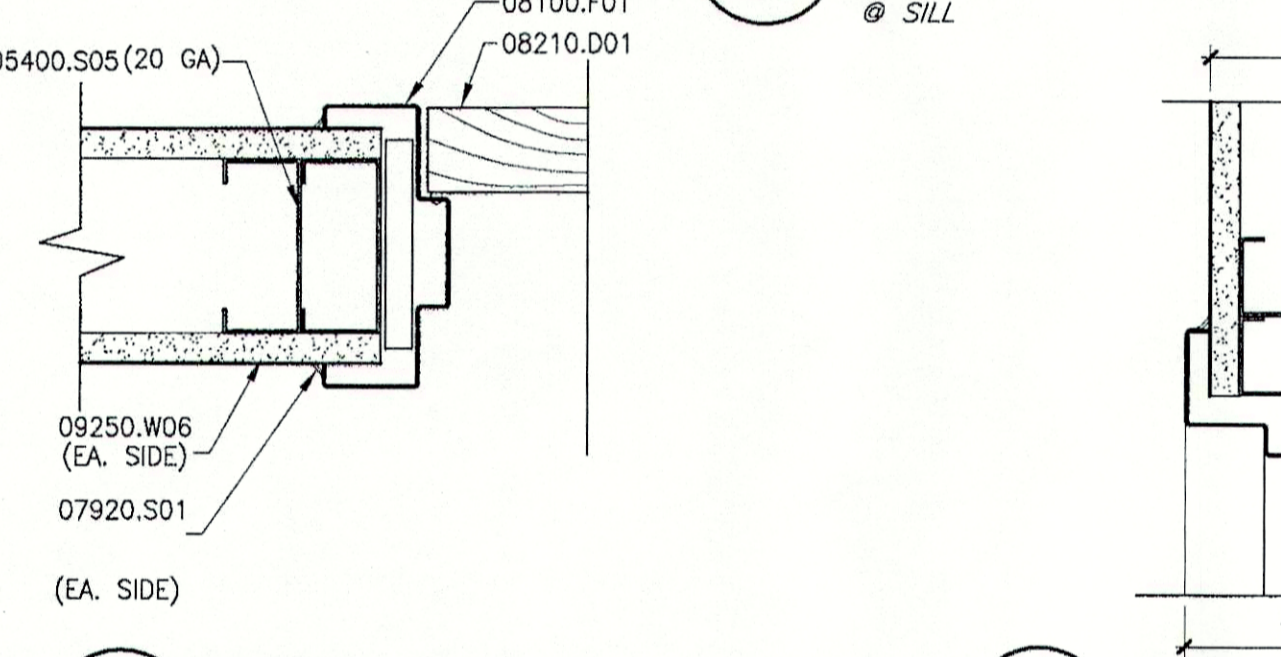
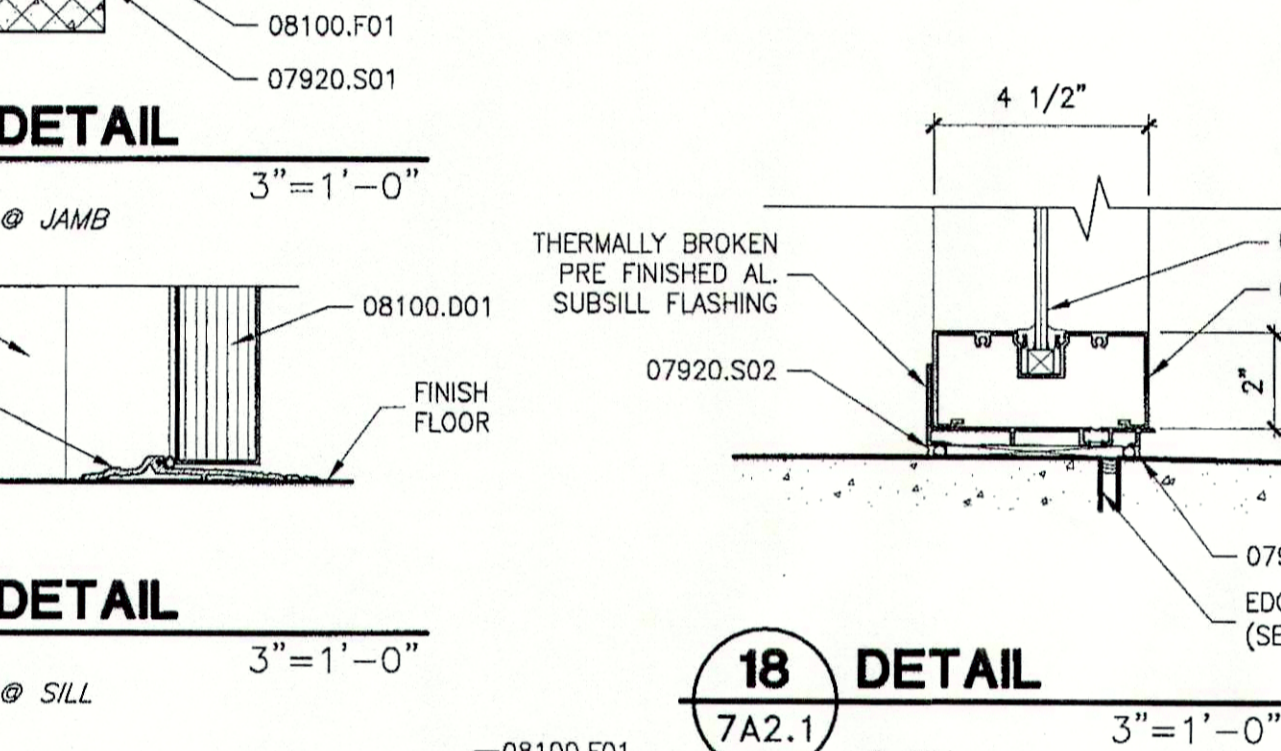
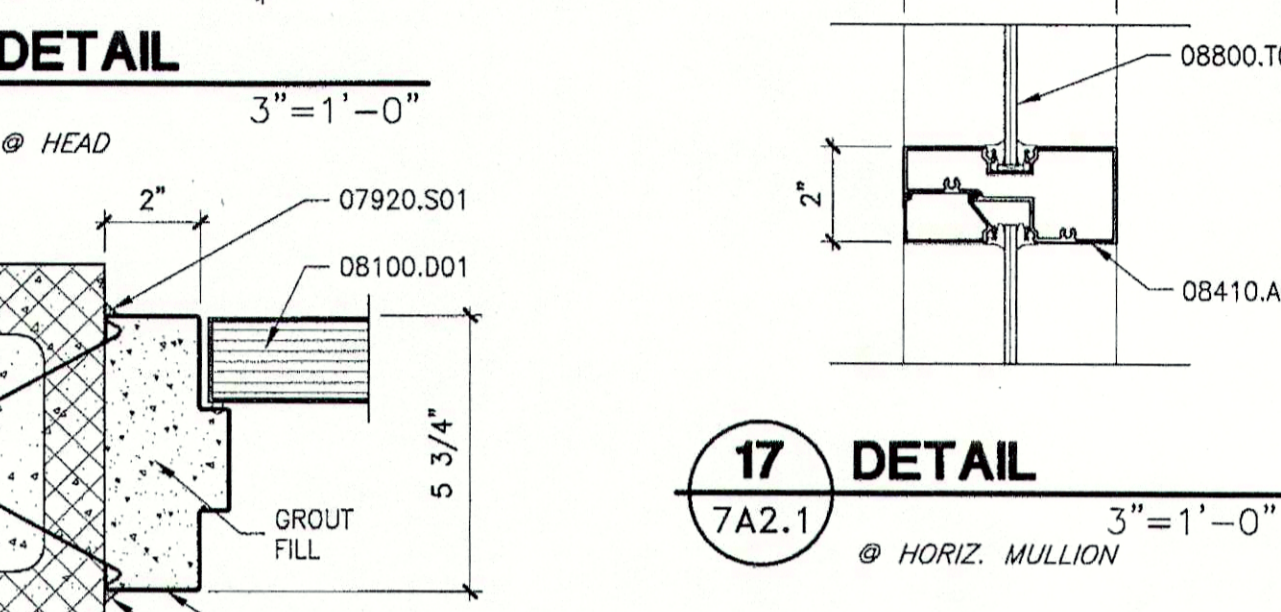
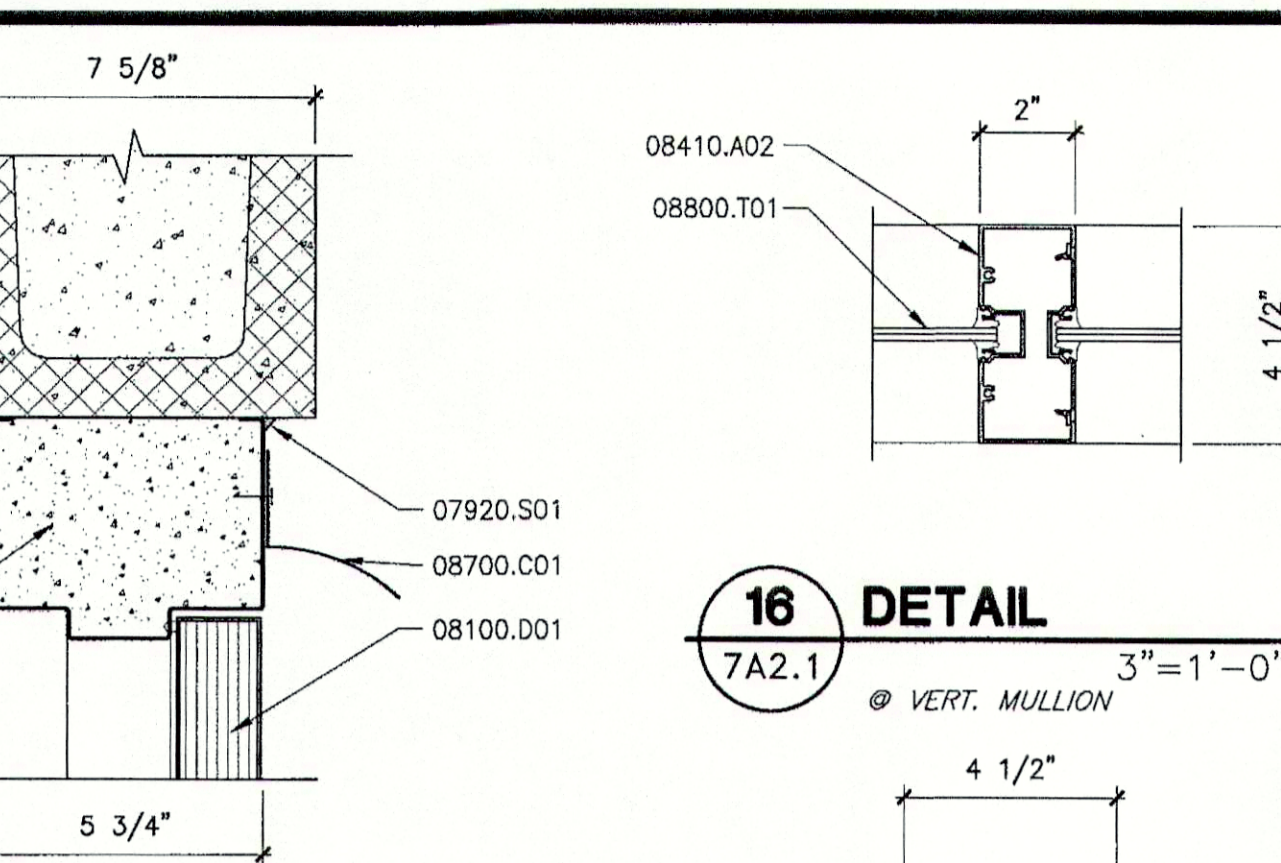
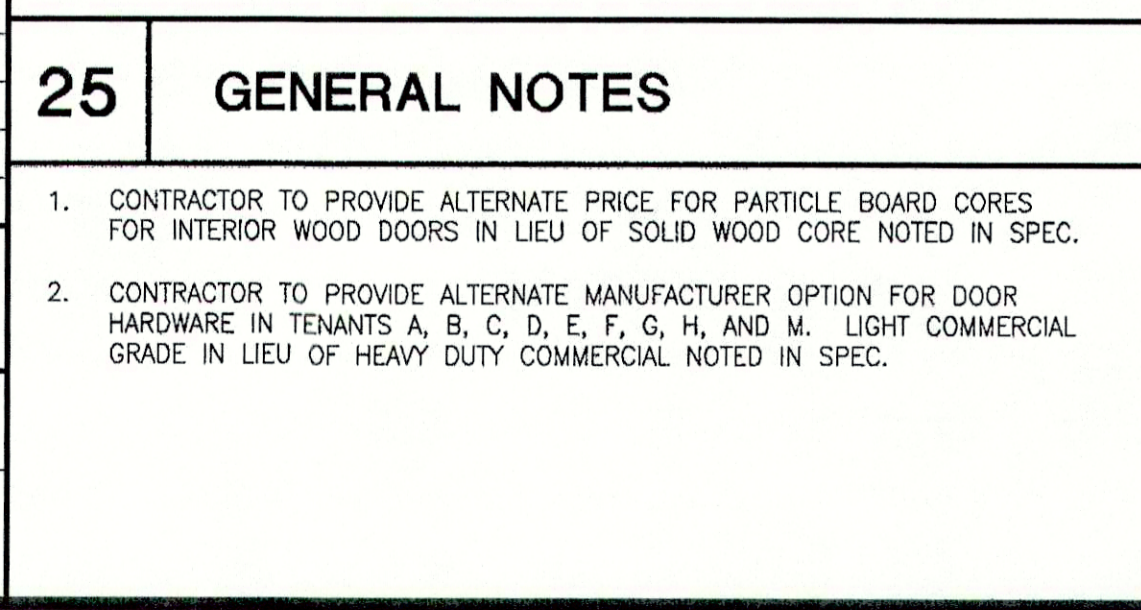
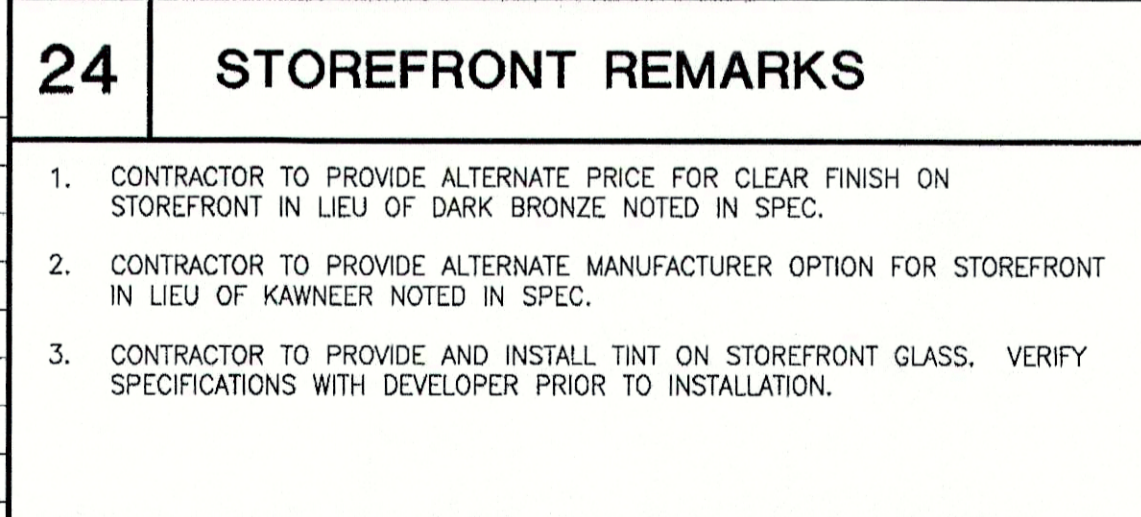
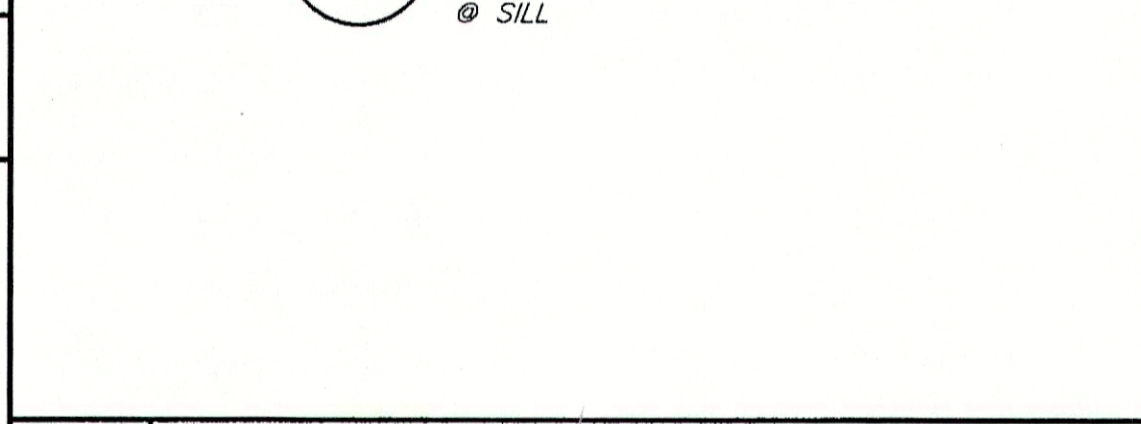
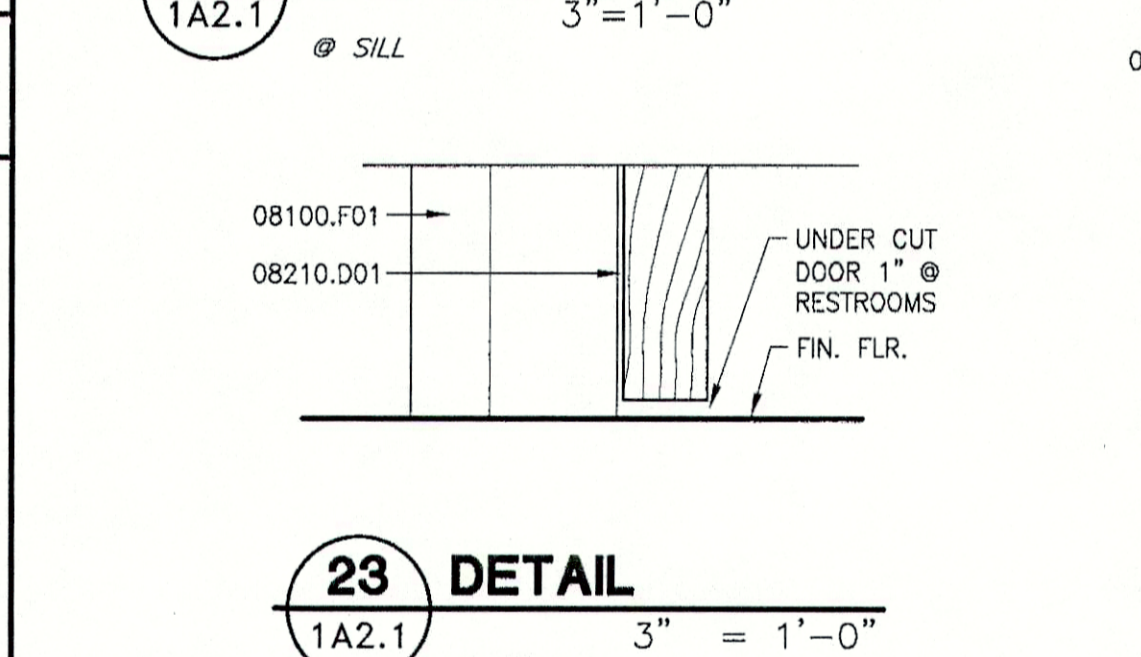
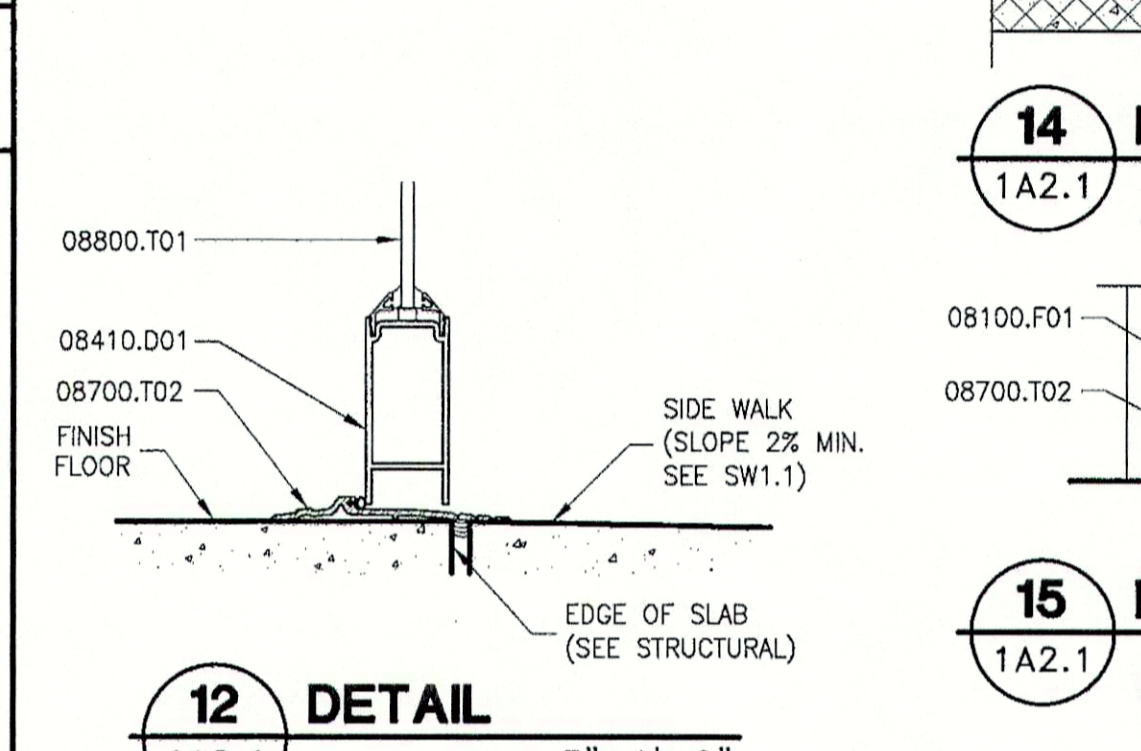
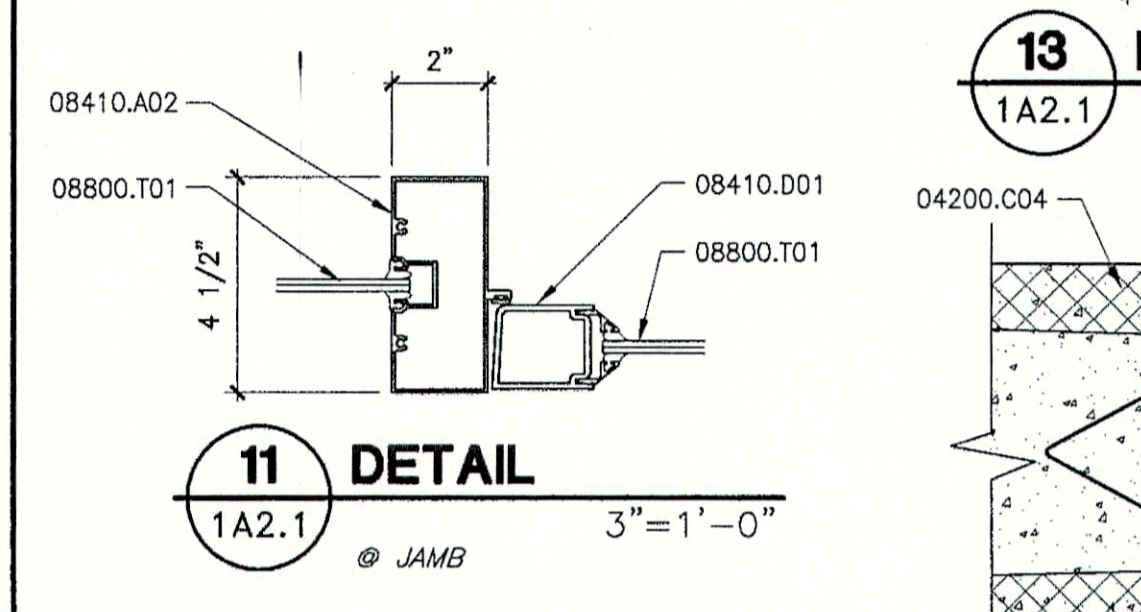
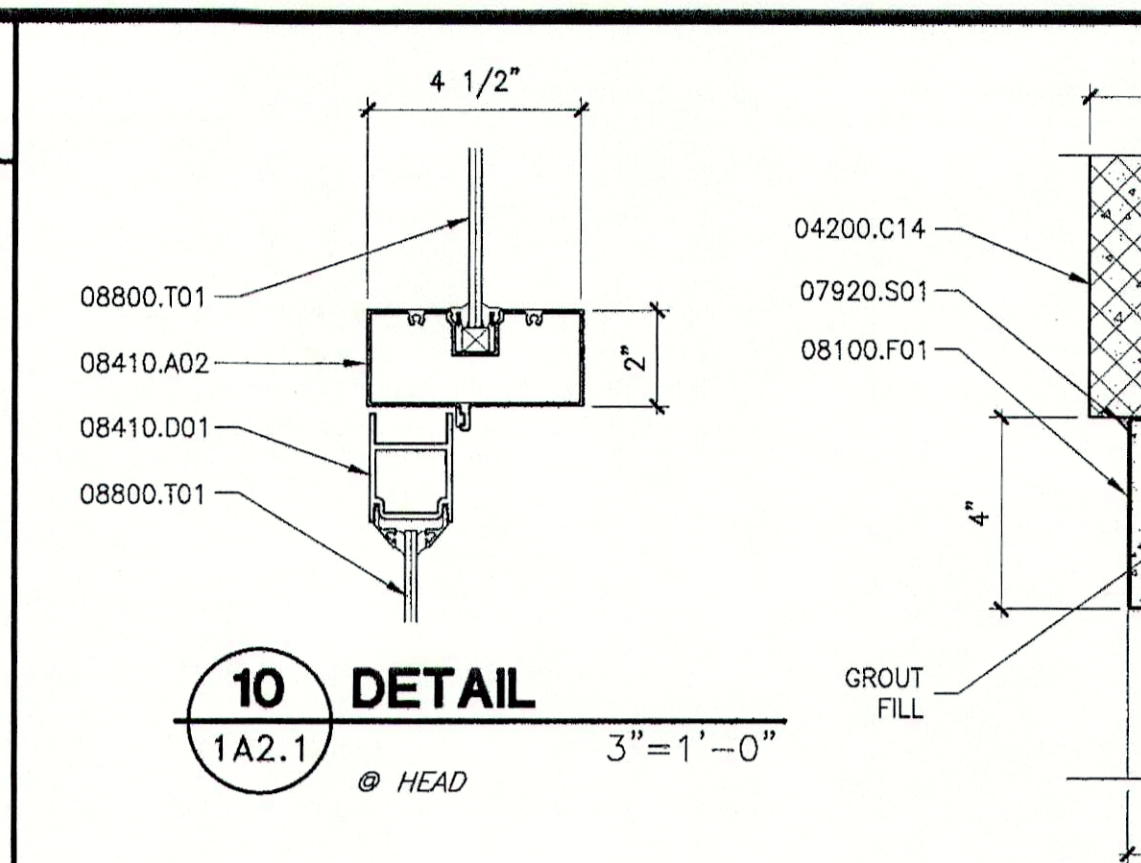
4 KEYNOTES	
04200.C04 8 x 8 x 16 C.M.U., SMOOTH FACED, RUNNING BOND	
04200.C14 8 x 8 x 16 C.M.U. U-BLOCK, SMOOTH FACED, CONC. FILL W/ #5 BARS	
04200.C30 8 x 8 x 16 C.M.U., SMOOTH FACED, SCORED, RUNNING BOND	
05400.S05 3-5/8" MTL. STUD @ 24" O.C., GAUGE AS SHOWN IN PARENTHESIS	
05400.S10 6" MTL. STUD @ 16" O.C., GAUGE AS SHOWN IN PARENTHESIS	
07210.B11 BAIT INSULATION: 5-1/2" THICK, R-19, KRAFT-FACED	
07240.A01 E.I.F.S. OVER INSULATION BOARD, SEE DETAILS	
07240.B01 1" EPS INSULATION BOARD, ADHESIVE ATTACHED	
07920.S01 FLEXIBLE SEALANT	
07920.S02 FLEXIBLE SEALANT W/ BACKER ROD	
08100.D01 HOLLOW METAL DOOR	
08100.F01 HOLLOW METAL FRAME	
08210.D01 FLUSH WOOD DOOR	
08410.A02 ALUM. STOREFRONT FRAMING COMPONENT	
08410.D01 ALUM. STOREFRONT DOOR	
08700.C01 DRIP CAP, SEE SCHEDULE	
08700.T02 HANDICAPPED ACCESSIBLE THRESHOLD	
08800.G01 1" INSUL. GLASS	
08800.T01 1/4" CLEAR TEMPERED GLASS	
09250.E02 5/8" EXTERIOR GYPSUM SHEATHING, GLASS MAT FACING	
09250.W06 5/8" GYPSUM BOARD	

5 DOOR TYPES	
TYPE-AS1	
TYPE-AS2	
TYPE-MV1	
TYPE-FW	
TYPE-MG7	

6 FRAME TYPES	
TYPE-1	
TYPE-2	

7 STOREFRONT SCHEDULE	
A 1 73'-0" 10'-0" AL SG 19 20 18 1,2,3	
B 2 16'-4" 10'-0" AL SG 19 20 18 1,2	
C 2 16'-8" 10'-0" AL IG 19 20 18 1,2	
D 3 31'-8" 10'-0" AL SG 19 20 18 1,2	
E 2 14'-8" 10'-0" AL SG 19 20 18 1,2	
F 4 32'-3" 10'-0" AL SG 19 20 18 1,2	
G 5 37'-7" 10'-0" AL SG 19 20 18 1,2	
H 1 56'-0" 10'-0" AL SG 19 20 18 1,2	
J 6 28'-0" 10'-0" AL SG 19 20 18 1,2	

8 STOREFRONT NOTES	
1. FRAME MATERIAL AL = ALUMINUM WD = WOOD STL = STEEL	
2. GLASS SG = SINGLE GLAZING IG = WELDED INSULATED GLASS DG = DOUBLE GLAZING LG = LAMINATED SAFETY GLASS	



REV #	DESCRIPTION	DATE	BY
3/4/08	REV #3	9/17/07	LMR
	REV #1		LMR

**DDG DUPLANTIS DESIGN GROUP, PC**  
 Respect • Integrity • Client Satisfaction • Excellence  
 THIBODAUX, LOUISIANA  
 Civil Engineering • Site Development • Land Planning • Public Works • Architecture  
 314 Lake Bayou Road  
 Thibodaux, Louisiana 70301  
 Phone: 985.447.0090  
 Fax: 985.447.0091