

DOOR MARK	OPENING SIZE	THICKNESS	(FOR NOTES SEE 3/A2.1)						FRAME DETAILS (REF. SHEET A2.1)			REMARKS
			DOOR TYPE (NOTE 1)	CONSTRUCTION (NOTE 2)	FINISH (NOTE 3)	GLASS (NOTE 4)	RATING (NOTE 5)	FRAME (NOTE 6)	FRAME TYPE (SEE 6/A2.1)	H	J	
101	6'-0"x7'-0"	3/4"	AS2	AL	TP	-	AA	-	10	11	12	1
101A	3'-0"x7'-0"	1-3/4"	MV1	HM	P	-	HMP	1	13	14	15	
101B	3'-0"x7'-0"	1-3/4"	MV1	HM	P	-	HMP	1	13	14	15	
201	3'-0"x7'-0"	1-3/4"	AS1	AL	TP	-	AA	-	10	11	12	1
201A	3'-0"x7'-0"	1-3/4"	MV1	HM	P	-	HMP	1	13	14	15	
202	3'-0"x7'-0"	1-3/4"	FW	SC	P	-	HMP	2	21	22	23	3, 7
301	3'-0"x7'-0"	1-3/4"	AS1	AL	TP	-	AA	-	10	11	12	1
301A	3'-0"x7'-0"	1-3/4"	MV1	HM	P	-	HMP	1	13	14	15	
302	3'-0"x7'-0"	1-3/4"	FW	SC	P	-	HMP	2	21	22	23	3, 7
401	3'-0"x7'-0"	1-3/4"	AS1	AL	TP	-	AA	-	10	11	12	1
401A	3'-0"x7'-0"	1-3/4"	MV1	HM	P	-	HMP	1	13	14	15	
402	3'-0"x7'-0"	1-3/4"	FW	SC	P	-	HMP	2	21	22	23	3, 7
501	3'-0"x7'-0"	1-3/4"	AS1	AL	TP	-	AA	-	10	11	12	1
501A	3'-0"x7'-0"	1-3/4"	MV1	HM	P	-	HMP	1	13	14	15	
502	3'-0"x7'-0"	1-3/4"	FW	SC	P	-	HMP	2	21	22	23	3, 7
601	3'-0"x7'-0"	1-3/4"	AS1	AL	TP	-	AA	-	10	11	12	1
601A	3'-0"x7'-0"	1-3/4"	MV1	HM	P	-	HMP	1	13	14	15	
602	3'-0"x7'-0"	1-3/4"	FW	SC	P	-	HMP	2	21	22	23	3, 7
603	3'-0"x7'-0"	1-3/4"	FW	SC	P	-	HMP	2	21	22	23	3, 7
701	3'-0"x7'-0"	1-3/4"	AS1	AL	TP	-	AA	-	10	11	12	1
701A	3'-0"x7'-0"	1-3/4"	MV1	HM	P	-	HMP	1	13	14	15	
702	3'-0"x7'-0"	1-3/4"	FW	SC	P	-	HMP	2	21	22	23	3, 7
801	3'-0"x7'-0"	1-3/4"	AS1	AL	TP	-	AA	-	10	11	12	1
801A	3'-0"x7'-0"	1-3/4"	MV1	HM	P	-	HMP	1	13	14	15	
802	3'-0"x7'-0"	1-3/4"	FW	SC	P	-	HMP	2	21	22	23	3, 7
803	3'-0"x7'-0"	1-3/4"	FW	SC	P	-	HMP	2	21	22	23	3, 7
901	6'-0"x7'-0"	3/4"	AS2	AL	TP	-	AA	-	10	11	12	1
902	3'-0"x7'-0"	1-3/4"	FW	SC	P	-	HMP	2	21	22	23	3, 5
902A	3'-0"x7'-0"	1-3/4"	MV1	HM	P	-	HMP	1	13	14	15	
903	3'-0"x7'-0"	1-3/4"	FW	SC	P	-	HMP	2	21	22	23	3, 7
904	3'-0"x7'-0"	1-3/4"	FW	SC	P	-	HMP	2	21	22	23	3, 7
905	3'-0"x7'-0"	1-3/4"	MV1	HM	P	-	HMP	1	13	14	15	
906	3'-0"x7'-0"	1-3/4"	FW	SC	P	-	HMP	2	21	22	23	3
1001	6'-0"x7'-0"	3/4"	AS2	AL	TP	-	AA	-	10	11	12	1
1002	3'-0"x7'-0"	1-3/4"	WG7	SC	P	-	HMP	2	21	22	23	8
1002A	3'-0"x7'-0"	1-3/4"	MV1	HM	P	-	HMP	1	13	14	15	
1003	3'-0"x7'-0"	1-3/4"	FW	SC	P	-	HMP	2	21	22	23	3, 7
1004	3'-0"x7'-0"	1-3/4"	FW	SC	P	-	HMP	2	21	22	23	3, 7
1005	3'-0"x7'-0"	1-3/4"	FW	SC	P	-	HMP	2	21	22	23	3
1101	6'-0"x7'-0"	3/4"	AS2	AL	TP	-	AA	-	10	11	12	1
1102	3'-0"x7'-0"	1-3/4"	FW	SC	P	-	HMP	2	21	22	23	3, 5
1102A	3'-0"x7'-0"	1-3/4"	MV1	HM	P	-	HMP	1	13	14	15	
1103	3'-0"x7'-0"	1-3/4"	FW	SC	P	-	HMP	2	21	22	23	3, 7
1104	3'-0"x7'-0"	1-3/4"	FW	SC	P	-	HMP	2	21	22	23	3, 7
1105	3'-0"x7'-0"	1-3/4"	MV1	HM	P	-	HMP	1	13	14	15	
1201	3'-0"x7'-0"	1-3/4"	AS1	AL	TP	-	AA	-	10	11	12	1
1201A	3'-0"x7'-0"	1-3/4"	MV1	HM	P	-	HMP	1	13	14	15	
1301	3'-0"x7'-0"	1-3/4"	MV1	HM	P	-	HMP	1	13	14	15	4

2 DOOR REMARKS

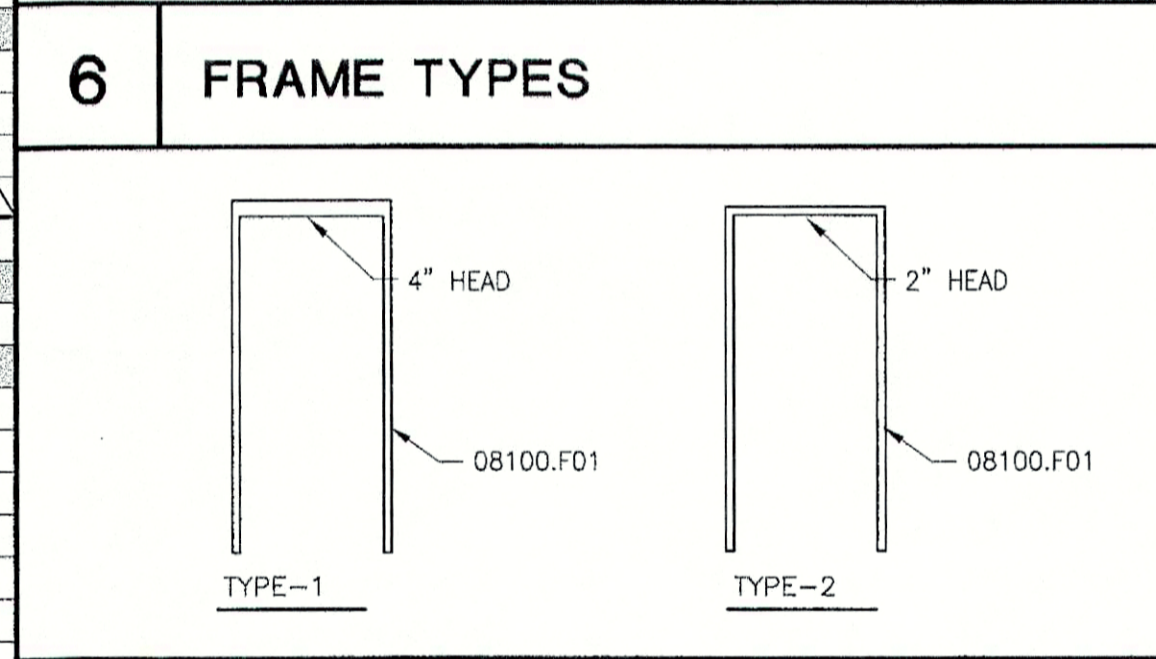
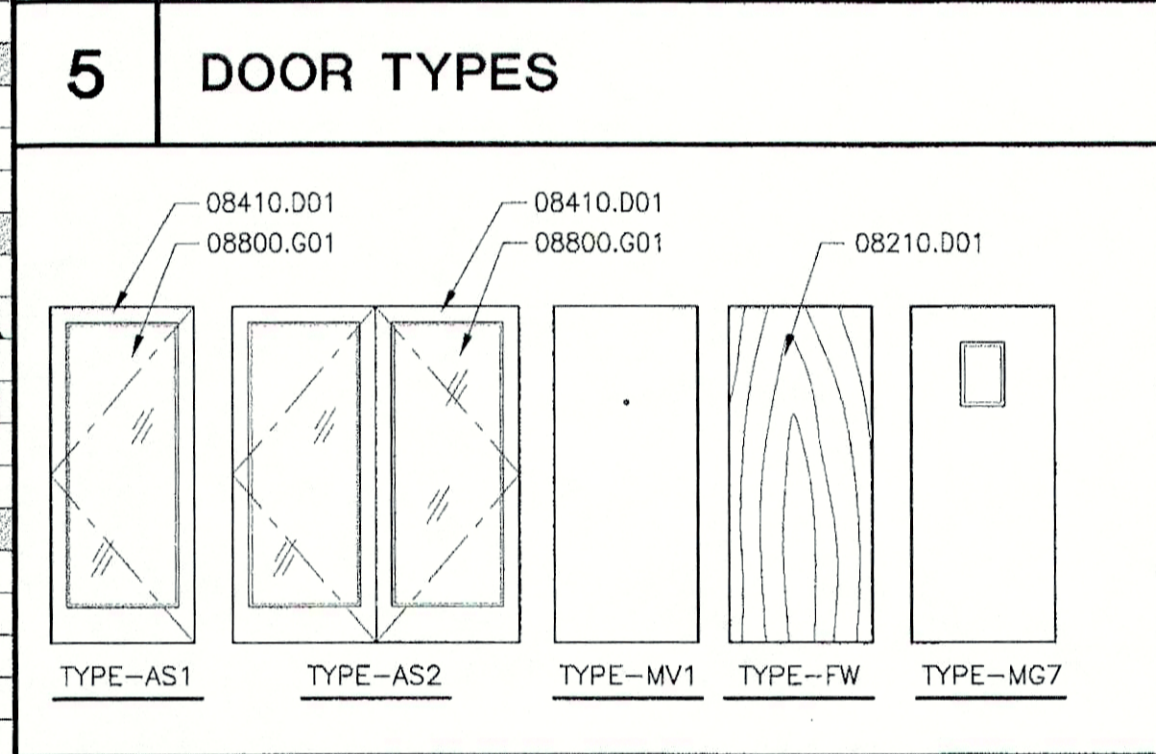
- DOOR IS PART OF STOREFRONT SYSTEM, SEE STOREFRONT SCHEDULE AND DETAILS.
- CASED OPENING
- DOOR FINISH SHOWN TO INDICATE FINISH BY TENANT. PAINTING OF DOOR IS NOT IN CONTRACT.
- VIEWER NOT PROVIDED FOR THIS DOOR.
- INSTALL CLOSER ON RECEIVING ROOM SIDE OF DOOR.
- WALL HAS EXTRA LAYER OF O.S.B., ADJUST FRAME WIDTH ACCORDINGLY.
- UNDER CUT DOOR 1"
- ONE WAY VIEWING WINDOW (12" x 12") CENTERED IN DOOR 60" A.F.F.

3 DOOR NOTES

- DOOR TYPES, SEE ELEVATION DRAWINGS 5/A2.1
- DOOR CONSTRUCTION:
SC = SOLID CORE
HC = HOLLOW CORE
HM = HOLLOW METAL
AL = ALUMINUM ANODIZED
SR = STILE AND RAIL (RAISED PANEL OR GLASS)
- FACING & FINISH
S = STAINED
P = PAINTED
PL = PLASTIC LAMINATE
AA = ALUMINUM ANODIZED
FF = FACTORY FINISH
- GLASS:
CP = CLEAR PLATE
SG = SHEET GLASS
CW = CLEAR WIRE, 1/4"
TP = TEMPERED PLATE, 1/4"
LG = LAMINATED SAFETY GLASS, 1/4"
LIG = LAMINATED/INSULATED GLASS, 1"
- 20, 45, 60, 90, 120, ETC... INDICATES MINUTES OF FIRE RATING FOR BOTH DOOR AND FRAME
- FRAME MATERIAL & FINISH:
WS = WOOD STAINED
WP = WOOD PAINTED
HMP = HOLLOW METAL PAINTED
AA = ALUMINUM ANODIZED
HMF = HOLLOW METAL PRE-FINISHED

4 KEYNOTES

04200.C04 8 x 8 x 16 C.M.U., SMOOTH FACED, RUNNING BOND
04200.C14 8 x 8 x 16 C.M.U. U-BLOCK, SMOOTH FACED, CONC. FILL W/ #5 BARS
04200.C30 8 x 8 x 16 C.M.U., SMOOTH FACED, SCORED, RUNNING BOND
05400.S05 3-5/8" MIL. STUD @ 24" O.C., GAUGE AS SHOWN IN PARENTHESIS
05400.S10 6" MIL. STUD @ 16" O.C., GAUGE AS SHOWN IN PARENTHESIS
07210.B11 BATT INSULATION: 5-1/2" THICK, R-19, KRAFT-FACED
07240.A01 E.I.F.S. OVER INSULATION BOARD, SEE DETAILS
07240.B01 1" EPS INSULATION BOARD, ADHESIVE ATTACHED
07920.S01 FLEXIBLE SEALANT
07920.S02 FLEXIBLE SEALANT W/ BACKER ROD
08100.D01 HOLLOW METAL DOOR
08100.F01 HOLLOW METAL FRAME
08210.D01 FLUSH WOOD DOOR
08410.A02 ALUM. STOREFRONT FRAMING COMPONENT
08410.D01 ALUM. STOREFRONT DOOR
08700.C01 DRIP CAP: SEE SCHEDULE
08700.T02 HANDICAPPED ACCESSIBLE THRESHOLD
08800.G01 1" INSUL. GLASS
08800.T01 1/4" CLEAR TEMPERED GLASS
09250.E02 5/8" EXTERIOR GYPSUM SHEATHING, GLASS MAT FACING
09250.W06 5/8" GYPSUM BOARD



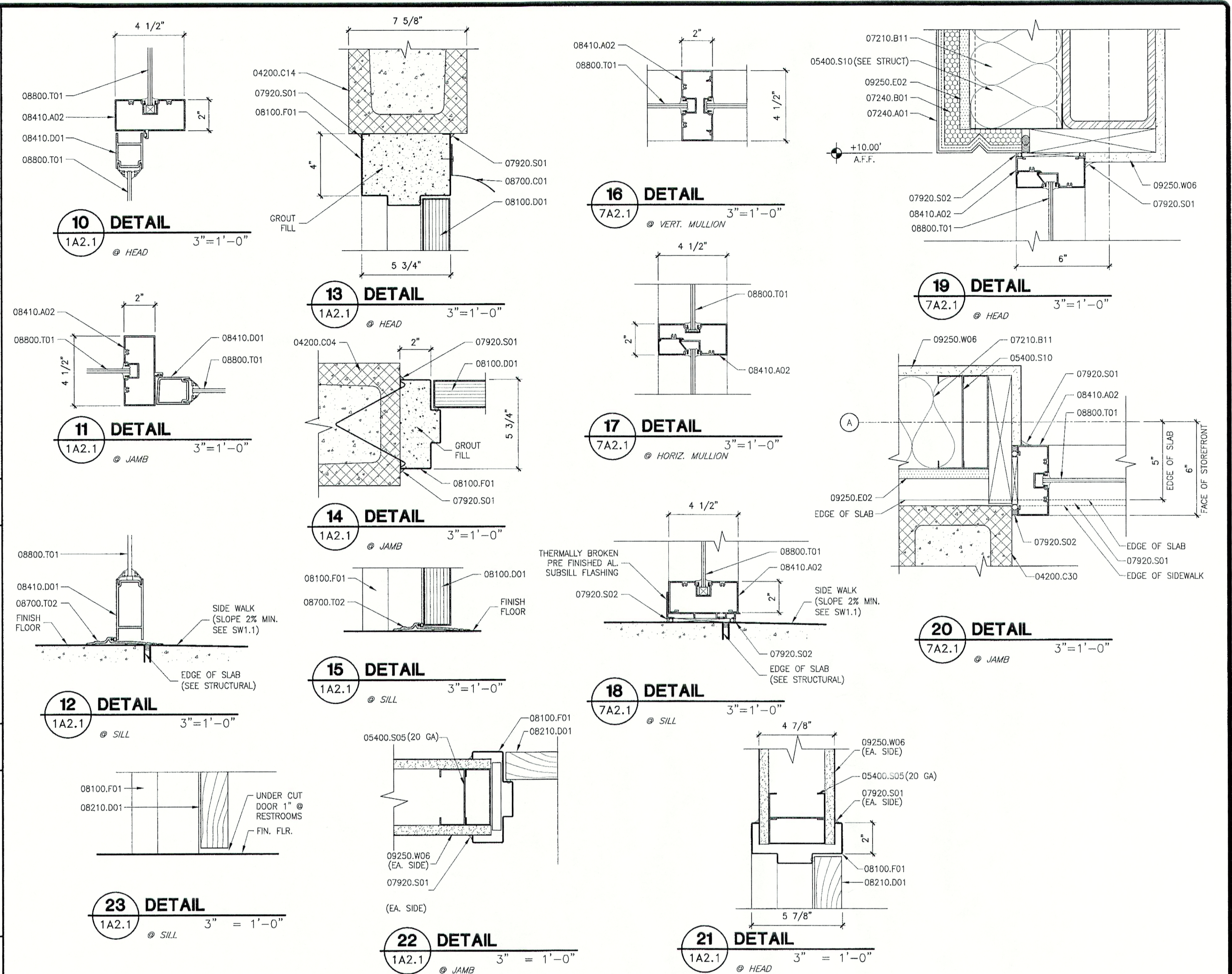
7 STOREFRONT SCHEDULE

STOREFRONT MARK	FRAME (SEE 1/A2.2)		MATERIAL (NOTE 1) (SEE 8/A2.1)	GLASS (NOTE 2) (SEE 8/A2.1)	FRAME DETAILS (REF. SHEET A2.1)			REMARKS
	TYPE	HEIGHT			H	J	S	
A	1	73'-0"	AL	SG	19	20	18	
B	2	16'-4"	AL	SG	19	20	18	
C	2	16'-8"	AL	SG	19	20	18	
D	3	31'-8"	AL	SG	19	20	18	
E	2	14'-8"	AL	SG	19	20	18	
F	4	32'-3"	AL	SG	19	20	18	
G	5	37'-7"	AL	SG	19	20	18	
H	1	56'-0"	AL	SG	19	20	18	
J	6	28'-0"	AL	SG	19	20	18	

8 STOREFRONT NOTES

1 FRAME MATERIAL
AL = ALUMINUM WD = WOOD STL = STEEL

2 GLASS
SG = SINGLE GLAZING IG = WELDED INSULATED GLASS
DG = DOUBLE GLAZING LG = LAMINATED SAFETY GLASS



9 STOREFRONT SCHEDULE

DOOR MARK	OPENING SIZE	THICKNESS	(FOR NOTES SEE 3/A2.1)						FRAME DETAILS (REF. SHEET A2.1)			REMARKS	
			DOOR TYPE (NOTE 1)	CONSTRUCTION (NOTE 2)	FINISH (NOTE 3)	GLASS (NOTE 4)	RATING (NOTE 5)	FRAME (NOTE 6)	FRAME TYPE (SEE 6/A2.1)	H	J		S
101	6'-0"x7'-0"	3/4"	AS2	AL	TP	-	AA	-	10	11	12	1	
101A	3'-0"x7'-0"	1-3/4"	MV1	HM	P	-	HMP	1	13	14	15		
101B	3'-0"x7'-0"	1-3/4"	MV1	HM	P	-	HMP	1	13	14	15		
201	3'-0"x7'-0"	1-3/4"	AS1	AL	TP	-	AA	-	10	11	12	1	
201A	3'-0"x7'-0"	1-3/4"	MV1	HM	P	-	HMP	1	13	14	15		
202	3'-0"x7'-0"	1-3/4"	FW	SC	P	-	HMP	2	21	22	23	3, 7	
301	3'-0"x7'-0"	1-3/4"	AS1	AL	TP	-	AA	-	10	11	12	1	
301A	3'-0"x7'-0"	1-3/4"	MV1	HM	P	-	HMP	1	13	14	15		
302	3'-0"x7'-0"	1-3/4"	FW	SC	P	-	HMP	2	21	22	23	3, 7	
401	3'-0"x7'-0"	1-3/4"	AS1	AL	TP	-	AA	-	10	11	12	1	
401A	3'-0"x7'-0"	1-3/4"	MV1	HM	P	-	HMP	1	13	14	15		
402	3'-0"x7'-0"	1-3/4"	FW	SC	P	-	HMP	2	21	22	23	3, 7	
501	3'-0"x7'-0"	1-3/4"	AS1	AL	TP	-	AA	-	10	11	12	1	
501A	3'-0"x7'-0"	1-3/4"	MV1	HM	P	-	HMP	1	13	14	15		
502	3'-0"x7'-0"	1-3/4"	FW	SC	P	-	HMP	2	21	22	23	3, 7	
601	3'-0"x7'-0"	1-3/4"	AS1	AL	TP	-	AA	-	10	11	12	1	
601A	3'-0"x7'-0"	1-3/4"	MV1	HM	P	-	HMP	1	13	14	15		
602	3'-0"x7'-0"	1-3/4"	FW	SC	P	-	HMP	2	21	22	23	3, 7	
603	3'-0"x7'-0"	1-3/4"	FW	SC	P	-	HMP	2	21	22	23	3, 7	
701	3'-0"x7'-0"	1-3/4"	AS1	AL	TP	-	AA	-	10	11	12	1	
701A	3'-0"x7'-0"	1-3/4"	MV1	HM	P	-	HMP	1	13	14	15		
702	3'-0"x7'-0"	1-3/4"	FW	SC	P	-	HMP	2	21	22	23	3, 7	
801	3'-0"x7'-0"	1-3/4"	AS1	AL	TP	-	AA	-	10	11	12	1	
801A	3'-0"x7'-0"	1-3/4"	MV1	HM	P	-	HMP	1	13	14	15		
802	3'-0"x7'-0"	1-3/4"	FW	SC	P	-	HMP	2	21	22	23	3, 7	
803	3'-0"x7'-0"	1-3/4"	FW	SC	P	-	HMP	2	21	22	23	3, 7	
901	6'-0"x7'-0"	3/4"	AS2	AL	TP	-	AA	-	10	11	12	1	
902	3'-0"x7'-0"	1-3/4"	FW	SC	P	-	HMP	2	21	22	23	3, 5	
902A	3'-0"x7'-0"	1-3/4"	MV1	HM	P	-	HMP	1	13	14	15		
903	3'-0"x7'-0"	1-3/4"	FW	SC	P	-	HMP	2	21	22	23	3, 7	
904	3'-0"x7'-0"	1-3/4"	FW	SC	P	-	HMP	2	21	22	23	3, 7	
905	3'-0"x7'-0"	1-3/4"	MV1	HM	P	-	HMP	1	13	14	15		
906	3'-0"x7'-0"	1-3/4"	FW	SC	P	-	HMP	2	21	22	23	3	
1001	6'-0"x7'-0"	3/4"	AS2	AL	TP	-	AA	-	10	11	12	1	
1002	3'-0"x7'-0"	1-3/4"	WG7	SC	P	-	HMP	2	21	22	23	8	
1002A	3'-0"x7'-0"	1-3/4"	MV1	HM	P	-	HMP	1	13	14	15		
1003	3'-0"x7'-0"	1-3/4"	FW	SC	P	-	HMP	2	21	22	23	3, 7	
1004	3'-0"x7'-0"	1-3/4"	FW	SC	P	-	HMP	2	21	22	23	3, 7	
1005	3'-0"x7'-0"	1-3/4"	FW	SC	P	-	HMP	2	21	22	23	3	
1101	6'-0"x7'-0"	3/4"	AS2	AL	TP	-	AA	-	10	11	12	1	
1102	3'-0"x7'-0"	1-3/4"	FW	SC	P	-	HMP	2	21	22	23	3, 5	
1102A	3'-0"x7'-0"	1-3/4"	MV1	HM	P	-	HMP	1	13	14	15		
1103	3'-0"x7'-0"	1-3/4"	FW	SC	P	-	HMP	2	21	22	23	3, 7	
1104	3'-0"x7'-0"	1-3/4"	FW	SC	P	-	HMP	2	21	22	23	3, 7	
1105	3'-0"x7'-0"	1-3/4"	MV1	HM	P	-	HMP	1	13	14	15		
1201	3'-0"x7'-0"	1-3/4"	AS1	AL	TP	-	AA	-	10	11	12	1	
1201A	3'-0"x7'-0"	1-3/4"	MV1	HM	P								