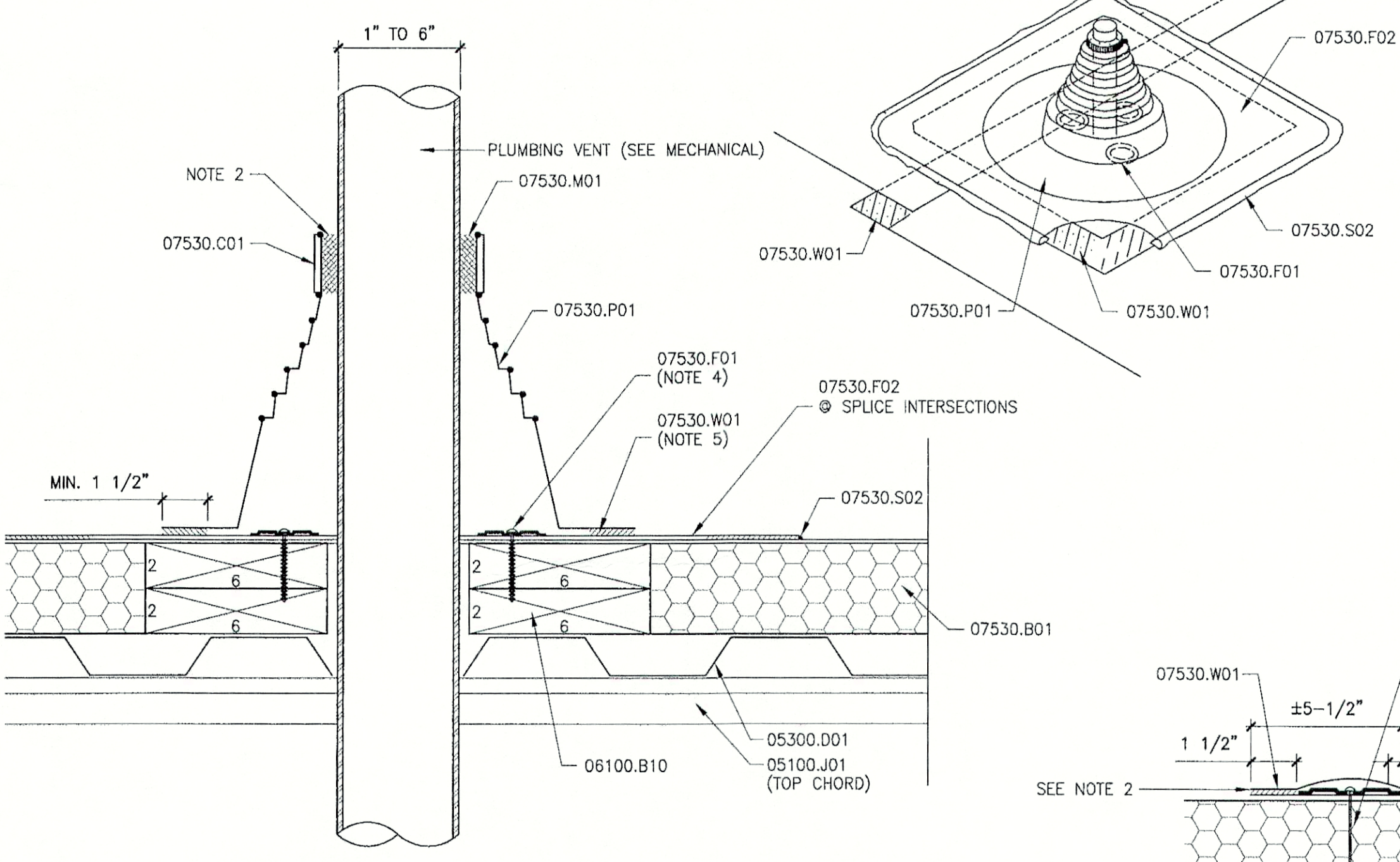
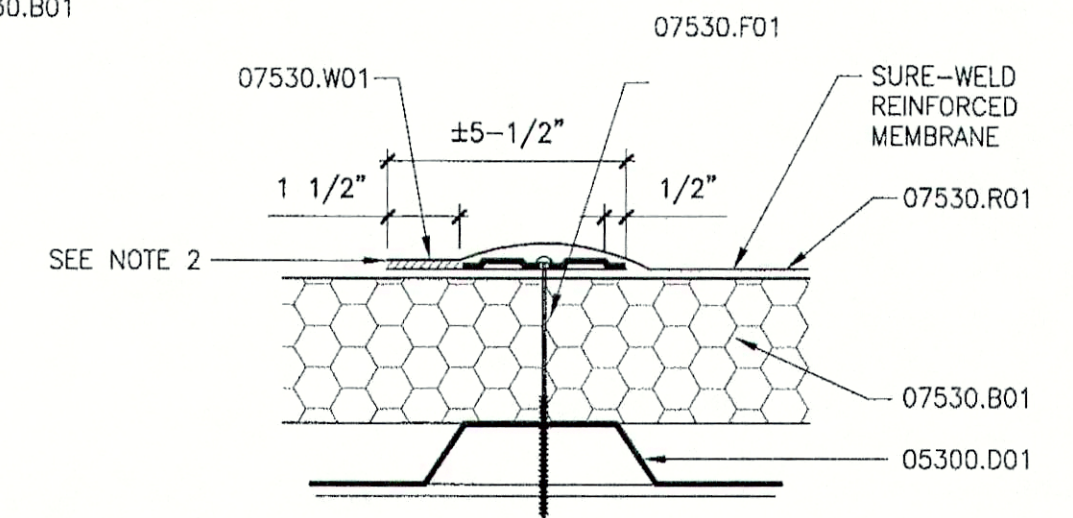


1 ROOF PLAN
1/16" = 1'-0"



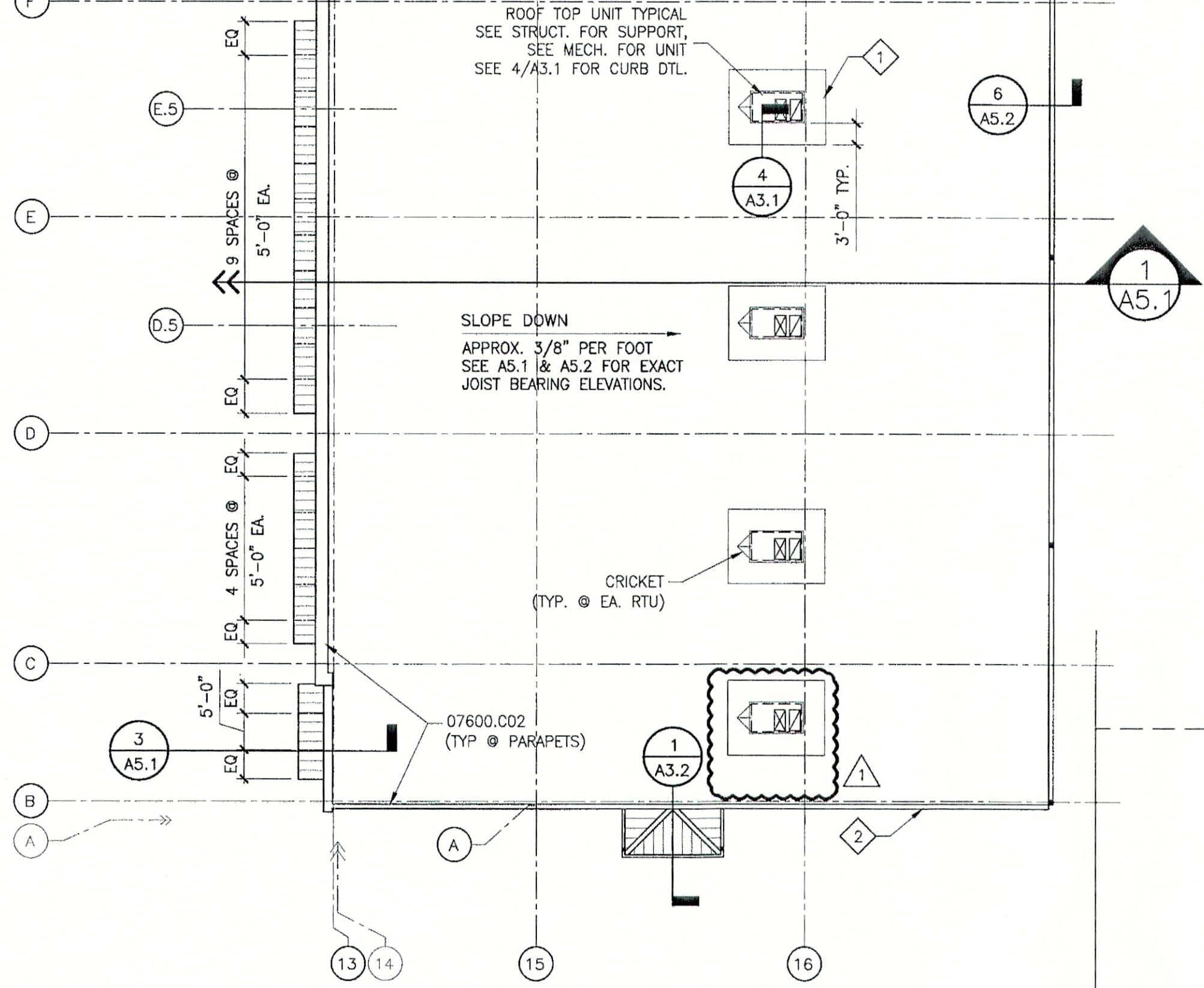
2 ROOF DETAIL
1A3.1 3" = 1'-0"
PIPE PENETRATION

- NOTES:
- REMOVE ALL LEAD AND OTHER FLASHING
 - TEMPERATURE OF PIPE MUST NOT EXCEED 120°F (49°C).
 - PIPE SEAL MUST HAVE INTACT RIB AT TOP EDGE, REGARDLESS OF PIPE DIAMETER.
 - INSTALL 3 FASTENERS AND PLATES AROUND PIPE EQUALLY SPACED. FASTENERS MAY ALSO BE POSITIONED MAXIMUM 12" FROM PIPE, FASTENED 12" ON CENTER AND FLASHED WITH SURE-WELD REINFORCED MEMBRANE.
 - PIPE FLASHING DECK FLANGE MUST BE HOT AIR WELDED A MINIMUM OF 1-1/2" BEYOND FASTENING PLATES.
 - INSTALL A SECTION OF SURE-WELD REINFORCED MEMBRANE OVER SPLICE INTERSECTIONS PRIOR TO INSTALLING PRE-MOLDED PIPE FLASHING.



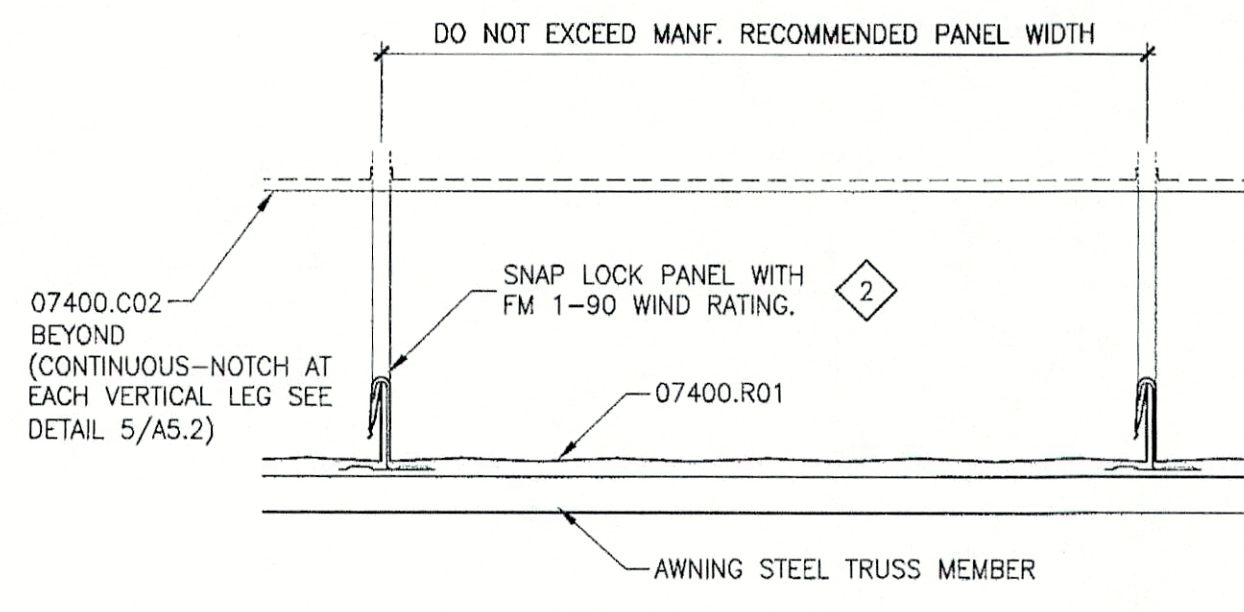
3 ROOF DETAIL
2A5.2 3" = 1'-0"
LAP CROSS SECTION

- NOTES:
- POSITION SEAM FASTENING PLATES BEYOND NON-REINFORCED ENCAPSULATED EDGE.
 - APPROXIMATELY 1/8" DIAMETER BEAD OF CUT-EDGE SEALANT IS REQUIRED ON CUT EDGES OF SURE-WELD REINFORCED MEMBRANE.
 - FASTENER SPACING AND PLACEMENT SHALL BE PER MANUFACTURER'S WRITTEN RECOMMENDATIONS FOR THE FM RATING SPECIFIED.



4 ROOF DETAIL
1A3.1 3" = 1'-0"
EQUIPMENT CURB

- NOTES:
- APPLY HEAT ALONG ANGLE CHANGE AND BEND MEMBRANE TO LIMIT BRIDGING TO 3/4" MAXIMUM.
 - FLASHING MEMBRANE FASTENED APPROXIMATELY 12" ON CENTER. IF FASTENER PENETRATES METAL COUNTER FLASHING, USE NEOPRENE WASHER OR APPLY WATER CUT-OFF MASTIC UNDER COUNTER FLASHING OR CAULK FASTENER HEAD.
 - APPROXIMATELY 1/8" BEAD OF CUT-EDGE SEALANT IS REQUIRED ON CUT EDGES OF SURE-WELD REINFORCED MEMBRANE.
 - REFER TO SPECIFICATION FOR ACCEPTABLE FASTENERS AND PLATES.
 - FOR CORNER FLASHING, PROVIDE PRE-MOLDED OUTSIDE CORNERS PER MANUFACTURER'S RECOMMENDATION.



5 ROOF DETAIL
1A3.1 3" = 1'-0"
TYP. ROOF PANEL PROFILE

6 KEYNOTES

05100.J01	STEEL BAR JOIST, SEE STRUCTURAL
05300.D01	STEEL DECK, SEE STRUCTURAL
06100.B10	TREATED WOOD BLOCKING AS REQ'D
07400.C02	24 GA. PREFIN. METAL CLOSURE CLIP
07400.R01	24 GA. PREFIN. METAL STANDING SEAM ROOF
07530.B01	3" POLYISO. BD. WITH MED-WT. FIBER REINF. FELT FACED, MECH. FASTENED
07530.B02	SYNTHETIC RUBBER ADHESIVE APPLIED TO BOTH SURFACES PER MANUF. RECOMMENDATIONS
07530.C01	STAINLESS STEEL CLAMPING RING
07530.F01	HEAVY DUTY #15 THREADED FASTENER WITH 2-3/8" DIA. METAL BARBED FASTENING PLATE
07530.F02	SINGLE CONTINUOUS SHEET REINFORCED FLASHING MEMBRANE
07530.M01	T.P.O. WATER CUT-OFF MASTIC
07530.P01	PRE-MOLDED PIPE FLASHING
07530.R01	T.P.O. MEMBRANE, MECH. FASTENED
07530.S02	T.P.O. MEMBRANE SEALANT
07530.W01	HOT AIR WELD PER MFG. RECOMMENDATION
07600.C02	24 GA. PREFIN. METAL COPING
07600.D02	24 GAUGE PREFIN. METAL DOWNSPOUT
07600.F03	COUNTER FLASHING (W/NEOPRENE WASHER @ 12" O.C.)
07600.G01	24 GA. PREFIN. MTL. GUTTER

7 SPECIFIC NOTES

- ROOF WALK PADS WHERE SHOWN, VERIFY EXACT LOCATIONS WITH HVAC UNITS
- EXPOSED FASTENERS WILL ONLY BE ALLOWED WITH PRIOR APPROVAL OF OWNER.

NOTE: THE ROOF AS SPECIFIED AND DETAILED SHALL BE A MECHANICALLY FASTENED 60 MIL. TPO MEMBRANE. CONTRACTOR SHALL PROVIDE AN ALTERNATE BID FOR AN EPDM AND MODIFIED BITUMEN ROOF SYSTEM PER THE PROJECT SPECIFICATIONS. AN ALTERNATE ROOF SYSTEM SHALL NOT BE INSTALLED WITHOUT PRIOR APPROVAL FROM THE ARCHITECT AND DEVELOPER. IF AN ALTERNATE SYSTEM IS APPROVED FOR USE THE CONTRACTOR SHALL SUBMIT FULL SHOP DRAWINGS INCLUDING MFG. DATA SHEETS, AS WELL AS PROPOSED ROOF LAYOUT AND DETAILS.

DATE	DESCRIPTION	BY
9/17/07	LMR	

DDG DUPLANTIS DESIGN GROUP, PC
Respect • Integrity • Client Satisfaction • Excellence
THIBODAUX MANDEVILLE HOUSTON
Civil Engineering • Site Development • Land Planning • Public Works • Architecture
3144 Thibodaux, Louisiana 70301
Phone: 985.447.2029

Signature: *Stu M...*
Date: 9/17/07
Professional Seal: STATE OF LOUISIANA, PROFESSIONAL ENGINEER, CIVIL ENGINEERING, No. 11171, Exp. 12/31/10

PROPOSED RETAIL DEVELOPMENT
CITY OF BOULTE
ST. CHARLES PARISH, LOUISIANA
FOR THE SPECTRA GROUP, INC.
MEMPHIS, TENNESSEE

DRAWN	LMR
CHECKED	SMV
DATE	8/13/07
SCALE	AS NOTED ON DWG
PROJECT NO.	07-205A
FILE:	REVISION 1/A3-1.DWG
SHEET	A3.1