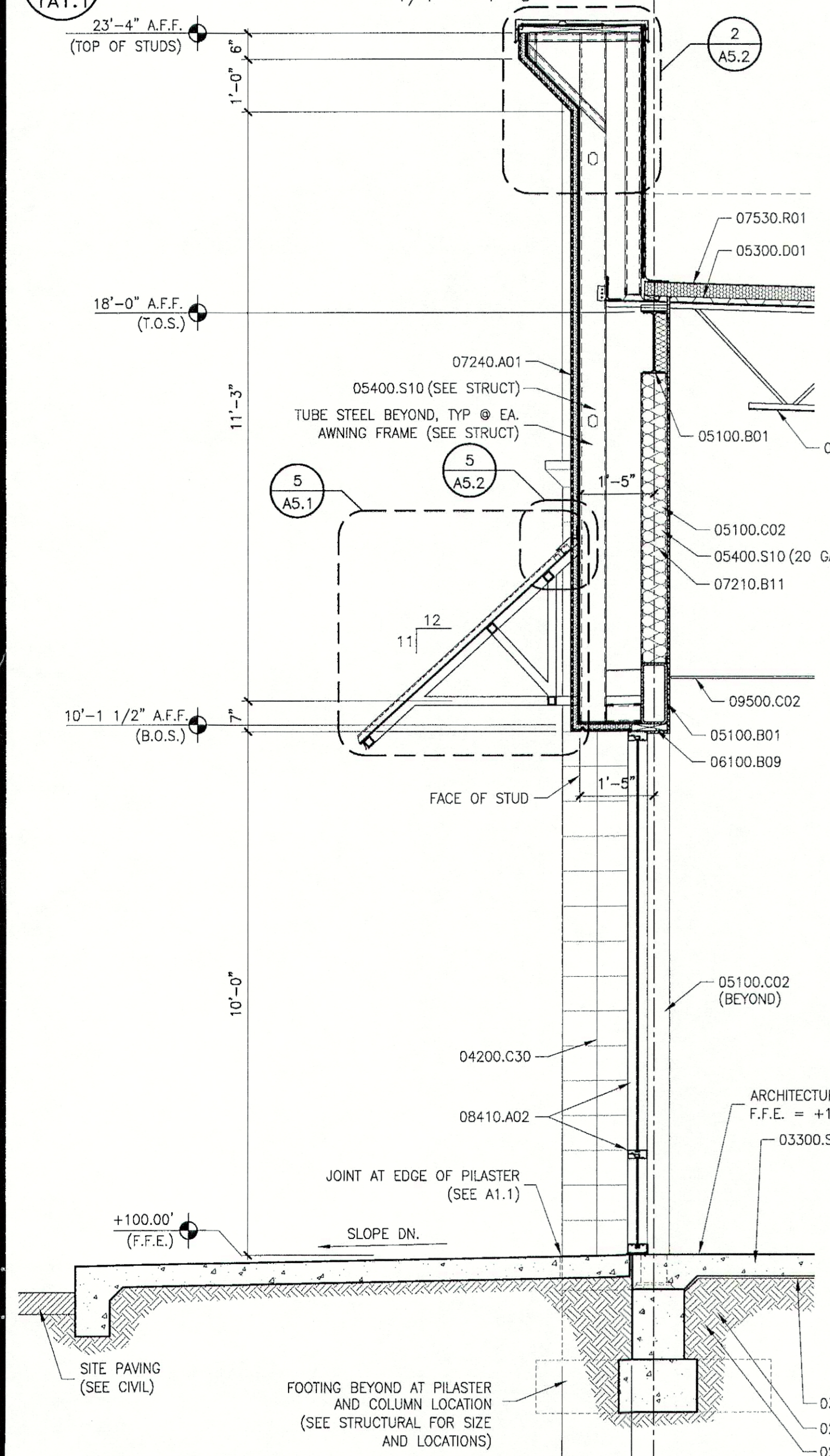
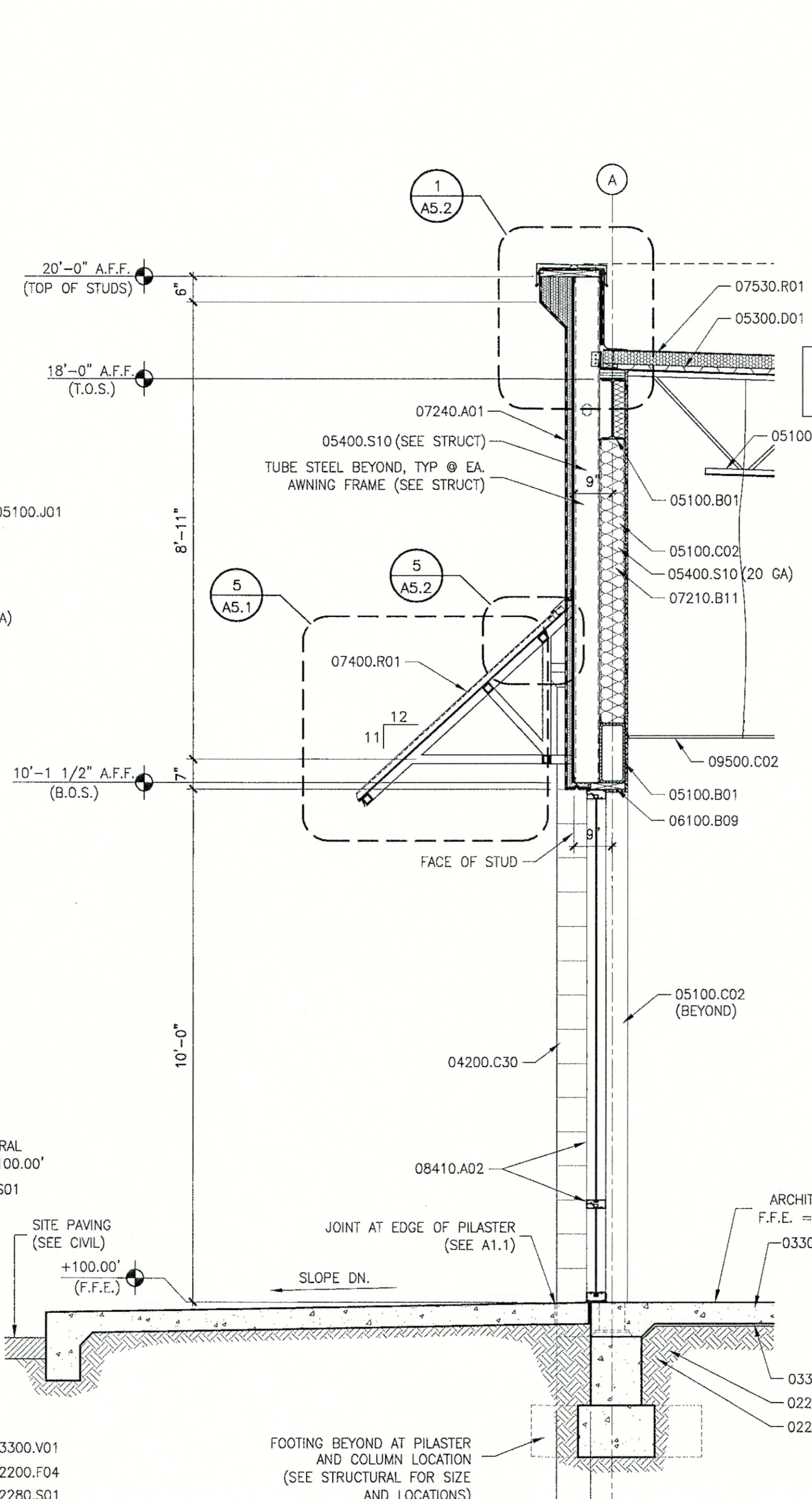


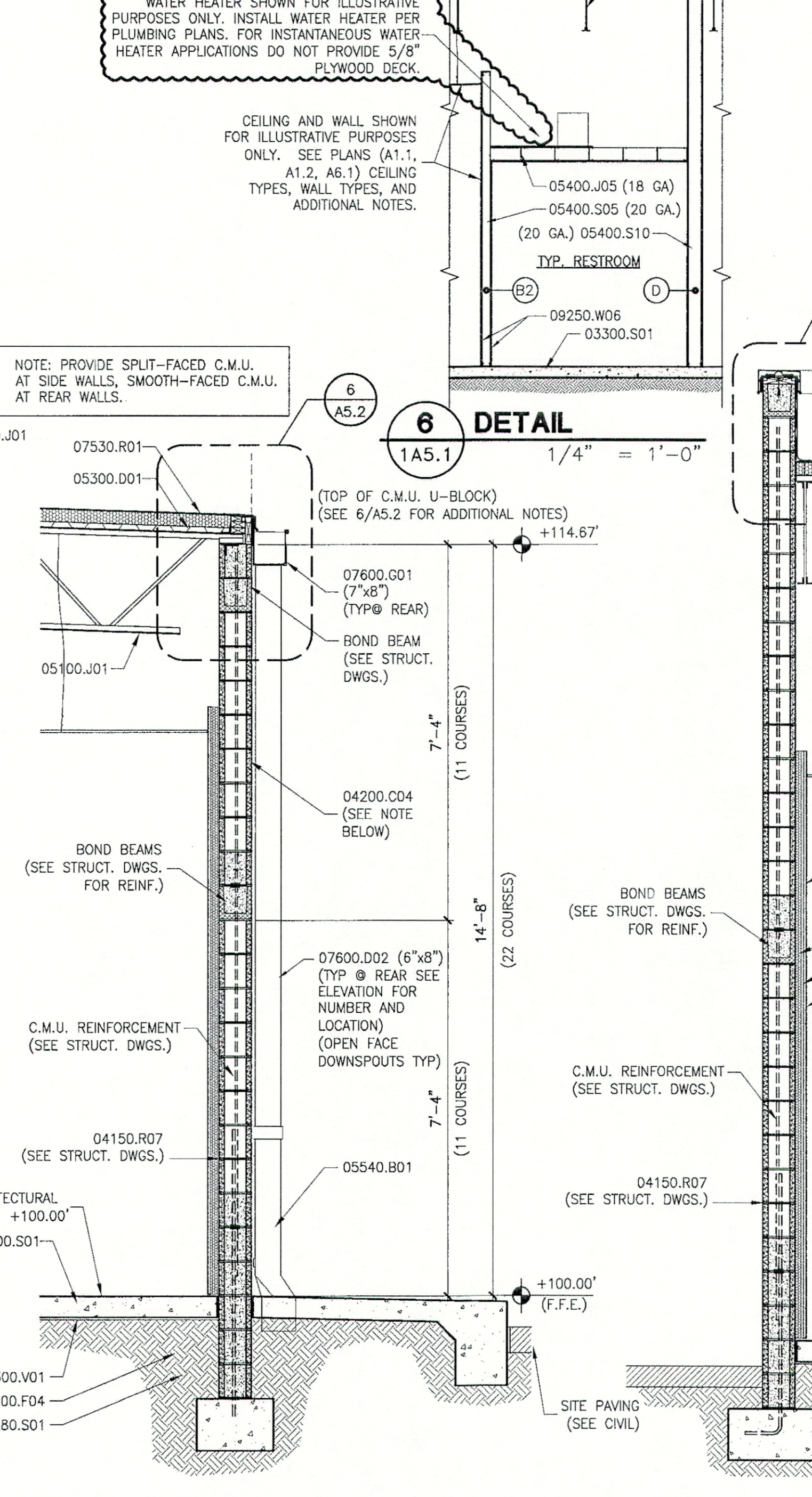
**1 SECTION**  
1A1.1



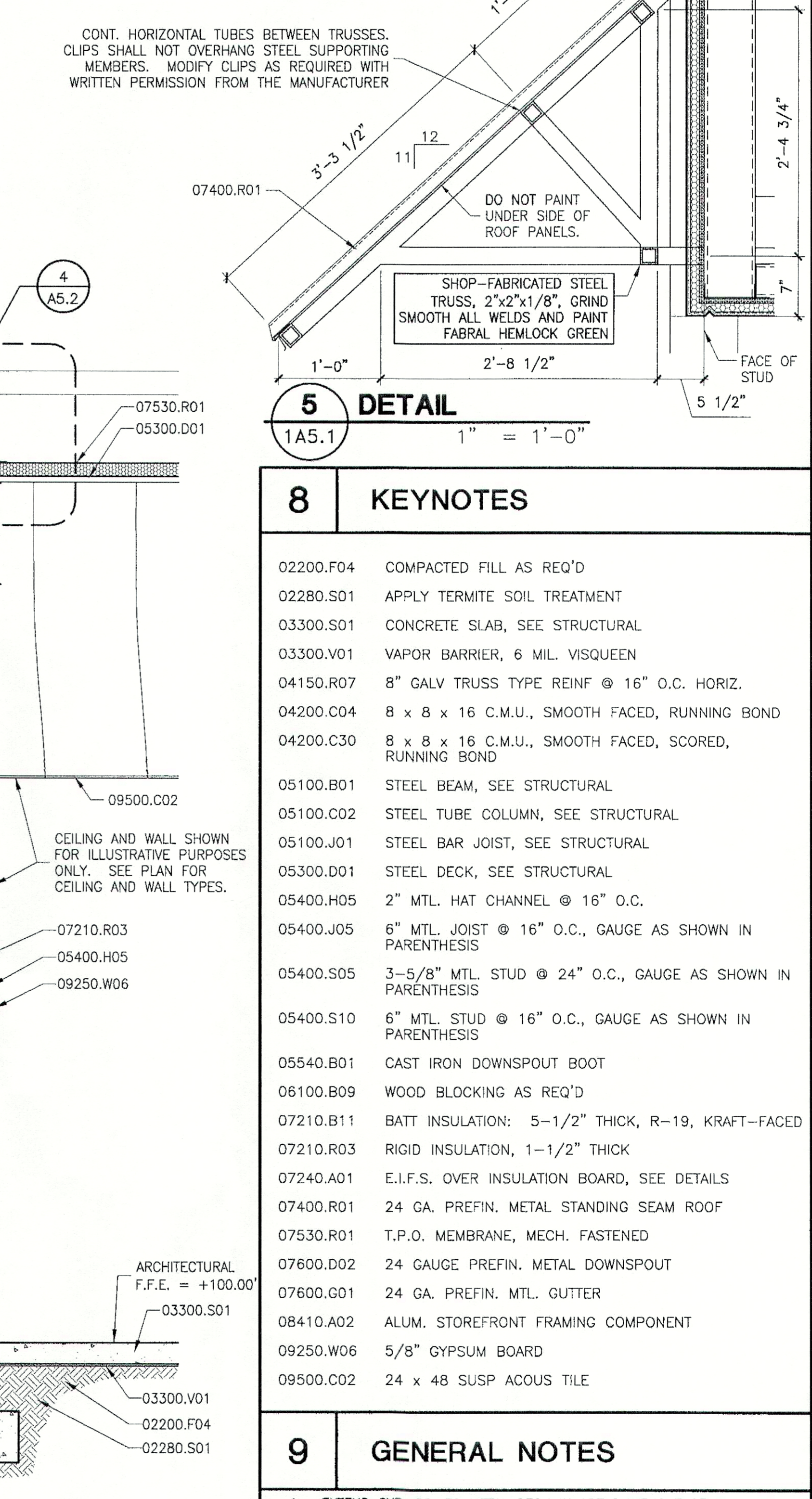
**2 DETAIL**  
1A5.1



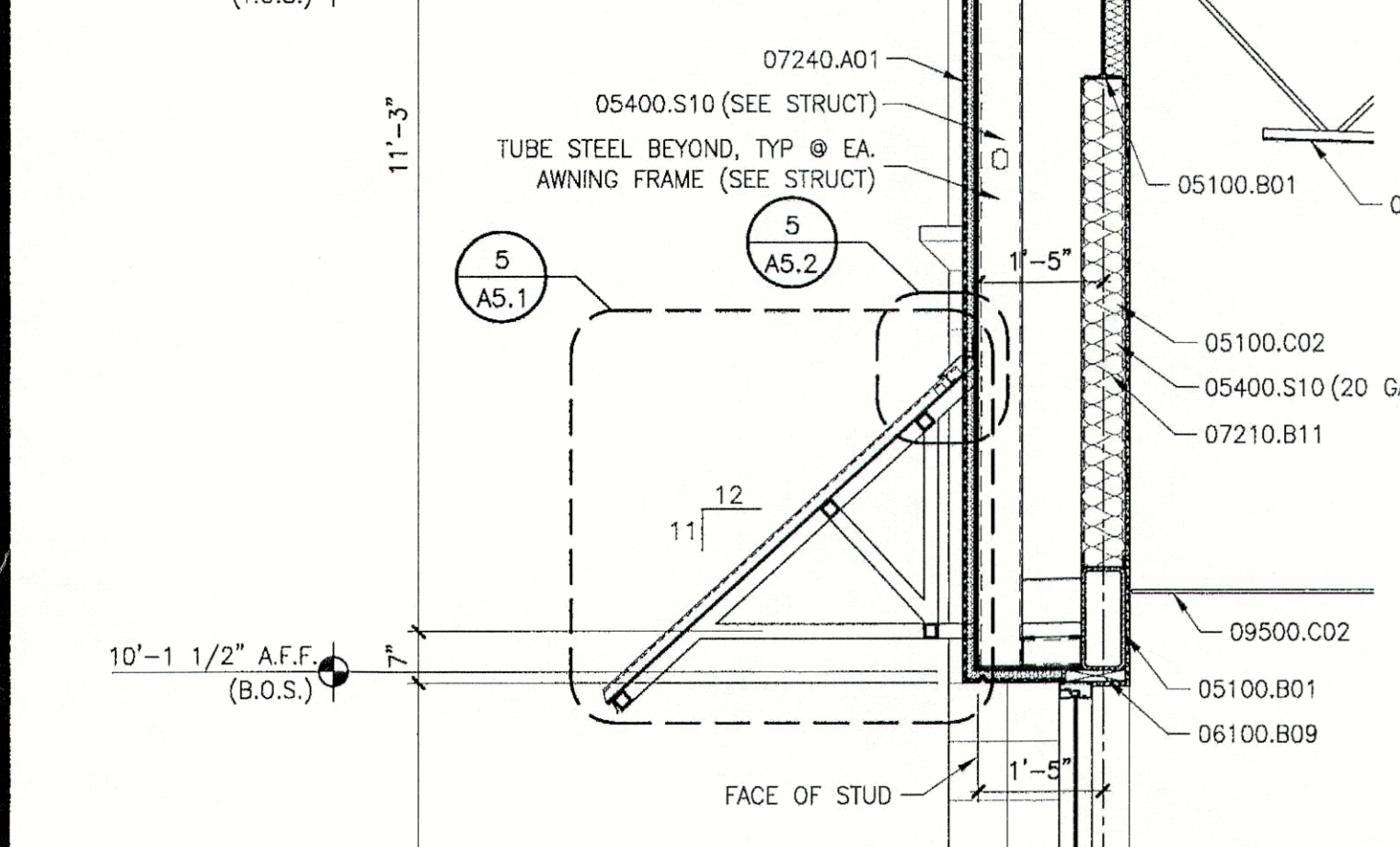
**3 DETAIL**  
1A5.1



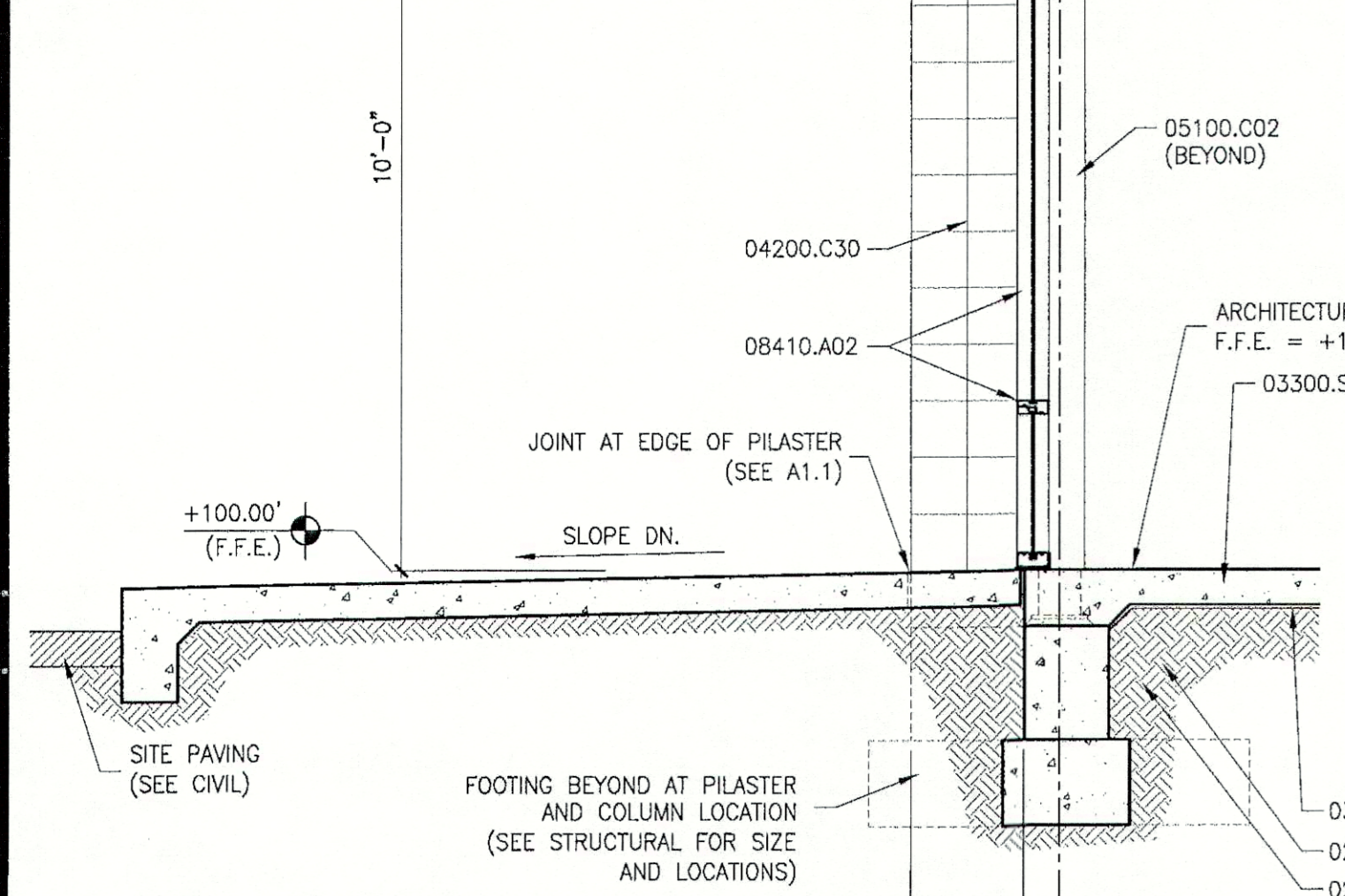
**4 DETAIL**  
1A5.1



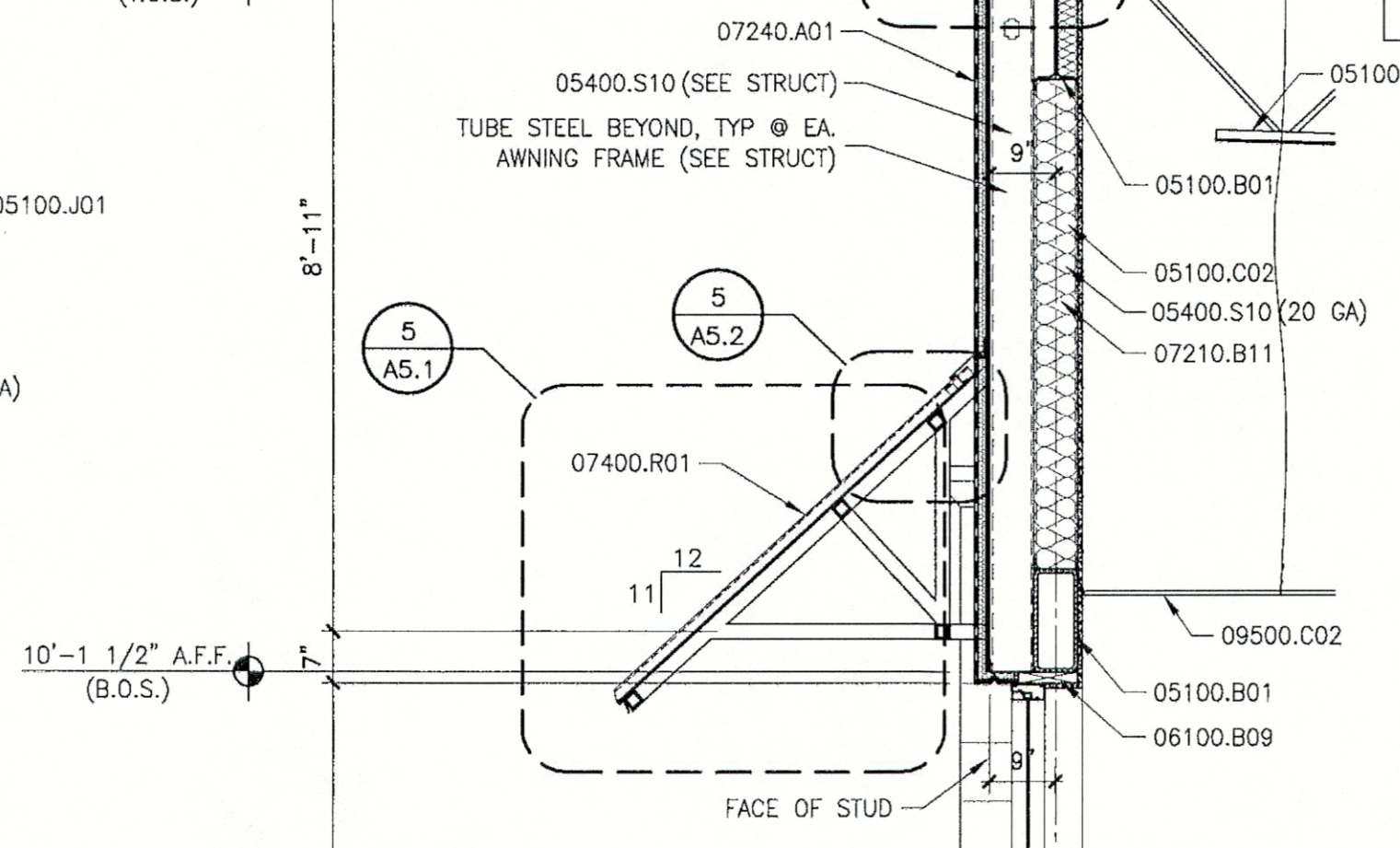
**5 DETAIL**  
1A5.1



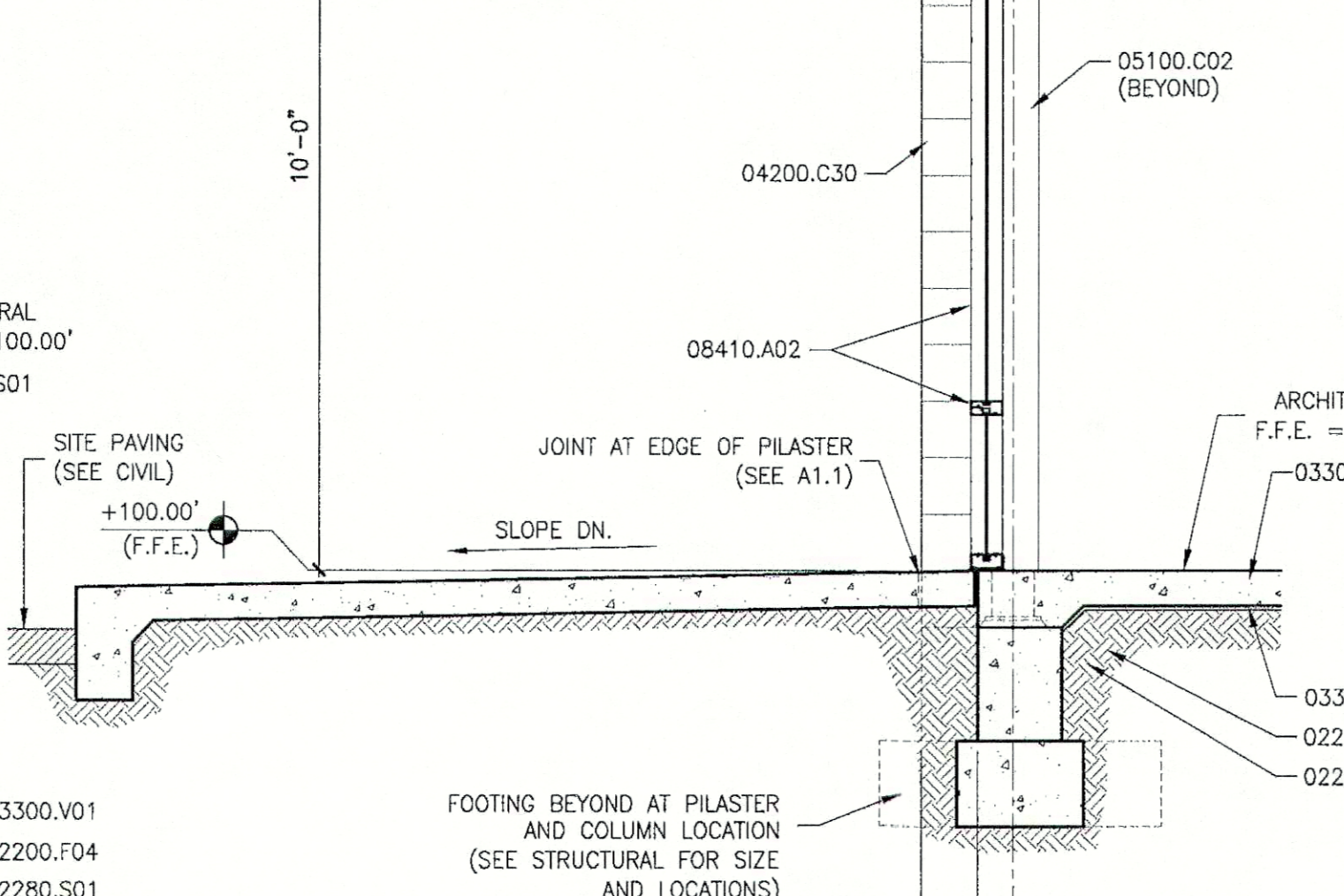
**6 DETAIL**  
1A5.1



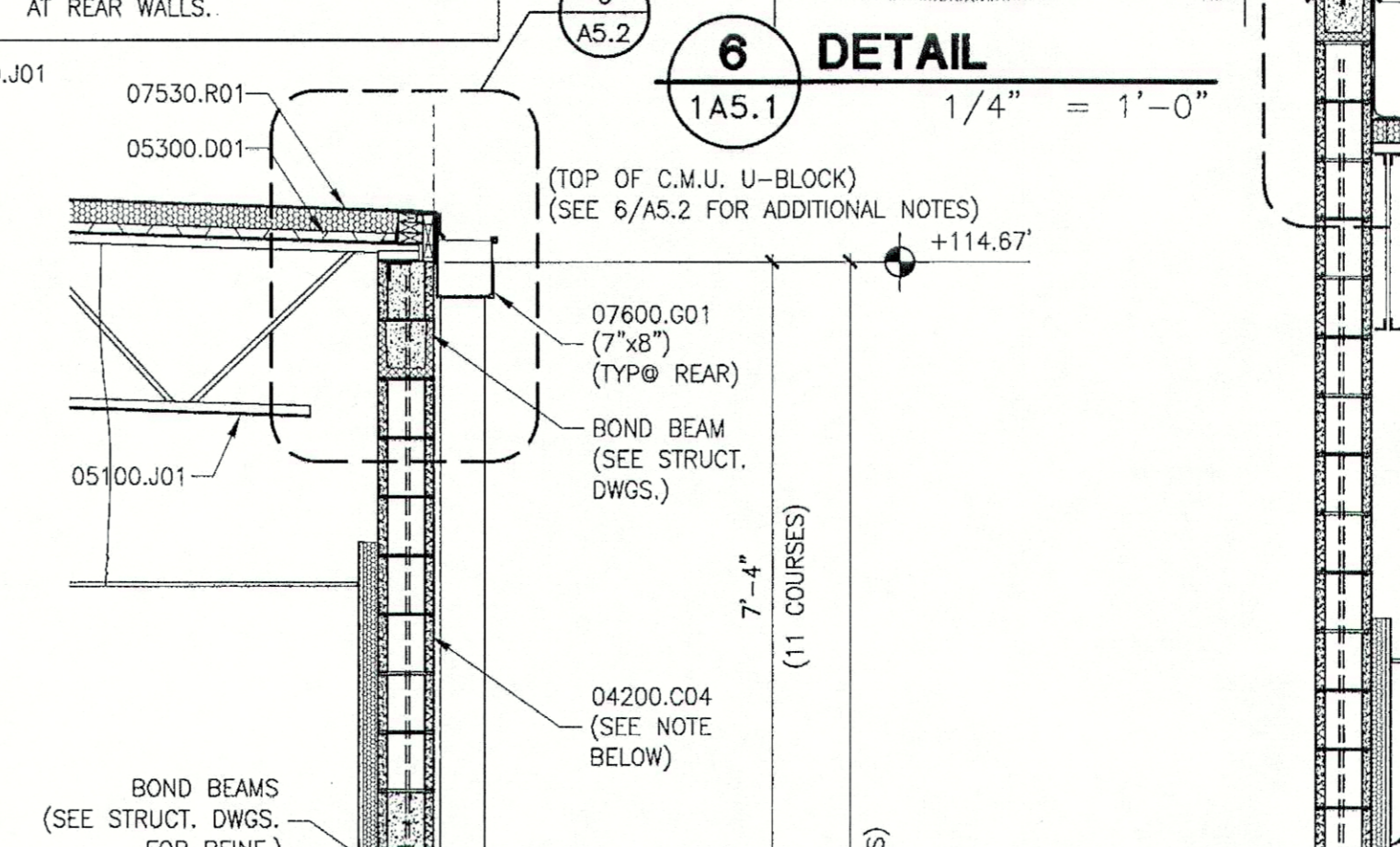
**7 DETAIL**  
1A5.1



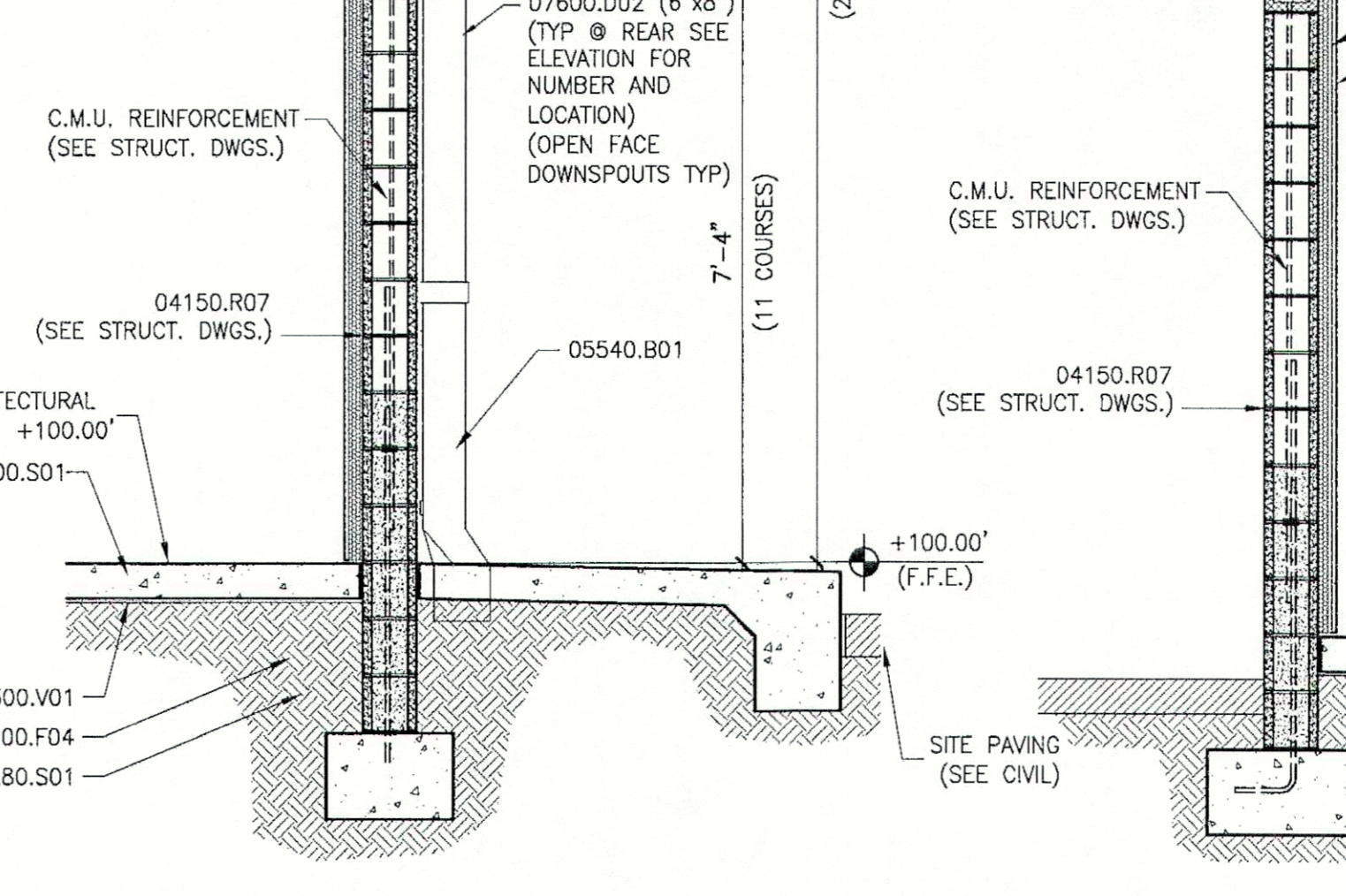
**8 DETAIL**  
1A5.1



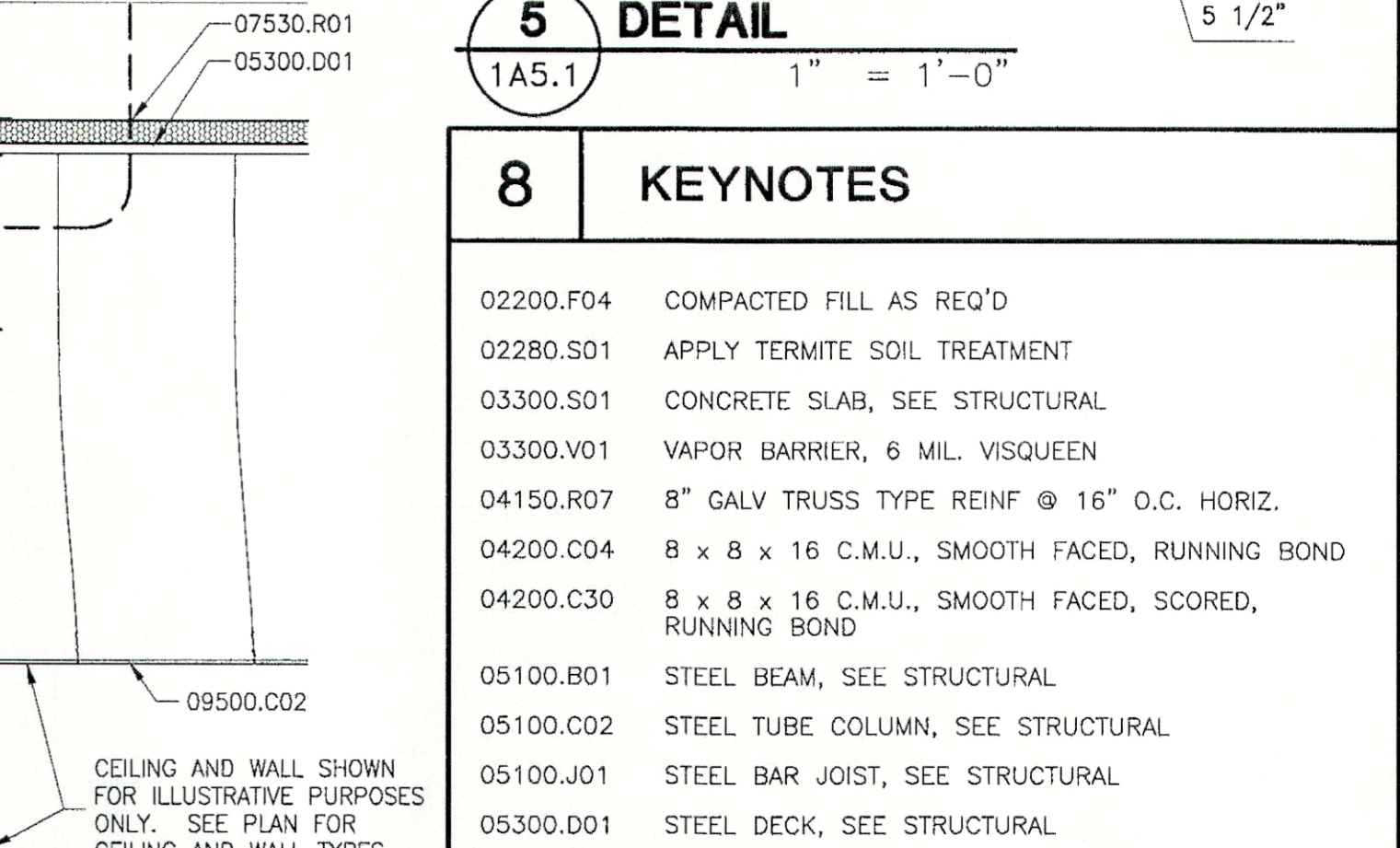
**9 DETAIL**  
1A5.1



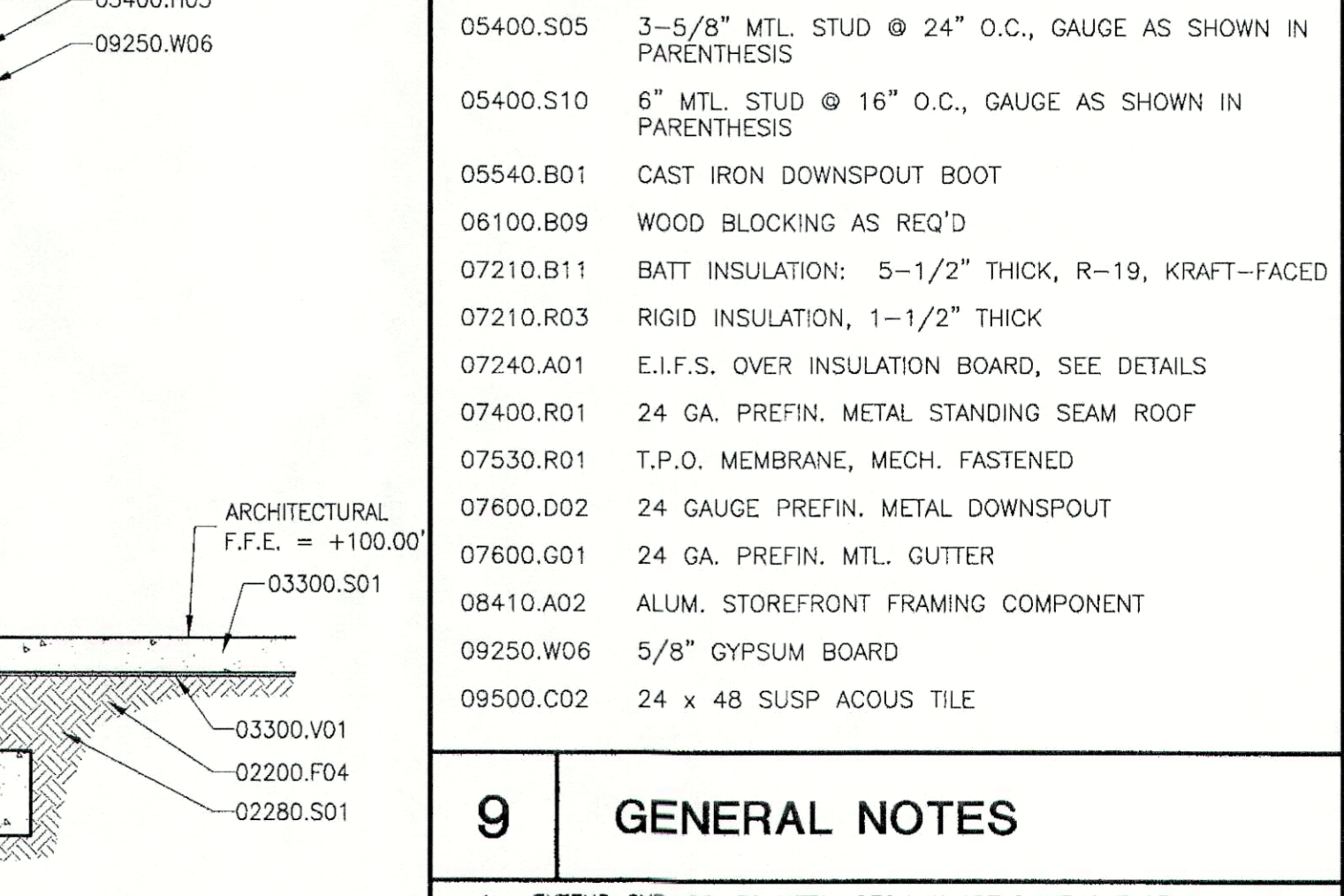
**10 DETAIL**  
1A5.1



**11 DETAIL**  
1A5.1



**12 DETAIL**  
1A5.1



**13 DETAIL**  
1A5.1

**8 KEYNOTES**

- 02200.F04 COMPACTED FILL AS REQ'D
- 02280.S01 APPLY TERMITE SOIL TREATMENT
- 03300.S01 CONCRETE SLAB, SEE STRUCTURAL
- 03300.V01 VAPOR BARRIER, 6 MIL. VISQUEEN
- 04150.R07 8" GALV TRUSS TYPE REIN @ 16" O.C. HORIZ.
- 04200.C04 8 x 8 x 16 C.M.U., SMOOTH FACED, RUNNING BOND
- 04200.C30 8 x 8 x 16 C.M.U., SMOOTH FACED, SCORED, RUNNING BOND
- 05100.B01 STEEL BEAM, SEE STRUCTURAL
- 05100.C02 STEEL TUBE COLUMN, SEE STRUCTURAL
- 05100.J01 STEEL BAR JOIST, SEE STRUCTURAL
- 05300.D01 STEEL DECK, SEE STRUCTURAL
- 05400.H05 2" MTL. HAT CHANNEL @ 16" O.C.
- 05400.J05 6" MTL. JOIST @ 16" O.C., GAUGE AS SHOWN IN PARENTHESIS
- 05400.S05 3-5/8" MTL. STUD @ 24" O.C., GAUGE AS SHOWN IN PARENTHESIS
- 05400.S10 6" MTL. STUD @ 16" O.C., GAUGE AS SHOWN IN PARENTHESIS
- 05540.B01 CAST IRON DOWNSPOUT BOOT
- 06100.B09 WOOD BLOCKING AS REQ'D
- 07210.B11 BATT INSULATION: 5-1/2" THICK, R-19, KRAFT-FACED
- 07210.R03 RIGID INSULATION, 1-1/2" THICK
- 07240.A01 E.I.F.S. OVER INSULATION BOARD, SEE DETAILS
- 07400.R01 24 GA. PREFIN. METAL STANDING SEAM ROOF
- 07530.R01 T.P.O. MEMBRANE, MECH. FASTENED
- 07600.D02 24 GAUGE PREFIN. METAL DOWNSPOUT
- 07600.G01 24 GA. PREFIN. MTL. GUTTER
- 08410.A02 ALUM. STOREFRONT FRAMING COMPONENT
- 09250.W06 5/8" GYPSUM BOARD
- 09500.C02 24 x 48 SUSP ACOUS TILE

**9 GENERAL NOTES**

1. EXTEND GYP. BD. TO METAL DECK IN AREAS WITHOUT CEILINGS. IN AREAS WITH CEILINGS INSTALL GYP. BD. 6" ABOVE CEILING HEIGHT.
2. INSTALL 5/8" GYP. BD. ON 2" METAL HAT CHANNEL @ 16" O.C. WITH 1 1/2" RIGID INSULATION ON ALL MASONRY WALLS.

REV #	DATE	DESCRIPTION	BY
9/17/07		LMR	

**DDG DUPLANTIS DESIGN GROUP, PC**  
 Respect • Integrity • Client Satisfaction • Excellence  
 THIBODAUX, LOUISIANA  
 MANDREVILLE, LOUISIANA  
 HOUSTON, TEXAS  
 Civil Engineering • Site Development • Land Planning • Public Works • Architecture  
 314 East Bayou Road  
 Phone: 985-447-0000  
 Fax: 985-447-1000

STAMP  
 M. VIGORIE ARCHITECT  
 512  
 STATE REGISTERED  
 9/17/07  
 DATE

PROPOSED RETAIL DEVELOPMENT  
 CITY OF BOULTE  
 ST. CHARLES PARISH, LOUISIANA  
 FOR THE SPECTRA GROUP, INC.  
 MEMPHIS, TENNESSEE

DRAWN LMR  
 CHECKED SMV  
 DATE 8/13/07  
 SCALE AS NOTED ON DWG  
 PROJECT NO. 07-205A  
 FILE: REVISION 1A5-1DWG  
 SHEET  
**A5.1**