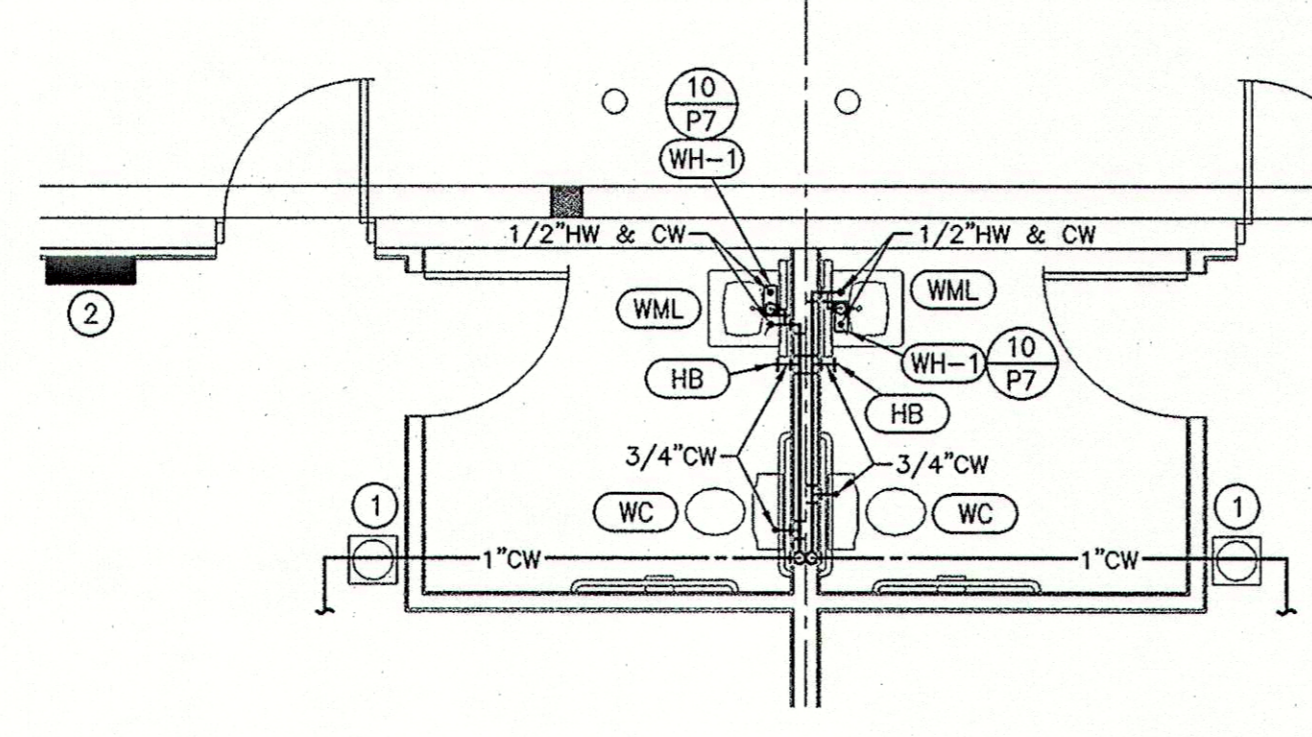
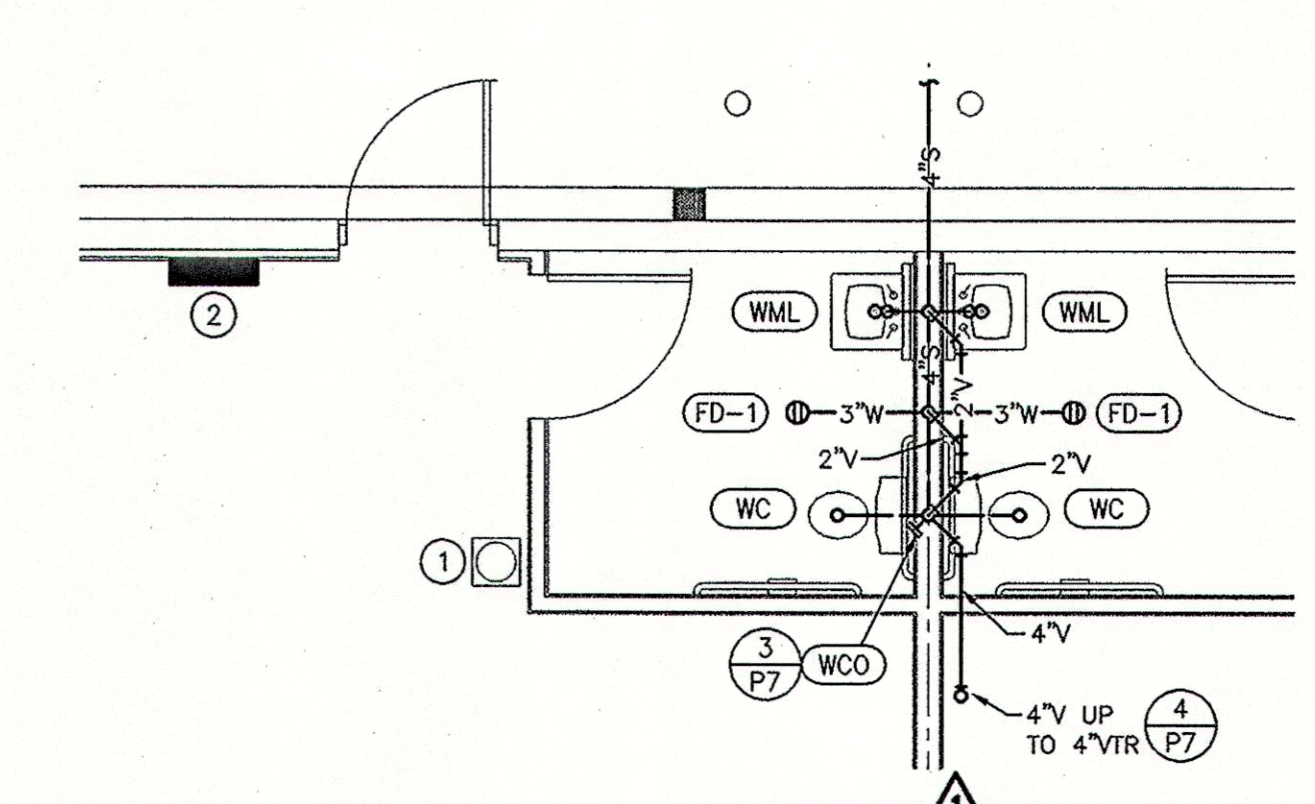


3 TENANT "F","H"  
ENLARGED SANITARY PLAN  
SCALE: 1/4"=1'-0"

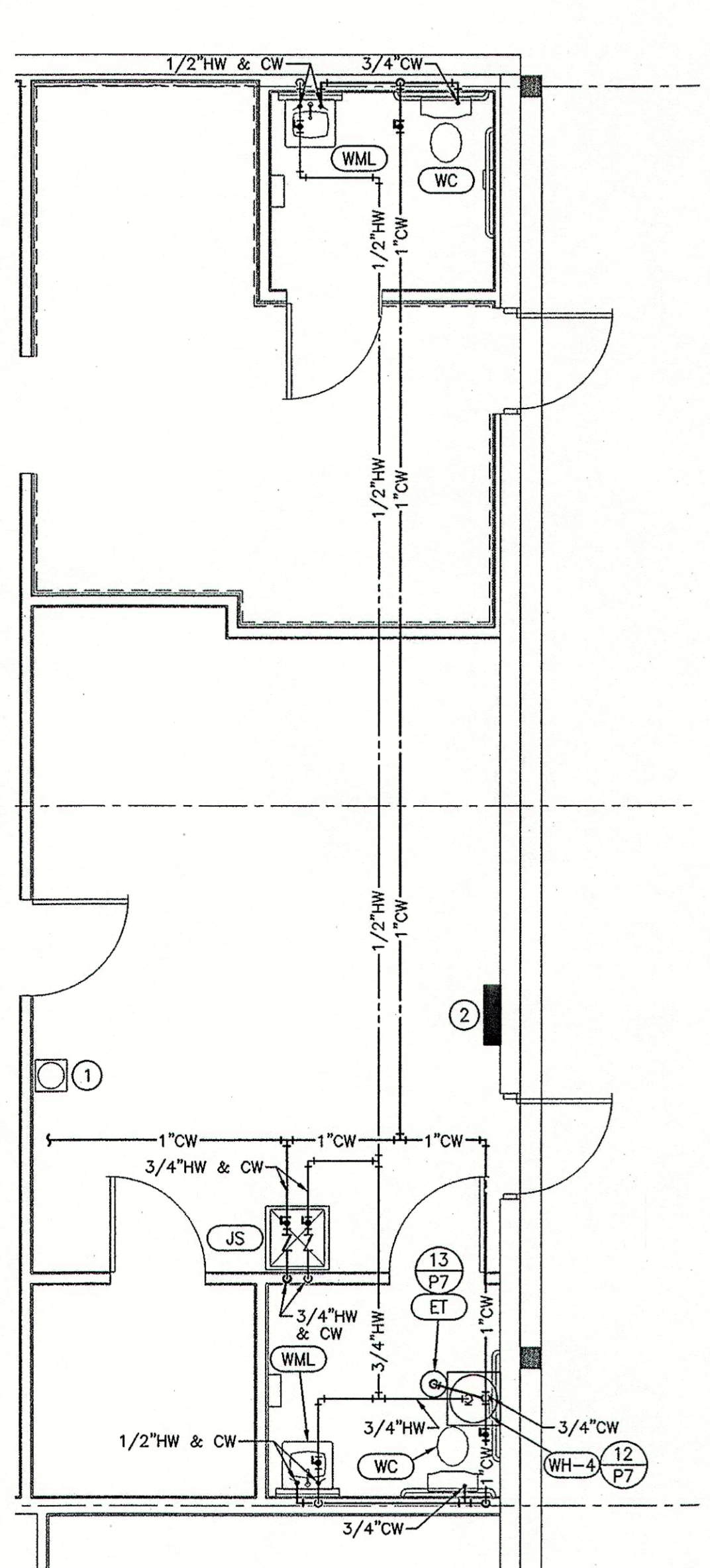


2 TENANT "B","C"  
ENLARGED WATER PLAN  
SCALE: 1/4"=1'-0"

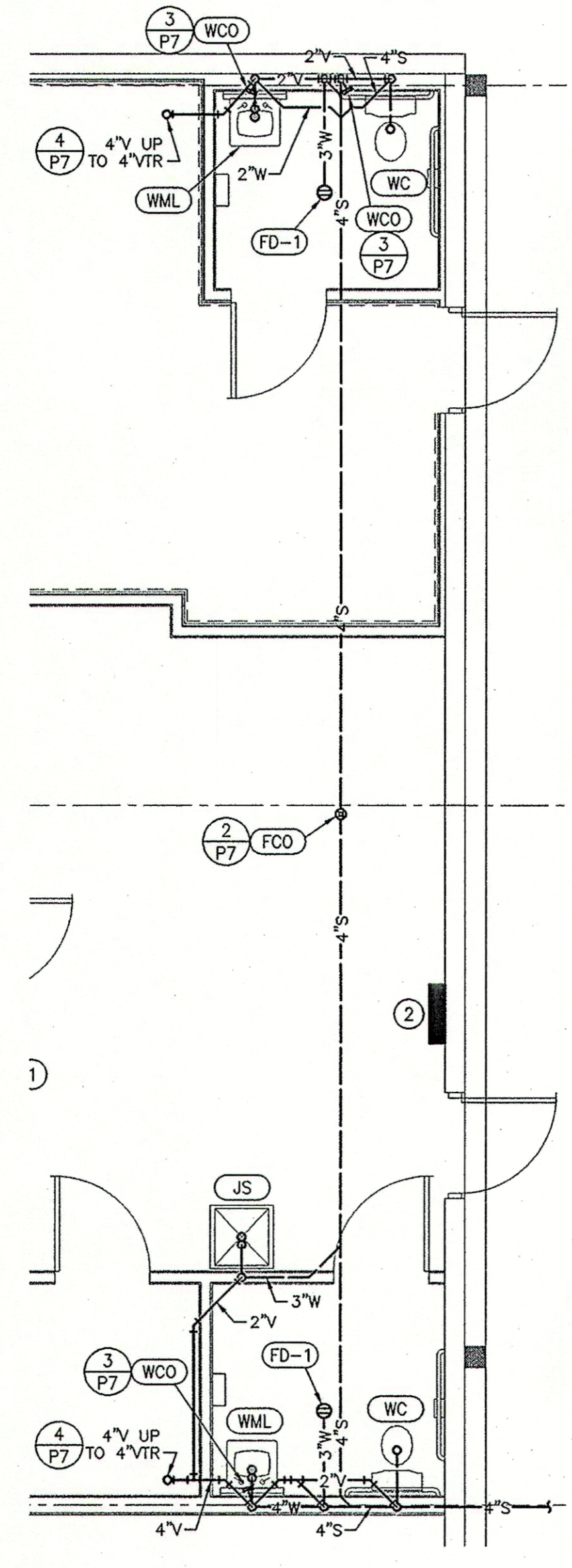


1 TENANT "B","C"  
ENLARGED SANITARY PLAN  
SCALE: 1/4"=1'-0"

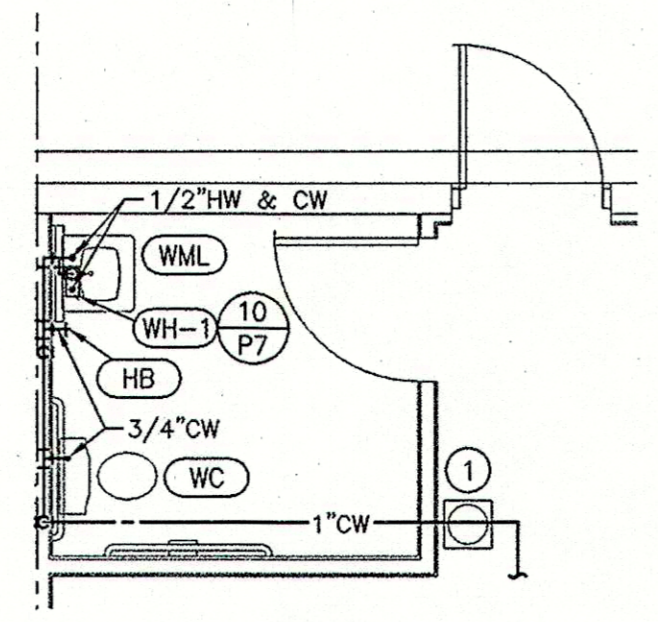
PLUMBING PLAN NOTES:  
 1 BOTTLED WATER DISPENSER PROVIDED BY TENANT. NOT IN CONTRACT.  
 2 NO PLUMBING RELATED PIPING SHALL BE ROUTED OVER ELECTRICAL PANELS.



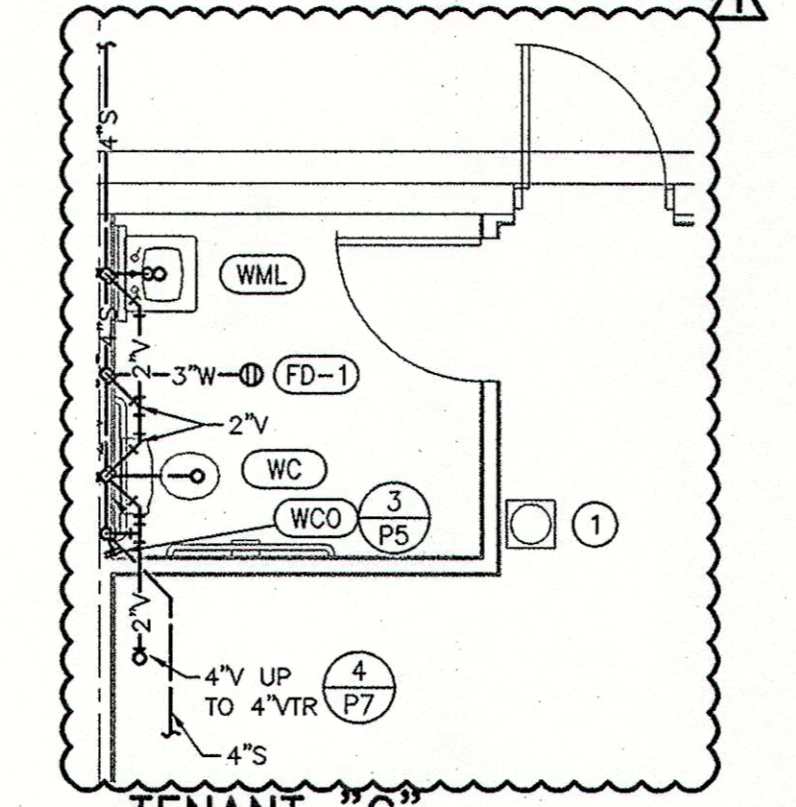
8 TENANT "J"  
ENLARGED WATER PLAN  
SCALE: 1/4"=1'-0"



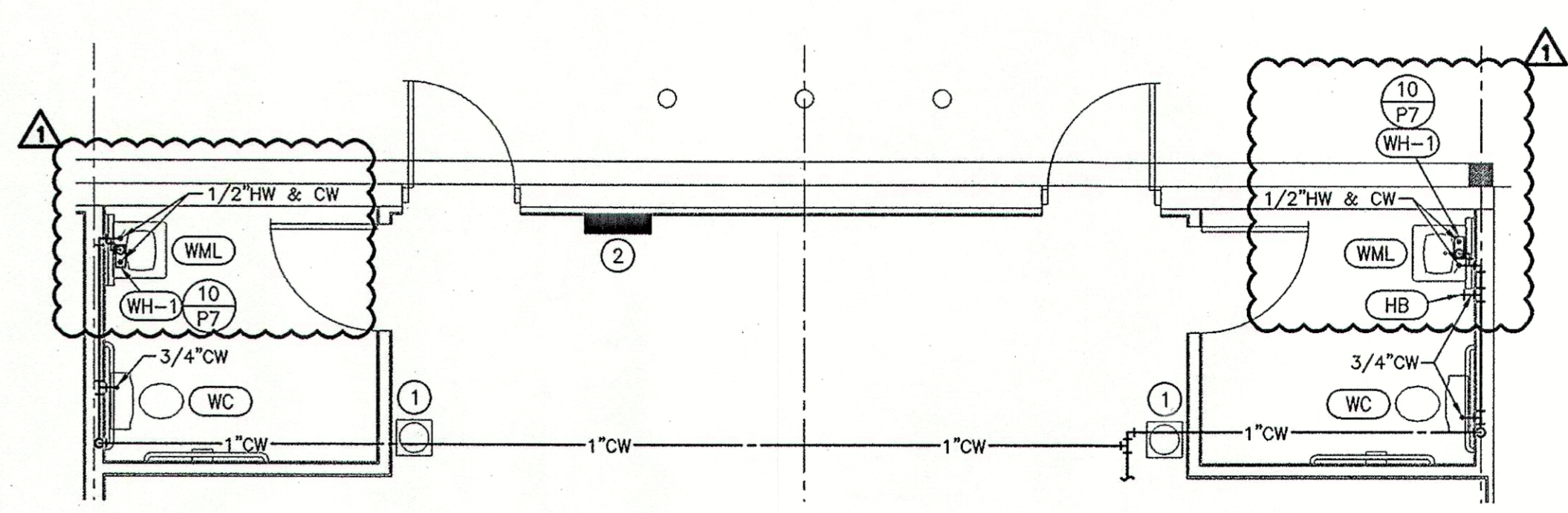
7 TENANT "J"  
ENLARGED SANITARY PLAN  
SCALE: 1/4"=1'-0"



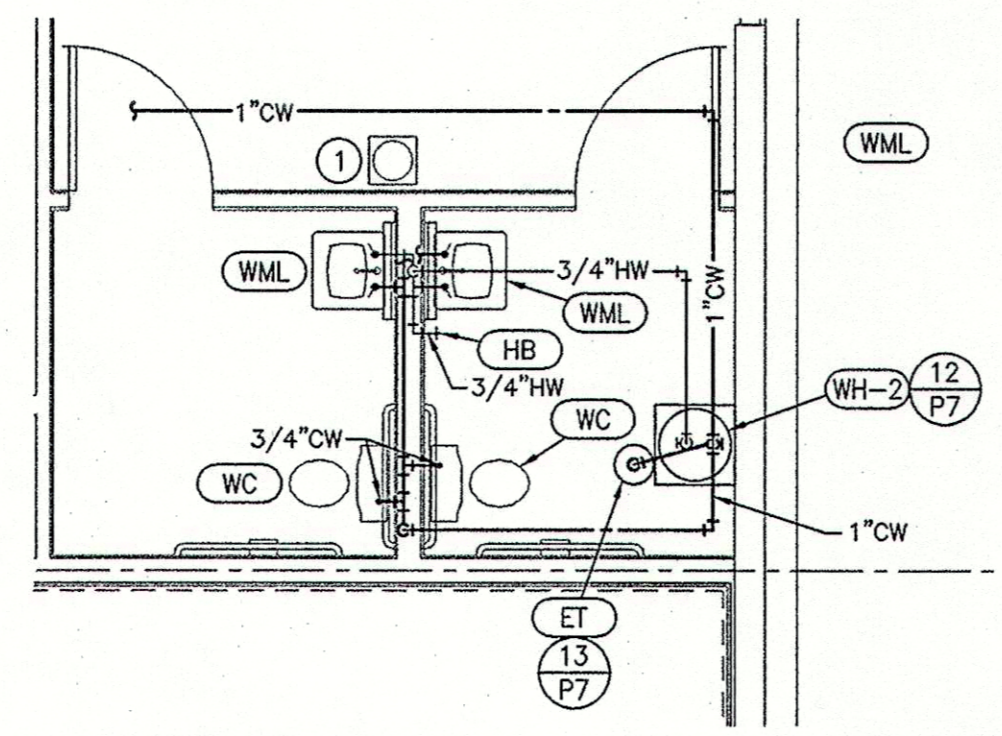
6 TENANT "G"  
ENLARGED WATER PLAN  
SCALE: 1/4"=1'-0"



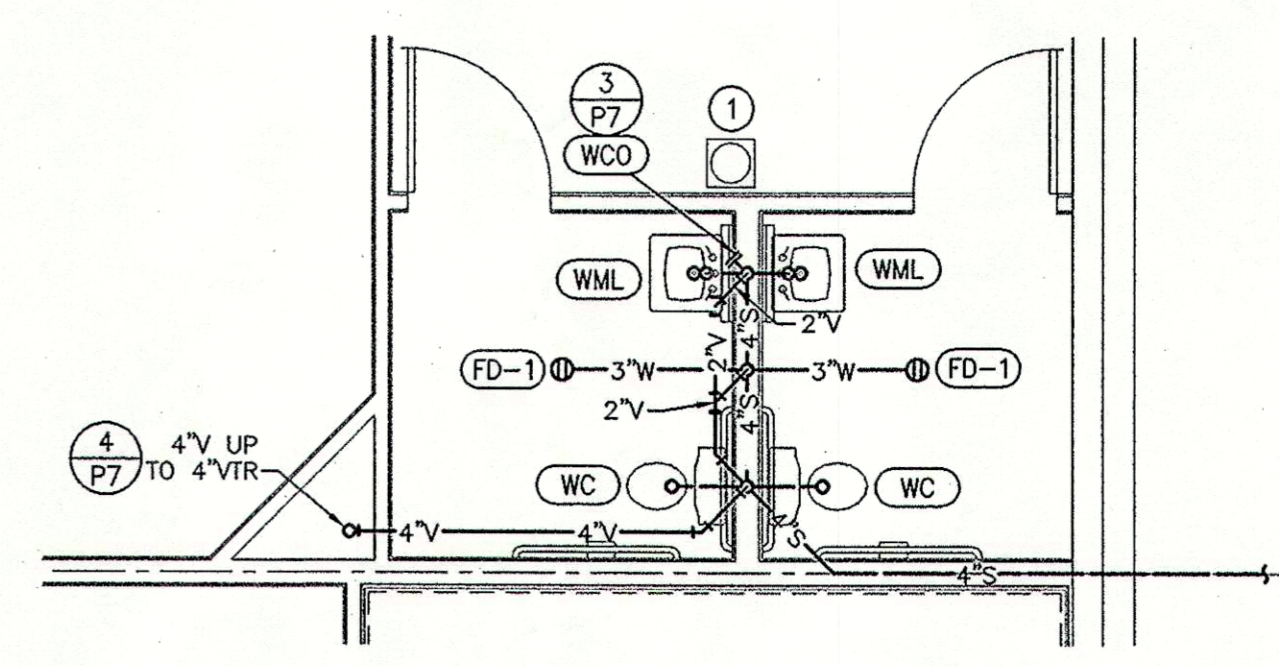
5 TENANT "G"  
ENLARGED SANITARY PLAN  
SCALE: 1/4"=1'-0"



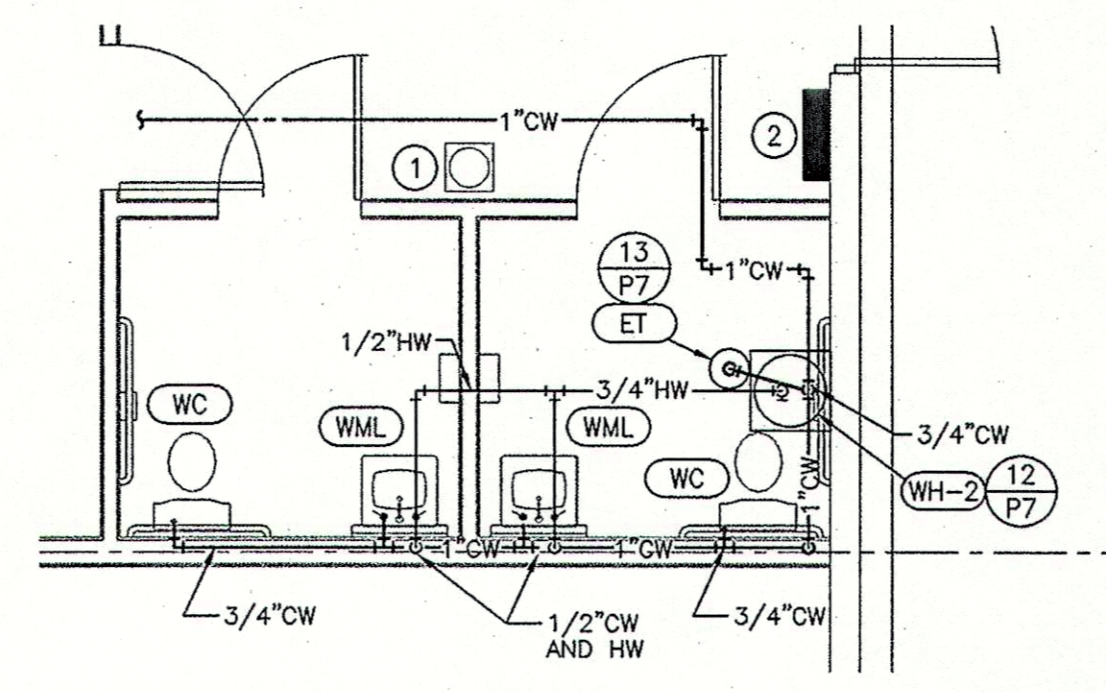
4 TENANT "F","H"  
ENLARGED WATER PLAN  
SCALE: 1/4"=1'-0"



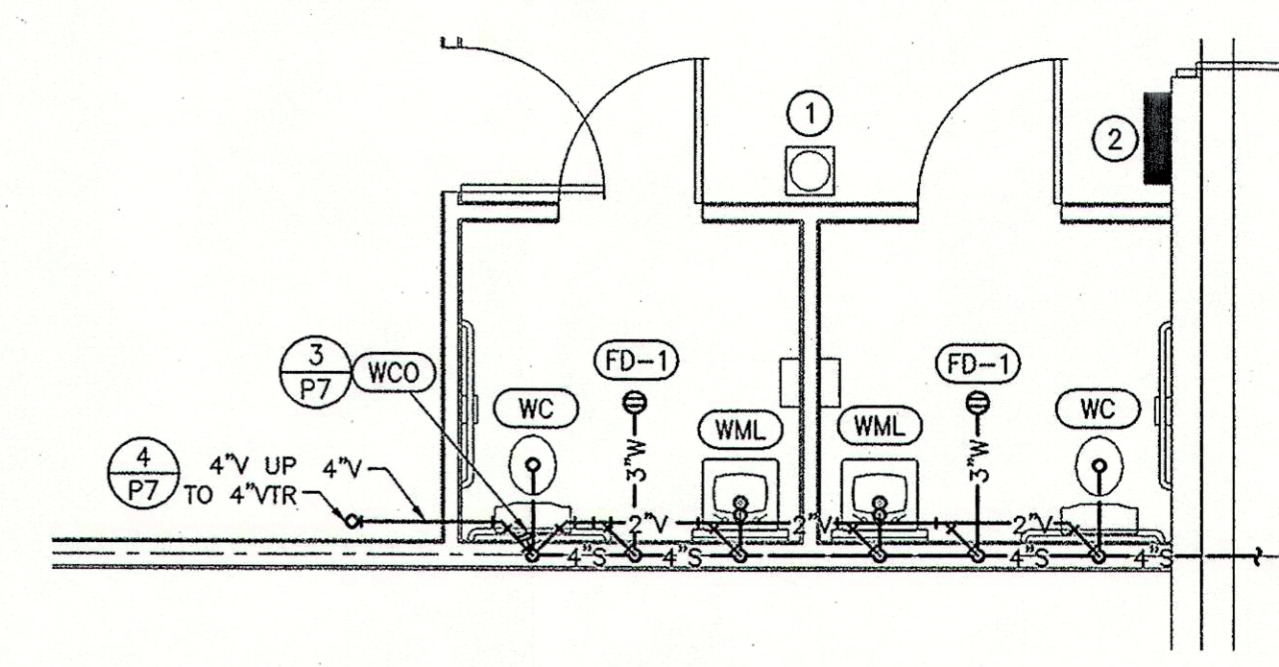
10 TENANT "K"  
ENLARGED WATER PLAN  
SCALE: 1/4"=1'-0"



9 TENANT "K"  
ENLARGED SANITARY PLAN  
SCALE: 1/4"=1'-0"



12 TENANT "L"  
ENLARGED WATER PLAN  
SCALE: 1/4"=1'-0"



11 TENANT "L"  
ENLARGED SANITARY PLAN  
SCALE: 1/4"=1'-0"

NO.	REVISION #3	DATE	DESCRIPTION	BY

**DDG DUPLANTIS DESIGN GROUP, PC**  
 Respect. Integrity. Client Satisfaction. Excellence.  
 THIBODAUX, LOUISIANA  
 HOUSTON, TEXAS  
 Civil Engineering & Site Development • Land Planning • Public Works • Architecture  
 314 East Bayou Road  
 Thibodaux, Louisiana 70301  
 Phone: 985-447-0090  
 Fax: 985-447-7089

STATE OF LOUISIANA  
 DUANE S. HENDERSON  
 License No. 25329  
 PROFESSIONAL ENGINEER  
 IN  
 MECHANICAL ENGINEERING  
 3/15/08

PROPOSED RETAIL DEVELOPMENT  
 CITY OF BOUTTE  
 ST. CHARLES PARISH, LOUISIANA  
 FOR THE SPECTRA GROUP, INC.  
 MEMPHIS, TENNESSEE

DRAWN CRM
CHECKED WWR
DATE 8/13/07
SCALE AS NOTED ON DWG
PROJECT NO. 075000106
FILE 075000106P4.DWG
SHEET

**HENDERSON ENGINEERS**  
 8325 LEXA DRIVE  
 DENVER, CO 80231  
 TEL 913.742.5000 FAX 913.742.5001  
 www.hel-eng.com  
 075000106

P4

Program: D:\duplantis\075001106 Spectra Retail Center - Boutte - LA\000P4.dwg, Plot: 8/20/07 10:20:28 AM, Name: duplantis.p4.dwg, 11