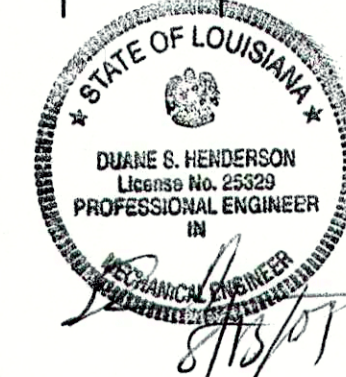


DATE	DESCRIPTION	BY

DDG DUPLANTIS DESIGN GROUP, PC
Respects Integrity • Client Satisfaction • Excellence
 HOUSTON
 MANDEVILLE
 THIBODAUX
 Civil Engineering • Site Development • Land Planning • Architecture
 11414 Bayou Road
 Houston, Texas 77059
 Phone: 281.441.7009

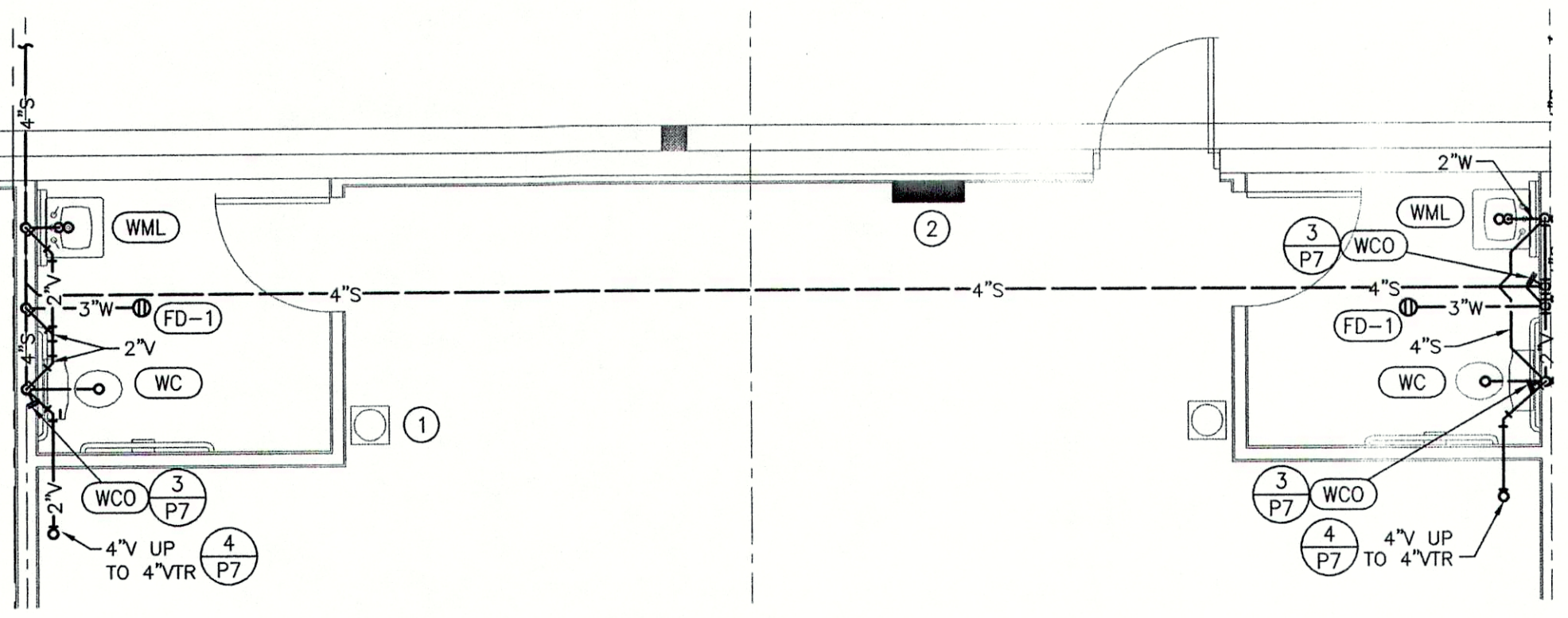
SIGNATURE: _____ DATE: _____

 STAMP

PROPOSED RETAIL DEVELOPMENT
 CITY OF BOULTE
 ST. CHARLES PARISH, LOUISIANA
 FOR THE SPECTRA GROUP, INC.
 MEMPHIS, TENNESSEE

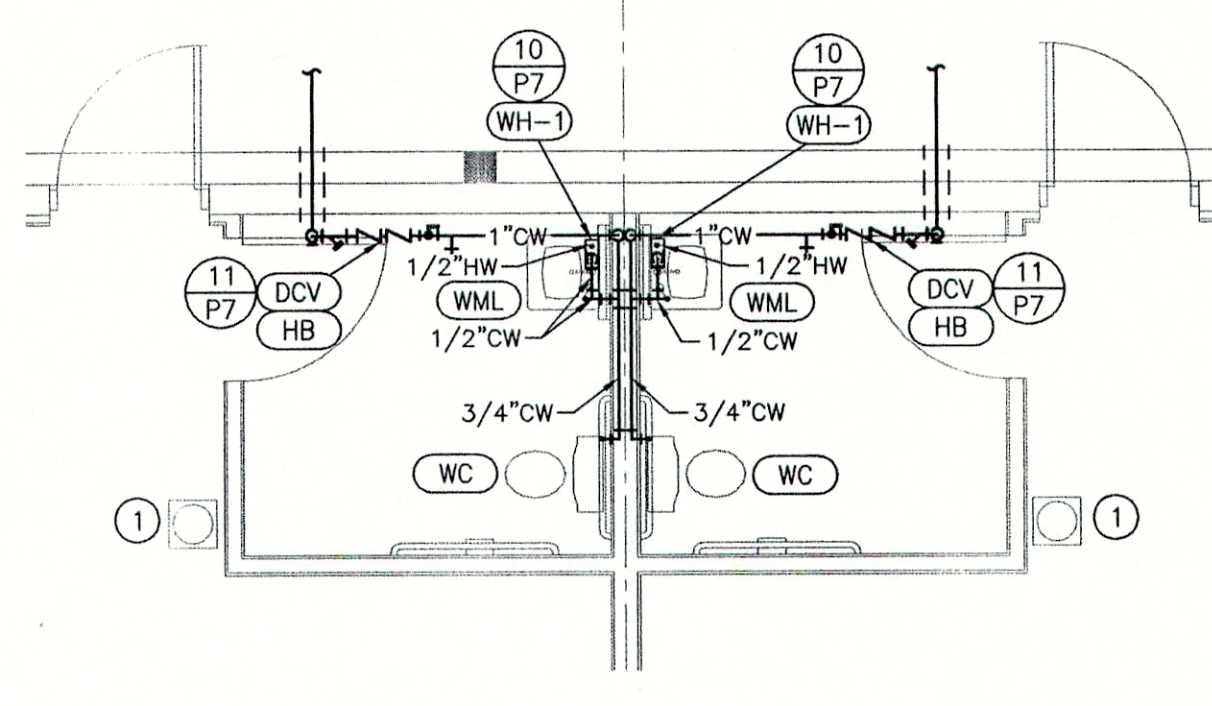
DRAWN	CRM
CHECKED	WWR
DATE	8/18/07
SCALE	AS NOTED ON DWG
PROJECT NO.	075000106
FILE	075000106P4.DWG
SHEET	8

P4

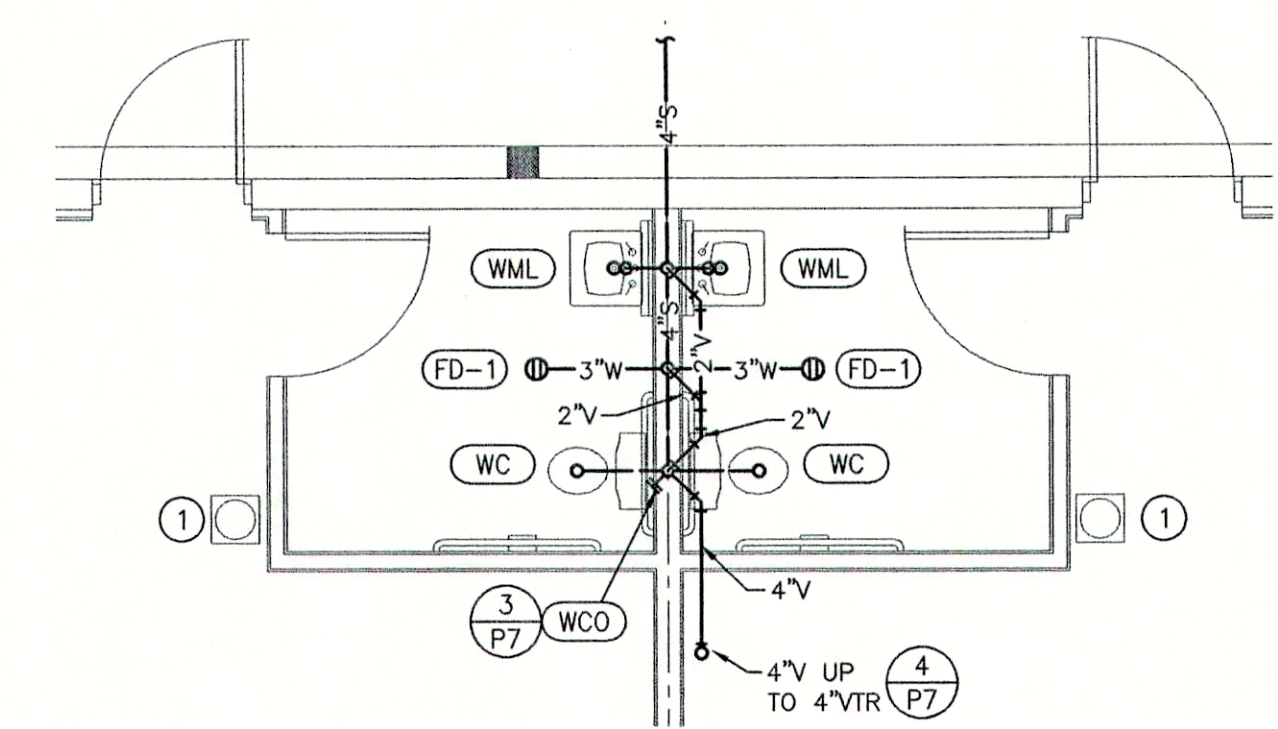
PLUMBING PLAN NOTES:
 1 BOTTLED WATER DISPENSER PROVIDED BY TENANT. NOT IN CONTRACT.
 2 NO PLUMBING RELATED PIPING SHALL BE ROUTED OVER ELECTRICAL PANELS.



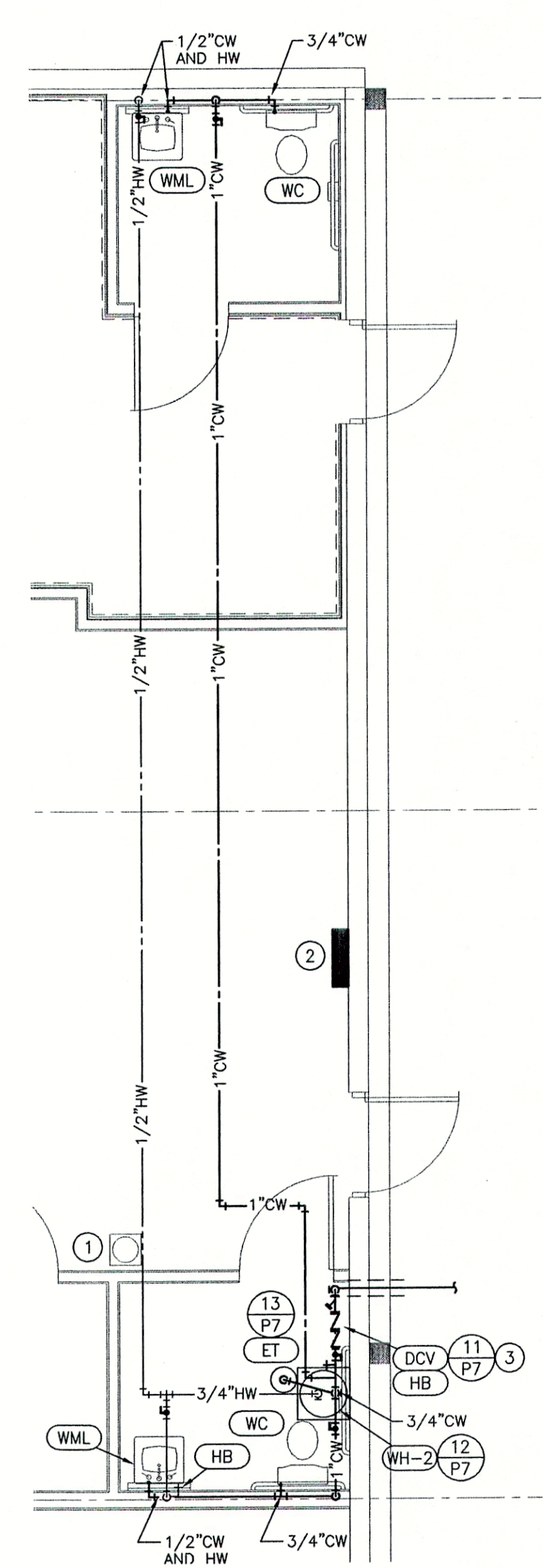
3 TENANT "F", "H" ENLARGED SANITARY PLAN
 SCALE: 1/4"=1'-0"



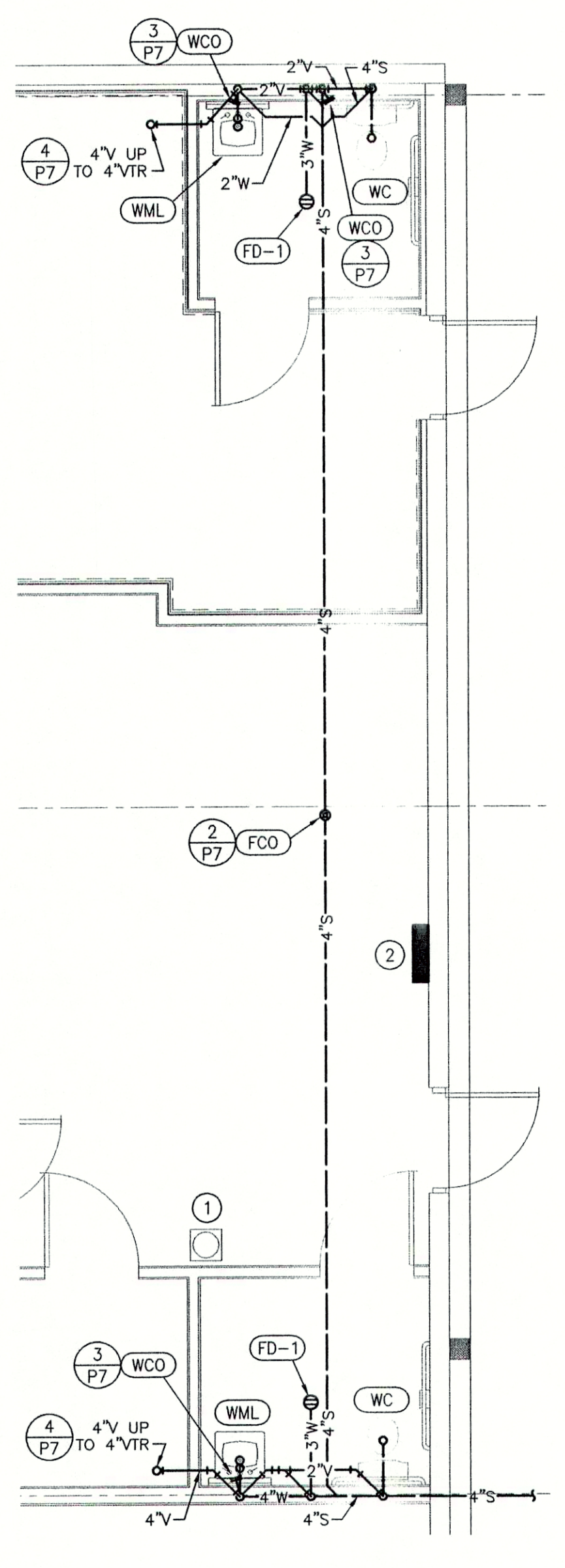
2 TENANT "B", "C", "D", "E" ENLARGED WATER PLAN
 SCALE: 1/4"=1'-0"



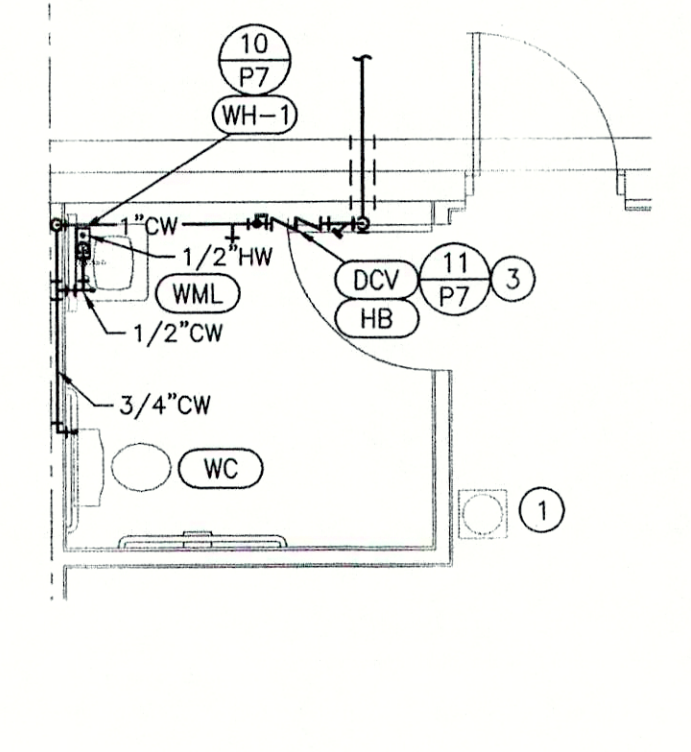
1 TENANT "B", "C", "D", "E" ENLARGED SANITARY PLAN
 SCALE: 1/4"=1'-0"



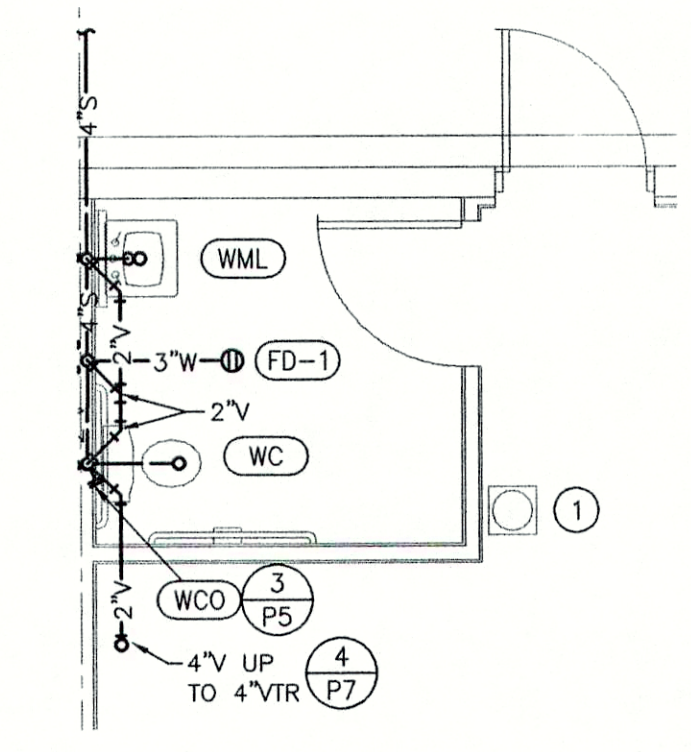
8 TENANT "J" ENLARGED WATER PLAN
 SCALE: 1/4"=1'-0"



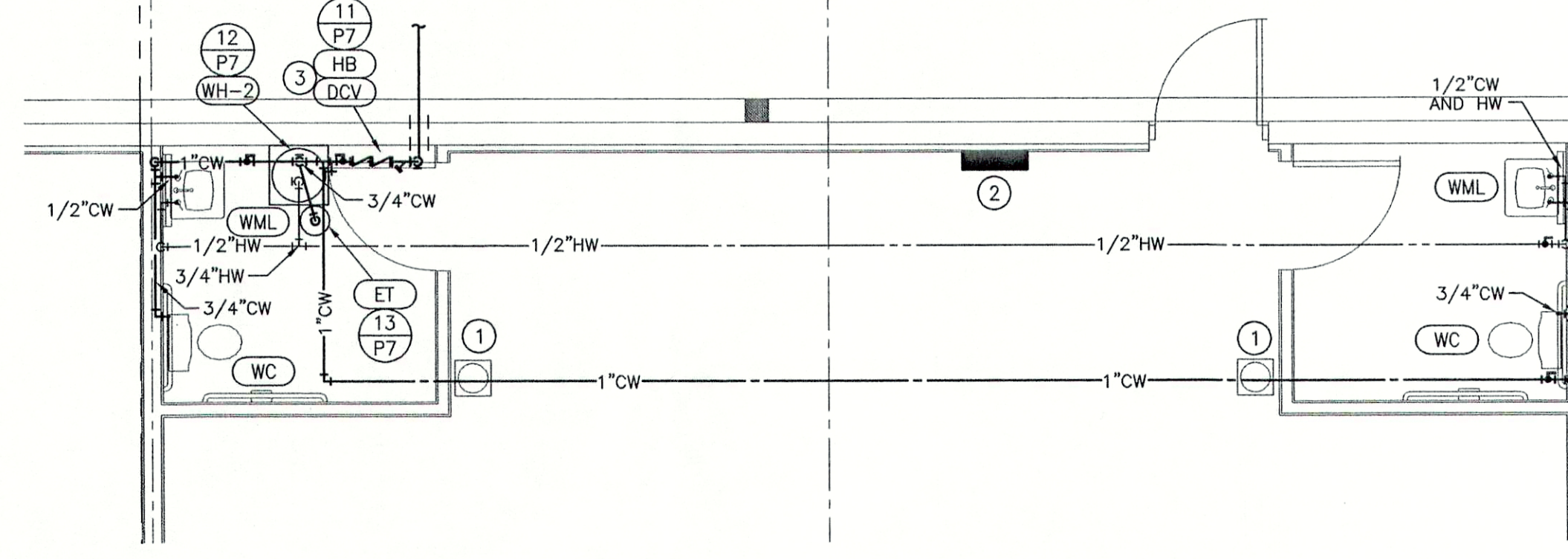
7 TENANT "J" ENLARGED SANITARY PLAN
 SCALE: 1/4"=1'-0"



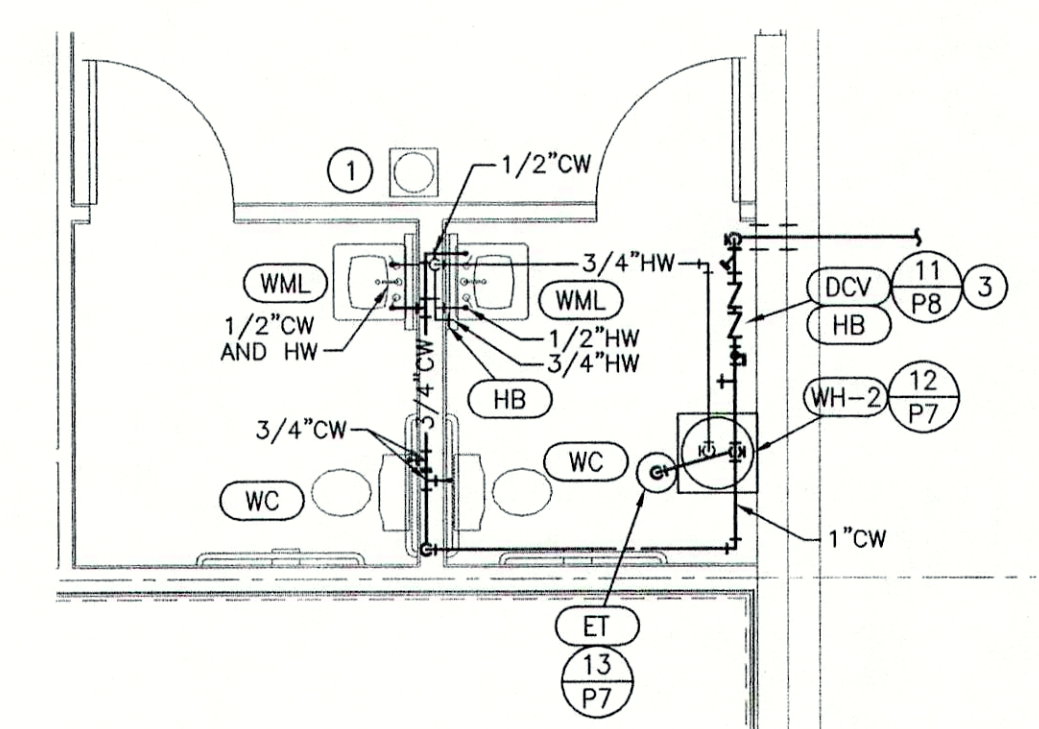
6 TENANT "G" ENLARGED WATER PLAN
 SCALE: 1/4"=1'-0"



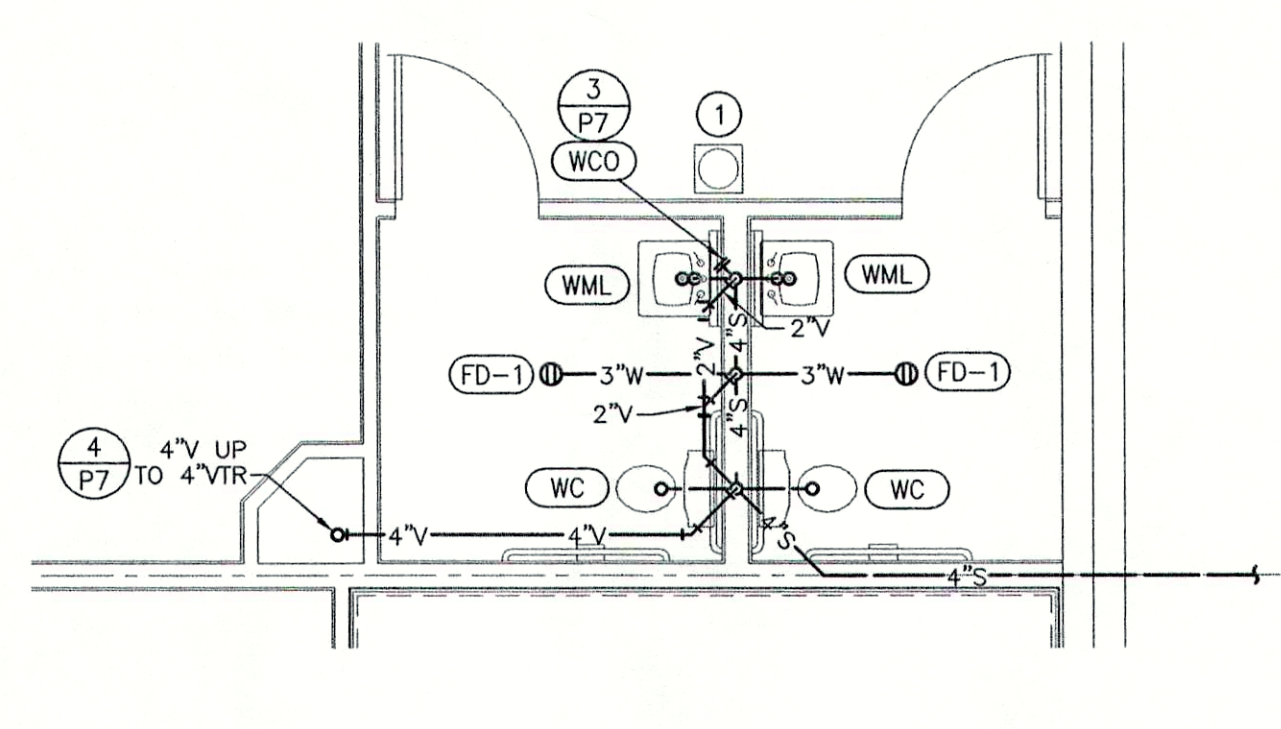
5 TENANT "G" ENLARGED SANITARY PLAN
 SCALE: 1/4"=1'-0"



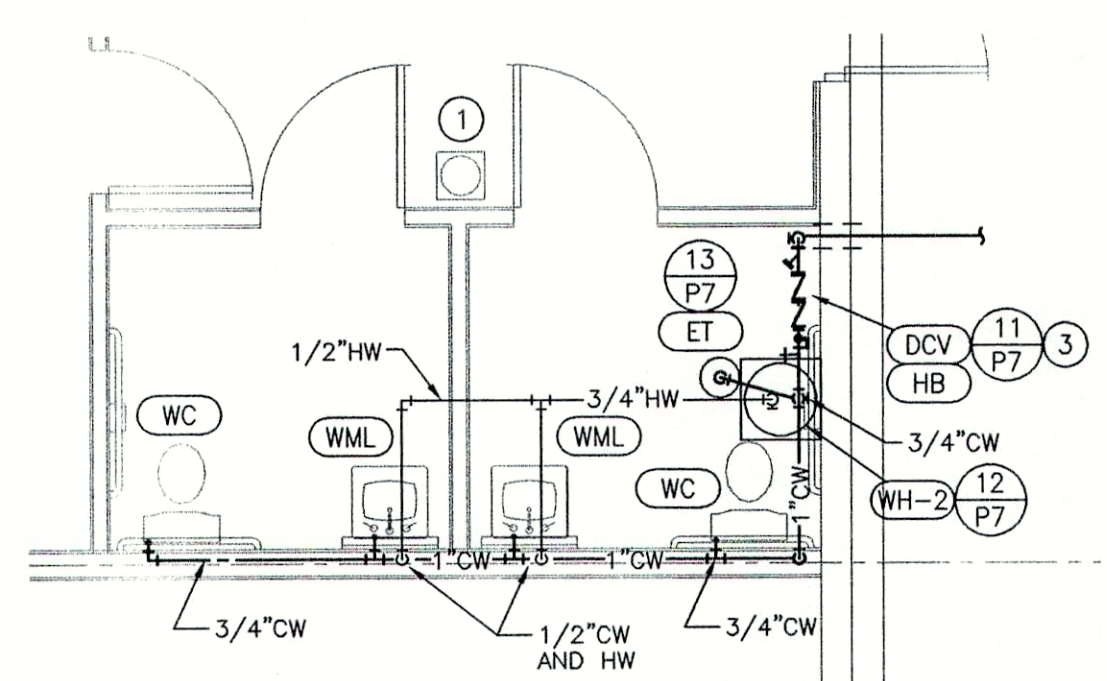
4 TENANT "F", "H" ENLARGED WATER PLAN
 SCALE: 1/4"=1'-0"



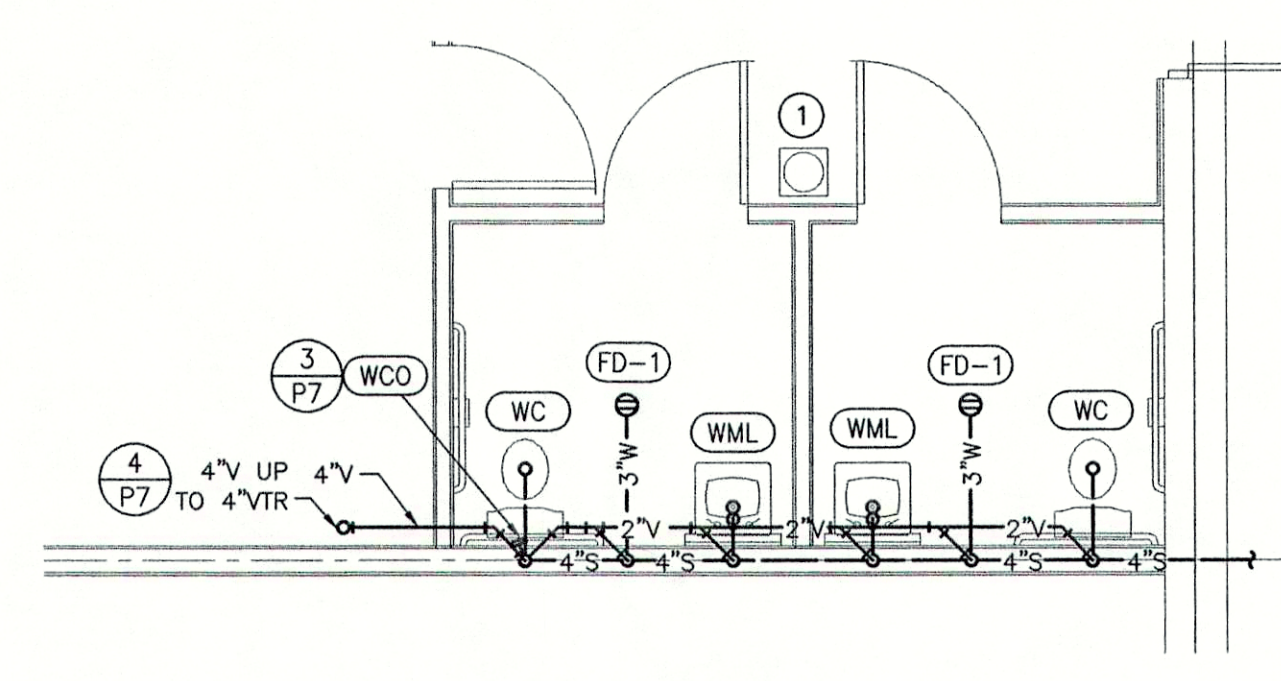
10 TENANT "K" ENLARGED WATER PLAN
 SCALE: 1/4"=1'-0"



9 TENANT "K" ENLARGED SANITARY PLAN
 SCALE: 1/4"=1'-0"



12 TENANT "L" ENLARGED WATER PLAN
 SCALE: 1/4"=1'-0"



11 TENANT "L" ENLARGED SANITARY PLAN
 SCALE: 1/4"=1'-0"