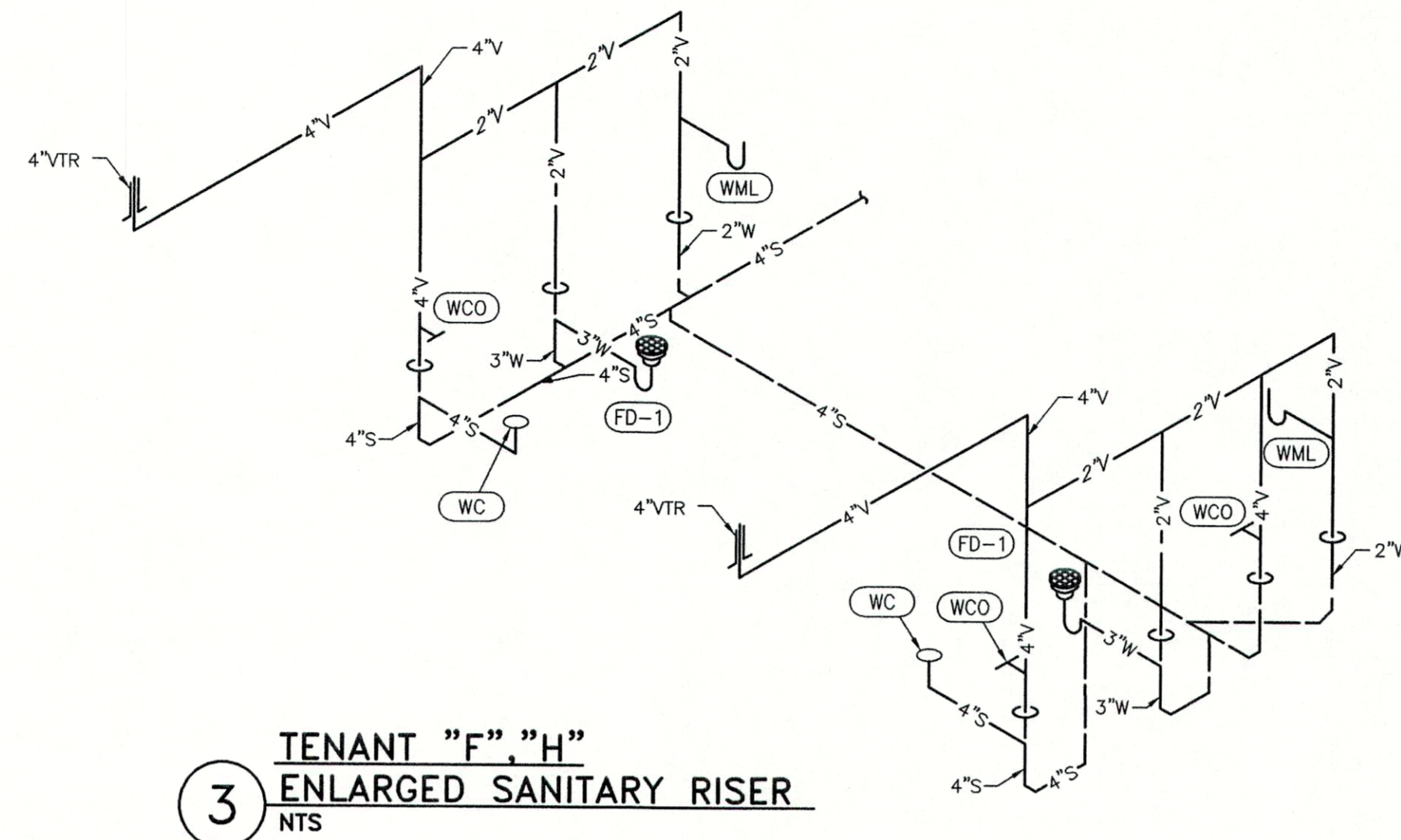
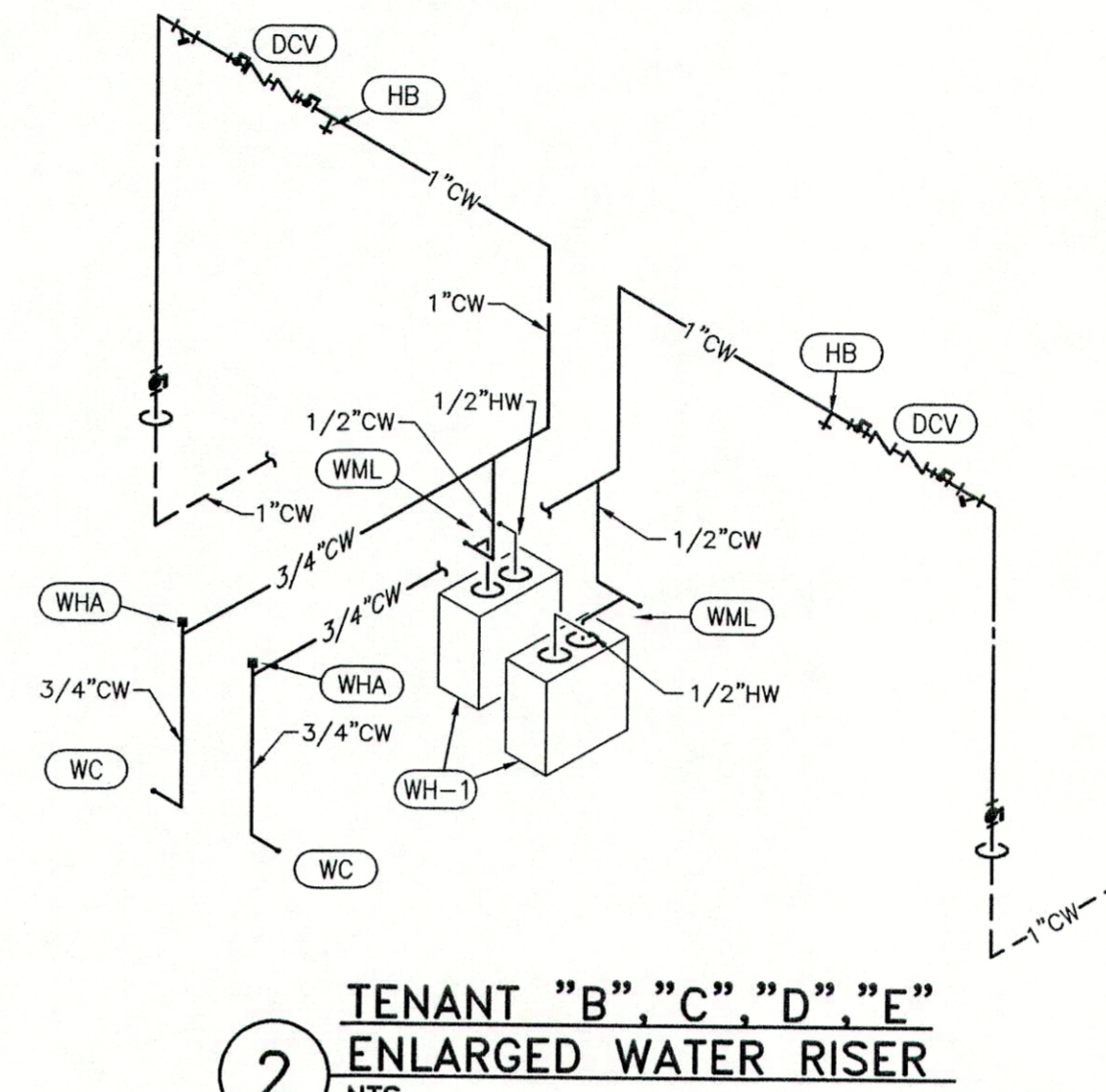


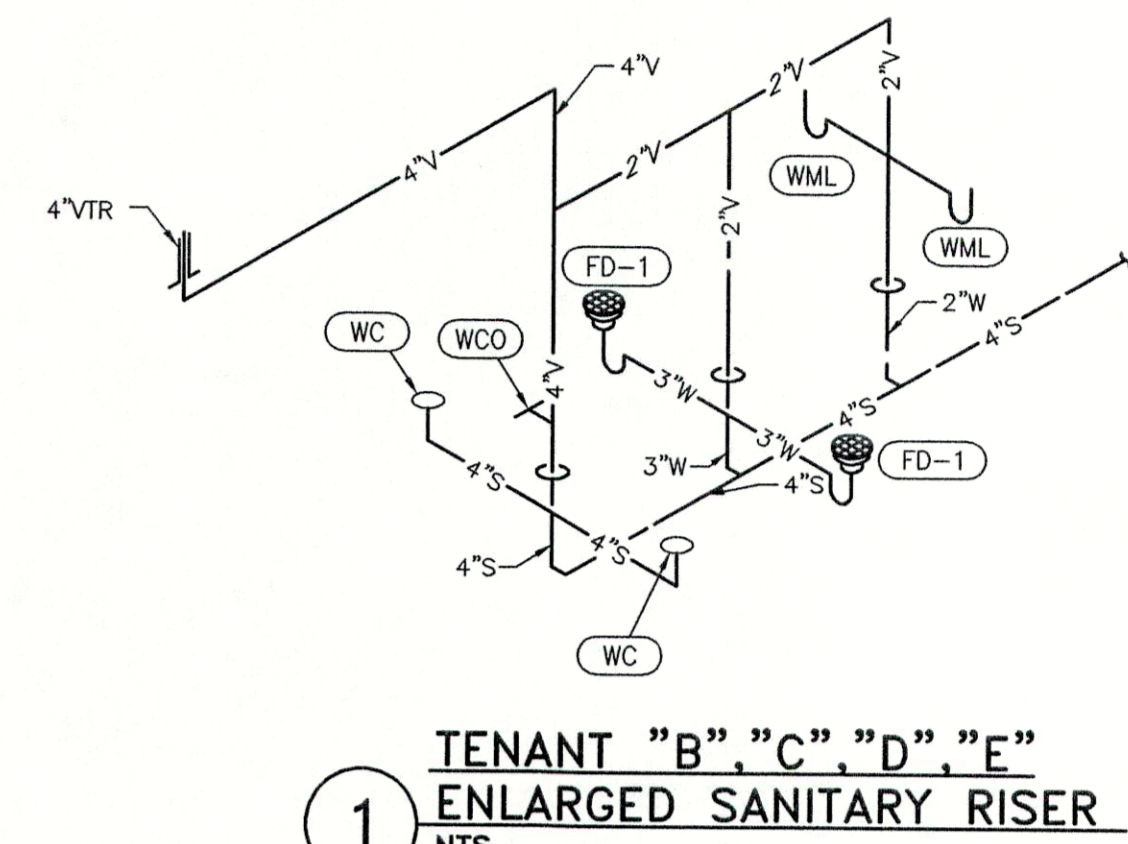
4 TENANT "F" "H"
ENLARGED WATER RISER
NTS



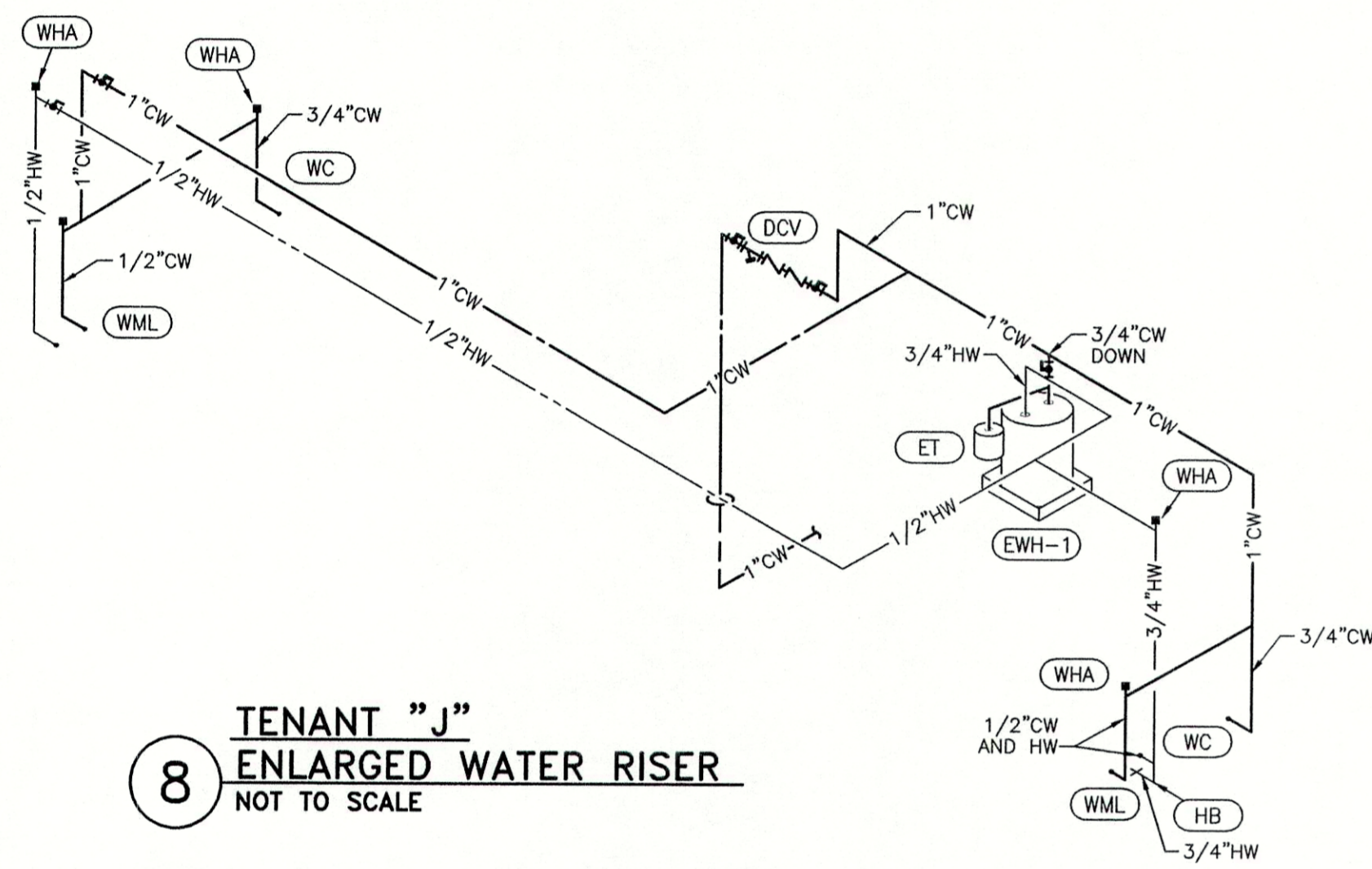
3 TENANT "F" "H"
ENLARGED SANITARY RISER
NTS



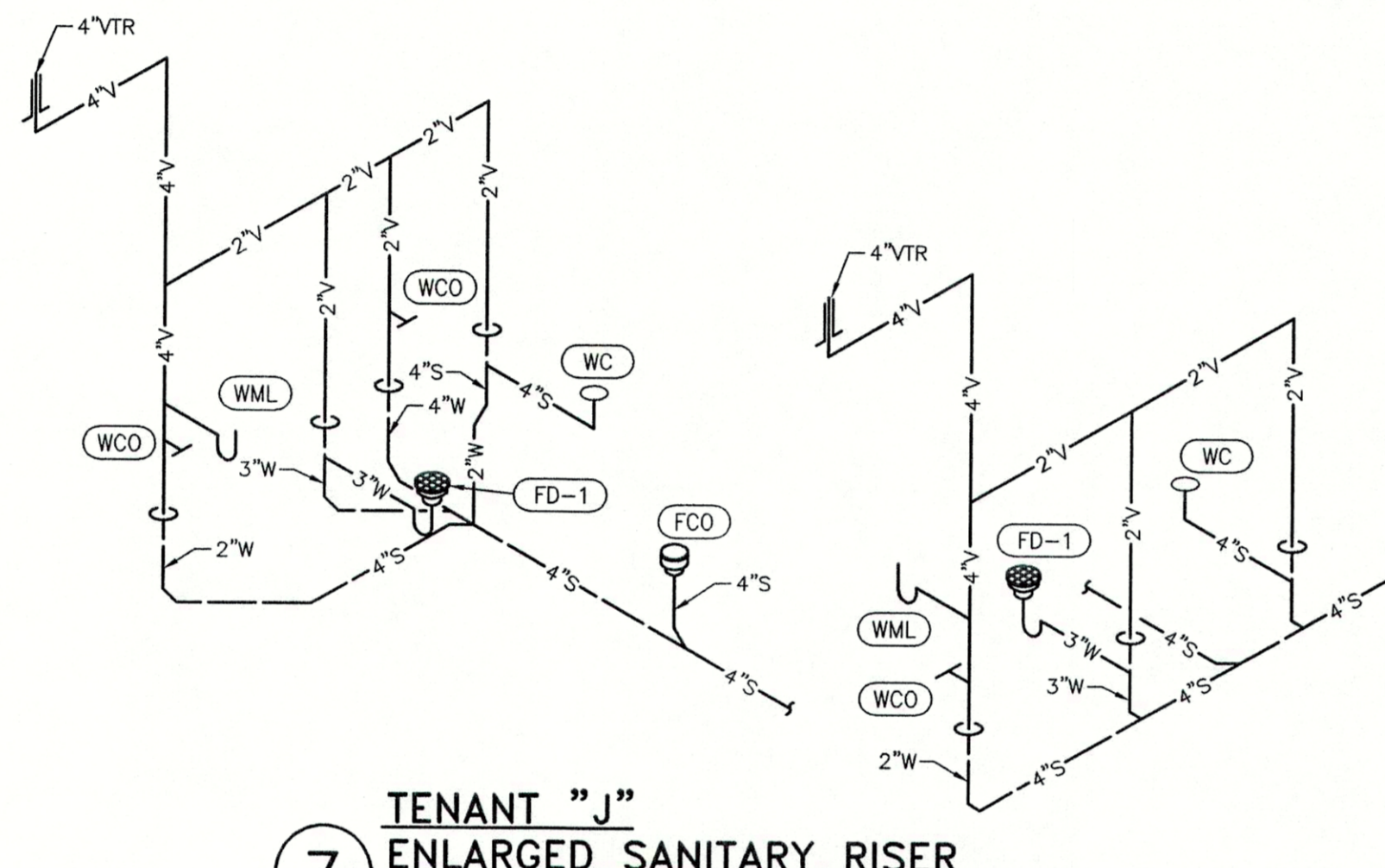
2 TENANT "B" "C" "D" "E"
ENLARGED WATER RISER
NTS



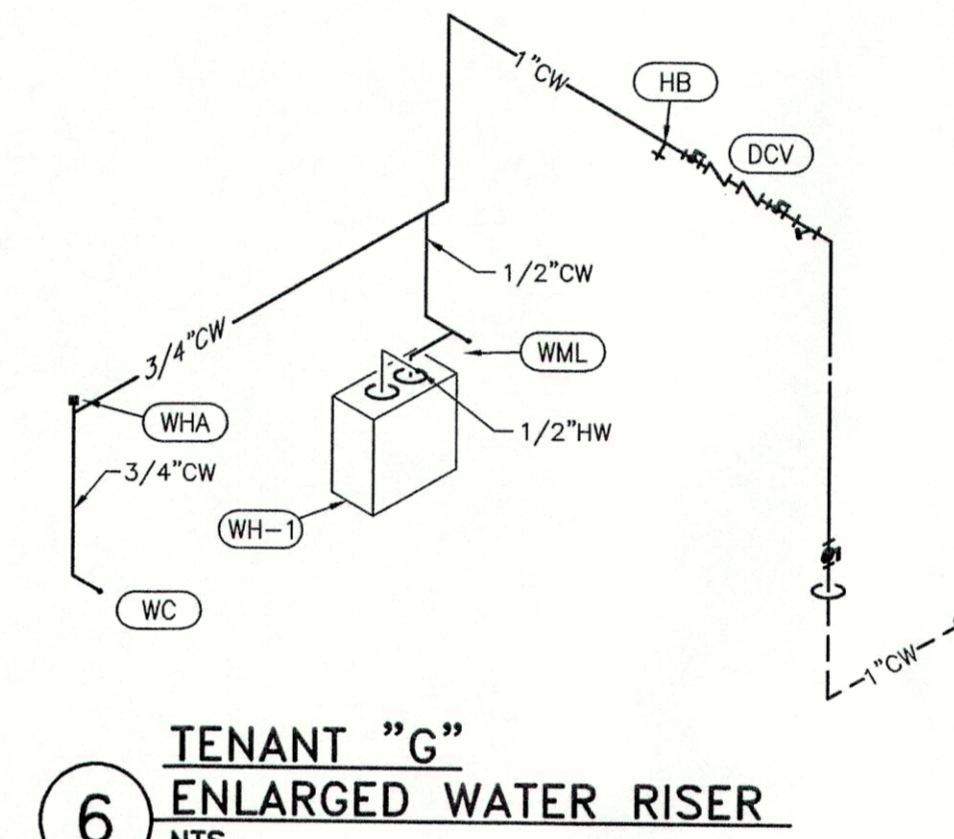
1 TENANT "B" "C" "D" "E"
ENLARGED SANITARY RISER
NTS



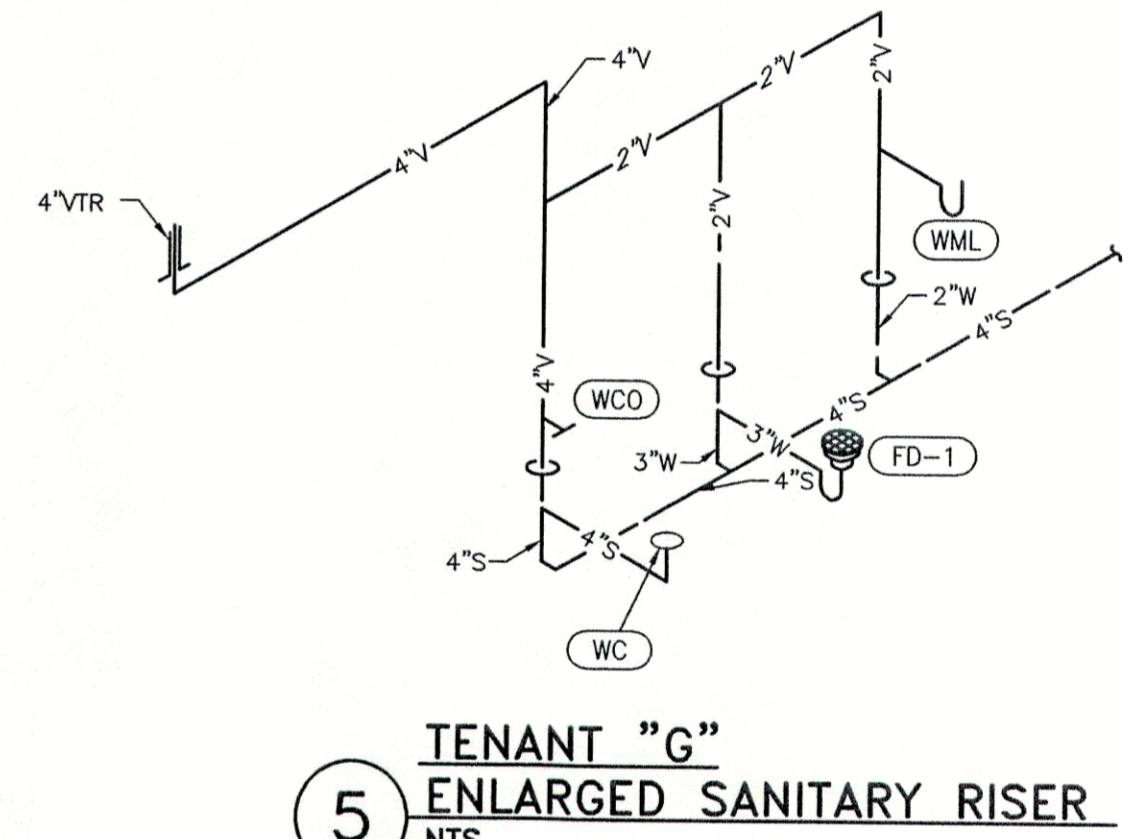
8 TENANT "J"
ENLARGED WATER RISER
NOT TO SCALE



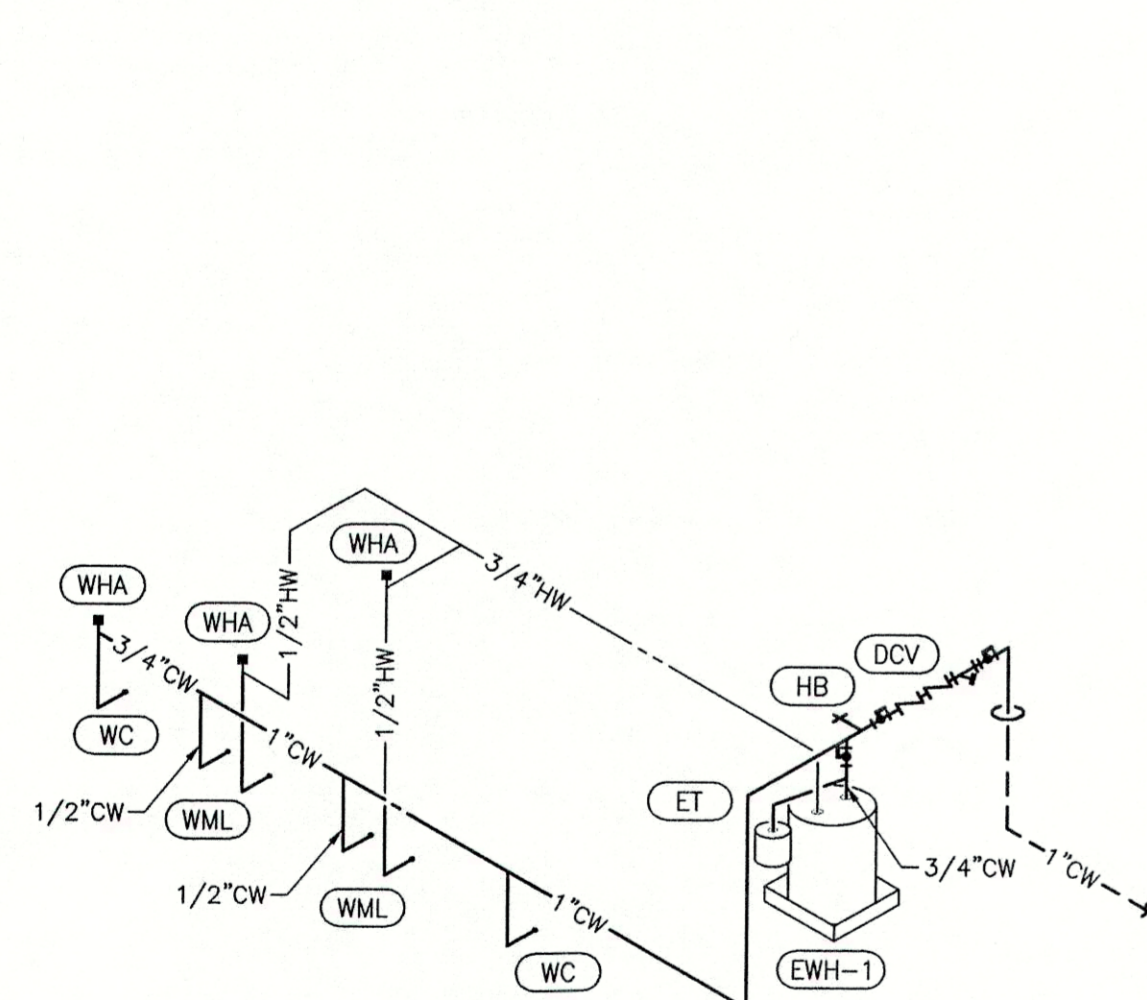
7 TENANT "J"
ENLARGED SANITARY RISER
SCALE: NTS



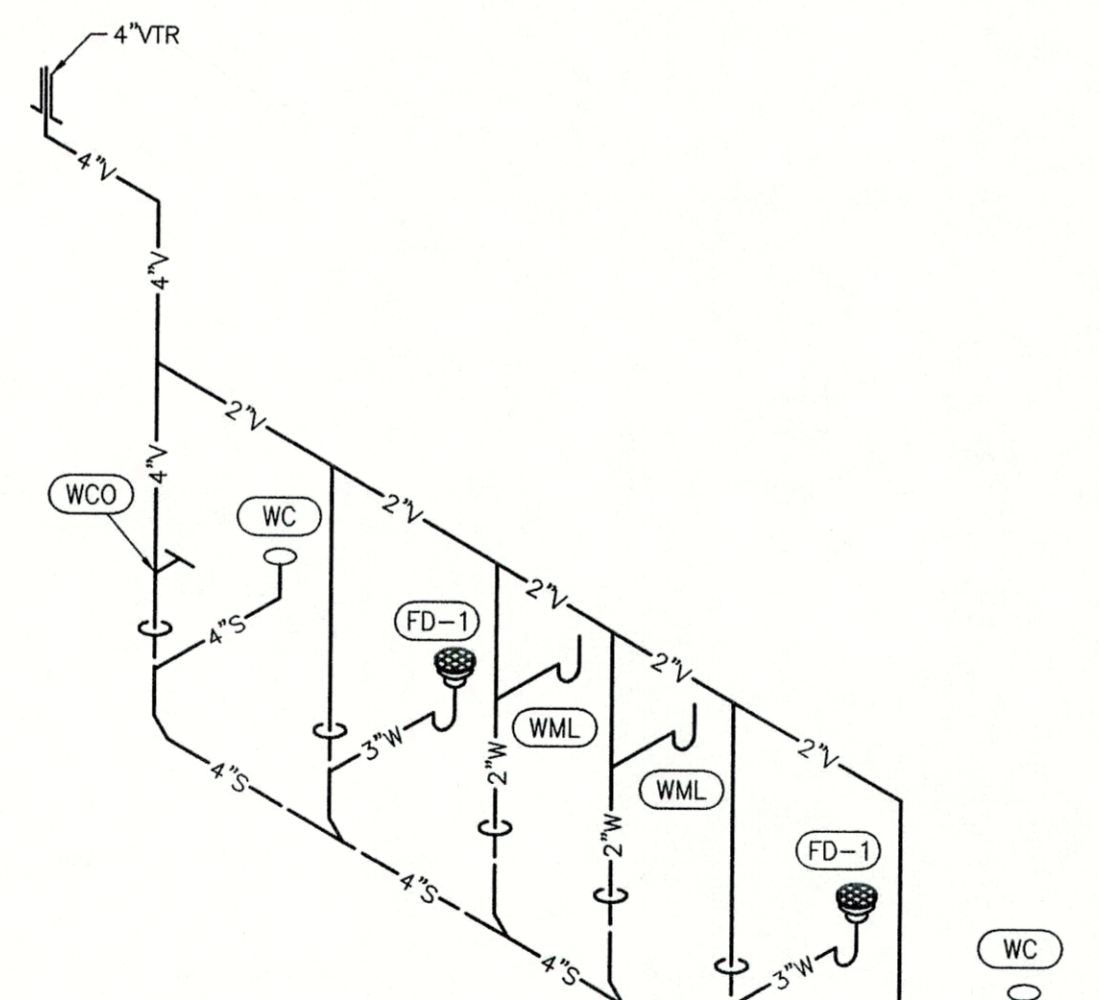
6 TENANT "G"
ENLARGED WATER RISER
NTS



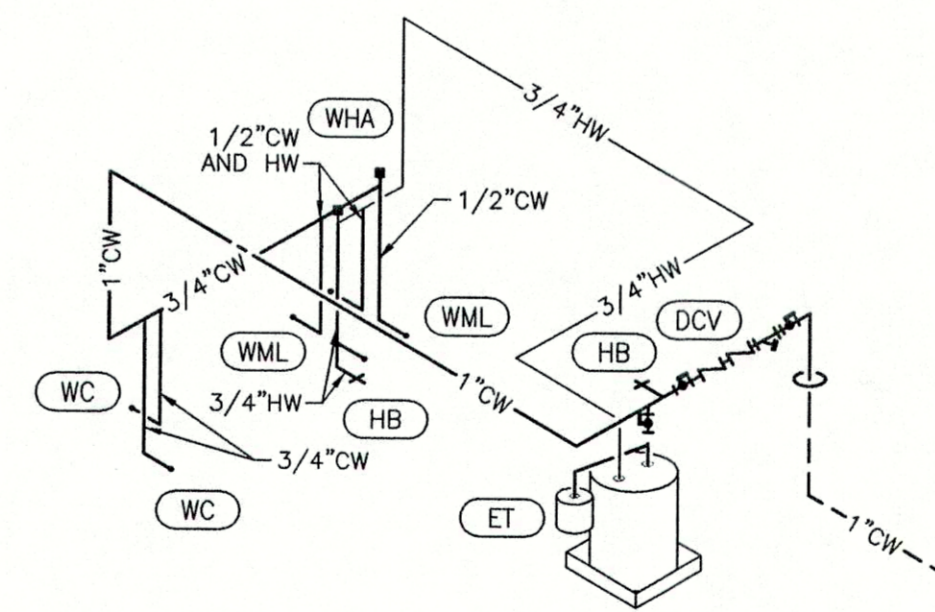
5 TENANT "G"
ENLARGED SANITARY RISER
NTS



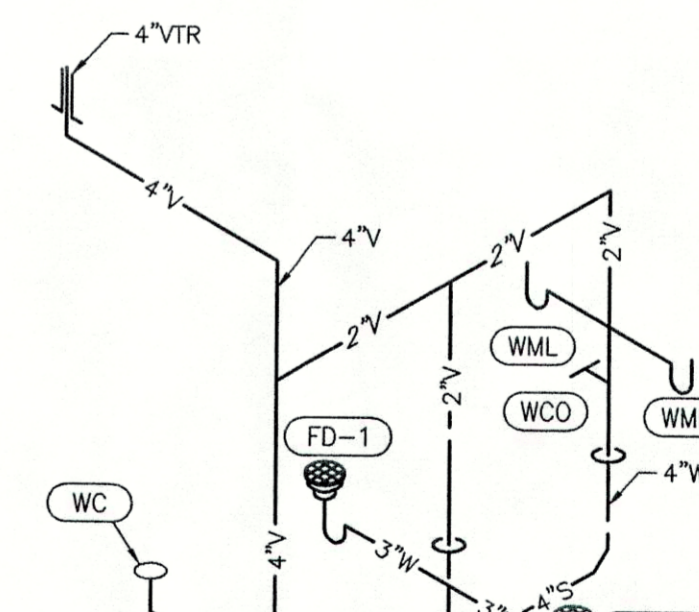
12 TENANT "L"
ENLARGED WATER RISER
NTS



11 TENANT "L"
ENLARGED SANITARY RISER
NTS



10 TENANT "K"
ENLARGED WATER RISER
NTS



9 TENANT "K"
ENLARGED SANITARY RISER
NTS

DATE	DESCRIPTION	BY

DDG DUPLANTIS
DESIGN GROUP, PC
Respect • Integrity • Client Satisfaction • Excellence

THIBODAUX • HOUSTON
MANDERLILLE • Architecture
Civil Engineering • Site Development • Land Planning • Public Works

Phone: 985-447-0090
Fax: 985-447-1009

STATE OF LOUISIANA
DUANE S. HENDERSON
License No. 23329
PROFESSIONAL ENGINEER
IN
MECHANICAL ENGINEERING

STAMP

PROPOSED RETAIL DEVELOPMENT
CITY OF BOUTTE
ST. CHARLES PARISH, LOUISIANA
FOR THE SPECTRA GROUP, INC.
MEMPHIS, TENNESSEE

DRAWN	CRM
CHECKED	WWR
DATE	8/13/07
SCALE	AS NOTED ON DWG
PROJECT NO.	0760001106
FILE	0760001106P6.DWG
SHEET	8

HENDERSON ENGINEERS

8325 LENEZA DRIVE
LENEXIA, VA 22184
TEL 913 742 2600 FAX 913 742 5001
www.hel-eng.com

P5