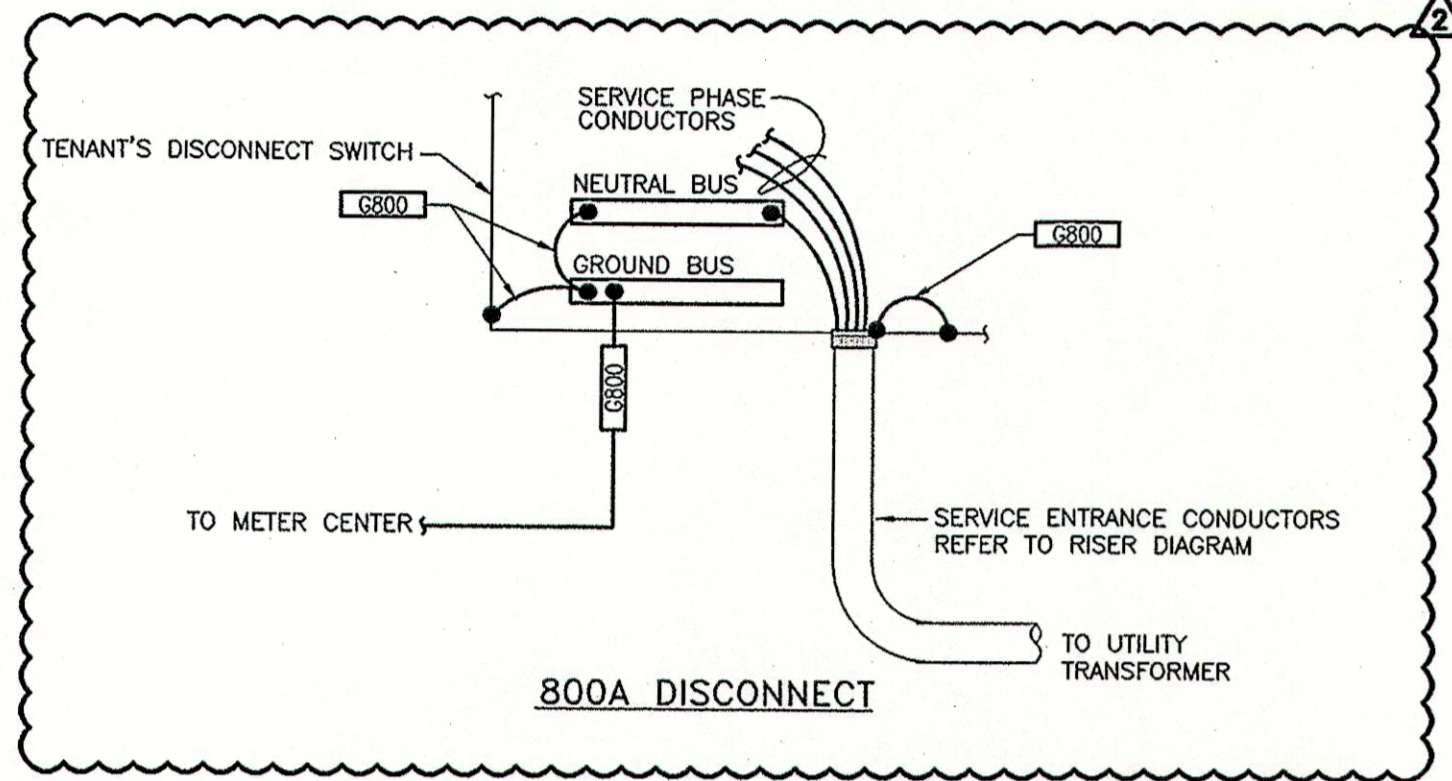


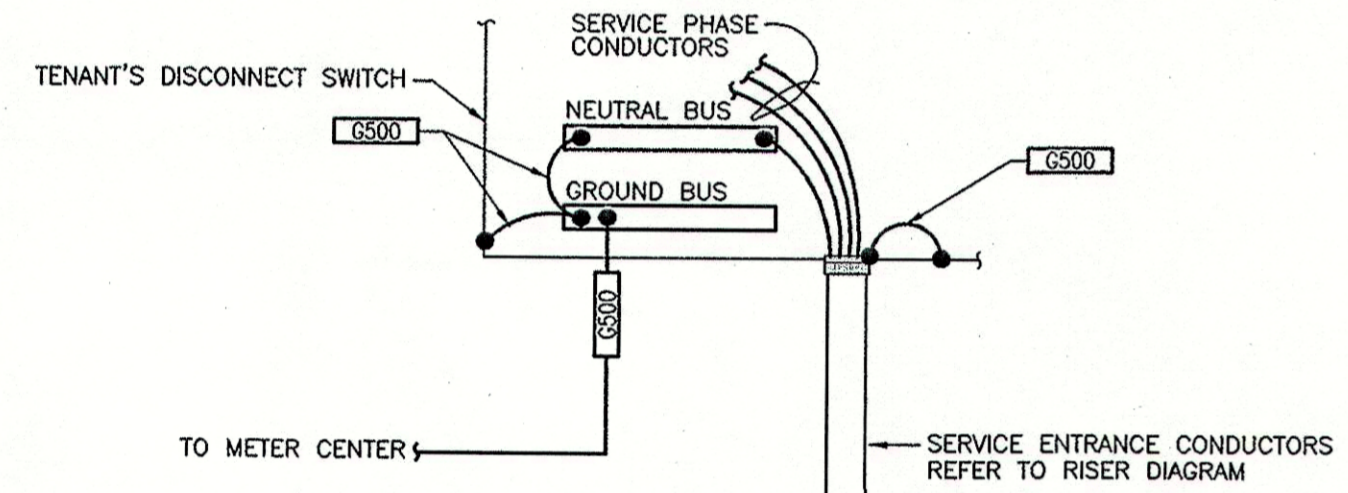
REFER TO PANELBOARD SCHEDULES FOR FAULT CURRENTS AND AIC RATINGS.

THE CALCULATED AVAILABLE FAULT CURRENT IS 22,292 AMPS. SHORT CIRCUIT VALUES ARE BASED ON INFINITE BUS, IMPEDANCE OF 4% A 300KVA PAD MOUNTED UTILITY TRANSFORMER, AND SERVICE ENTRANCE LATERAL LENGTH OF 55'-0". COORDINATE WITH ELECTRICAL UTILITY COMPANY AND CIVIL DRAWINGS. ADJUST THE AIC RATING OF ALL PANELBOARDS IF THE ACTUAL AVAILABLE FAULT CURRENT FROM THE UTILITY COMPANY IS GREATER THAN THE CALCULATED VALUE. DO NOT REDUCE AIC RATINGS IF LESS THAN CALCULATED VALUE.

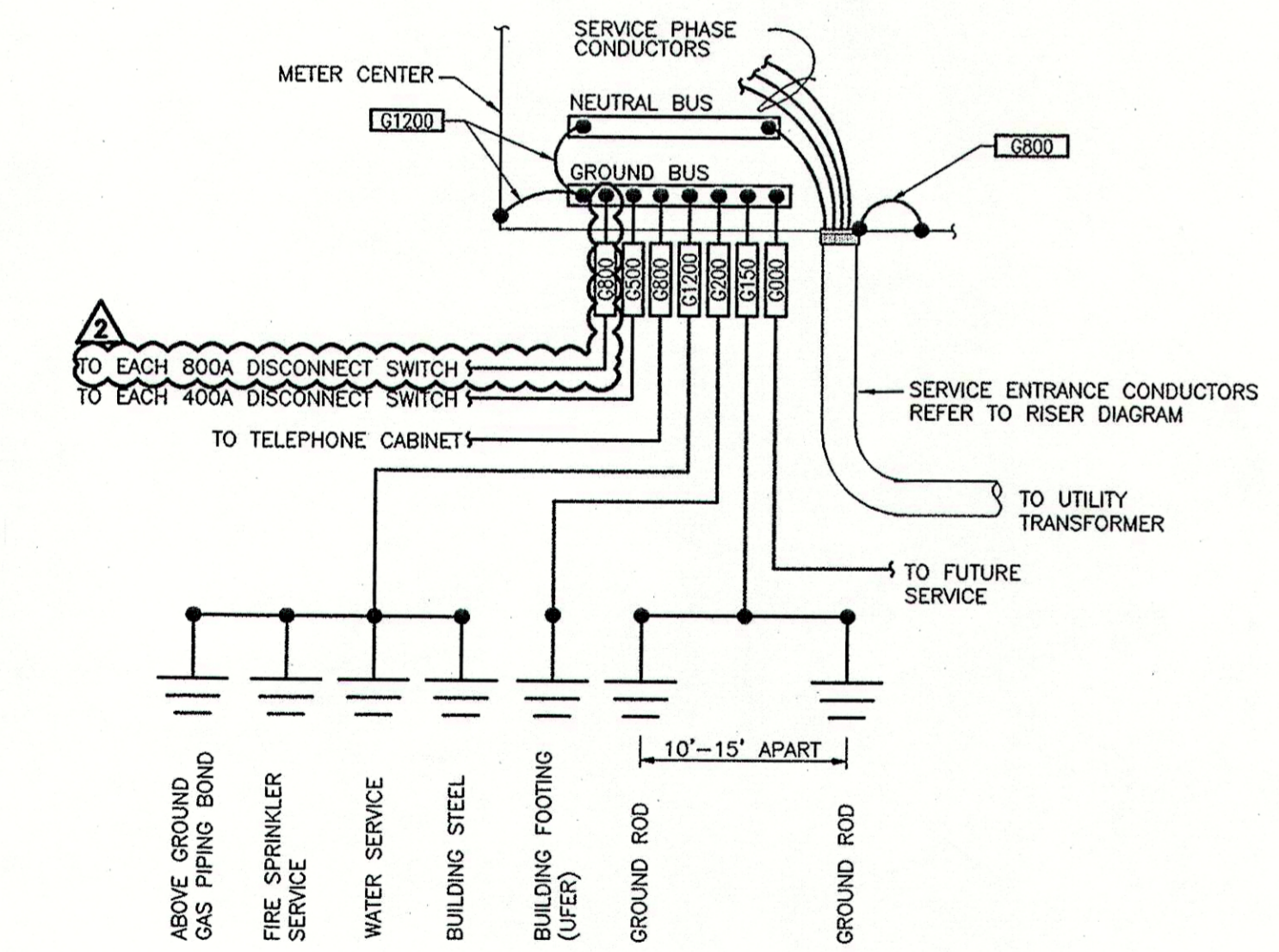
COORDINATE CONDUIT AND CONDUCTOR TERMINATION REQUIREMENTS AT THE TRANSFORMER WITH THE LOCAL ELECTRIC UTILITY COMPANY.



800A DISCONNECT

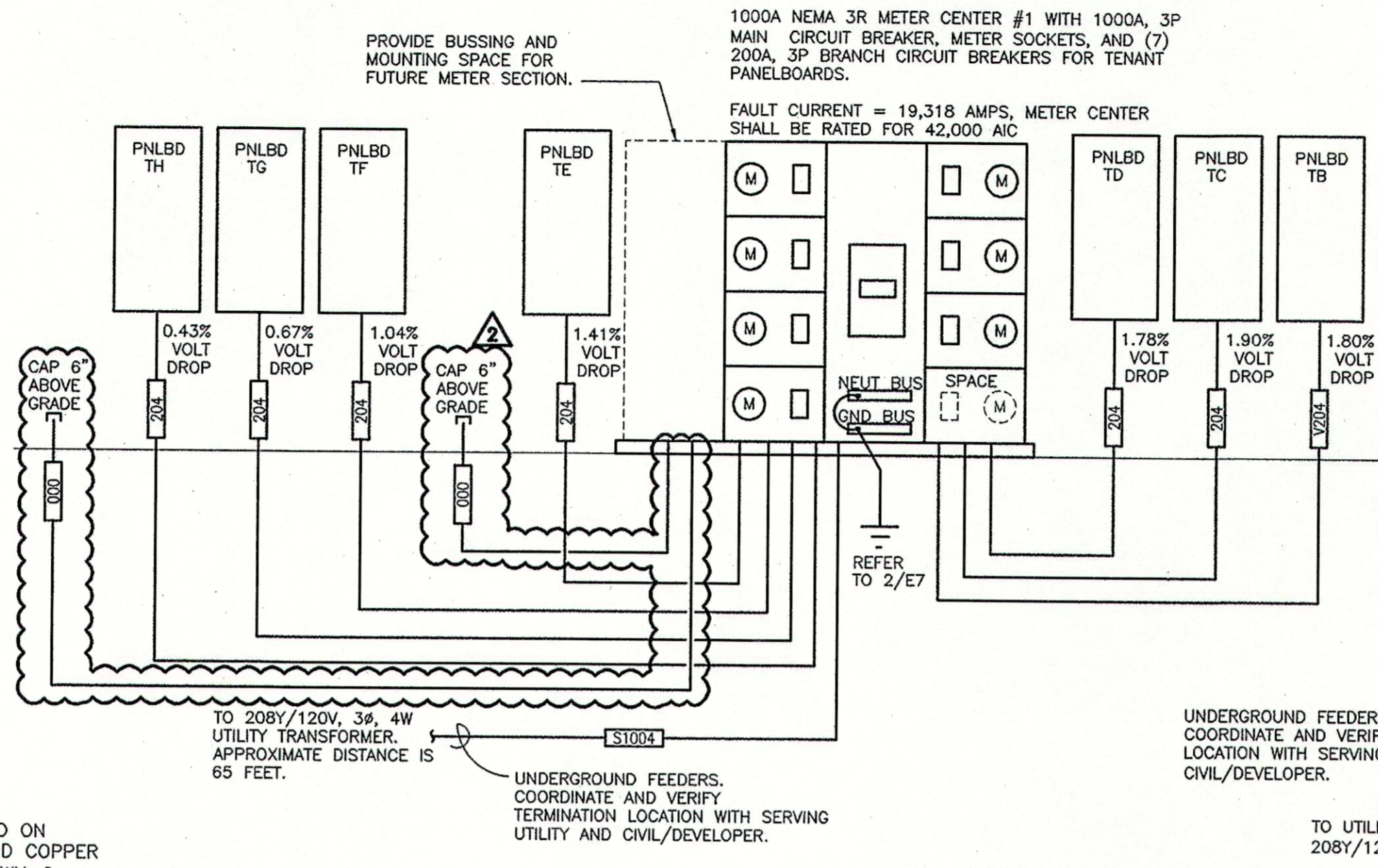


400A DISCONNECT



3 SERVICE GROUNDING DETAIL FOR METER CENTERS #1 & #2 NOT TO SCALE

LABEL METERCENTER #1 OF 2



2 ELECTRICAL RISER DIAGRAM METER CENTER #1 NO SCALE

CIRCUIT SCHEDULE:

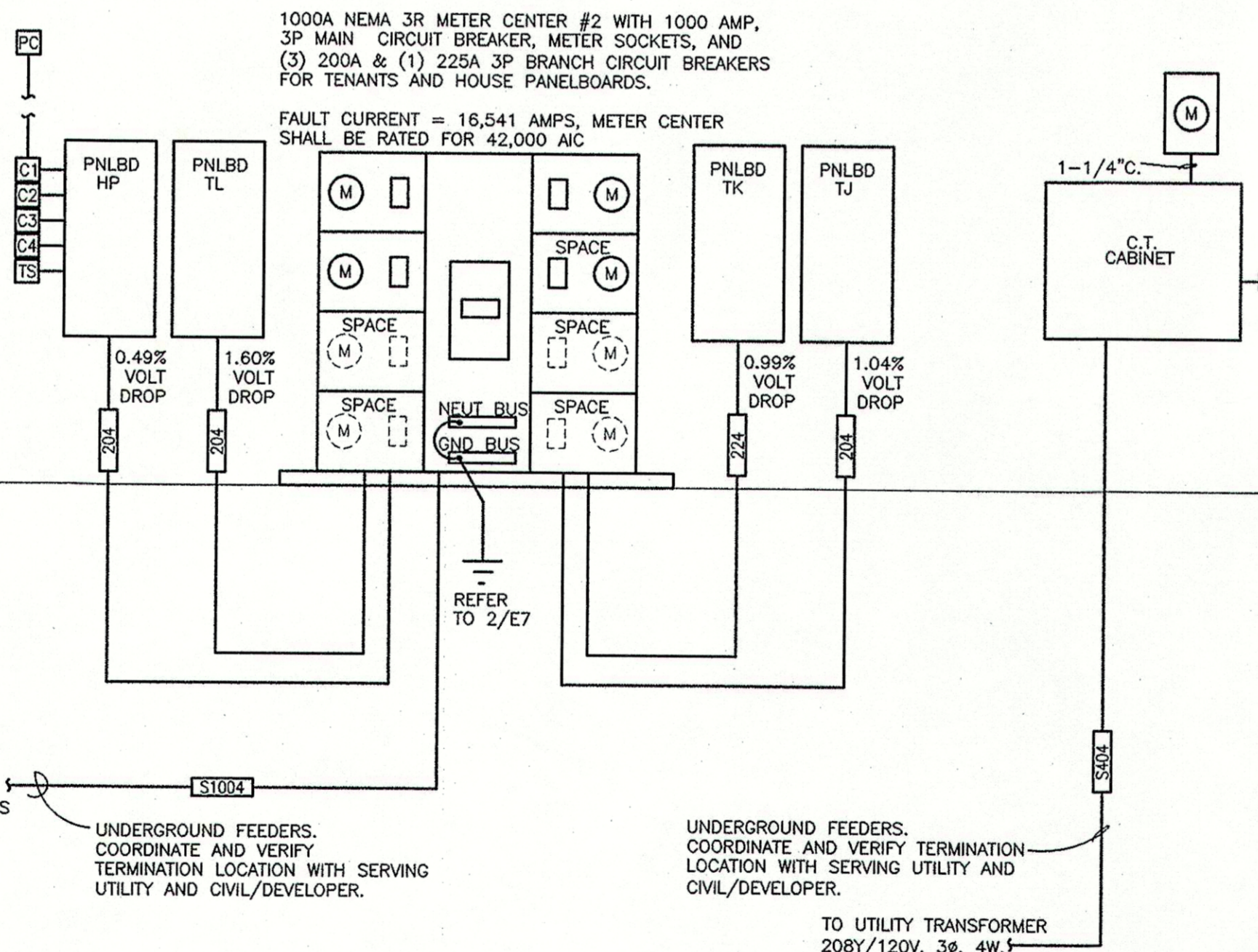
ALL CONDUCTOR SIZES ARE BASED ON 75 DEG C RATED TERMINATION AND COPPER CONDUCTORS WITH TYPE THHN/THWN-2 INSULATION. WHERE ALUMINUM CONDUCTORS ARE ALLOWED PER SPECIFICATIONS AND FOR TERMINATION OR INSULATION TYPES RATED LESS THAN 75 DEG C, MODIFY SIZES ACCORDING TO NFPA 70.

- [L300] 2" EMPTY CONDUIT
- [204] 200A, (4)#3/0, (1)#6G, 2" C
- [224] 225A, (4)#4/0, (1)#4G, 2-1/2" C
- [804] 800A, (3) 3" C, EACH W/ (4)-300kcmil, (1) #2/0G
- [G1200] 1" CONDUIT FOR FUTURE GROUND
- [G1200] GND, #3/0 COPPER GROUND, 1" C
- [G150] GND, #6 COPPER GROUND, 3/4" C
- [G200] GND, #4 COPPER GROUND, 3/4" C
- [G500] GND, #1/0 COPPER GROUND, 1" C
- [G800] GND, #2/0 COPPER GROUND, 1" C
- [S1004] 1000A, (3) 3" C, EACH W/ (4)-400kcmil
- [S404] 400A, (2) 2" C, EACH W/ (4)#3/0
- [S804] 800A, (3) 3" C, EACH W/ (4)-300kcmil
- [Y20] 200A, (4)#4/0, (1)#4G, 2-1/2" C

METER CENTER #1 ELECTRICAL SERVICE LOAD SUMMARY

LOAD DESCRIPTION	SERVICE DESCRIPTION: 208Y/120V, 3PH, 4W		
	Connected KVA	Demand Factor	Demand KVA
HVAC - SUMMER	85.25	100%	85.25
HVAC - WINTER	0.00	100%	0.00
LIGHTING (PER NEC-220)	57.12	125%	71.40
RECEPTACLES	18.15	100%	18.15
MOTOR LOADS	3.96	125%	4.95
LARGEST MOTOR LOAD	14.98	100%	14.98
SUPPLEMENTAL ELECTRIC HEAT	6.28	100%	6.28
MISCELLANEOUS EQUIPMENT	23.20	PER NEC	23.20
SHOW WINDOW / TRACK LIGHTING	36.00	PER NEC	45.00
TOTAL LOAD	235.80	KVA	257.94
TOTAL AMPACITY	853.96	AMPS	715.97
SERVICE AMPACITY	1000	AMPS	1000.00
SPARE CAPACITY		AMPS	284

LABEL METERCENTER #2 OF 2



1 ELECTRICAL RISER DIAGRAM METER CENTER #2 NO SCALE

METER CENTER #2 ELECTRICAL SERVICE LOAD SUMMARY

LOAD DESCRIPTION	SERVICE DESCRIPTION: 208Y/120V, 3PH, 4W		
	Connected KVA	Demand Factor	Demand KVA
HVAC - SUMMER	81.09	100%	81.09
HVAC - WINTER	0.00	100%	0.00
LIGHTING (PER NEC-220)	47.10	125%	58.88
RECEPTACLES	9.84	100%	9.84
MOTOR LOADS	14.60	100%	14.60
LARGEST MOTOR LOAD	3.96	125%	4.95
SUPPLEMENTAL ELECTRIC HEAT	4.50	100%	4.50
MISCELLANEOUS EQUIPMENT	4.51	100%	4.51
DISPLAY CASE/SIGNAGE	27.60	125%	34.50
SHOW WINDOW / TRACK LIGHTING	23.20	PER NEC	29.00
EXTERIOR LIGHTING	17.13	125%	21.41
TOTAL LOAD	233.54	KVA	263.28
TOTAL AMPACITY	649.23	AMPS	730.80
SERVICE AMPACITY	1000	AMPS	1000.00
SPARE CAPACITY		AMPS	298

REV	DESCRIPTION	DATE	BY
A/8/28/07	REVISION #1		
A/3/04/08	REVISION #3		

DDG DUPLANTIS DESIGN GROUP, PC
Respect Integrity • Client Satisfaction • Excellence
THIBODAUX, LOUISIANA
MANDERLIE, LOUISIANA
314 East Bayou Road
Thibodaux, Louisiana 70301
Phone: 985.447.0090
Fax: 985.447.0095

SIGNATURE: _____ DATE: _____
ELECTRICAL ENGINEERING
3-5-08

PROPOSED RETAIL DEVELOPMENT
CITY OF BOULTE
ST. CHARLES PARISH, LOUISIANA
FOR THE SPECTRA GROUP, INC.
MEMPHIS, TENNESSEE

DRAWN: FLS
CHECKED: MIM
DATE: 8/13/07
SCALE: AS NOTED ON DWG
PROJECT NO.: 0750001106
FILE: 0750001106E7.DWG
SHEET: E7