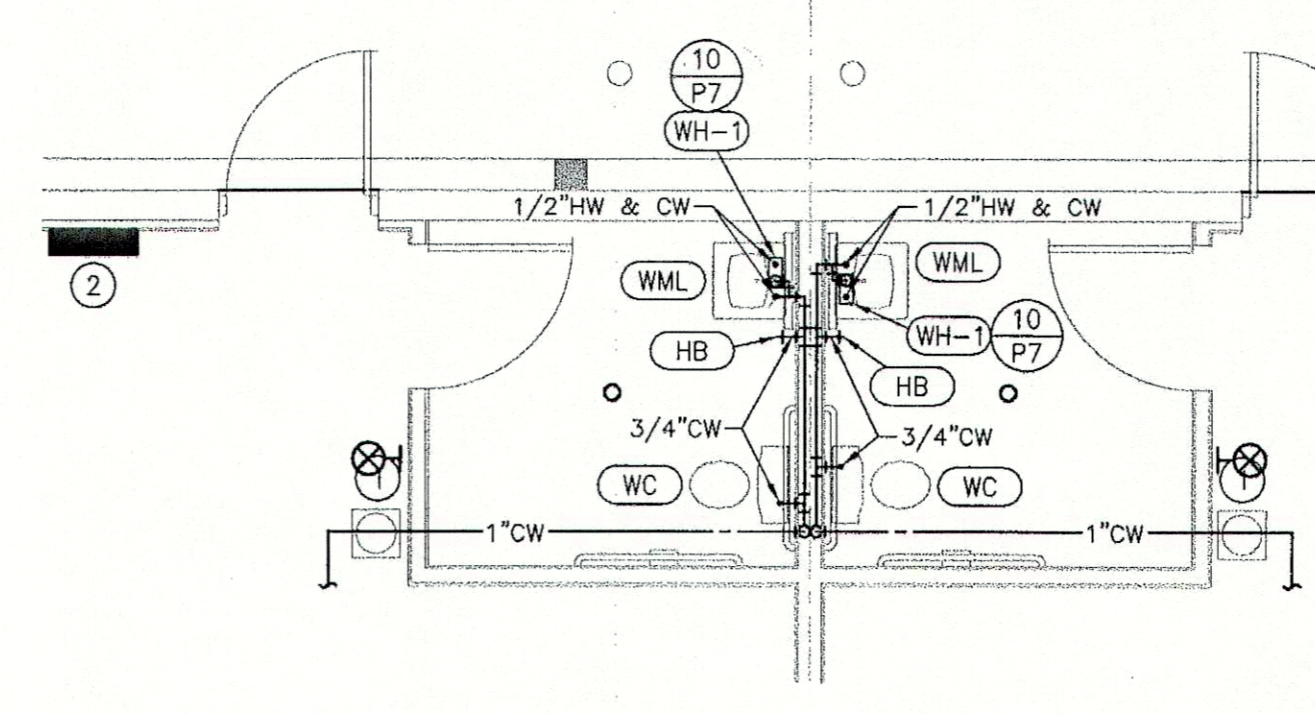
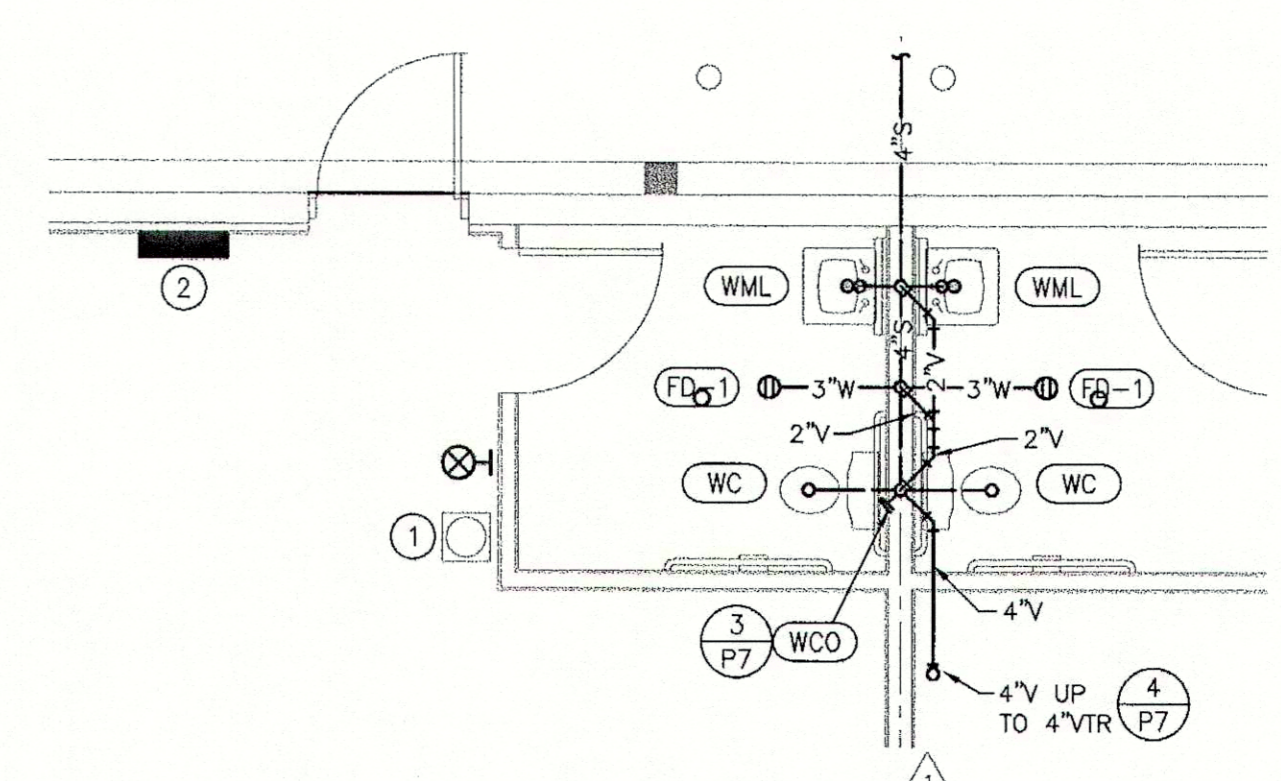


**3** TENANT "F" "H"  
ENLARGED SANITARY PLAN  
SCALE: 1/4"=1'-0"

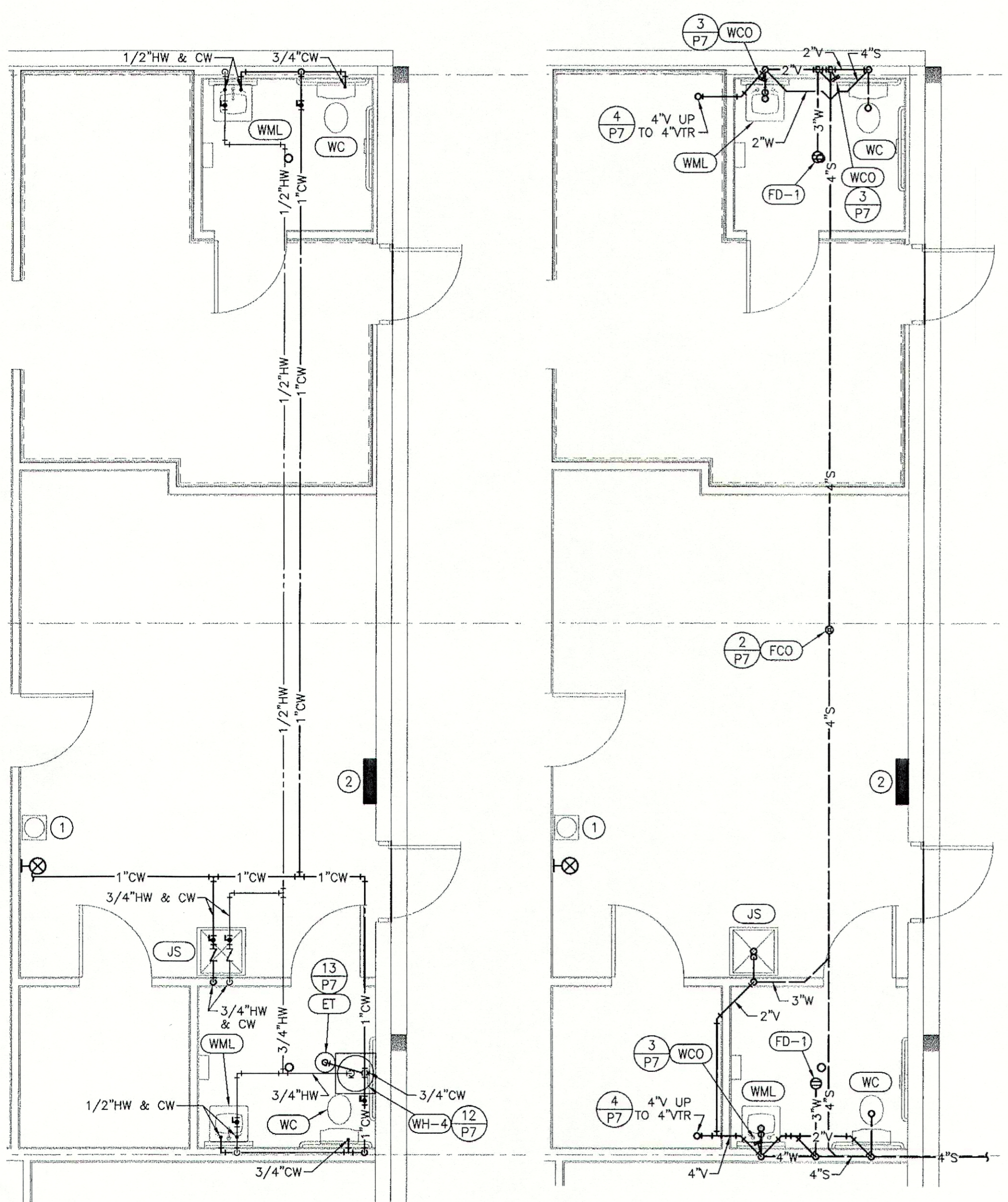


**2** TENANT "B" "C"  
ENLARGED WATER PLAN  
SCALE: 1/4"=1'-0"



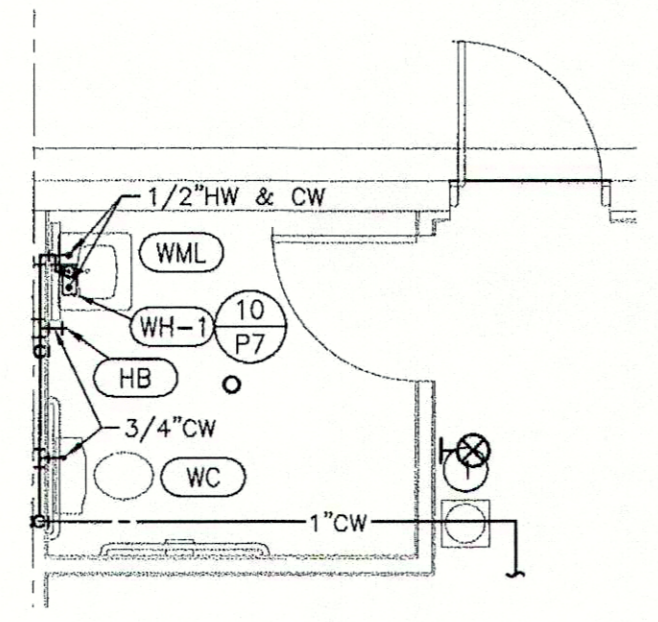
**1** TENANT "B" "C"  
ENLARGED SANITARY PLAN  
SCALE: 1/4"=1'-0"

**PLUMBING PLAN NOTES:**  
 1 BOTTLED WATER DISPENSER PROVIDED BY TENANT. NOT IN CONTRACT.  
 2 NO PLUMBING RELATED PIPING SHALL BE ROUTED OVER ELECTRICAL PANELS.

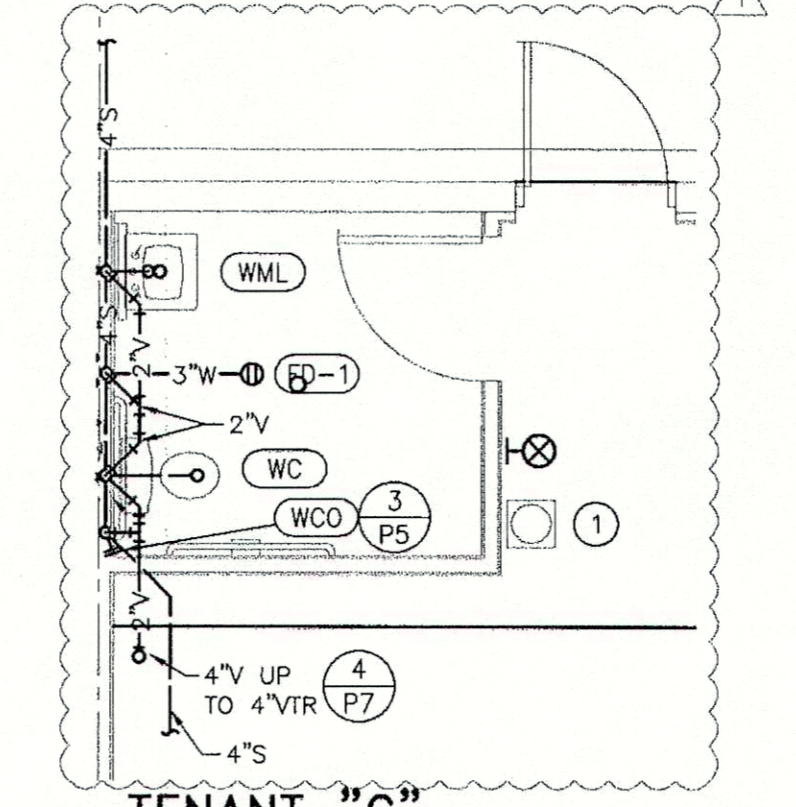


**8** TENANT "J"  
ENLARGED WATER PLAN  
SCALE: 1/4"=1'-0"

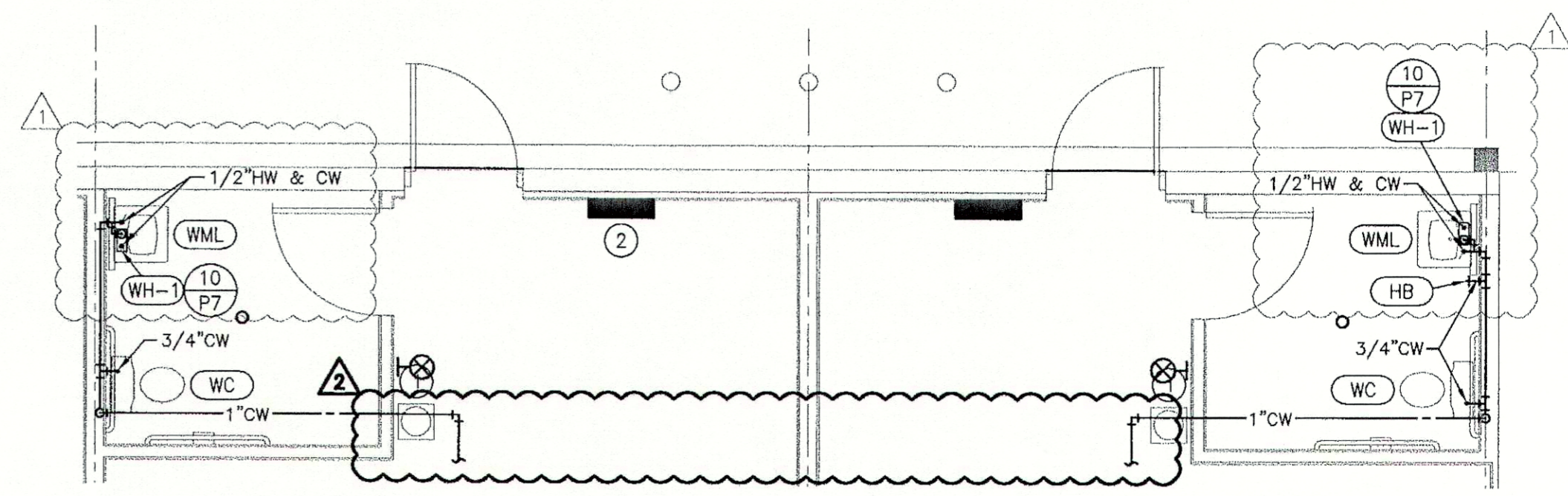
**7** TENANT "J"  
ENLARGED SANITARY PLAN  
SCALE: 1/4"=1'-0"



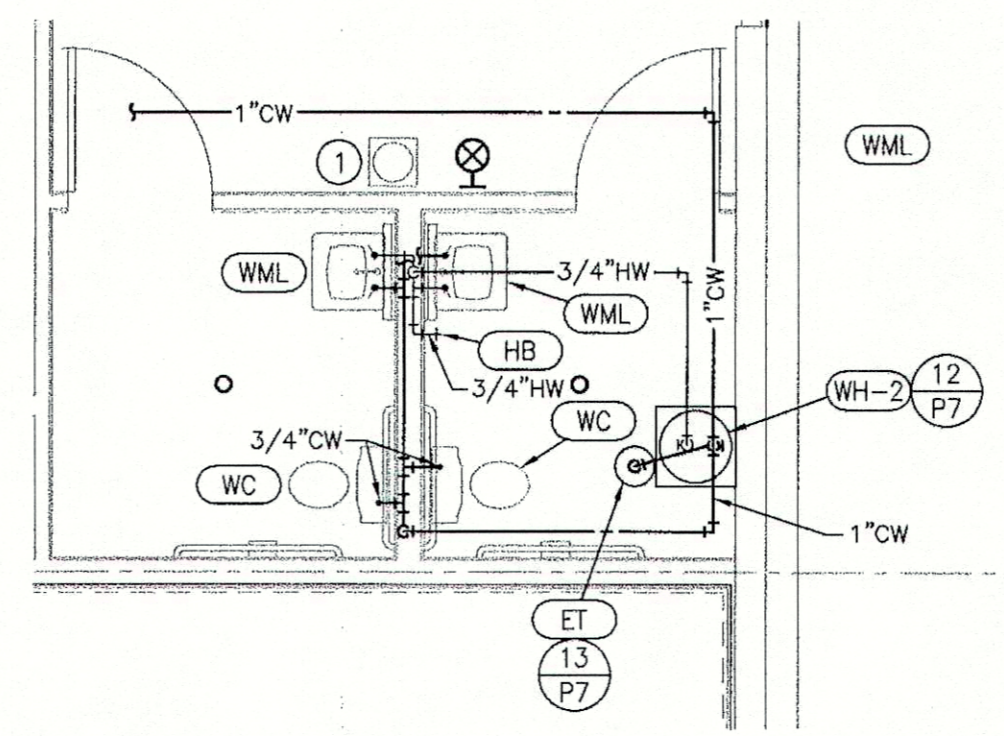
**6** TENANT "G"  
ENLARGED WATER PLAN  
SCALE: 1/4"=1'-0"



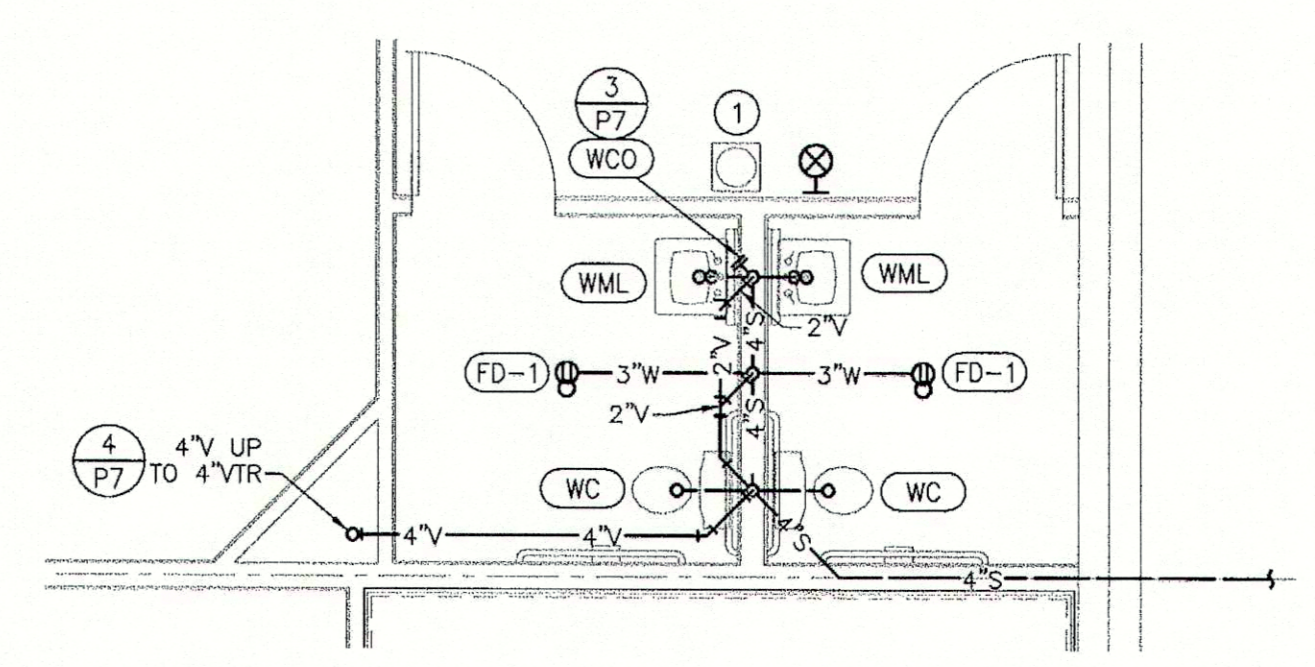
**5** TENANT "G"  
ENLARGED SANITARY PLAN  
SCALE: 1/4"=1'-0"



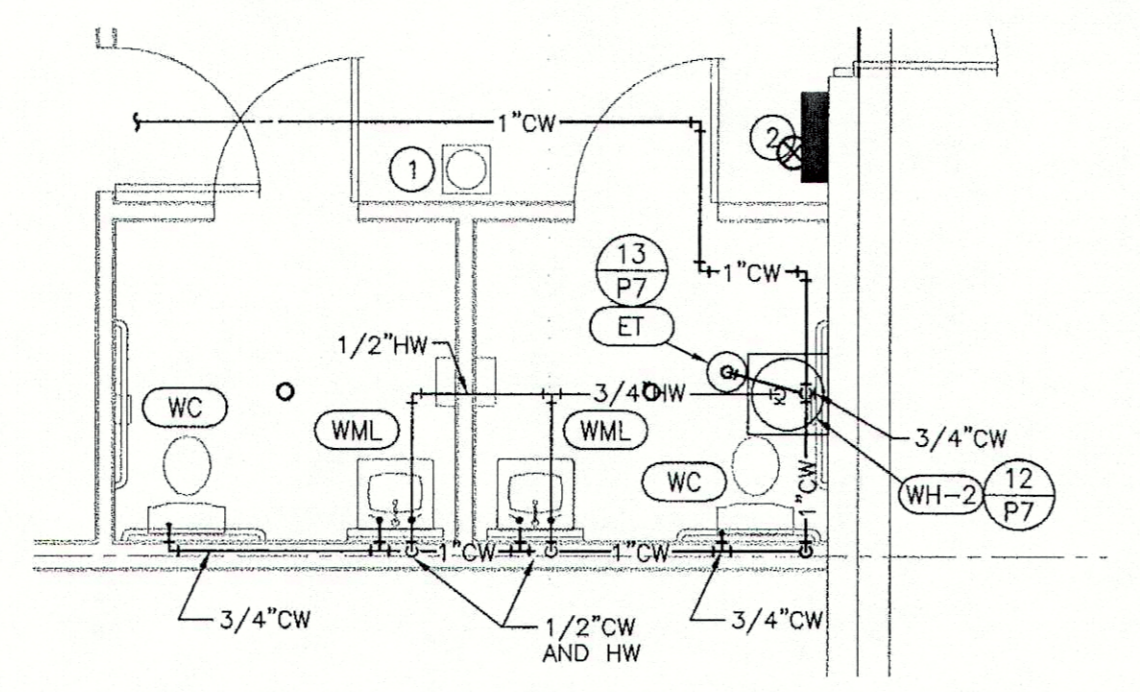
**4** TENANT "F" "H"  
ENLARGED WATER PLAN  
SCALE: 1/4"=1'-0"



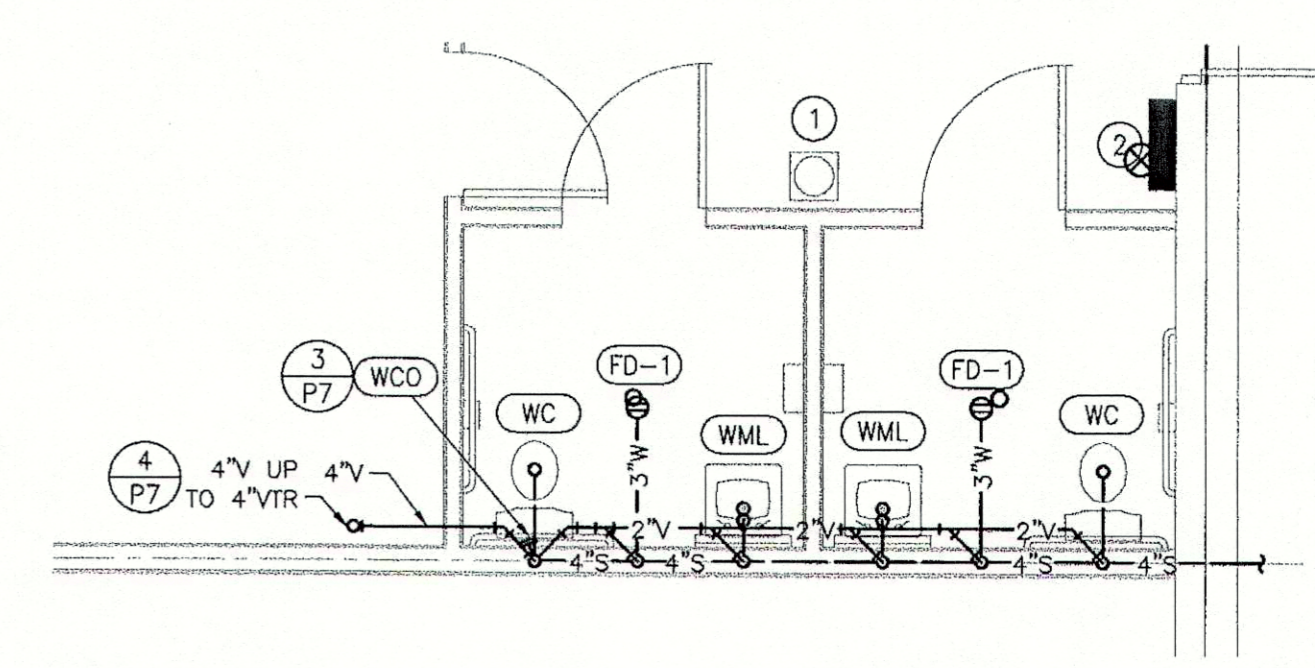
**10** TENANT "K"  
ENLARGED WATER PLAN  
SCALE: 1/4"=1'-0"



**9** TENANT "K"  
ENLARGED SANITARY PLAN  
SCALE: 1/4"=1'-0"



**12** TENANT "L"  
ENLARGED WATER PLAN  
SCALE: 1/4"=1'-0"



**11** TENANT "L"  
ENLARGED SANITARY PLAN  
SCALE: 1/4"=1'-0"

REVISION #	DATE	DESCRIPTION	BY
3	08/04/08		
5	08/04/08		

**DDG DUPLANTIS DESIGN GROUP, PC**  
 Respect • Integrity • Client Satisfaction • Excellence  
 HOUSTON, TEXAS  
 THIBODAUX, LOUISIANA  
 MANDERLILLE, LOUISIANA  
 Civil Engineering • Site Development • Land Planning • Public Works • Architecture  
 314 East Bayou Road  
 Thibodaux, Louisiana 70091  
 Phone: 985-447-0090  
 Fax: 985-447-7099

SIGNATURE: \_\_\_\_\_ DATE: \_\_\_\_\_  
  
 STAMP: 10/31/08

PROPOSED RETAIL DEVELOPMENT  
 CITY OF BOUTTE  
 ST. CHARLES PARISH, LOUISIANA  
 FOR THE SPECTRA GROUP, INC.  
 MEMPHIS, TENNESSEE

**HENDERSON ENGINEERS**  
 8925 LENEXA DRIVE  
 LENEXA, KS 66214  
 TEL 913 742 5000 FAX 913 742 5001  
 www.h-e-i-e-n-g.com  
 075001106

DRAWN: CRM  
 CHECKED: WWR  
 DATE: 8/19/07  
 SCALE: AS NOTED ON DWG  
 PROJECT NO.: 0750001106  
 FILE: 0750001106P4.DWG  
 SHEET: **P4**