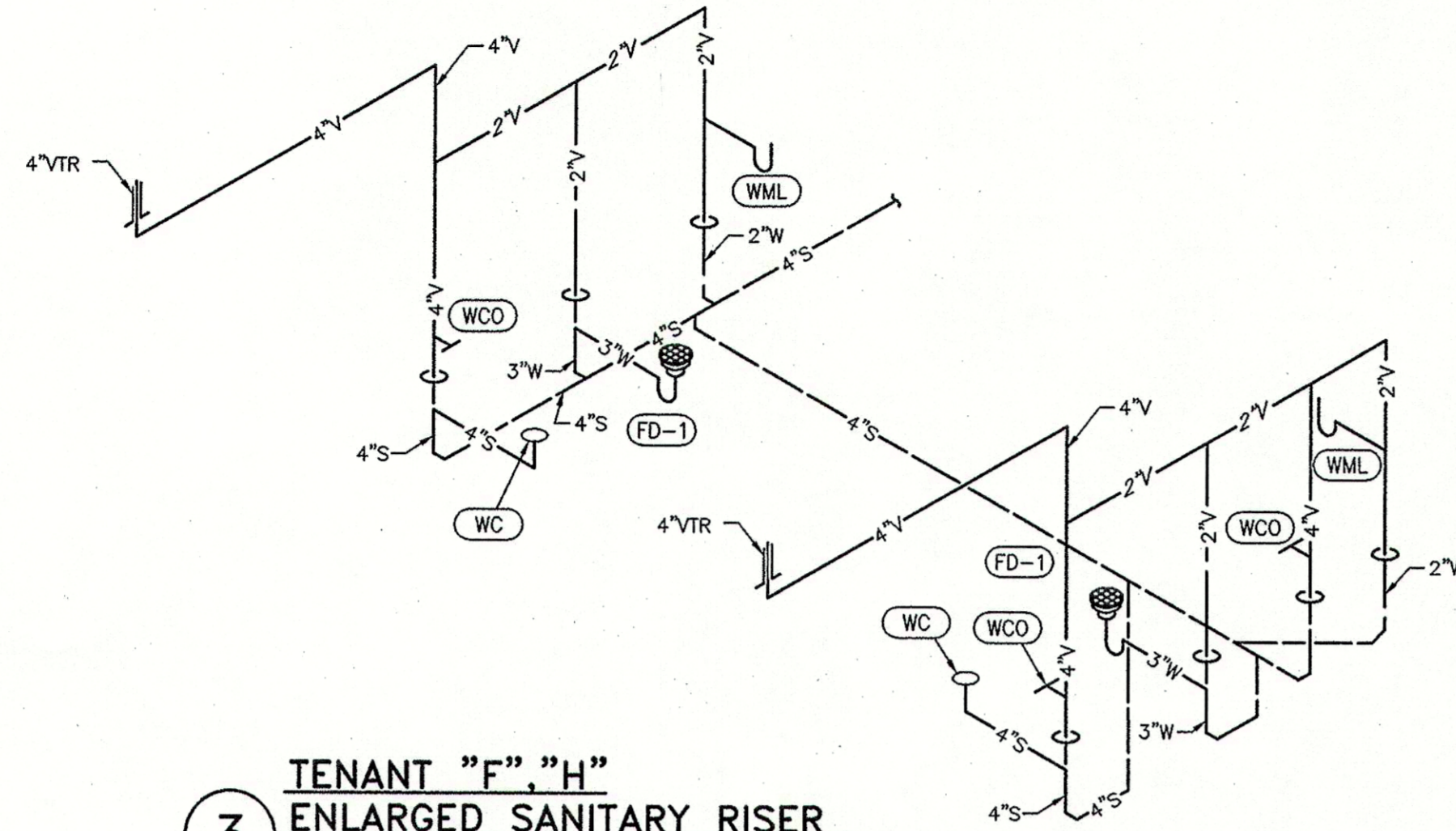
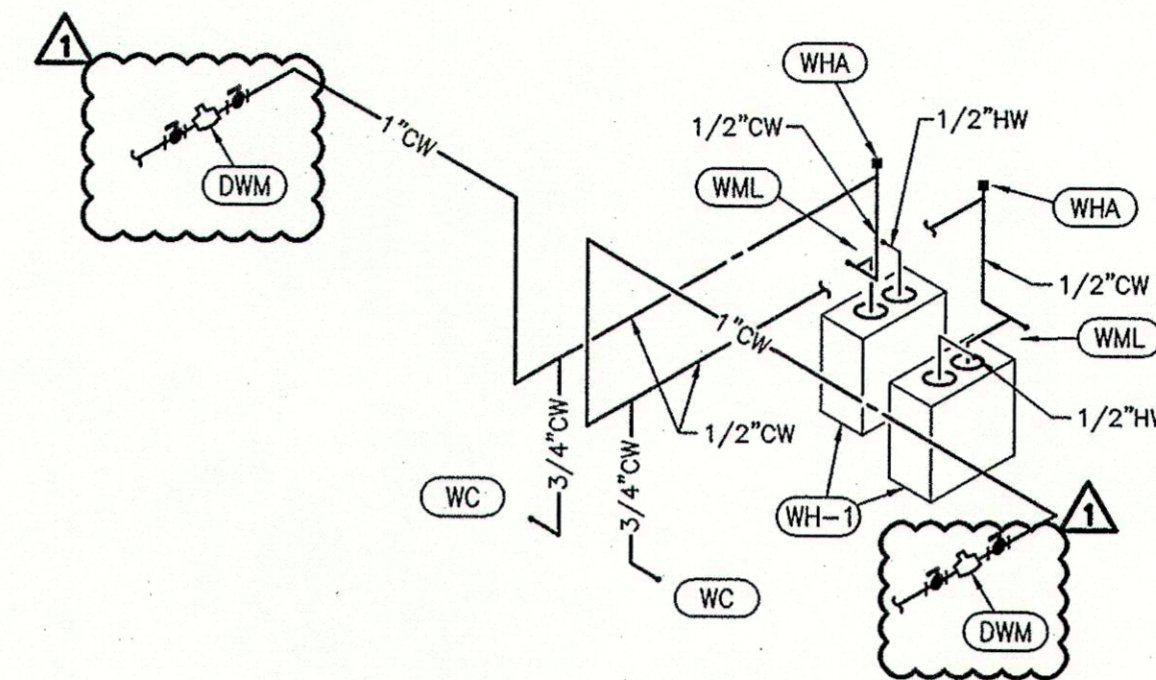


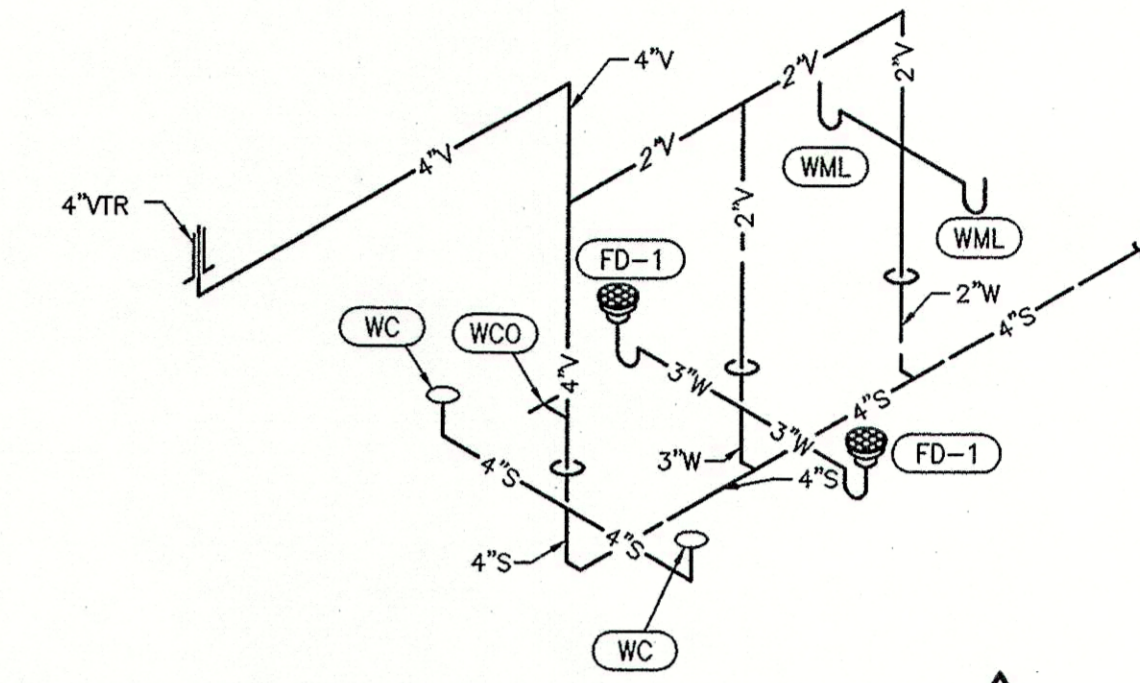
4 **TENANT "F","H"**
ENLARGED WATER RISER
NTS



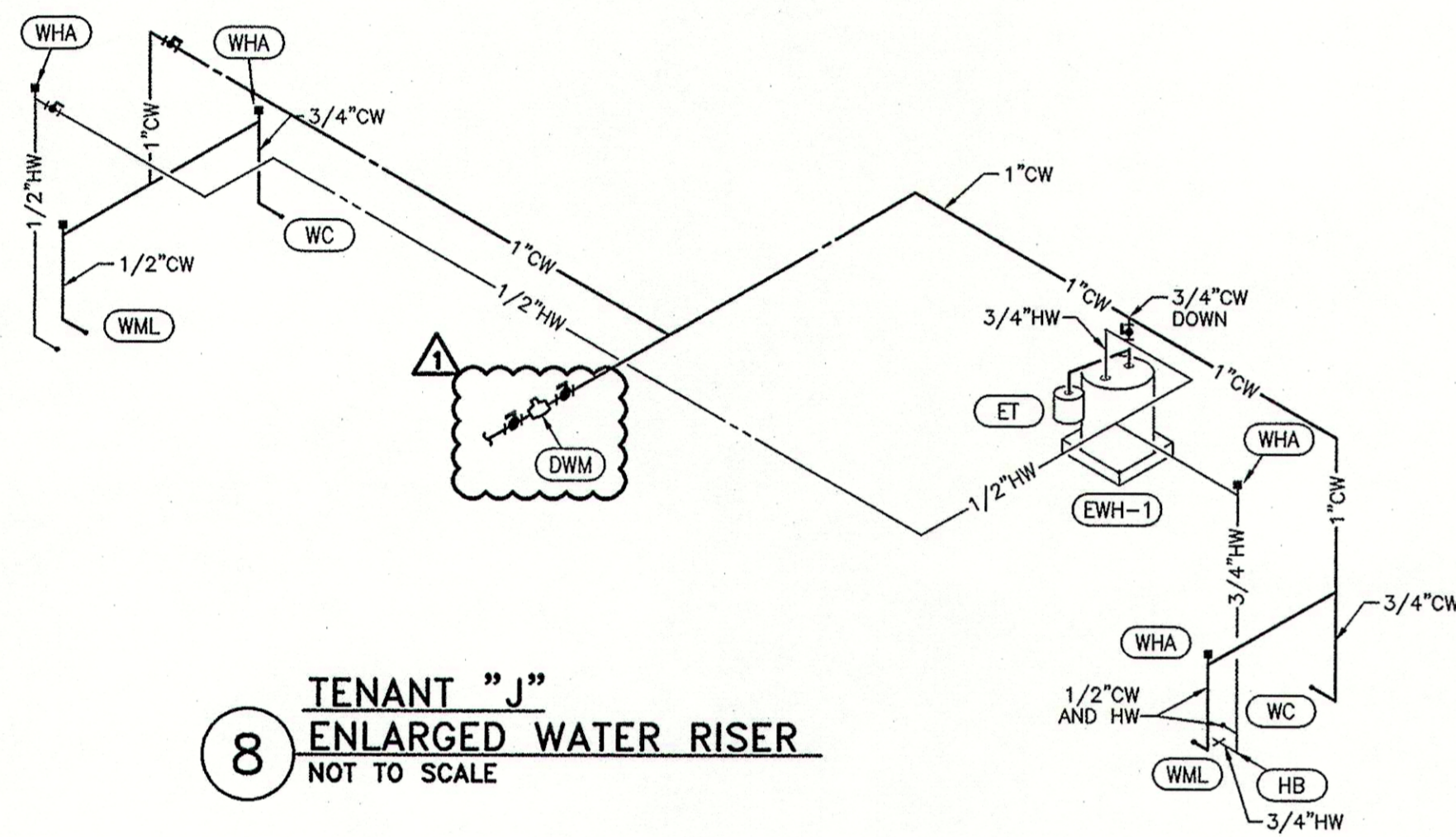
3 **TENANT "F","H"**
ENLARGED SANITARY RISER
NTS



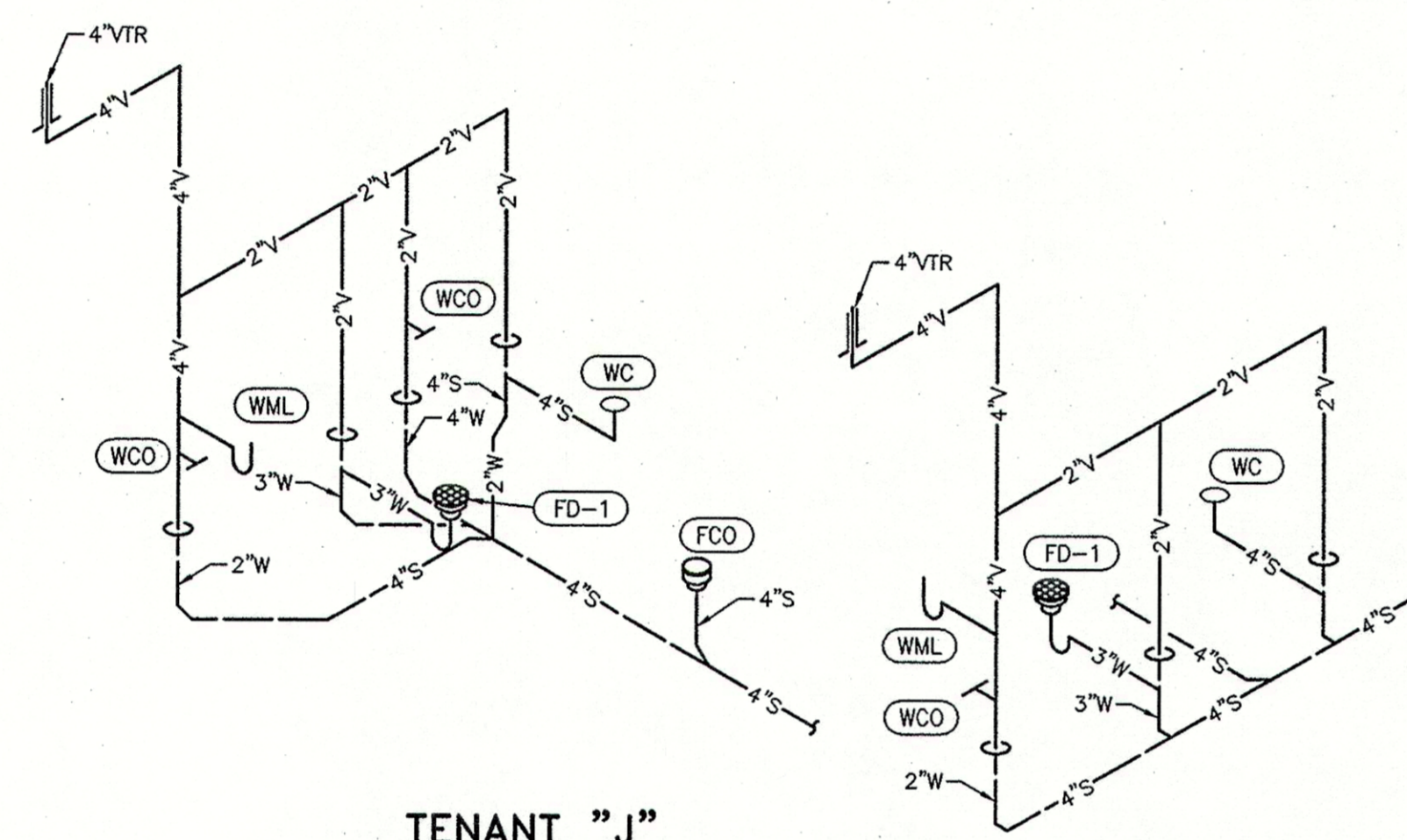
2 **TENANT "B","C"**
ENLARGED WATER RISER
NTS



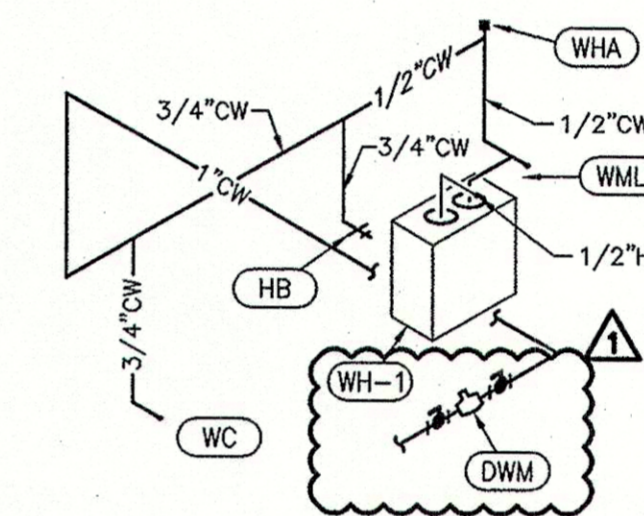
1 **TENANT "B","C"**
ENLARGED SANITARY RISER
NTS



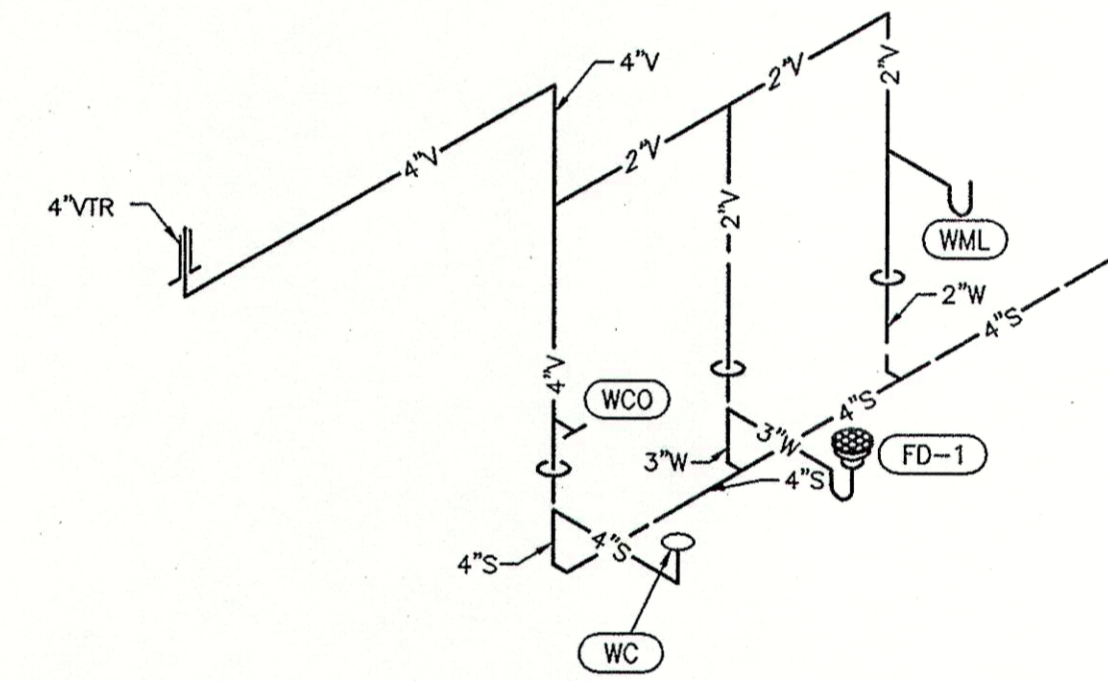
8 **TENANT "J"**
ENLARGED WATER RISER
NOT TO SCALE



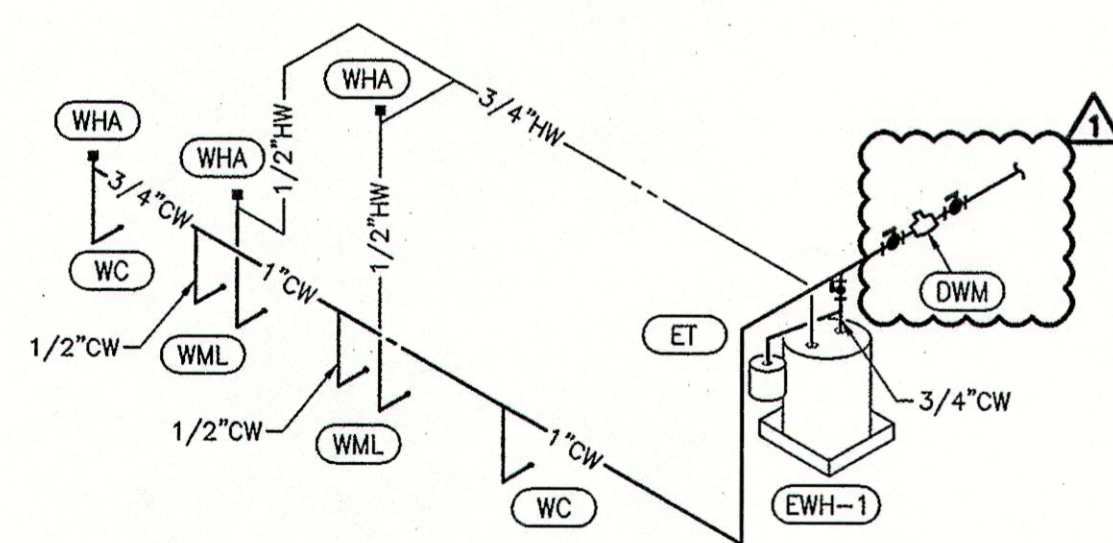
7 **TENANT "J"**
ENLARGED SANITARY RISER
SCALE: NTS



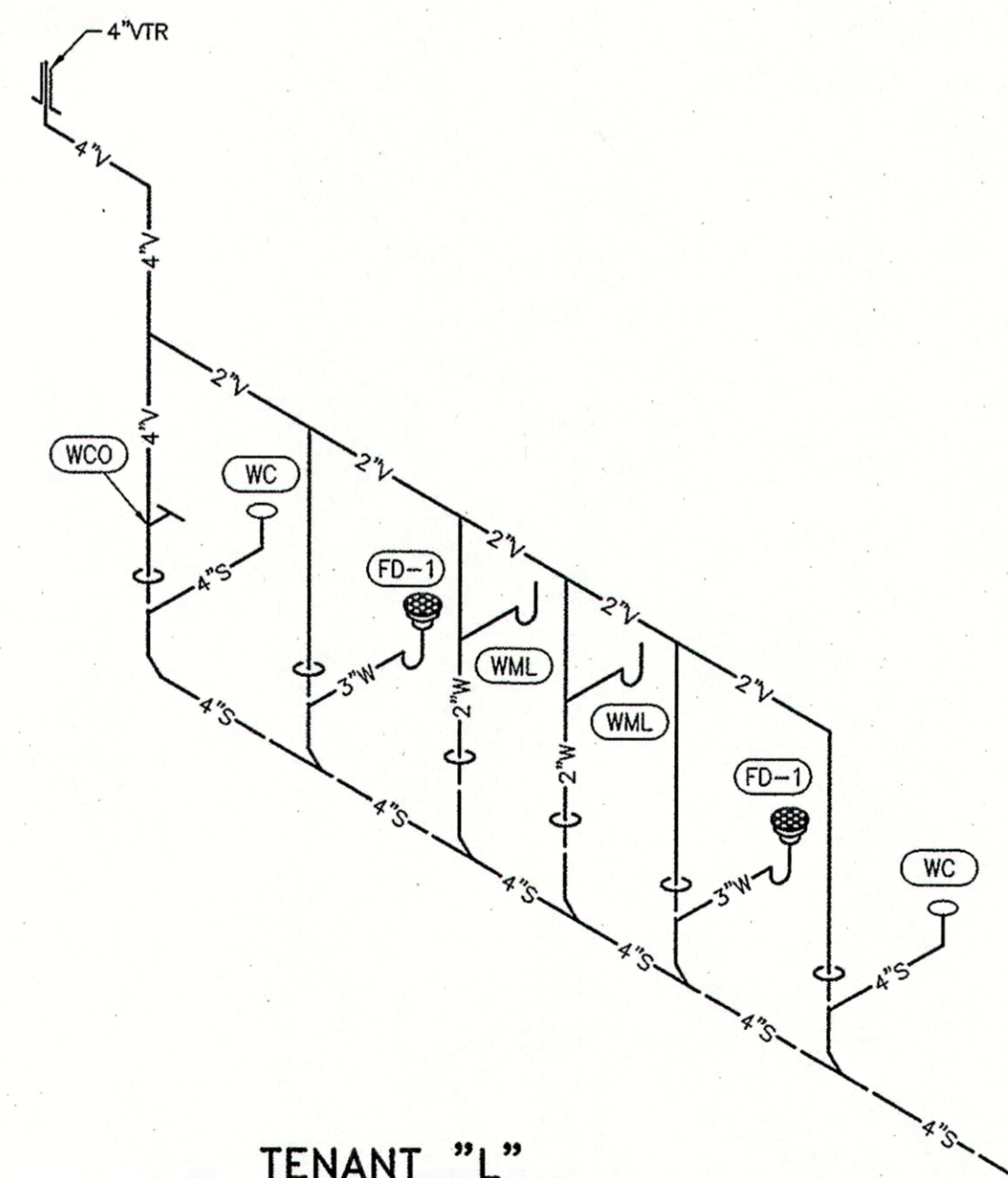
6 **TENANT "G"**
ENLARGED WATER RISER
NTS



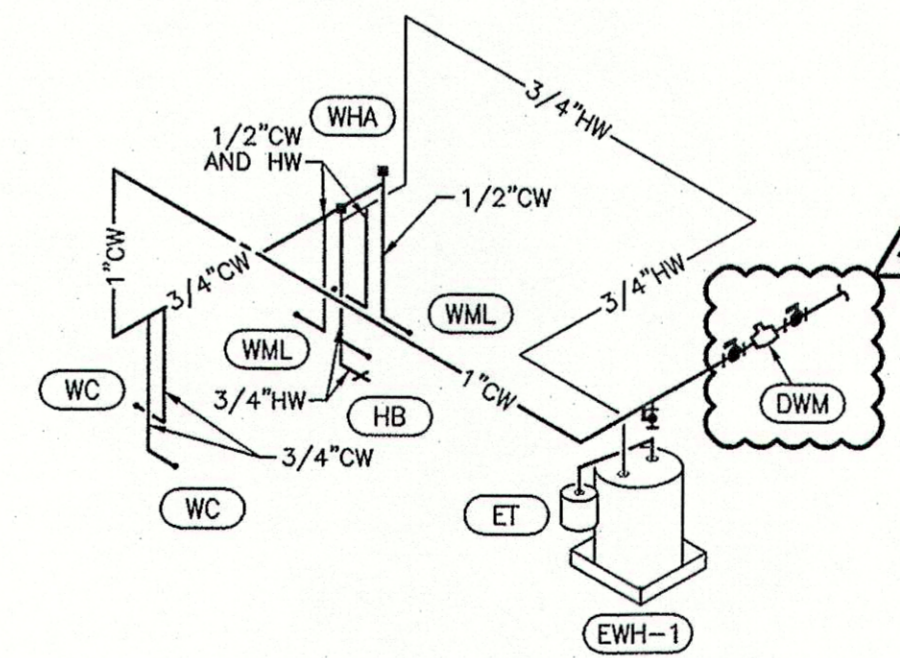
5 **TENANT "G"**
ENLARGED SANITARY RISER
NTS



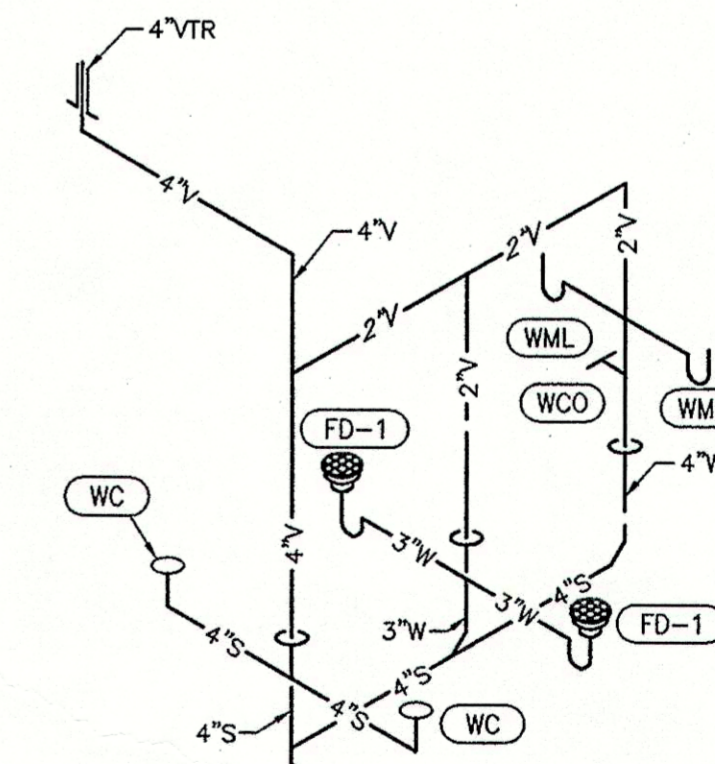
12 **TENANT "L"**
ENLARGED WATER RISER
NTS



11 **TENANT "L"**
ENLARGED SANITARY RISER
NTS



10 **TENANT "K"**
ENLARGED WATER RISER
NTS



9 **TENANT "K"**
ENLARGED SANITARY RISER
NTS

NO.	REVISION #	DATE	DESCRIPTION	BY
1	3/04/08			

DDG DUPLANTIS DESIGN GROUP, PC
Respect • Integrity • Client Satisfaction • Excellence
 HOUSTON
 THIBODAUX MANDEVILLE
 Civil Engineering • Site Development • Public Works • Architecture
 Land Planning • Land Planning • Land Planning
 Phone: 985.447.7000
 Fax: 985.447.7000

STATE OF LOUISIANA
 DUANE S. HENDERSON
 License No. 25329
 PROFESSIONAL ENGINEER
 IN
 MECHANICAL ENGINEERING
 3/5/08

PROPOSED RETAIL DEVELOPMENT
 CITY OF BOUTTE
 ST. CHARLES PARISH, LOUISIANA
 FOR THE SPECTRA GROUP, INC.
 MEMPHIS, TENNESSEE

DRAWN	CRM
CHECKED	WWR
DATE	8/18/07
SCALE	AS NOTED ON DWG
PROJECT NO.	0750001106
FILE	0750001106P5.DWG
SHEET	8

HENDERSON ENGINEERS
 8325 LENEVA DRIVE
 LENOXA, MS 39214
 TEL 913 742 5000 FAX 913 742 5001
 www.hel-eng.com
 0750001106