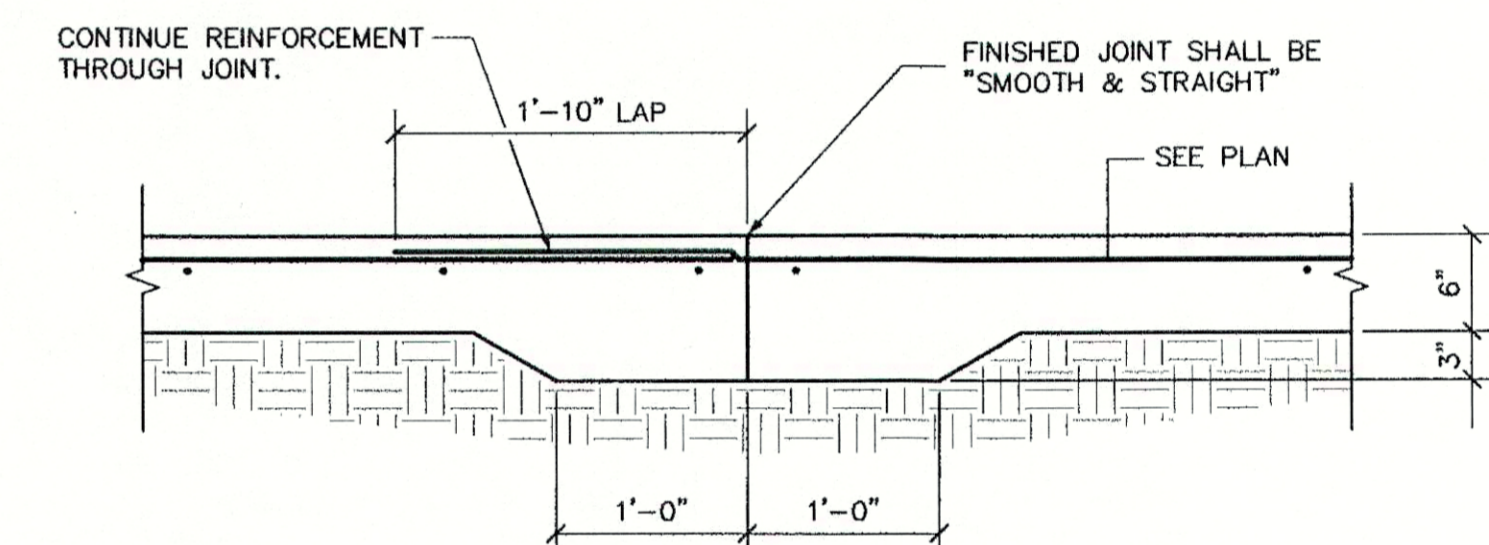
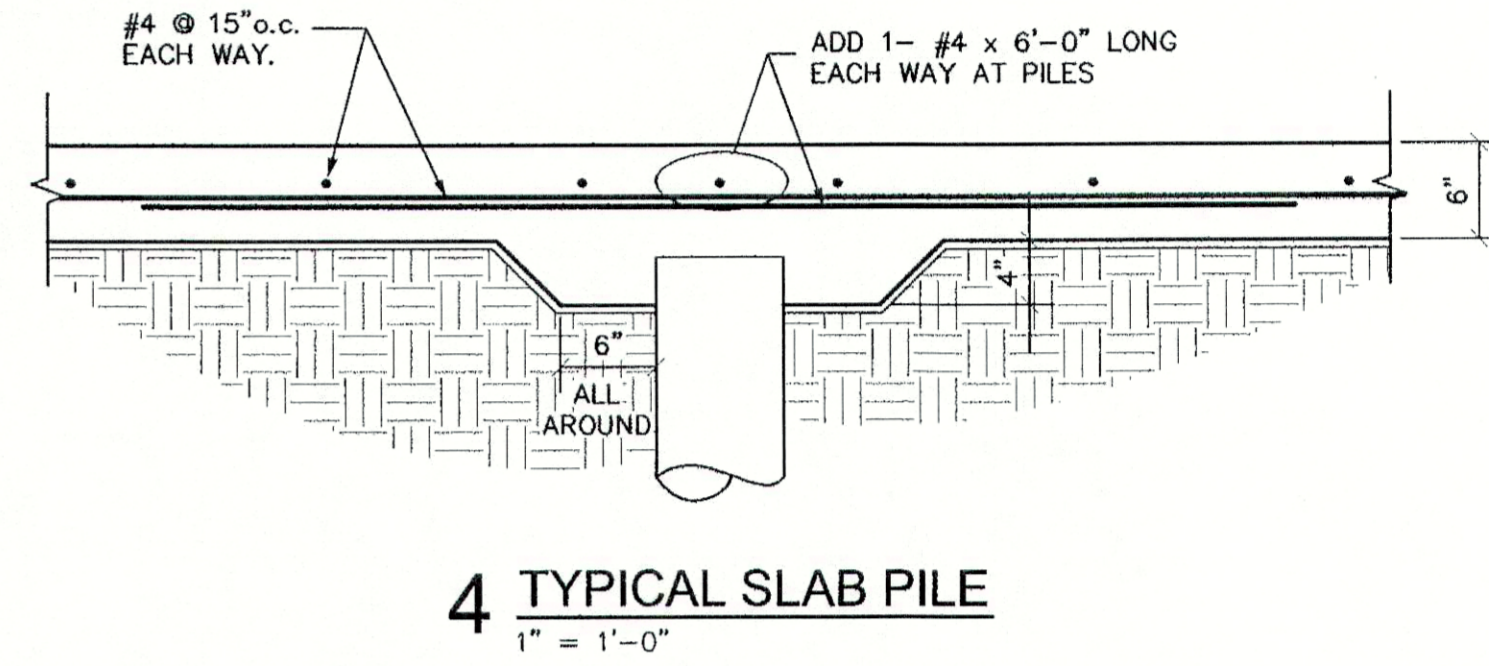
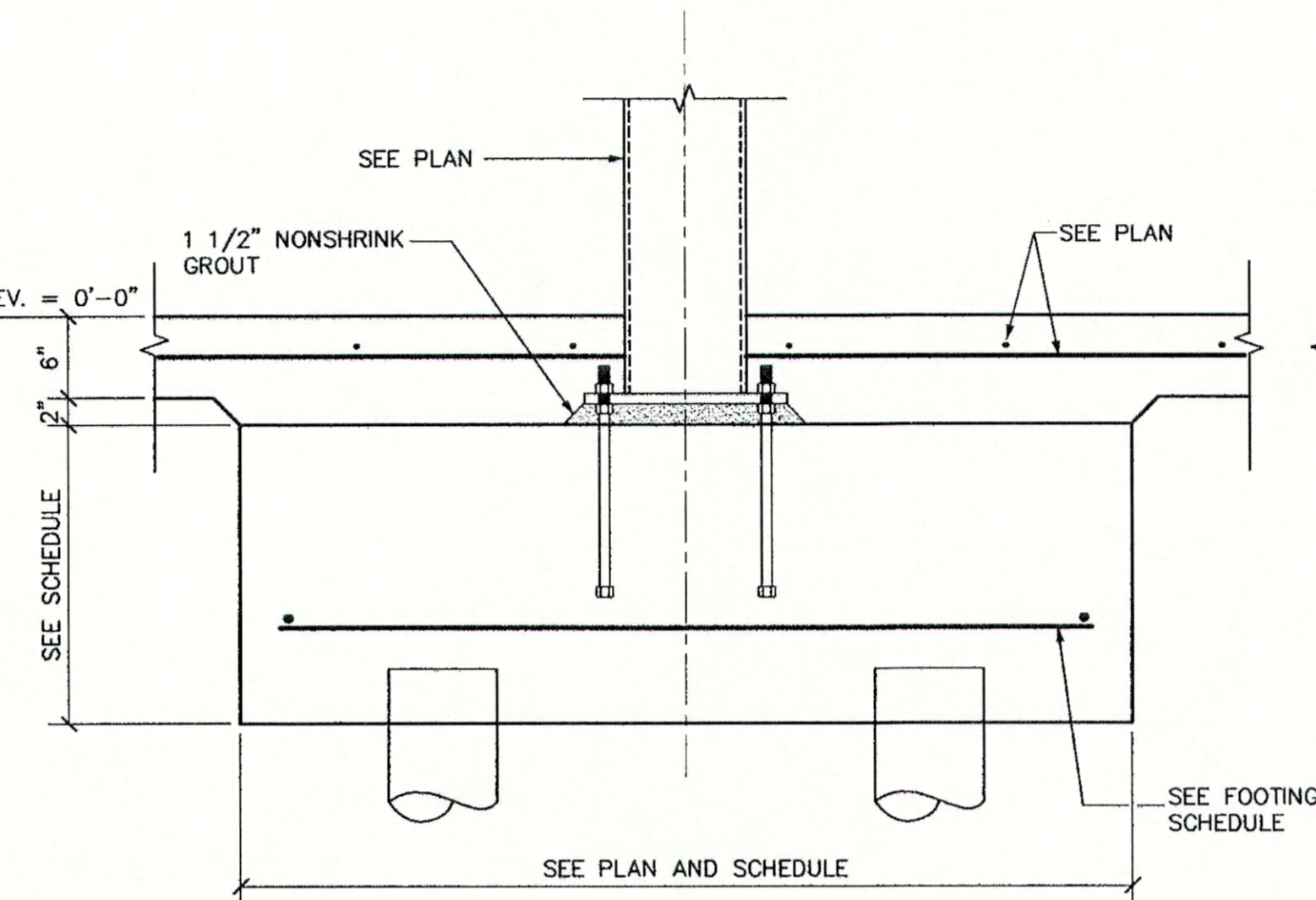
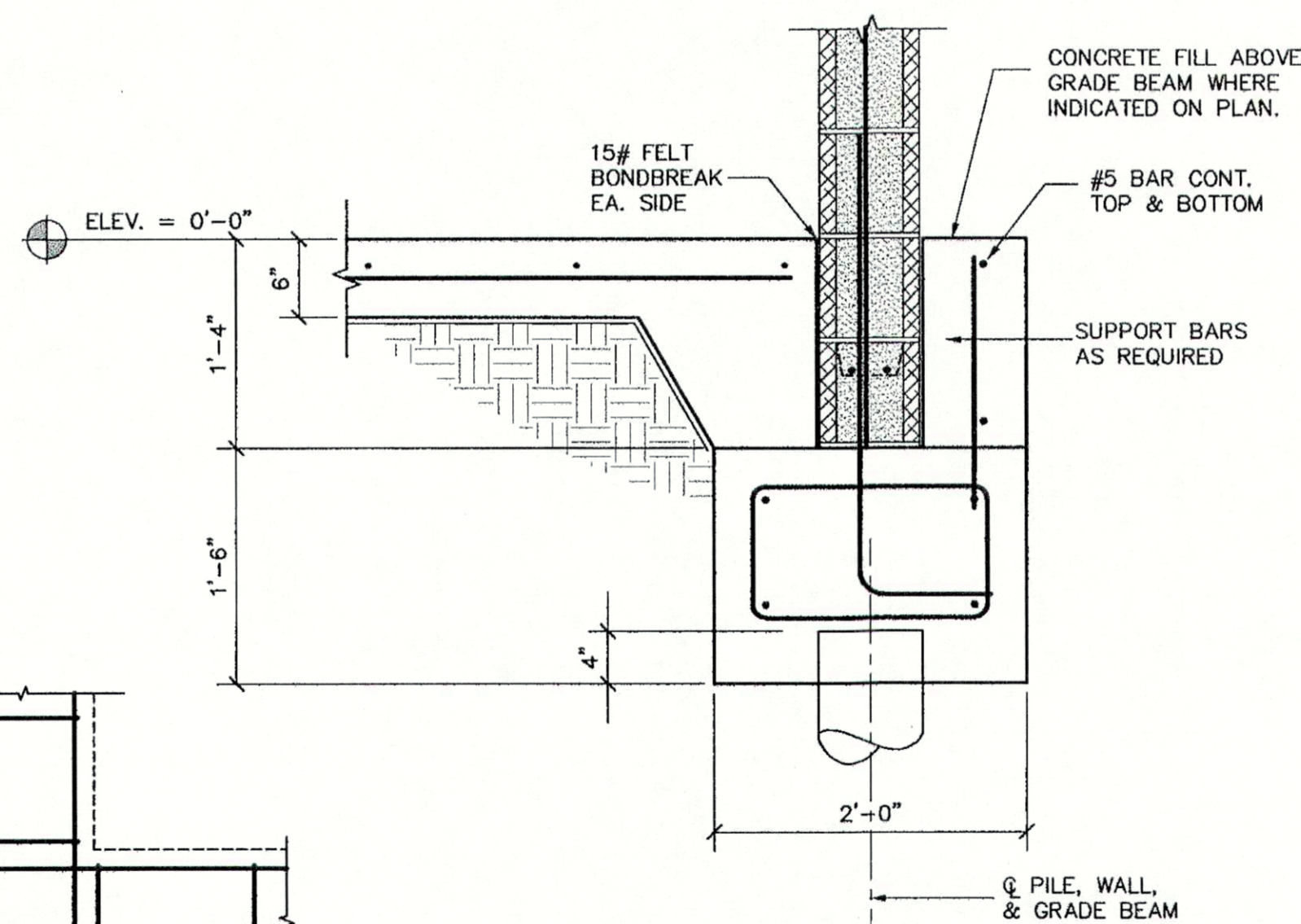
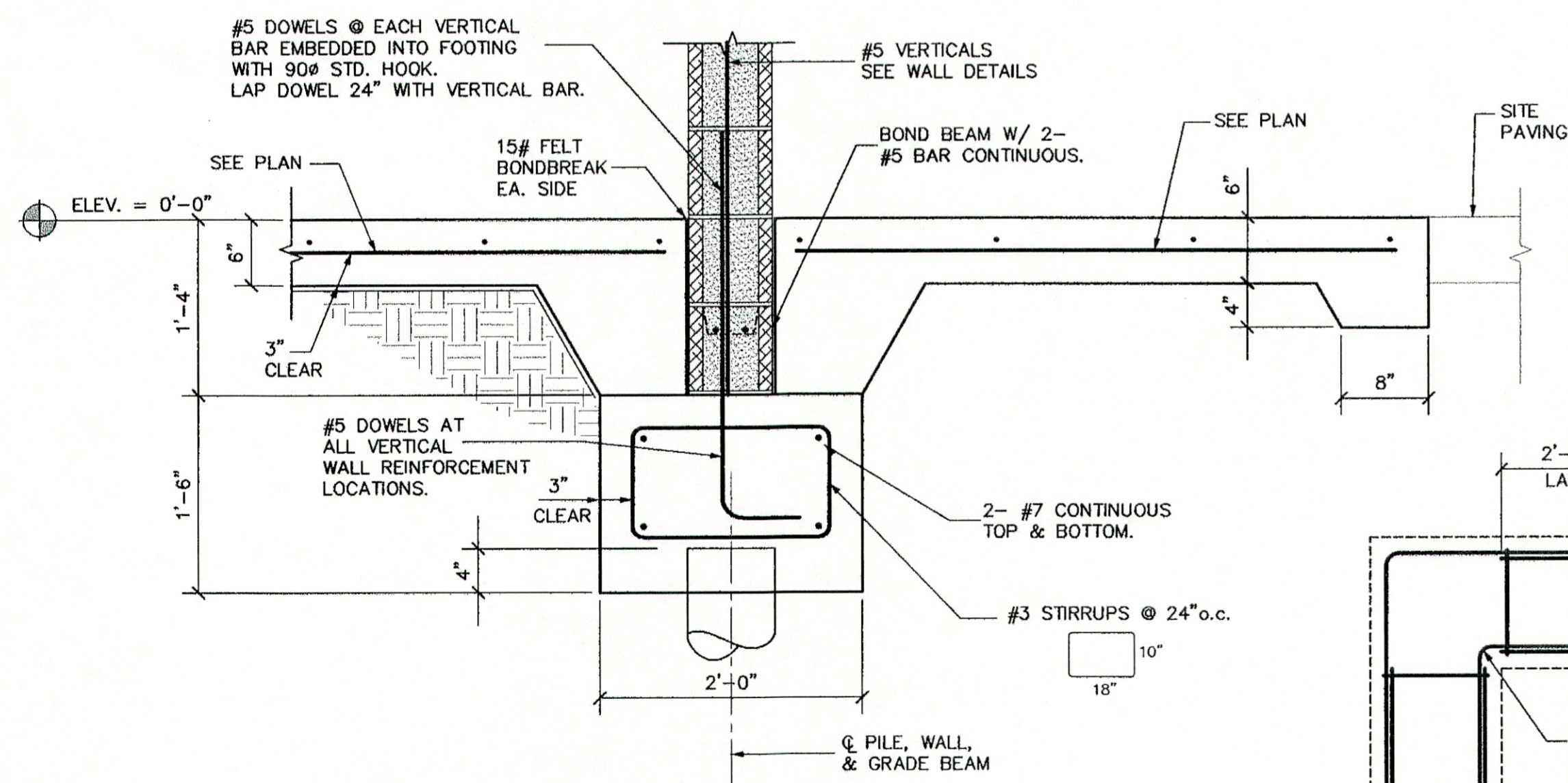


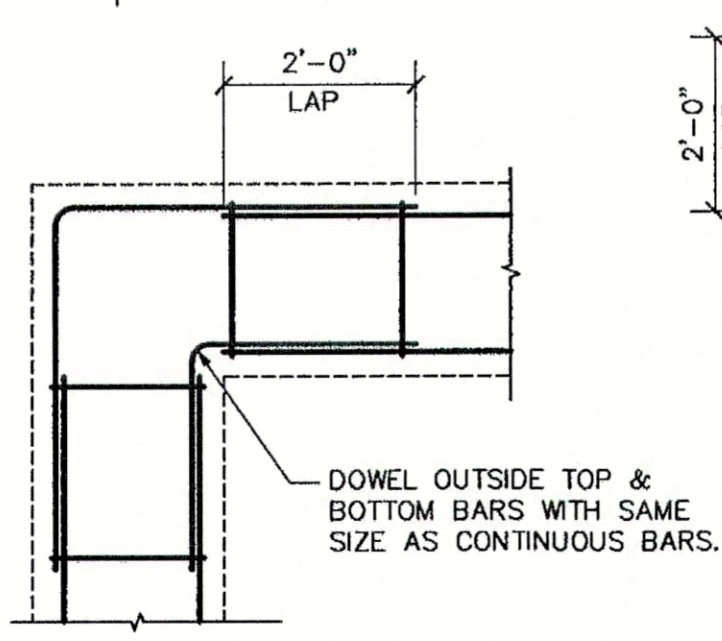
2 GRADE BEAM GB-1 @ COLUMN
1" = 1'-0"



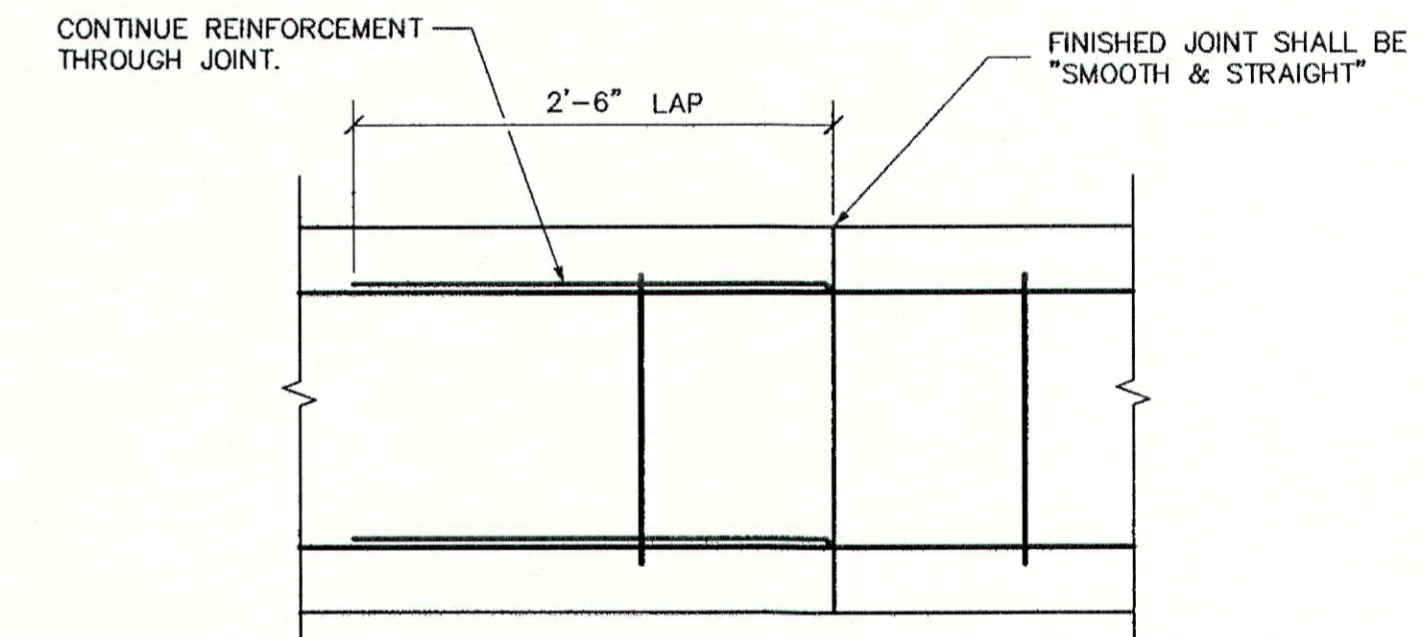
8 TYPICAL SLAB CONSTRUCTION JOINT
1" = 1'-0"
AS REQUIRED - CONTRACTOR'S OPTION
VERIFY LOCATIONS WITH ARCHITECT



7 TYPICAL GB-2 AT CMU WALL
1" = 1'-0"



6 GRADE BEAM INTERSECTIONS
N.T.S.



9 GRADE BEAM CONSTRUCTION JOINT
1" = 1'-0"
AS REQUIRED - CONTRACTOR'S OPTION
VERIFY LOCATIONS WITH ARCHITECT

BADEAUX ENGINEERS
INCORPORATED
CONSULTING STRUCTURAL AND CIVIL ENGINEERS
112 EAST SIXTH ST. 70301
POST OFFICE BOX 1059 70302
985-447-2317 THIBODAUX LA.

DUPLANTIS DESIGN GROUP, P.C.
Architecture
Civil Engineering • Site Development • Land Planning • Public Works
531 East Bayou
Thibodaux, Louisiana 70301
Phone: 985-447-0090
Fax: 985-447-7090

STAMP
MICHAEL J. BADEAUX
REGISTERED PROFESSIONAL ENGINEER
IN THE STATE OF LOUISIANA
REC. NO. 20850
EXPIRES 12/31/2010
8/12/07
DATE

PROPOSED RETAIL DEVELOPMENT
CITY OF BOUTTE
ST. CHARLES PARISH, LOUISIANA
FOR THE SPECTRA GROUP, INC.
MEMPHIS, TENNESSEE

DRAWN MJB, MHB
CHECKED MJB, MHB
DATE 8/12/07
SCALE AS NOTED ON DWG
PROJECT NO. 2960
FILE: 2960BASE
SHEET

S1.2

REVISION	DESCRIPTION	DATE	BY