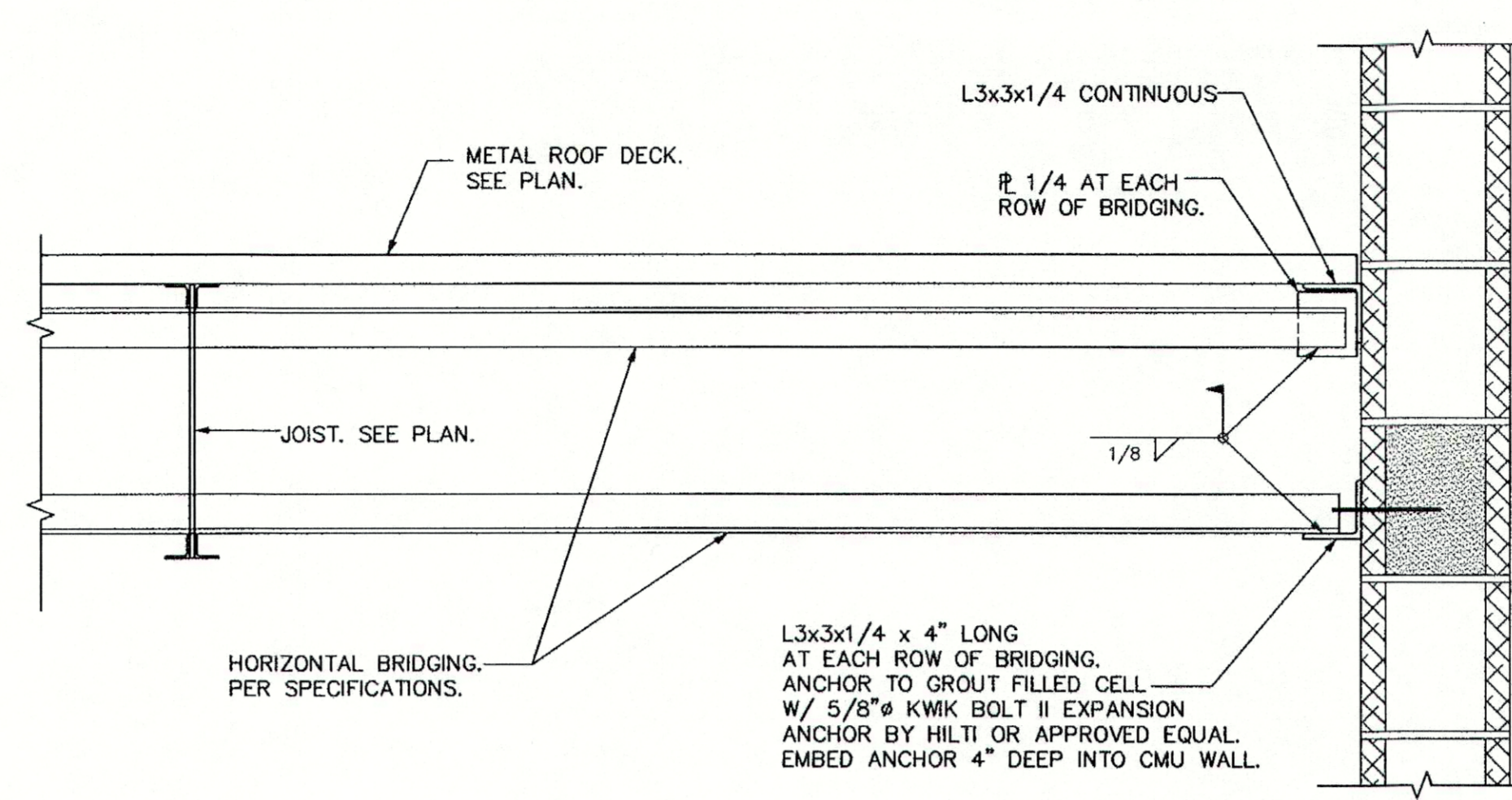
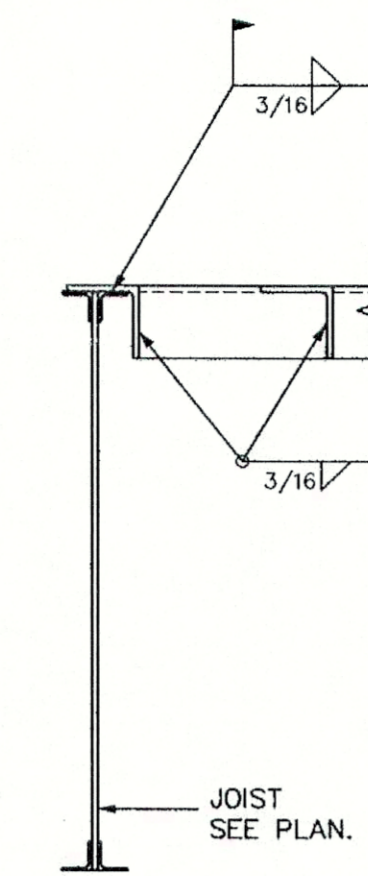


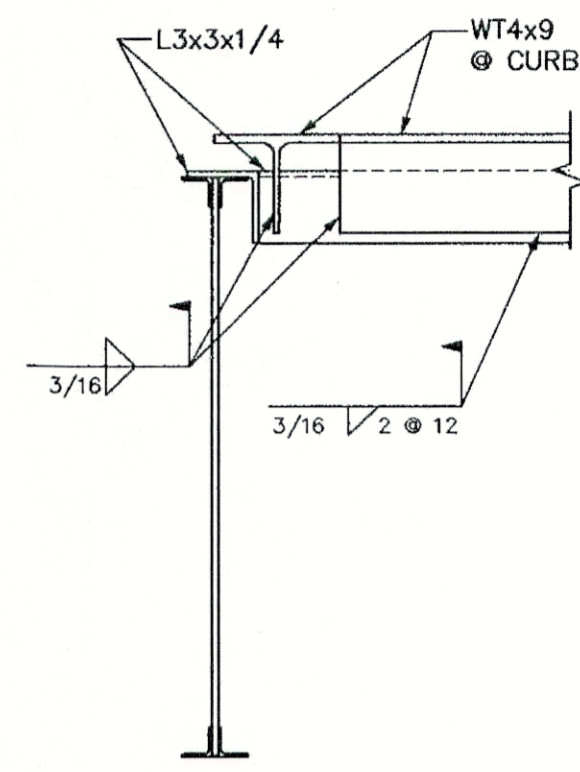
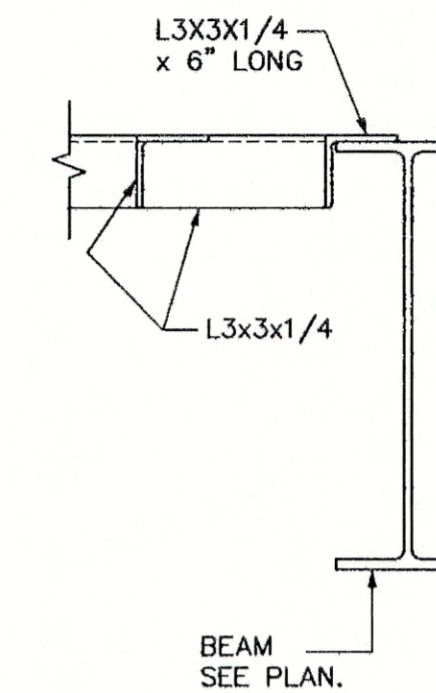
1 SECTION - ROOF DECK SUPPORT AT CMU WALL
1 1/2" = 1'-0"



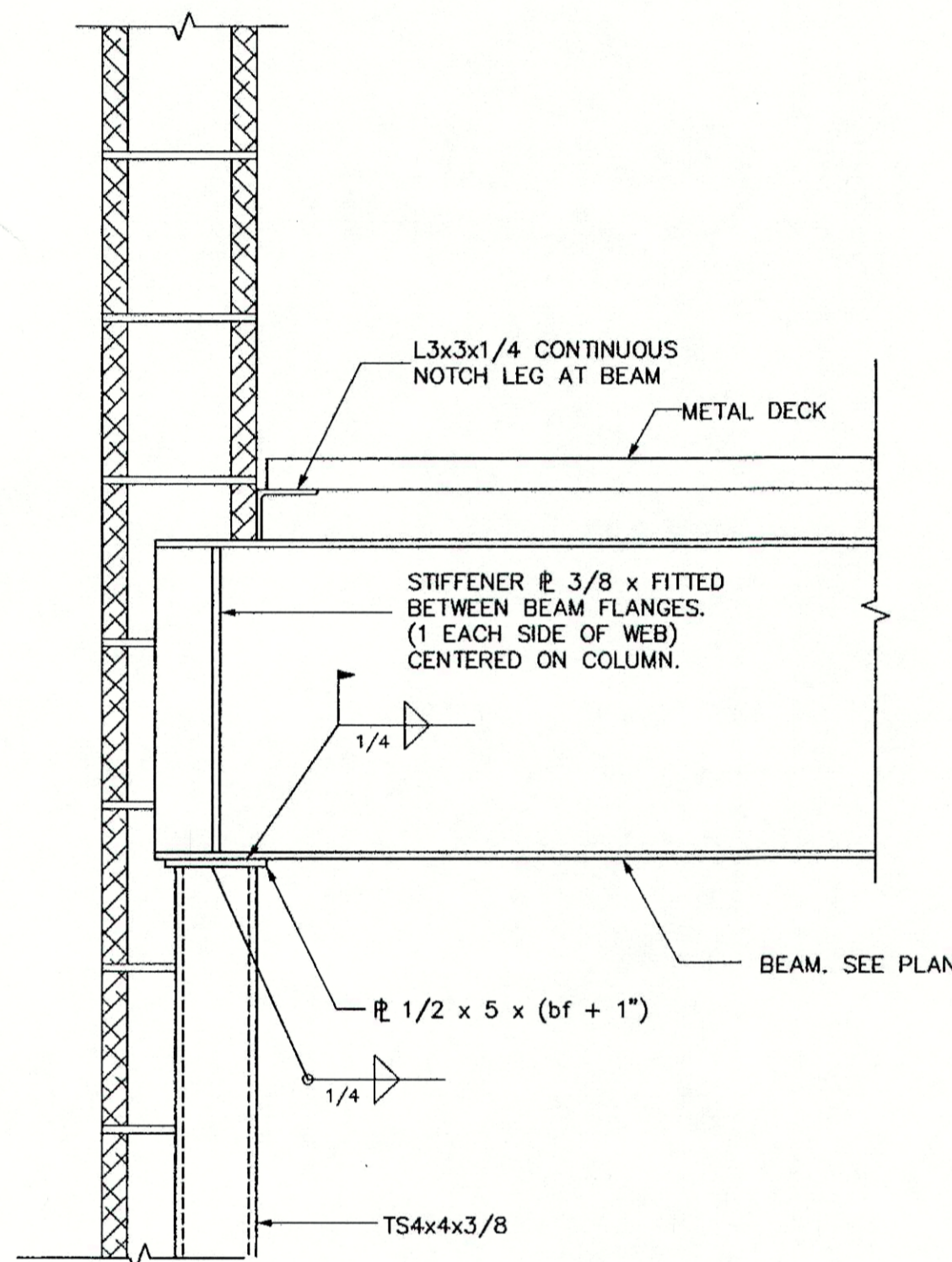
2 SECTION - JOIST BRIDGING ANCHORAGE
1 1/2" = 1'-0"



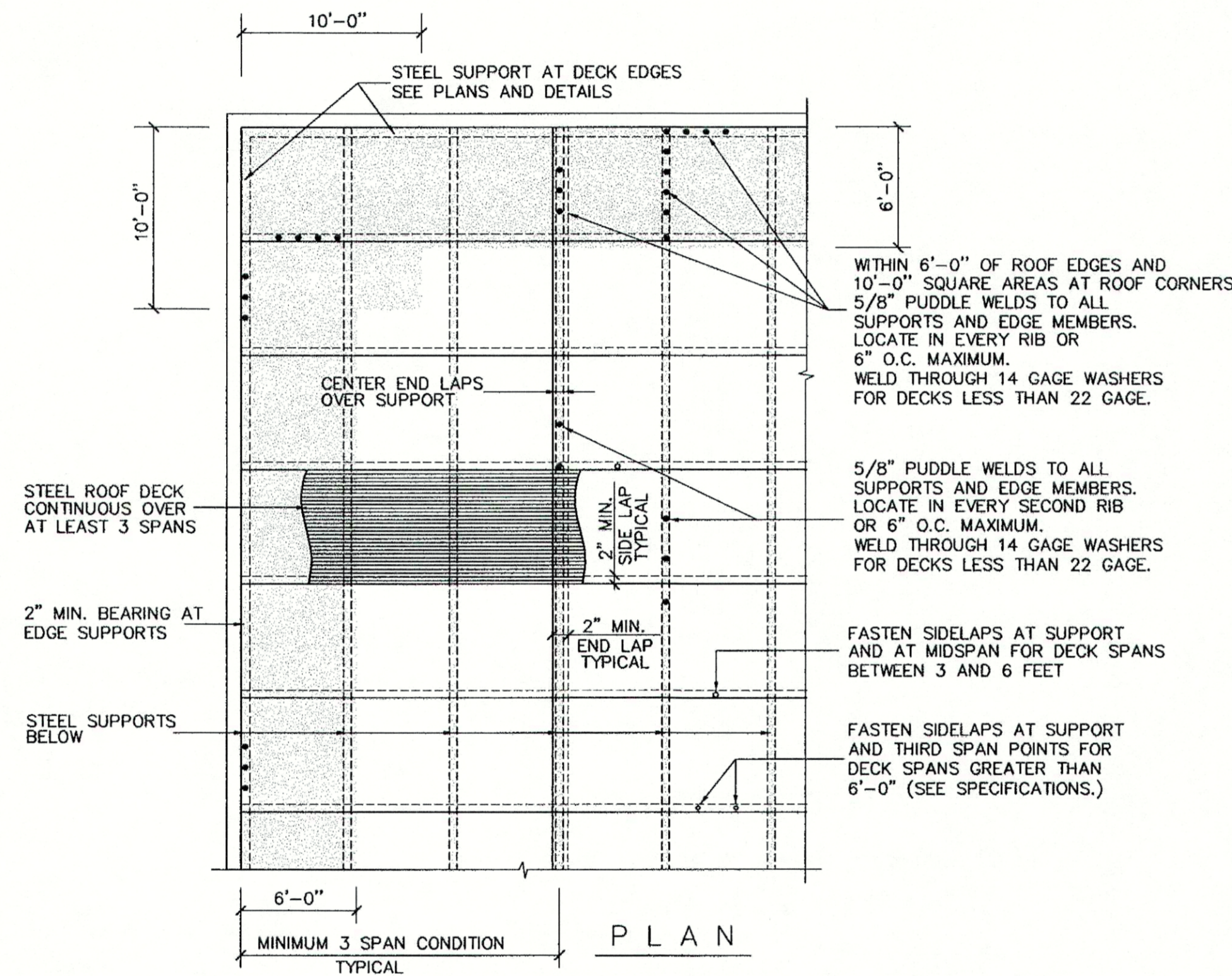
3 MECHANICAL ROOF OPENING
1 1/2" = 1'-0"



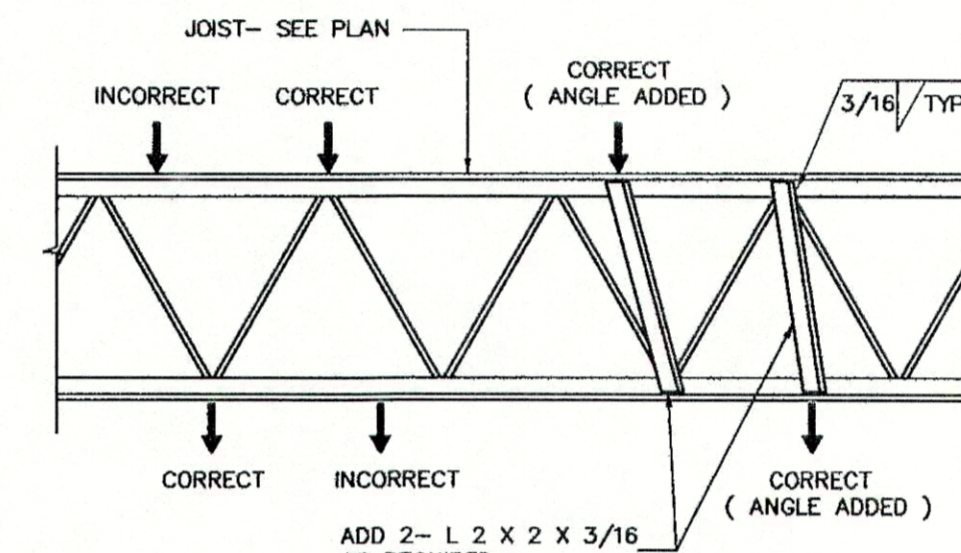
4 MECHANICAL CURB
1 1/2" = 1'-0"



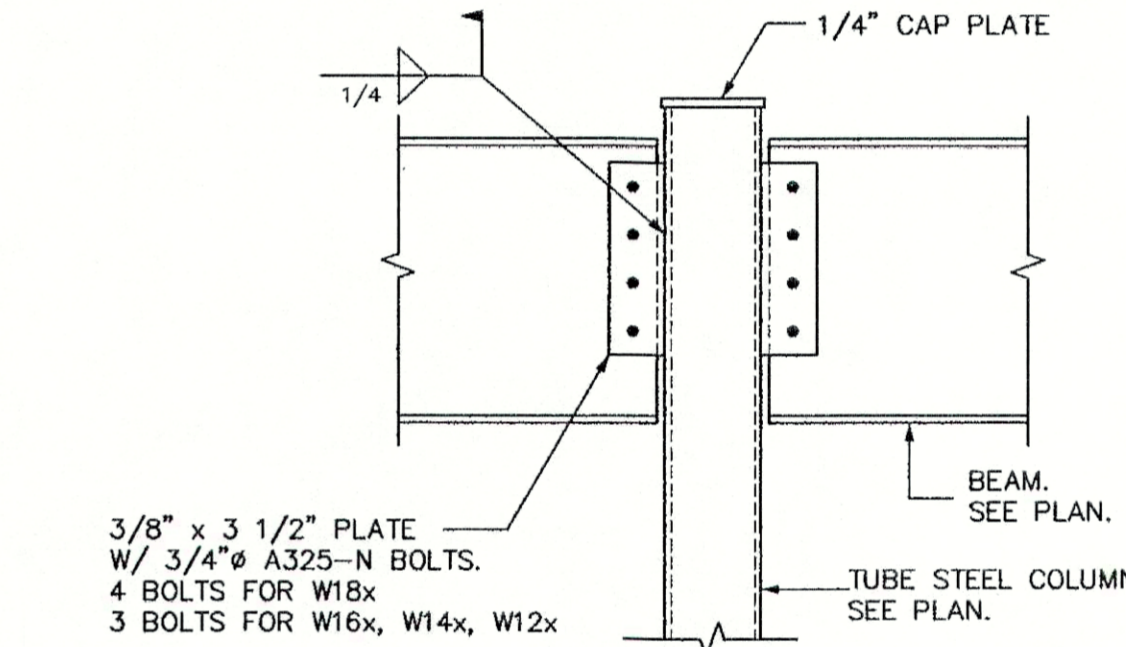
5 SECTION
1 1/2" = 1'-0"



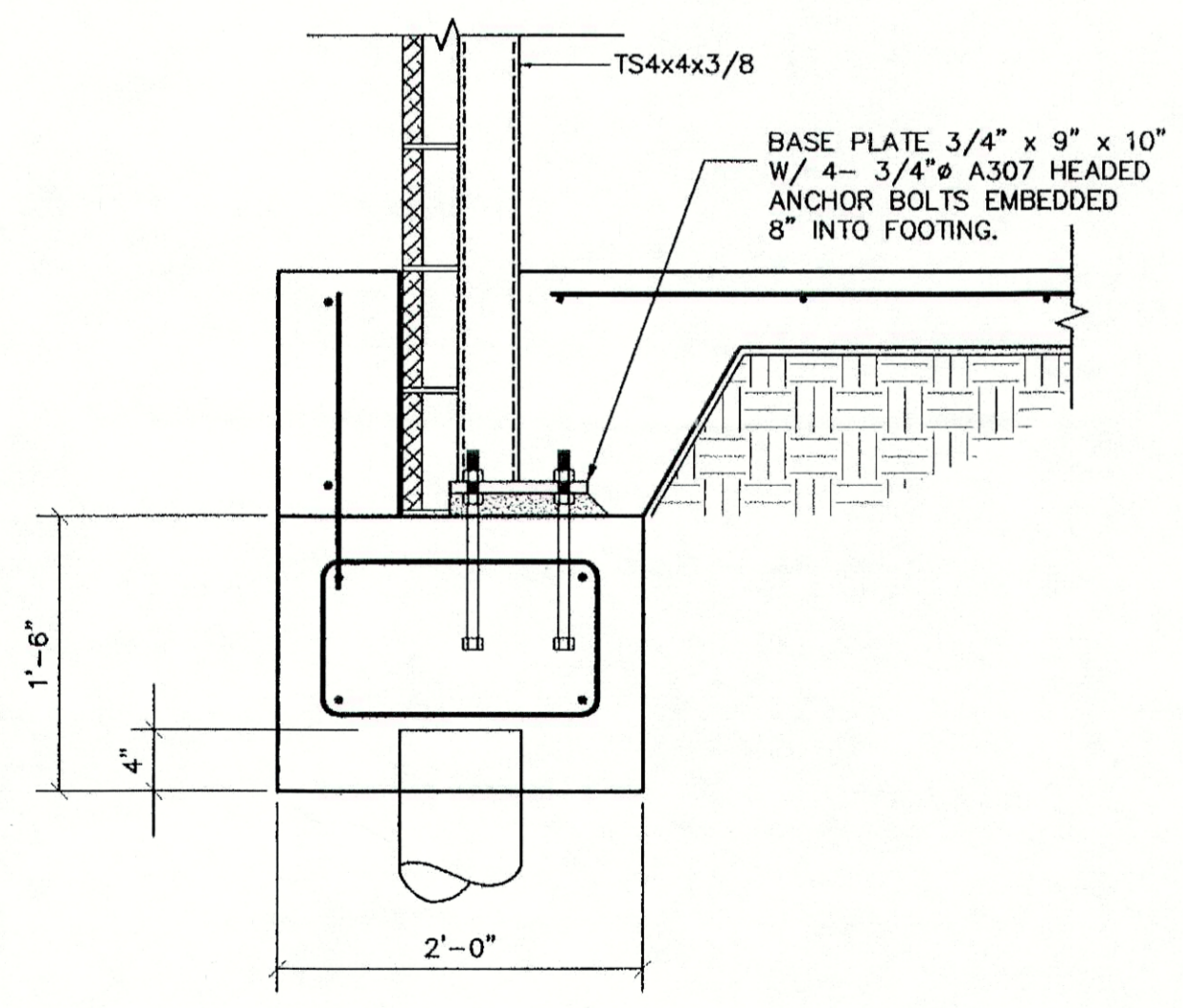
6 CORRUGATED DECK FASTENING PATTERN
NONE



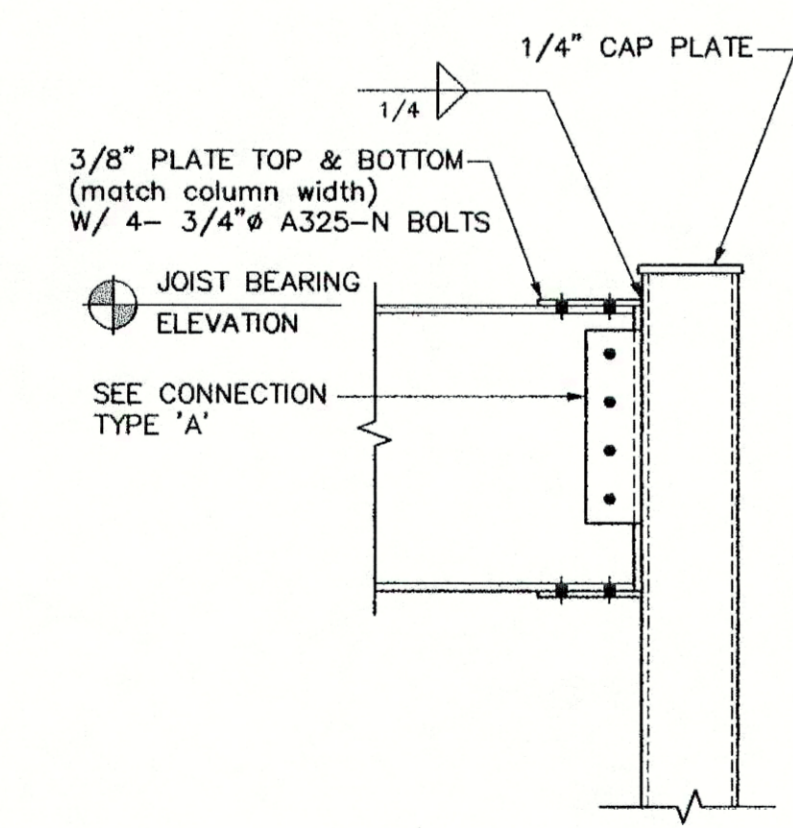
7 METHODS OF SUPPORTING CONCENTRATED LOADS ON JOISTS
3/4" = 1'-0"



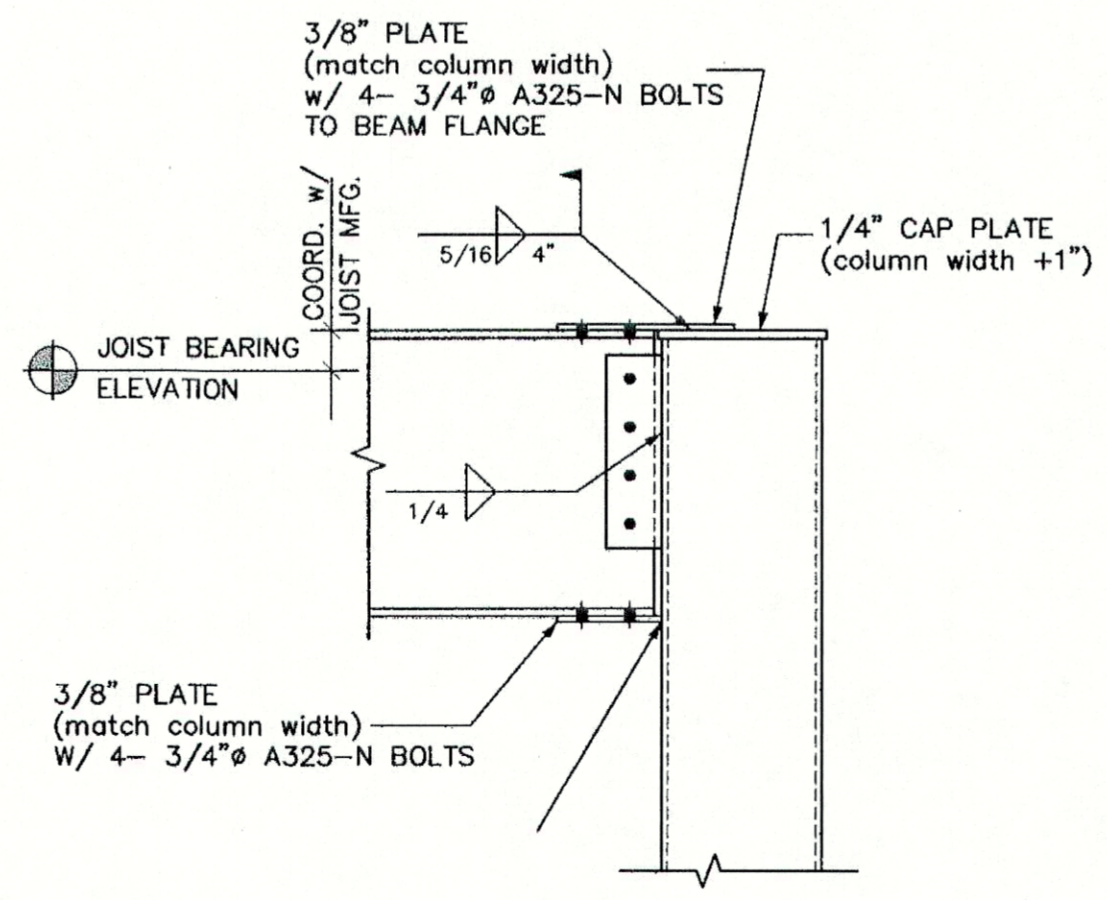
9 BEAM TO COLUMN CONNECTION TYPE 'A'
1" = 1'-0"
CONNECTIONS SHALL BE TYPE 'A' UNLESS NOTED OTHERWISE



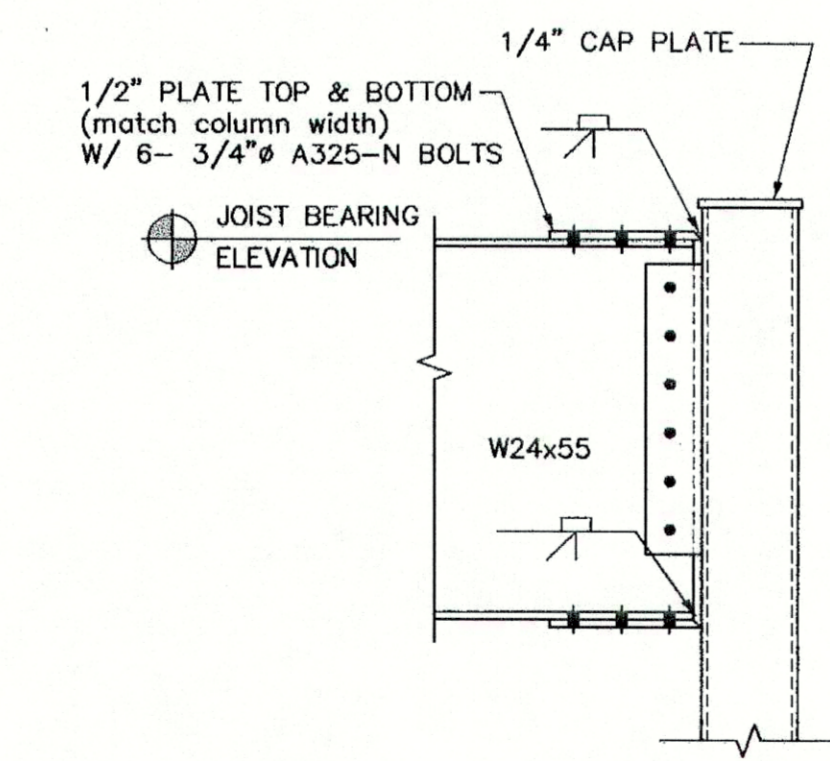
8 TYPICAL FOOTING AT CMU WALL
1" = 1'-0"



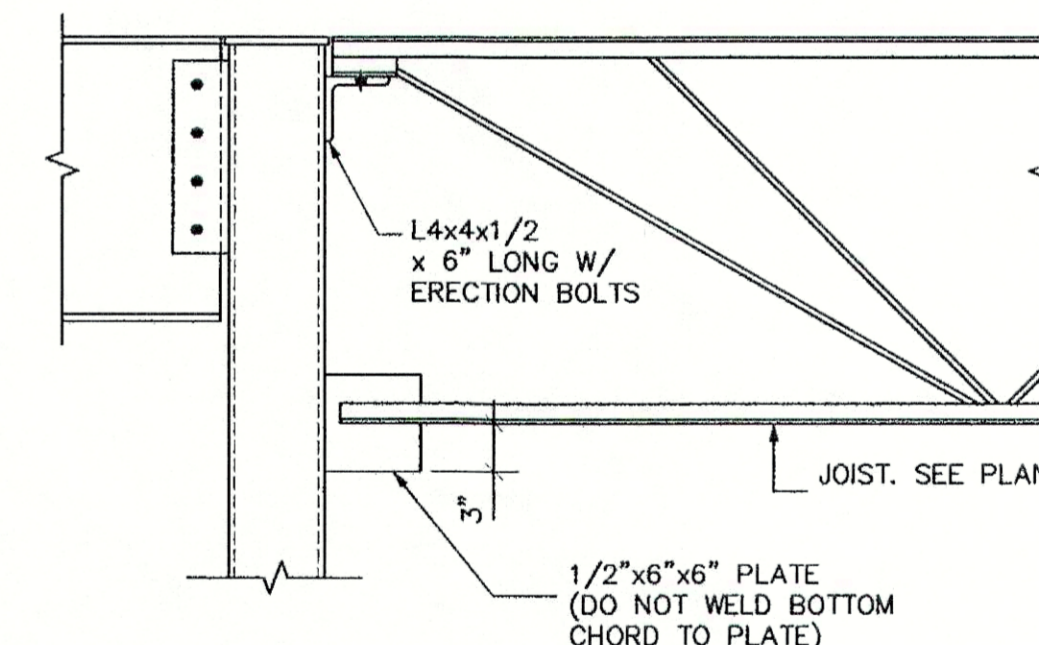
10 BEAM TO COLUMN CONNECTION TYPE 'B'
1" = 1'-0"
LOCATIONS INDICATED BY @ ON FRAMING PLAN



11 BEAM TO COLUMN CONNECTION TYPE 'C'
1" = 1'-0"
LOCATIONS INDICATED BY @ ON FRAMING PLAN



12 BEAM TO COLUMN CONNECTION TYPE 'D'
1" = 1'-0"
LOCATIONS INDICATED BY @ ON FRAMING PLAN



13 JOIST TO COLUMN CONNECTION
1" = 1'-0"

BADEAUX ENGINEERS
INCORPORATED
CONSULTING STRUCTURAL AND CIVIL ENGINEERS
175 EAST SIXTH ST. 70301
POST OFFICE BOX 1056 70302
985-447-2317 THIBODAUX, LA.

REVISION	DATE	DESCRIPTION	BY

DUPLANTIS DESIGN GROUP, PC
Civil Engineering • Site Development • Land Planning • Public Works • Architecture
314 East Bayou Road
Thibodaux, Louisiana 70301
Phone: 985.447.0090
Fax: 985.447.7009

Stamp area with signature and date: 8/12/07

PROPOSED RETAIL DEVELOPMENT
CITY OF BOULTE
ST. CHARLES PARISH, LOUISIANA
FOR THE SPECTRA GROUP, INC.
MEMPHIS, TENNESSEE

DRAWN	MJB, MHB
CHECKED	MJB, MHB
DATE	8/12/07
SCALE	AS NOTED ON DWG
PROJECT NO.	2960
FILE:	296053
SHEET	S3.2