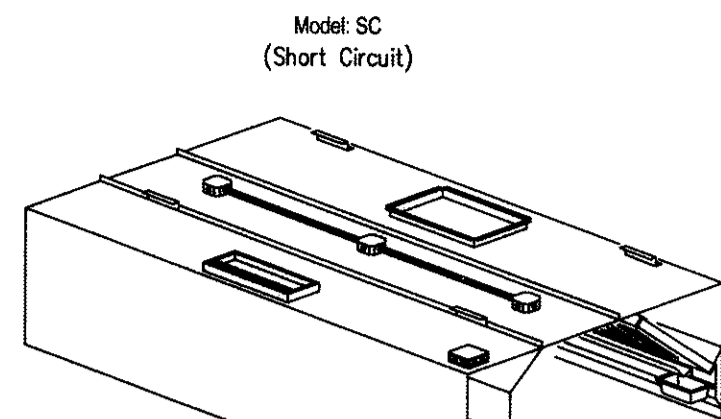
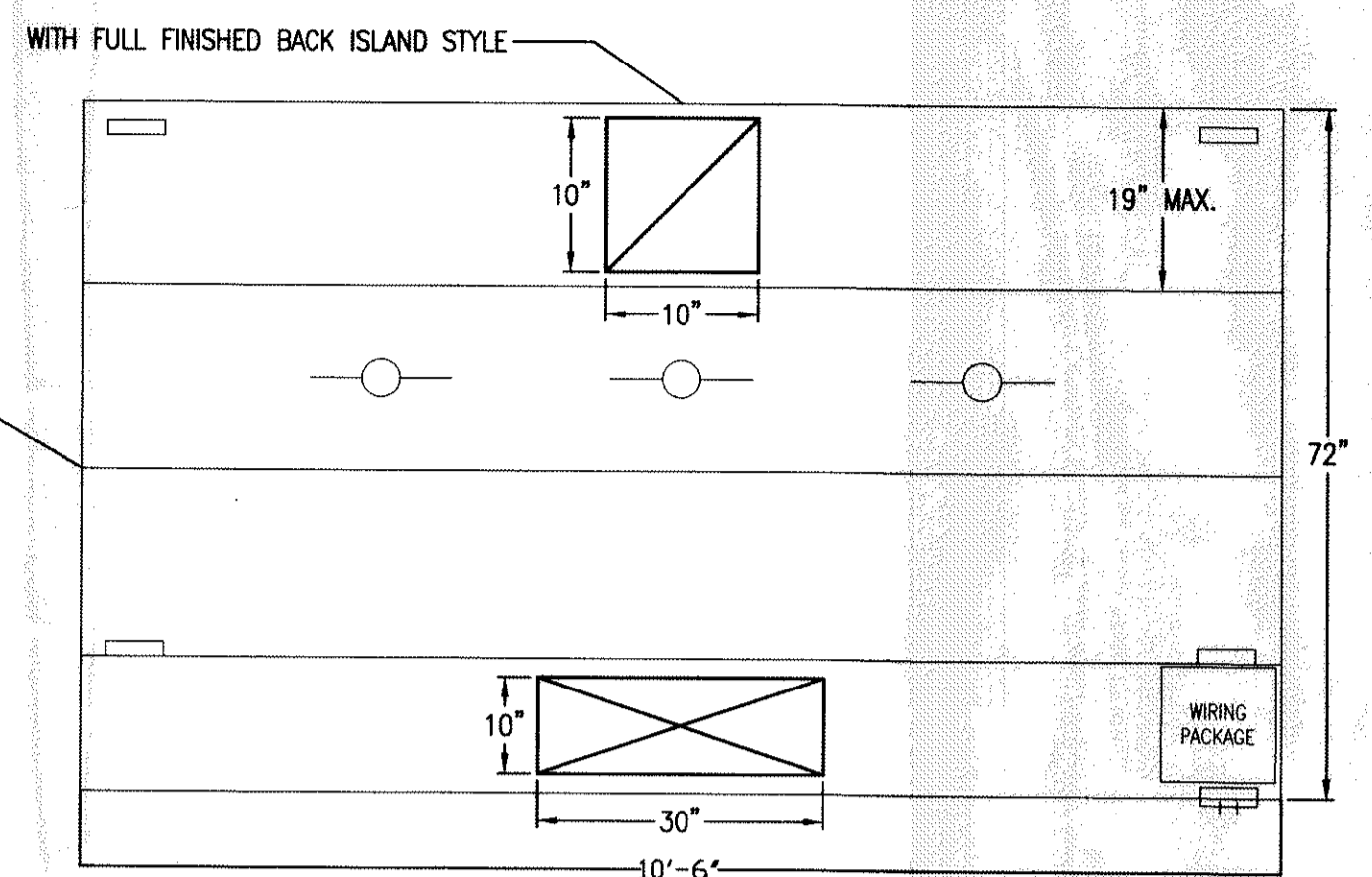


Model SC (Short Circuit)



Model SC (Short Circuit)

1/2 END CURTAINS ON BOTH LH AND RH END.



Specifications:

Hood shall be self-compensating type introducing make-up air inside the hood through a full length, self-balancing slot.

The hood shall be fabricated from Type 430 stainless steel, 18 & 20 gauge with #4 polish on all exposed surfaces, and 18 gauge aluminized steel in concealed areas. The supply plenum shall be lined with 1" thick 3 lb. density foil back insulation, with a flame spread rating of 25 or less as tested by UL 723 to impede condensation from forming on hood surfaces. Supply air plenum shall contain a balancing plate for even distribution of air from one end of the supply slot to the other.

Hood shall be of double wall construction with seams and joints welded and sealed liquid tight, to conform to NFPA 96. Corners of hood shall be trimmed to give the hood a straight, crisp appearance free of warps. 12 gauge hanging brackets for hood shall be on each corner (more brackets as needed for longer hoods). Grease filters shall be UL classified, non-clogging, baffle type, and shall be easily removable for cleaning purposes.

All exhaust plenum surfaces and filters shall drain into a removable grease trough and be conveyed to a removable grease container. Lights shall be installed at approximately 3' intervals and shall be UL listed for use in exhaust hoods. Lights shall be completely pre-wired to a junction box located on top of the hood.

Exhaust collars shall be 16 gauge aluminized steel and have a 3/4" welding flange for easy field connection. Supply air collar shall be 18 gauge galvanized steel and include a UL listed fire damper. Control panels shall include on/off toggle type switches, for the control of hood lights and fans. Each fan switch shall have red pilot lights in handle for positive function status identification. Panel shall have stainless steel face plate with each switch identified. The hood shall be constructed in accordance with NFPA bear the NSF Seal of Approval, and be ETL Listed. Hood to be manufactured by LARKIN INDUSTRIES, INC. 1-800-322-4036.

| HOOD INFORMATION TABLE | | AIR REQUIREMENTS | | | | | | SUPPLY COLLAR | | | HOOD CONSTRUCTION | | HOOD CONFIGURATION | | | PLENUM | | CEILING ENCLOSURE | |
|------------------------|-------|------------------|-----|--------------------|--------------|-------------|---------------|---------------|------------|---------------|-------------------|------|--------------------|------|-------|----------|--------|-------------------|---|
| HOOD NO. | MODEL | LGTH | WTH | MAX. COOKING TEMP. | EXHAUST SIZE | EXHAUST CFM | TOTAL EXH CFM | SUPPLY SIZE | SUPPLY CFM | TOTAL SUP CFM | END | BACK | FRONT | BACK | FRONT | MATERIAL | HEIGHT | | |
| 1 | SC | 10'-6" | 72" | 450 DEG. | 1 16" | 16" | 2708 @ 2709 | 1 10" | 30" | 2031 @ 2031 | 430 | S/S | - | - | - | - | - | - | - |

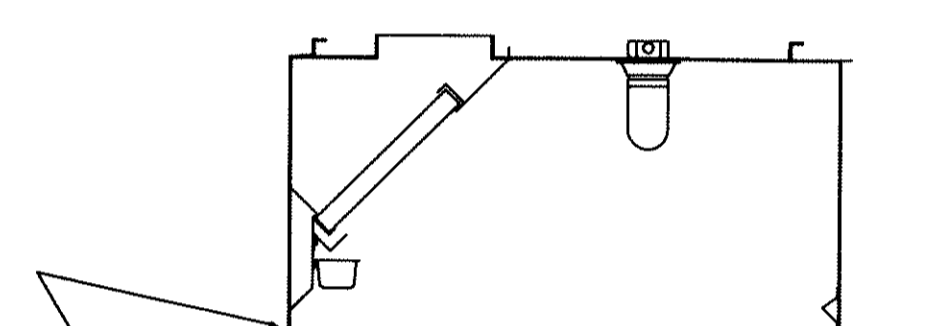
* ALL EXHAUST STATIC PRESSURES ARE @ COLLARS / DUCT SYSTEM NOT INCLUDED *

| HOOD INFORMATION TABLE CONTINUED | | FILTERS | | | LIGHTS | | | BACK S/O | | END S/O | | FIRE SYSTEM | | HOOD ELECTRICAL PKG. | | | | | | | | | |
|----------------------------------|-----|---------|------|------|--------|-----|--------------|----------|--------------|---------|-----|-------------|------|----------------------|--------------|----------|--------|----------|----------|-------|------------|----------|--------|
| HOOD NO. | QTY | HGT | LGTH | TYPE | QTY | HGT | LGTH | TYPE | WIRE GUARD | S/O | S/O | TYPE | SIZE | FIRE GALLON | FIRE CABINET | LOCATION | WEIGHT | SWITCHES | STARTERS | CONT. | FAN CNTRL. | LOCATION | |
| 1 | - | - | - | S | 16" | 25" | ALUM. Baffle | 3 | INCANDESCENT | - | - | - | - | - | - | - | - | 2 | - | 2 | - | - | RH-END |

* 48" TALL BACK WALL SPLASH PANEL PROVIDED WITH HOOD *

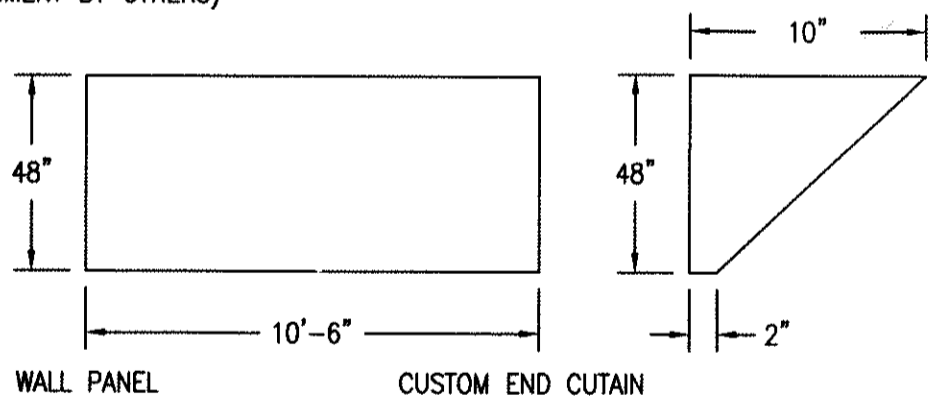
CUSTOM END CURTAINS AND WALL PANELS

HEM ON CUSTOM WALL PANELS WILL INSERT INTO OPEN HEM ON BACK OF HOOD. (ATTACHMENT BY OTHERS)

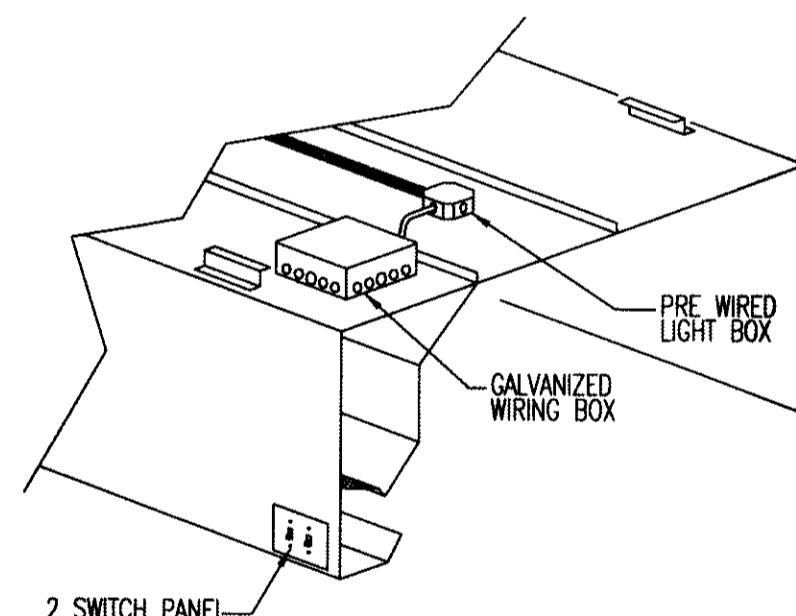


TOP EDGE OF END CURTAIN WILL BE ATTACHED TO BOTTOM EDGE OF HOOD (ATTACHMENT BY OTHERS)

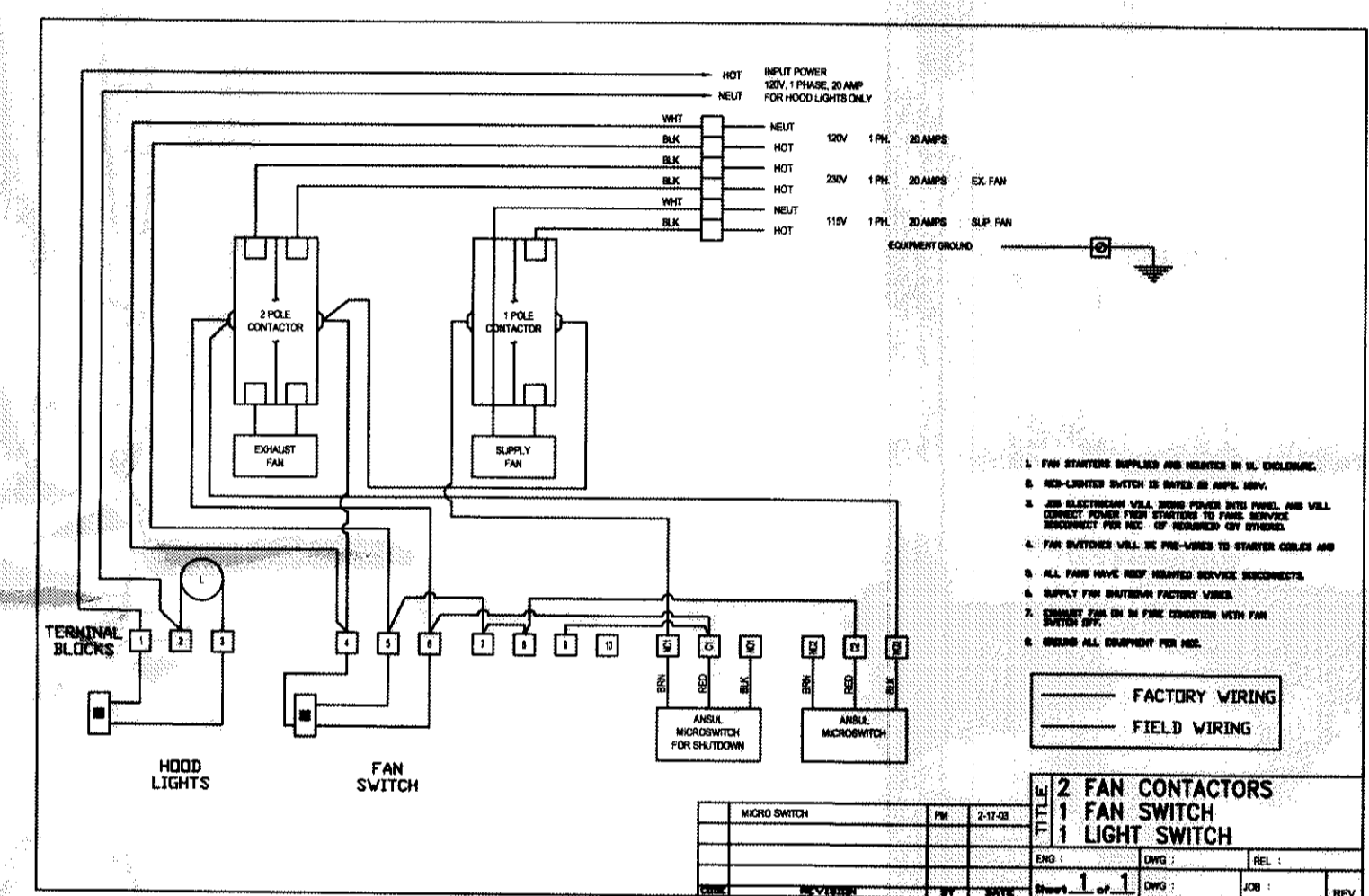
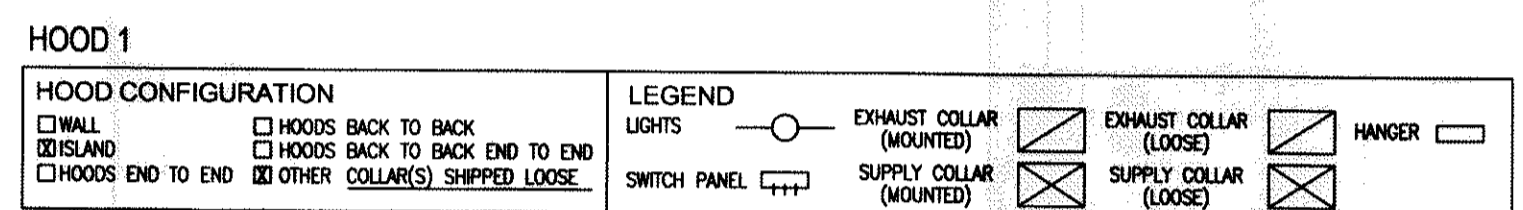
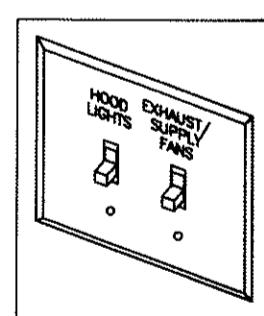
1" FLANGE IN WILL ATTACH TO BACK SIDE OF CUSTOM WALL PANEL (ATTACHMENT BY OTHERS)



HOOD MOUNTED PRE-WIRED PACKAGE



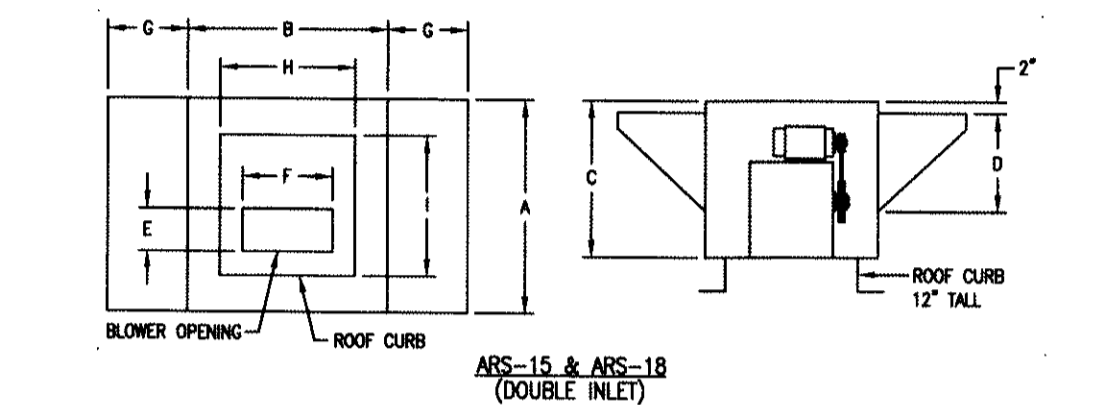
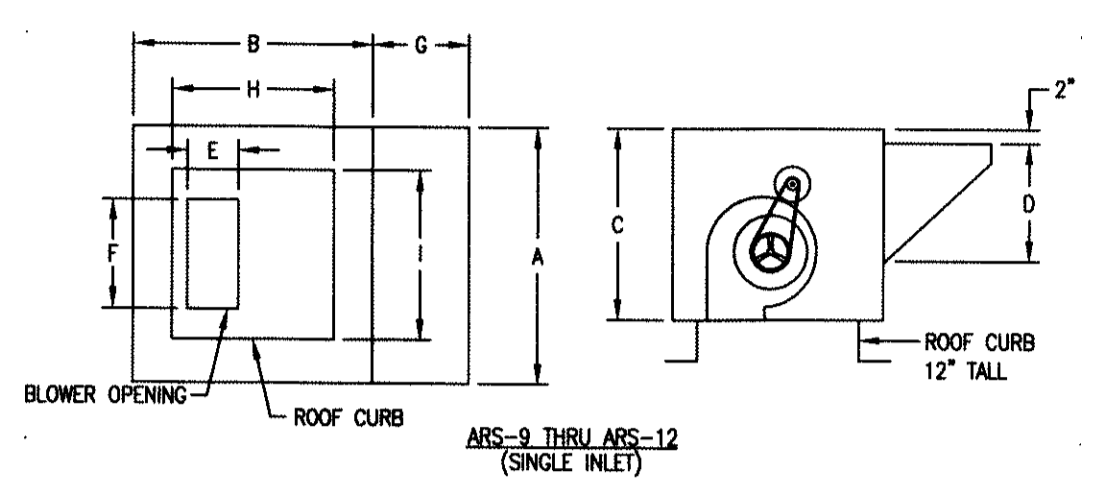
PRE WIRED ELECTRICAL BOX TO BE MOUNTED ON TOP OF HOOD AND FACTORY PRE WIRED TO A SWITCH PANEL ON FACE OF HOOD AND THE HOOD LIGHTS. WIRING BOX SHALL CONTAIN, AS REQUIRED, STARTERS WITH OVERLOADS, RELAYS, CONTACTORS, TERMINAL STRIPS AND WIRING DIAGRAM. WIRING FROM POWER SOURCE AND ROOFTOP FANS REQUIRES FIELD HOOKUP AS PER NATIONAL ELECTRICAL CODE. PRE WIRED BOXES AVAILABLE IN 115V, 208V, 230V, SINGLE PHASE, AND 208V, 230V, AND 480V THREE PHASE.



| WIRING SWITCH | PH | 3 LINE | 2 LINE | 1 LINE | 0 LINE |
|---------------|----|--------|--------|--------|--------|
| 1 | 1 | 1 | 1 | 1 | 1 |

SUPPLY FAN

FEATURES: HEAVY GAUGE SCREWED TOGETHER HOUSING • EASILY REMOVABLE COVER • CONSTRUCTED OF GALVANIZED STEEL (PAINTING NOT REQUIRED) • DOUBLE INLET SUPPLY BLOWER, BELT DRIVEN, MOUNTED ON VIBRATION INSULATORS • CAST IRON MOTOR AND FAN DRIVES • FACTORY MOUNTED DISCONNECT SWITCH • PERMANENT LUBRICATED BEARINGS • CLEANABLE ALUMINUM MESH FILTERS • ETL LISTED



| MARK | MODEL | DIMENSIONAL DATA | | | | | | CURB SIZE | | FILTER SIZES | |
|------|--------|------------------|----|----|----|---------|----------|-----------|----|--------------|-------------|
| | | A | B | C | D | E | F | G | H | I | J |
| MK | ARS-9 | 24 | 24 | 30 | 25 | 10 1/4 | 11 13/16 | 18 | 23 | 23 | (1) 20x20x1 |
| MK | ARS-10 | 34 | 34 | 35 | 30 | 11 1/8 | 13 1/8 | 18 | 33 | 33 | (2) 16x25x1 |
| MK | ARS-12 | 34 | 34 | 35 | 30 | 13 7/16 | 15 5/8 | 18 | 33 | 33 | (2) 16x25x1 |
| MK | ARS-15 | 34 | 34 | 35 | 30 | 15 7/8 | 18 5/8 | 18 | 33 | 33 | (4) 16x25x1 |
| MK | ARS-18 | 42 | 42 | 43 | 30 | 18 7/8 | 21 7/8 | 18 | 41 | 41 | (4) 20x25x1 |

| MARK | MODEL | FAN INFORMATION | | | MOTOR INFORMATION | | | OPTIONAL ACCESSORIES | | | | | | |
|------|--------|-----------------|------|------|-------------------|-----|-----|----------------------|-------|----|------|---|---|---|
| | | QTY. | TYPE | CFM | SP | RPM | HP | VOLTS | CYCLE | PH | TYPE | | | |
| SF | ARS-10 | 1 | 10 | 2031 | 50" | - | 1/2 | 115 | 60 | 1 | STD | G | - | - |

EXHAUST FAN

Larkin Industries, Inc. certifies that the XRUB shown herein are licensed to bear the AMCA Seal. The ratings shown are based on test and procedures performed in accordance with AMCA Publication 211 and AMCA Publication 311 and comply with the requirements of the AMCA Certified Ratings Program.

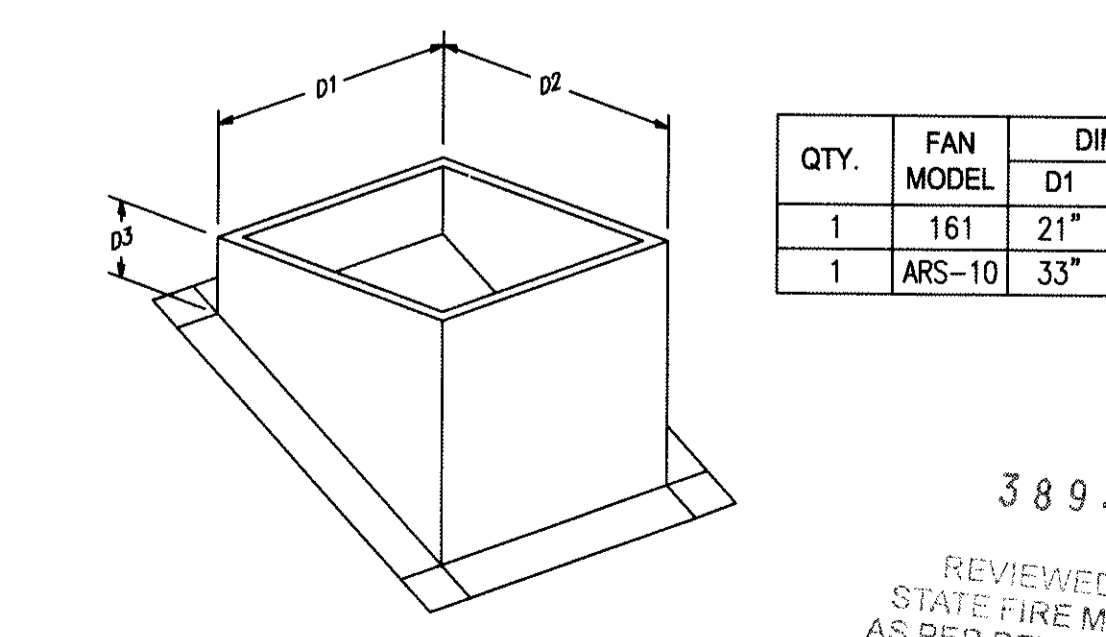
The Type XRUB is furnished standard with UL 762 listing (Power Ventilator for Restaurant Exhaust appliances/ZHW) when furnished with factory supplied motor.

| SIZE | DIMENSIONAL DATA | | | | SHIP WT. LESS MOTOR | ROOF OPNG. SQUARE |
|------|------------------|---------|--------|-------|---------------------|-------------------|
| | A | B | C | G | | |
| 098 | 17-3/8 | 24-7/8 | 28-1/4 | 1-3/4 | 19 | 58 |
| 101 | 17-3/8 | 24-7/8 | 28-1/4 | 1-3/4 | 19 | 58 |
| 121 | 17-3/8 | 24-7/8 | 28-1/4 | 1-3/4 | 19 | 66 |
| 131 | 17-3/8 | 24-7/8 | 28-1/4 | 1-3/4 | 19 | 66 |
| 141 | 19-3/8 | 28-7/8 | 29-3/4 | 1-3/4 | 22 | 84 |
| 161 | 19-3/8 | 28-7/8 | 29-3/4 | 1-3/4 | 22 | 87 |
| 180 | 21 | 35-3/8 | 28-5/8 | 1-3/4 | 30 | 126 |
| 200 | 21 | 35-3/8 | 28-5/8 | 1-3/4 | 30 | 142 |
| 220 | 25-1/2 | 42-3/4 | 33-7/8 | 1-3/4 | 34 | 174 |
| 240 | 25-1/2 | 42-3/4 | 33-7/8 | 1-3/4 | 34 | 175 |
| 300 | 29 | 50 | 36 | 1-3/4 | 40 | 313 |
| 360 | 29-3/8 | 58-5/8 | 39-1/8 | 1-3/4 | 42 | 440 |
| 420 | 35-1/4 | 65-3/8 | 44-3/4 | 1-3/4 | 52 | 578 |
| 480 | 36 | 74-3/16 | 48-1/4 | 1-3/4 | 58 | 675 |

ALL DIMENSIONS IN INCHES. WEIGHTS IN POUNDS. ROOF OPENING SIZE FOR CURBS SUPPLIED BY COOK ONLY.

| QTY. | MARK | CATALOG NUMBER | FAN INFORMATION | | | MOTOR INFORMATION | | | ACCESSORIES | | | | | |
|------|------|----------------|-----------------|------|-----|-------------------|-------|----|-------------|------|---|---|---|---|
| | | | CFM | SP | RPM | HP | VOLTS | HZ | PH | TYPE | | | | |
| 1 | EF | XRUB-161 | 2708 | 629" | - | 3/4 | 230 | 60 | 1 | STD | 1 | 5 | 6 | - |

SLOPE ROOF CURBS FOR FANS



| QTY. | FAN MODEL | D1 | D2 | D3 |
|------|-----------|-----|-----|-----|
| 1 | 161 | 21" | 21" | 24" |
| 1 | ARS-10 | 33" | 33" | 12" |

389436
REVIEWED FOR STATE FIRE MARSHAL AS PER REVIEW LETTER BY JULIE LITTLE ARCHITECT

BAFFLE TYPE GREASE FILTERS

FEATURES:
• STAINLESS STEEL OR ALUMINUM CONSTRUCTION FOR TOUGH COMMERCIAL KITCHEN USE
• ANTI-DRAINAGE PROTECTION AGAINST RUST AND CORROSION
• SAFE, REMOVABLE POSITIVE FLAME BARRIER PROTECTION
• SEAMLESS SMOOTH SURFACES PREVENT CONSTANT GREASE RUN-OFF INTO HOOD COLLECTION TRAYS
• DESIGNED TO REPLACE MESH TYPE FILTERS WITHOUT COSTLY HOOD REWORKING

Air Flow Characteristics
CFM vs. Static Pressure

| EFFECTIVE AREA THE EFFECTIVE AREAS FOR THE FOLLOWING NOMINAL SIZE FILTERS ARE: | AREA |
|--|------------------|
| 10" x 20" x 2" | 1.00 SQUARE FEET |
| 12" x 18" x 2" | 0.97 SQUARE FEET |
| 12" x 20" x 2" | 1.25 SQUARE FEET |
| 16" x 16" x 2" | 1.36 SQUARE FEET |
| 16" x 20" x 2" | 1.75 SQUARE FEET |
| 20" x 20" x 2" | 2.25 SQUARE FEET |
| 16" x 25" x 2" | 2.24 SQUARE FEET |
| 20" x 25" x 2" | 2.88 SQUARE FEET |



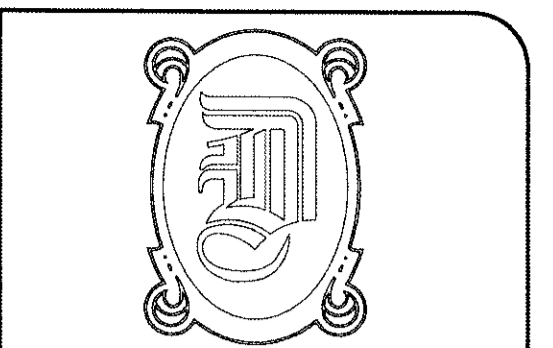
FEATURES:
• HEATPROOF, GREASEPROOF, WATERPROOF.
• SPECIFICALLY DESIGNED FOR PREWIRED CANOPY HOODS.
• MOUNTS TO ANY 3 1/2" OR 4" STANDARD JUNCTION BOX.
• CAST ALUMINUM FIXTURES ARE PROVIDED WITH A BRUSHED TO MATCH STAINLESS STEEL HOOD INTERIORS.
• PROVIDED WITH PLASTIC COATED AND THERMAL SHOCK RESISTANT GLOBES.

SPECIFICATIONS
FIXTURE BODY: CAST ALUMINUM
SOCKET: PORCELAIN BODY WITH COPPER SHELL
WIRE LEADS: 6" LONG, 14 AWG
GASKETS: SILICONE
GLOBE: CLEAR THERMAL SHOCKPROOF GLASS & PLASTIC COATING.

NOTICE: Underwriters Laboratories standard #57 requires that fixtures in commercial cooking hoods must be mounted a minimum of 4 ft. above the cooking surface.

INCANDESCENT LIGHT FIXTURES

HOOD DETAILS BY
Larkin



DAMMON ENGINEERING, INC.

EMMETT DAMMON

ARCHITECT ROBERT WILTSE

1095 FLORIDA AVENUE
SLIDELL, LA. 70458
985-649-5832

WEBSITE: WWW.DAMMONENGINEERING.COM

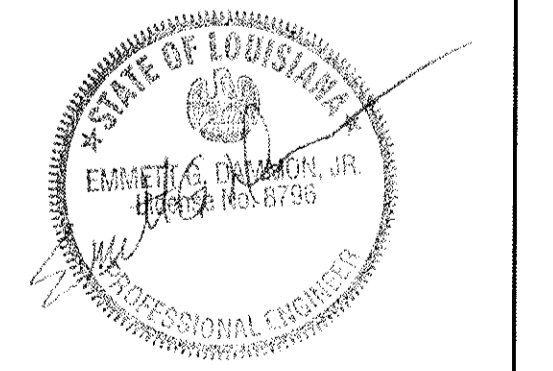
EMAIL: DAMMONENG@BELLSOUTH.NET

ARCHITECTURE
ENGINEERING
STUDIES
PLANNING
INVESTIGATION
EXPERT WITNESS

MARCO'S PIZZA TENANT BUILDOUT

2349 E. GAUSE BLVD
SUITE 1
SLIDELL, LA
70461

HOOD DETAILS



SCALE: AS NOTED
JOB#: 2082
DATE: 11-1-10
SHEET 6

M-2

OF 10