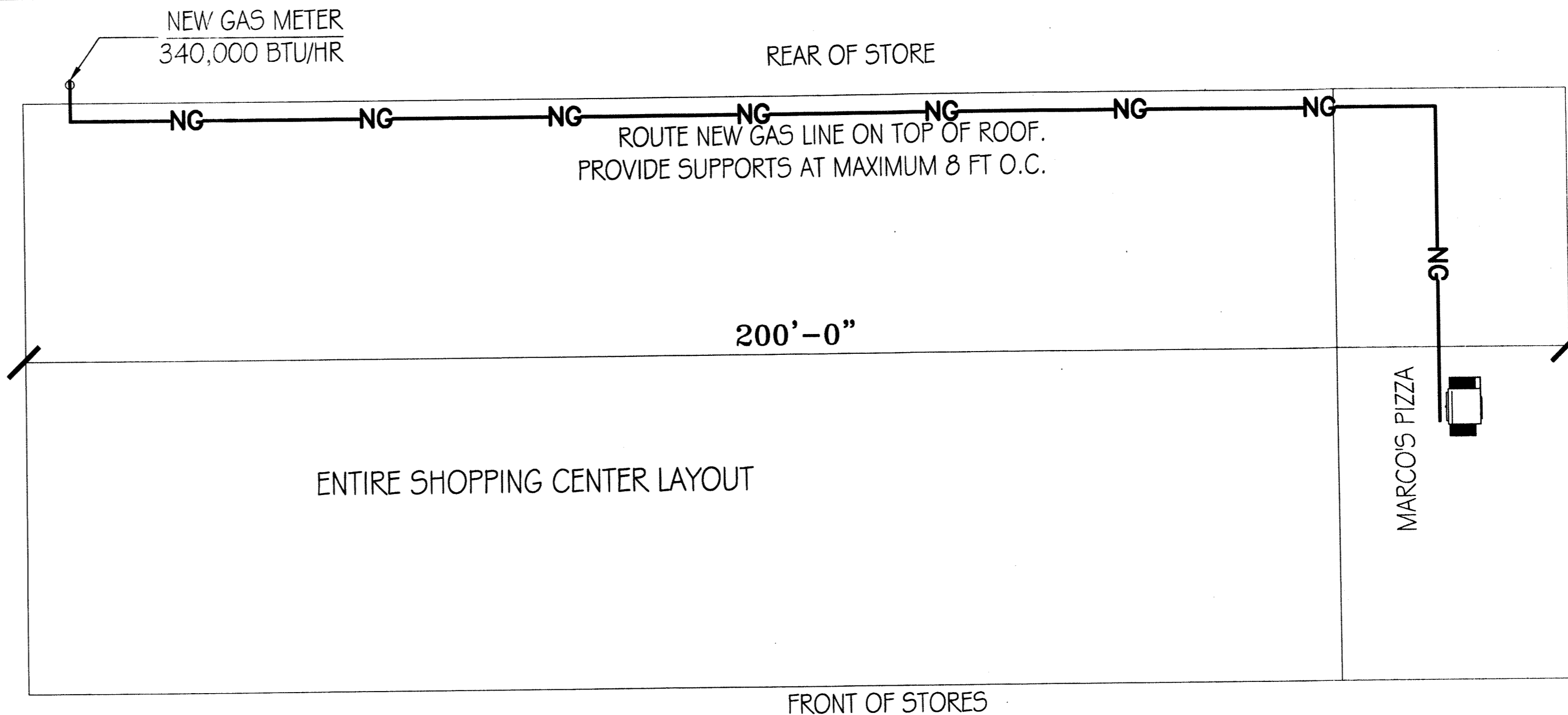
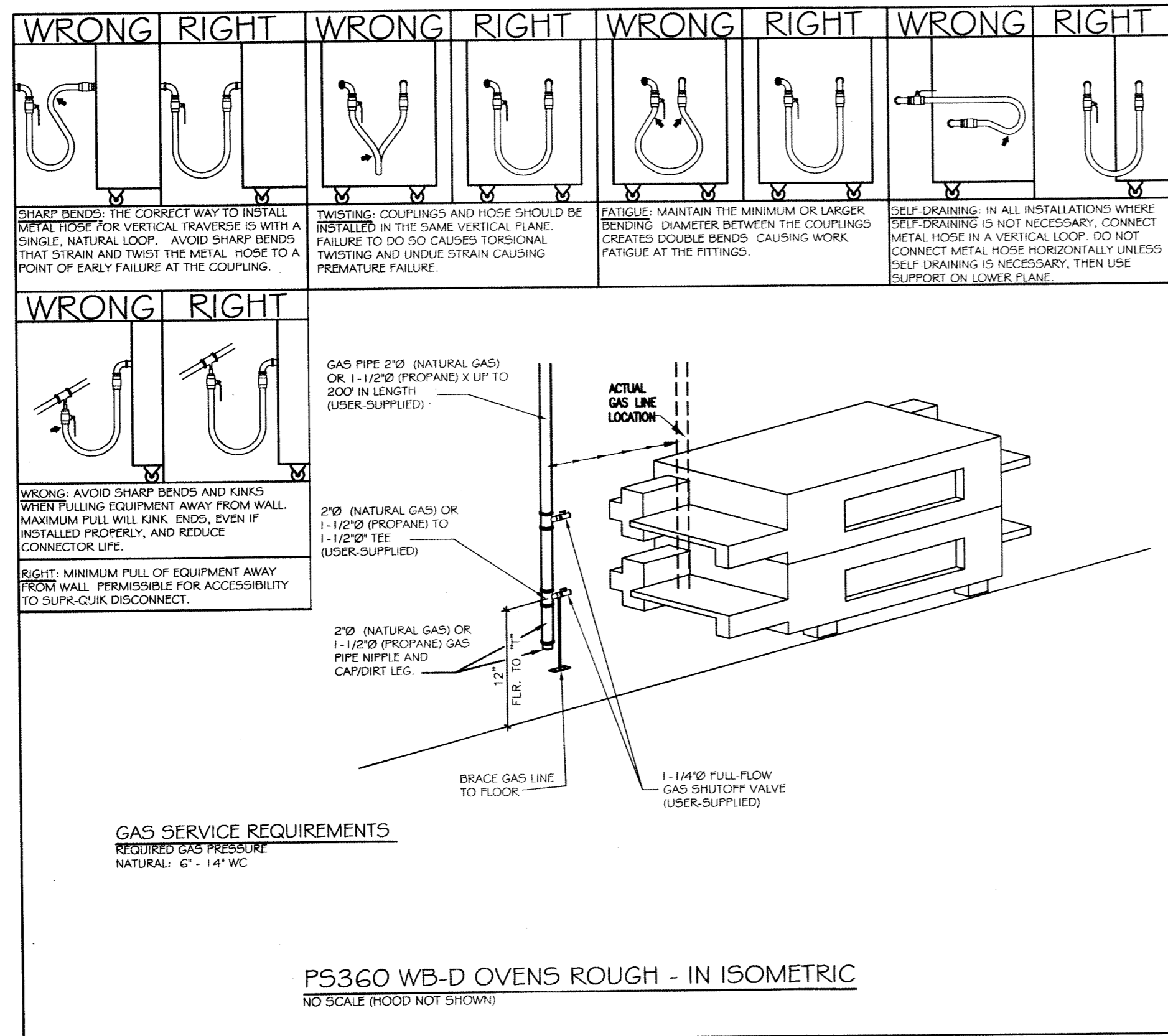


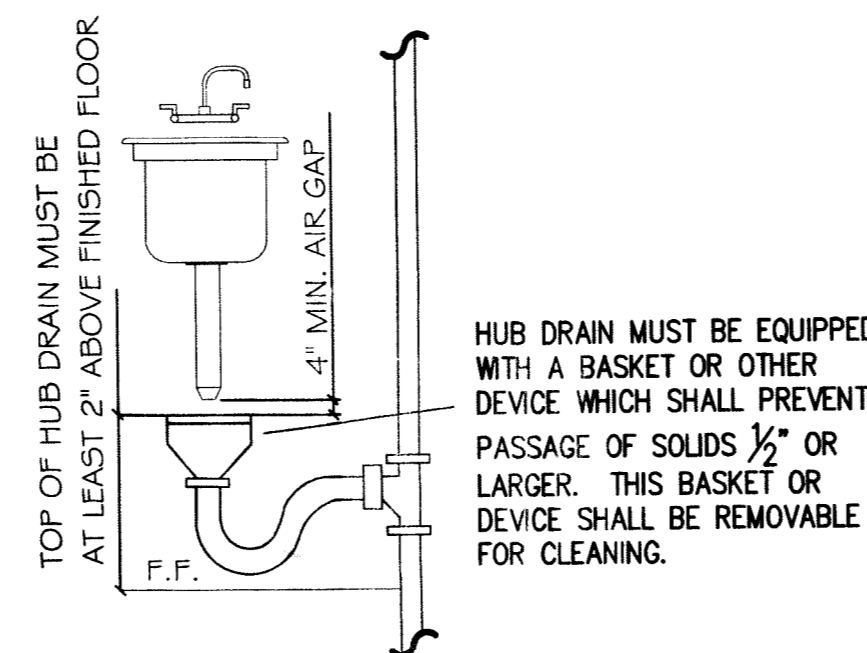
PLUMBING ABBREVIATION LEGEND

- AT — AT
 - ABV — ABOVE
 - A.F.F. — ABOVE FINISH FLOOR
 - WC — WATER CLOSET
 - CLG — CEILING
 - CO — CLEANOUT
 - CONN — CONNECT/CONNECTION
 - CONT — CONTINUATION
 - 3CS — THREE COMPARTMENT SINK
 - 4CS — FOUR COMPARTMENT SINK
 - CW — COLD WATER
 - D — DISPOSAL
 - DF — DRINKING FOUNTAIN
 - DRWG — DRAWING
 - DW — DISHWASHER
 - EA — EACH
 - EXT — EXTEND
 - FAC — FURNACE/AIR COND.
 - FCO — FLOOR CLEANOUT
 - FD — FLOOR DRAIN
 - FFE — FINISH FLOOR ELEVATION
 - FKT — FIXTURE
 - FL — FLOOR
 - FPWH — FREEZE PROOF WALL HYDRANT
 - FS — FLOOR SINK
 - GC — GENERAL CONTRACTOR
 - GT — GREASE TRAP
 - HB — HOSE BIBB
 - HW — HOT WATER
 - L — LAVATORY
 - LOC — LOCATION
 - MC — MECHANICAL CONTRACTOR
 - MS — MOP SINK
 - MTD — MOUNTED
 - NG — NATURAL GAS
 - PC — PLUMBING CONTRACTOR
 - PME — PLUMBING/MECHANICAL/ELECTRICAL
 - REF — REFER/REFERENCE
 - RTU — ROOF TOP HVAC UNIT
 - SS — SANITARY SEWER
 - T&P — TEMPERATURE AND PRESSURE
 - TP — TRAP PRIMER
 - TYP — TYPICAL
 - UR — URINAL
 - V — VENT
 - VS — VEGETABLE SINK
 - VTR — VENT THROUGH ROOF
 - W — WASTE
 - W/ — WITH
 - WB — WASHER BOX
 - WCO — WALL CLEANOUT
 - WH — WATER HEATER
 - WM — WATER METER
 - CONNECT NEW TO EXISTING
- NOTE: ALL ABBREVIATIONS MAY NOT APPLY



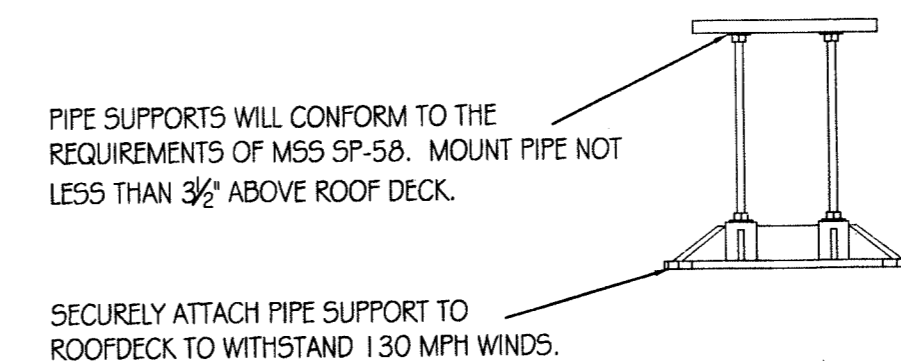
NATURAL GAS ROUTING PLAN

SCALE: N.T.S.



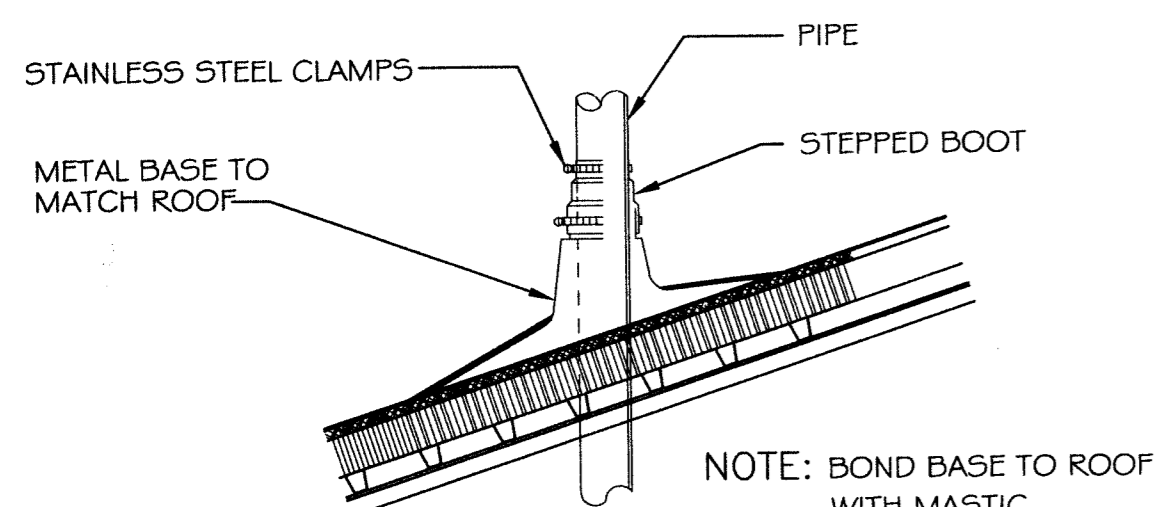
TYPICAL FLOOR SINK WITH HUB DRAIN

N.T.S.



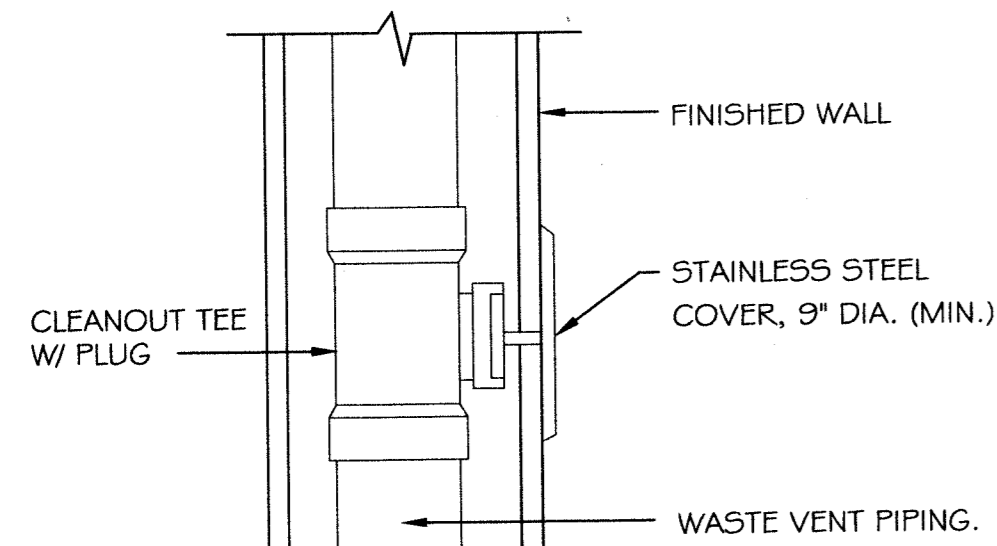
TYPICAL ROOFTOP GAS PIPING SUPPORTS

N.T.S.



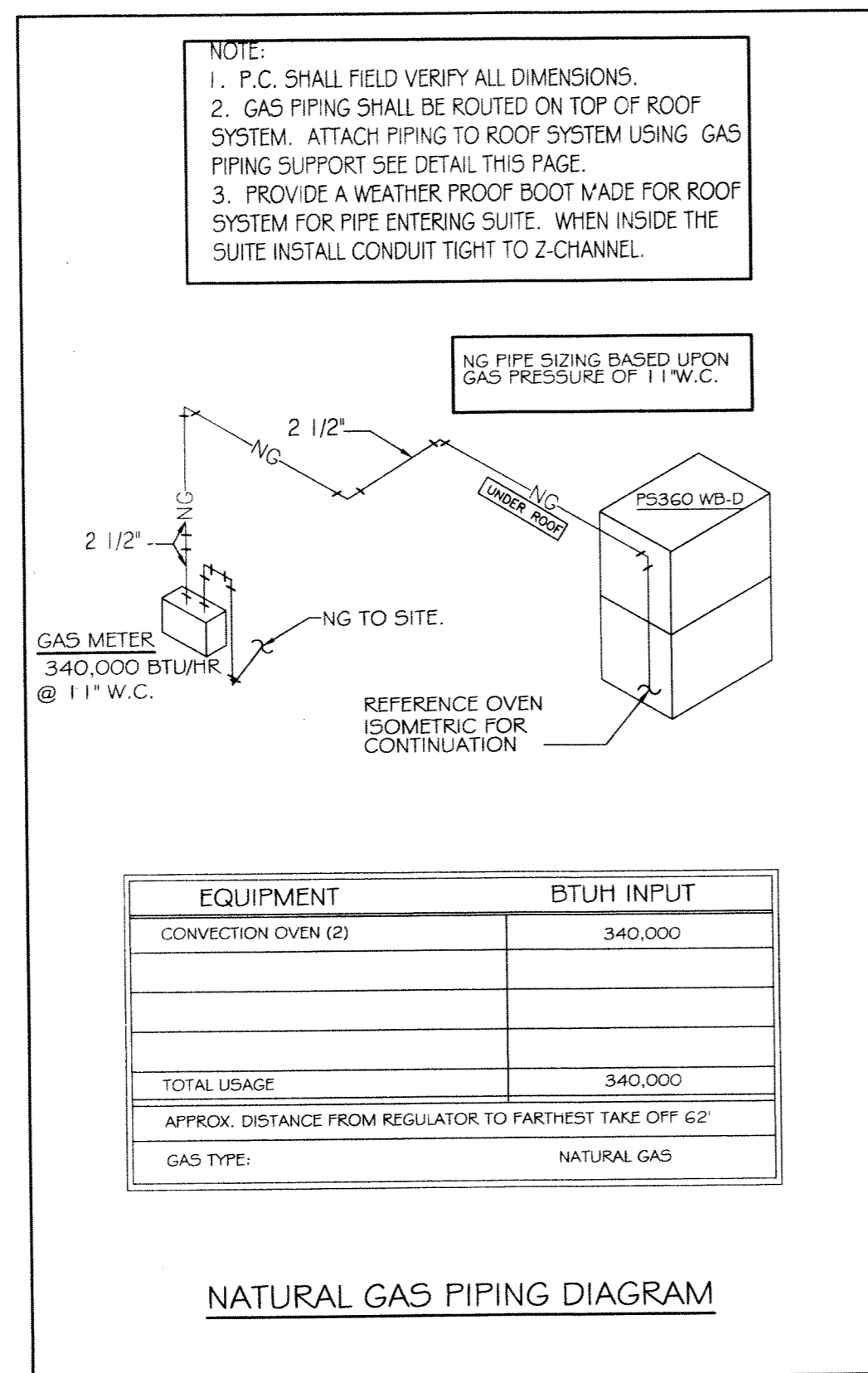
TYPICAL VENT THRU ROOF DETAIL

N.T.S.



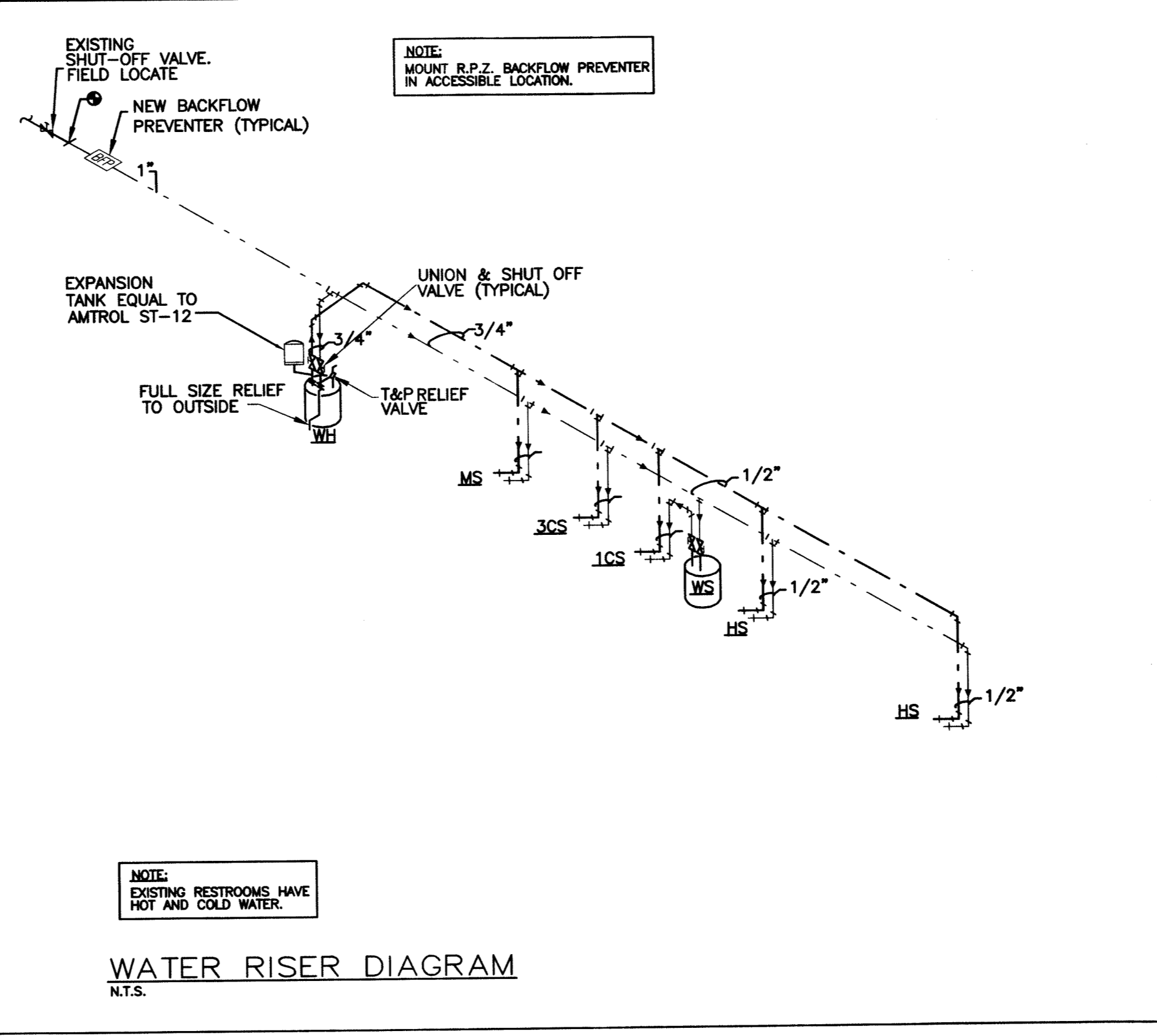
WALL CLEANOUT DETAIL

N.T.S.



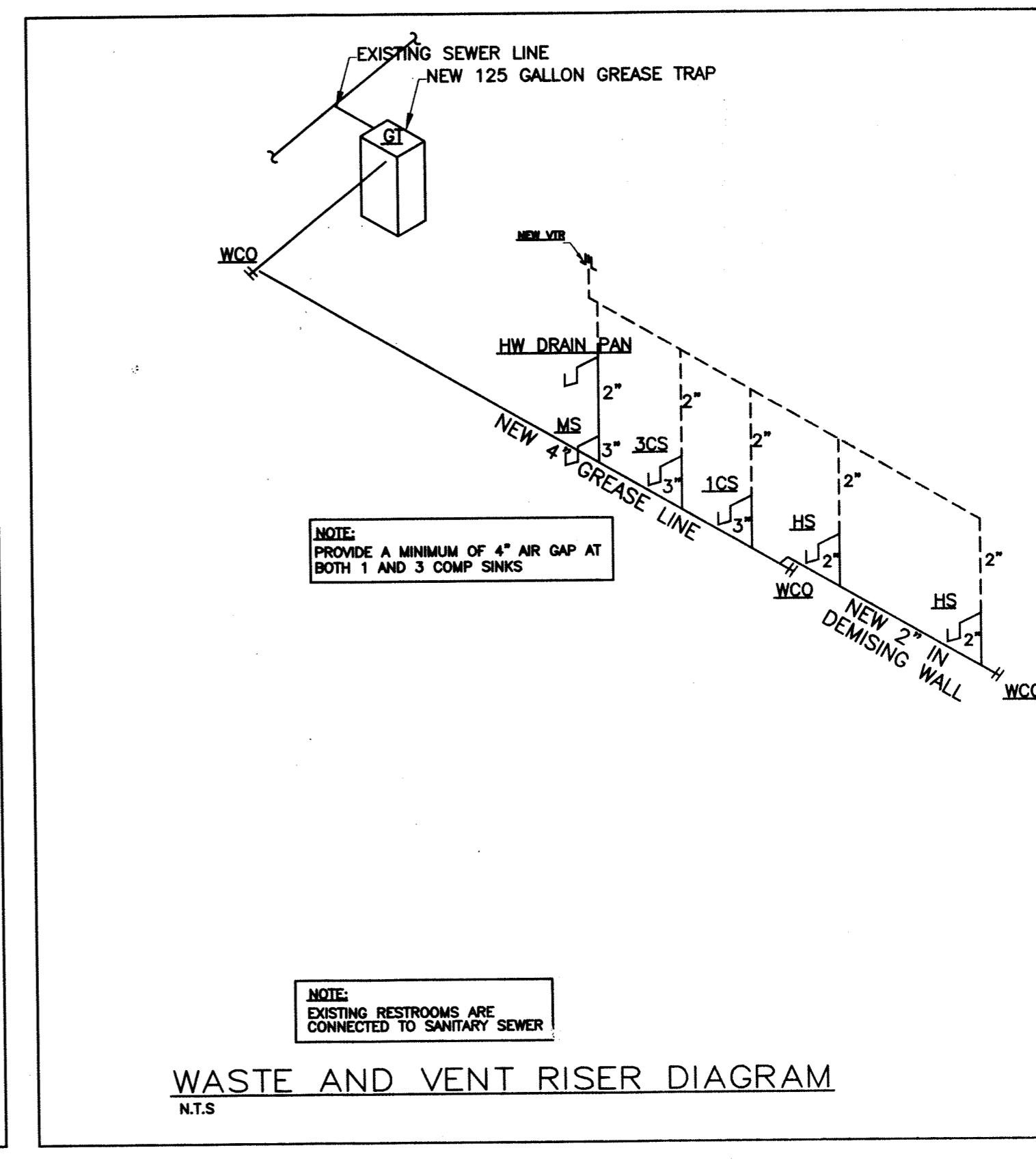
NATURAL GAS PIPING DIAGRAM

EQUIPMENT	BTUH INPUT
CONVECTION OVEN (2)	340,000
TOTAL USAGE	340,000
APPROX. DISTANCE FROM REGULATOR TO FARTHEST TAKE OFF 62'	
GAS TYPE: NATURAL GAS	



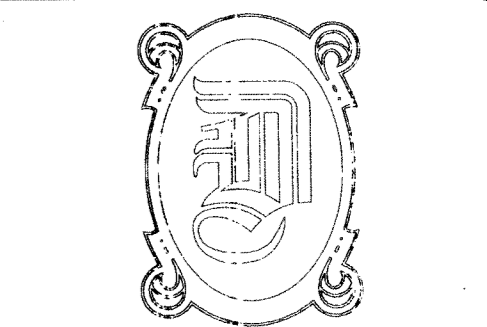
WATER RISER DIAGRAM

N.T.S.



WASTE AND VENT RISER DIAGRAM

N.T.S.



DAMMON ENGINEERING, INC.

EMMETT DAMMON

ARCHITECT ROBERT WILTSE

1095 FLORIDA AVENUE
SLIDELL, LA. 70438
985-649-5832

WEBSITE:
WWW.DAMMONENGINEERING.COM

E-MAIL:
DAMMONENC@BELLSOUTH.NET

ARCHITECTURE

ENGINEERING

STUDIES

PLANNING

INVESTIGATION

EXPERT WITNESS

MARCO'S PIZZA TENANT BUILDOUT

4638 Hwy. 22
Mandeville
Louisiana
70471-2820

PLUMBING DETAILS

SCALE: AS NOTED

JOB#: 2107

DATE: 5-25-11

SHEET 11

P-2

OF 11

APPROVED