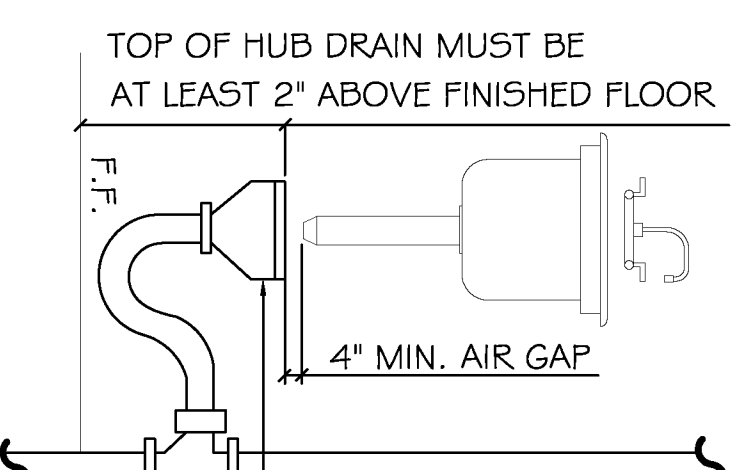


PLUMBING ABBREVIATION LEGEND

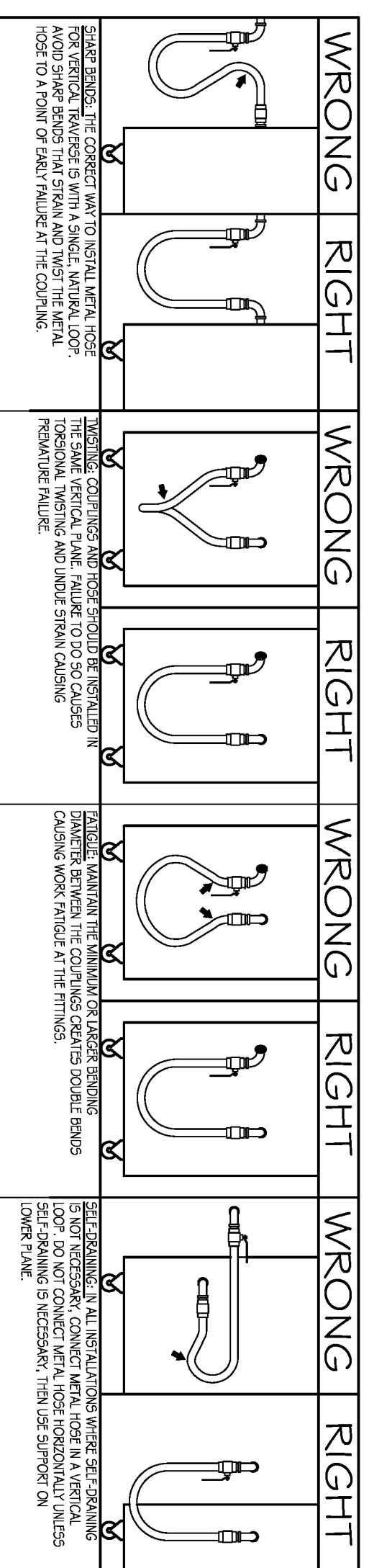
@	AT	ABOVE
ABV	ABOVE FINISH FLOOR	
A.F.F.	WATER CLOSET	
WC	CEILING	
CLG	CLEANOUT	
CO	CONNECT/CONNECTION	
CONN	CONTINUATION	
CONT	THREE COMPARTMENT SINK	
3CS	FOUR COMPARTMENT SINK	
4CS	COLD WATER	
CW	DISPOSAL	
D	DRINKING FOUNTAIN	
DF	DRAWING	
DRWG	DISHWASHER	
DW	EACH	
EA	EXTEND	
EXT	FURNACE/AIR COND.	
FAC	FLOOR CLEANOUT	
FCC	FLOOR DRAIN	
FD	FINISH FLOOR ELEVATION	
FPE	FIXTURE	
FIXT	FLOOR	
FL	FREEZE PROOF WALL HYDRANT	
FMH	FLOOR SINK	
F5	GENERAL CONTRACTOR	
GC	GREASE TRAP	
GT	HOSE BIBS	
HB	HOT WATER	
HW	LAVATORY	
L	LOCATION	
LOC	MECHANICAL CONTRACTOR	
MC	MOP SINK	
MS	MOUNTED	
MTD	NATURAL GAS	
NG	PLUMBING CONTRACTOR	
PC	PLUMBING/MECHANICAL/ELECTRICAL	
PME	REFERENCE	
REF	ROOF TOP HVAC UNIT	
RTU	SANITARY SEWER	
SS	TEMPERATURE AND PRESSURE	
T&P	TRAP PRIMER	
TP	TYPICAL	
UR	URINAL	
UR	VENT	
V	VEGETABLE SINK	
VS	VENT THROUGH ROOF	
VTR	WASTE	
W	WITH	
W/	WASHER BOX	
WB	WALL CLEANOUT	
WCO	WATER HEATER	
WH	WATER METER	
WM	CONNECT NEW TO EXISTING	
☉		

NOTE: ALL ABBREVIATIONS MAY NOT APPLY

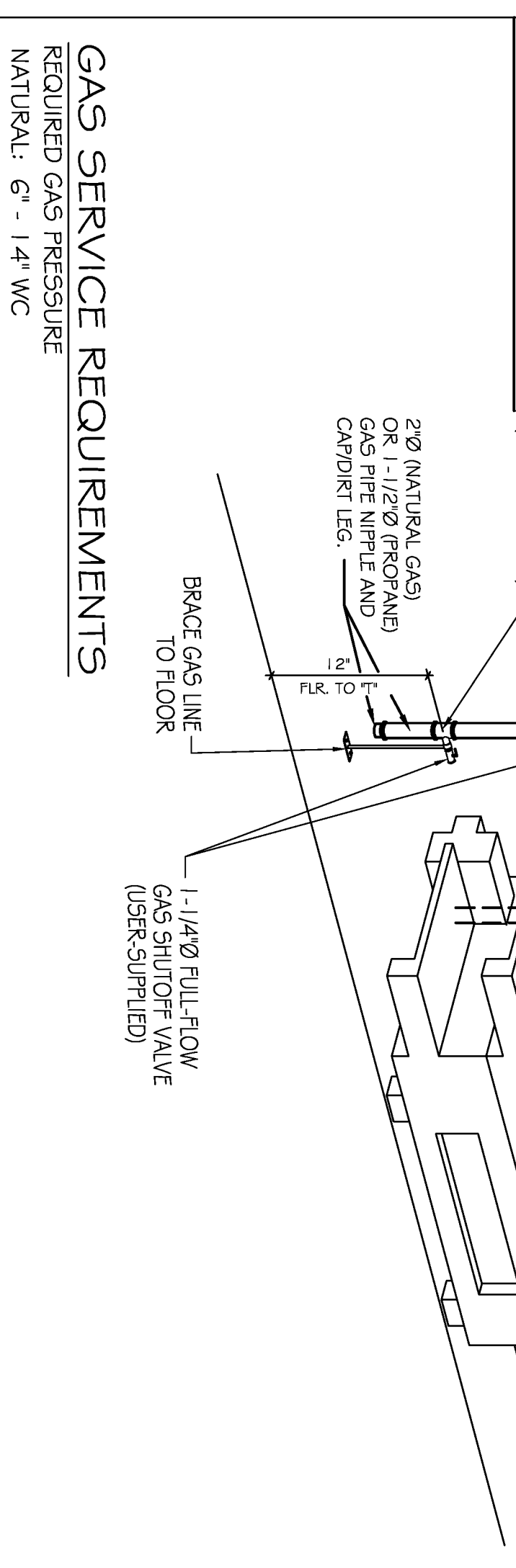


HUB DRAIN MUST BE EQUIPPED WITH A BASKET OR OTHER DEVICE WHICH SHALL PREVENT PASSAGE OF SOLIDS 1/2" OR LARGER. THIS BASKET OR DEVICE SHALL BE REMOVABLE FOR CLEANING.

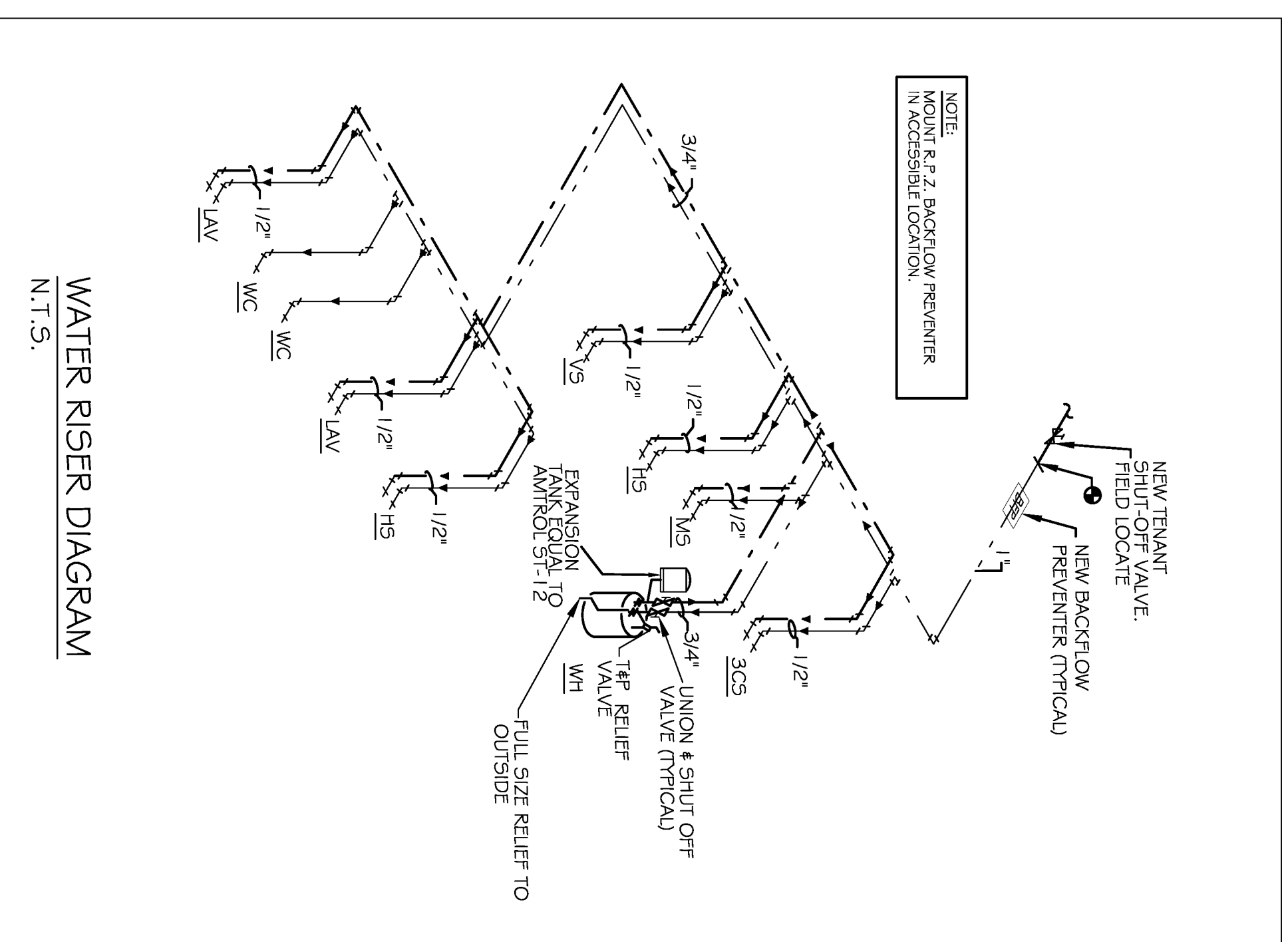
TYPICAL FLOOR SINK WITH HUB DRAIN
N.T.S.



WRONG **RIGHT**

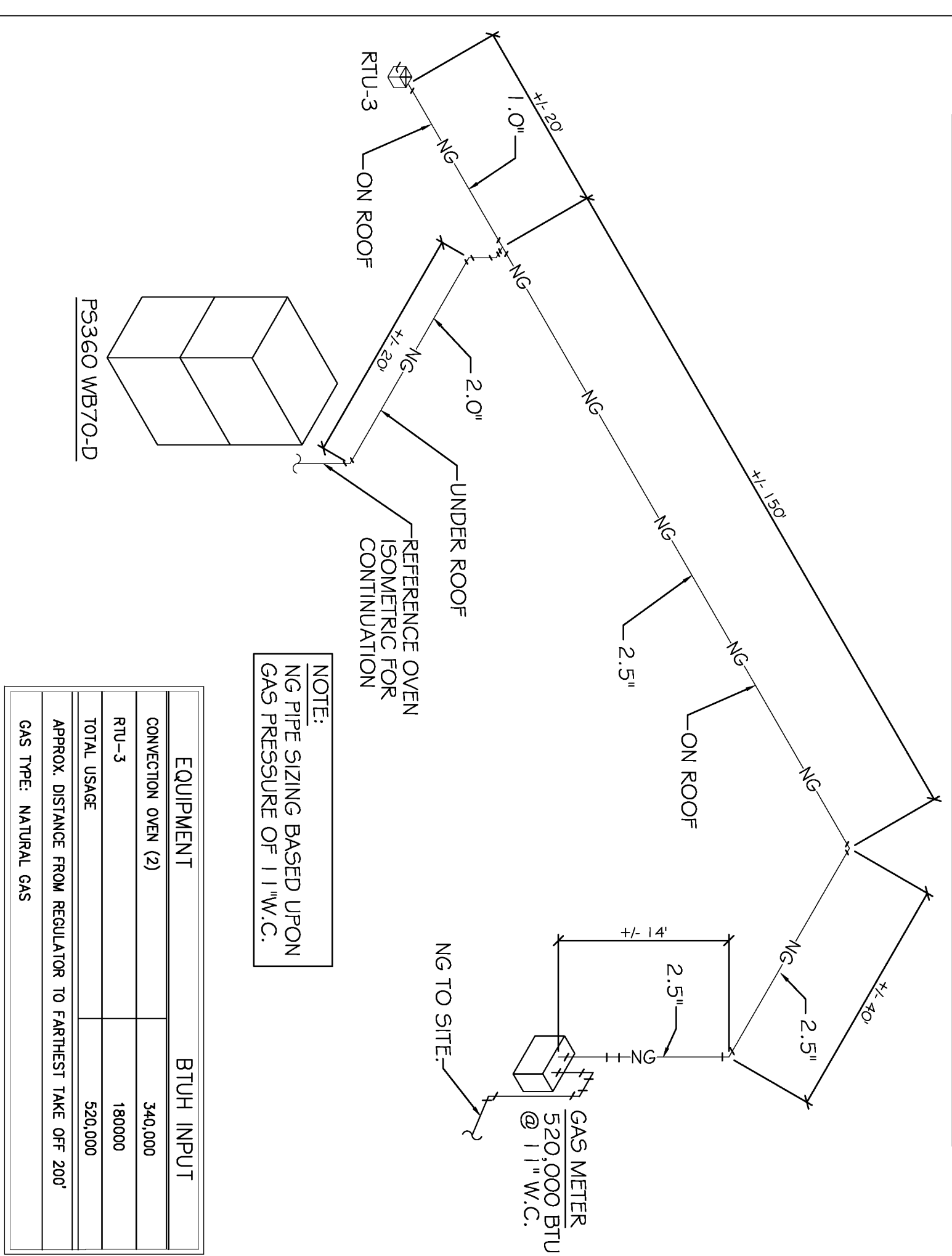


GAS SERVICE REQUIREMENTS
REQUIRED GAS PRESSURE
NATURAL: 6" - 14" WC
P3360 WB-D OVENS ROUGH - IN ISOMETRIC
NO SCALE (HOOD NOT SHOWN)

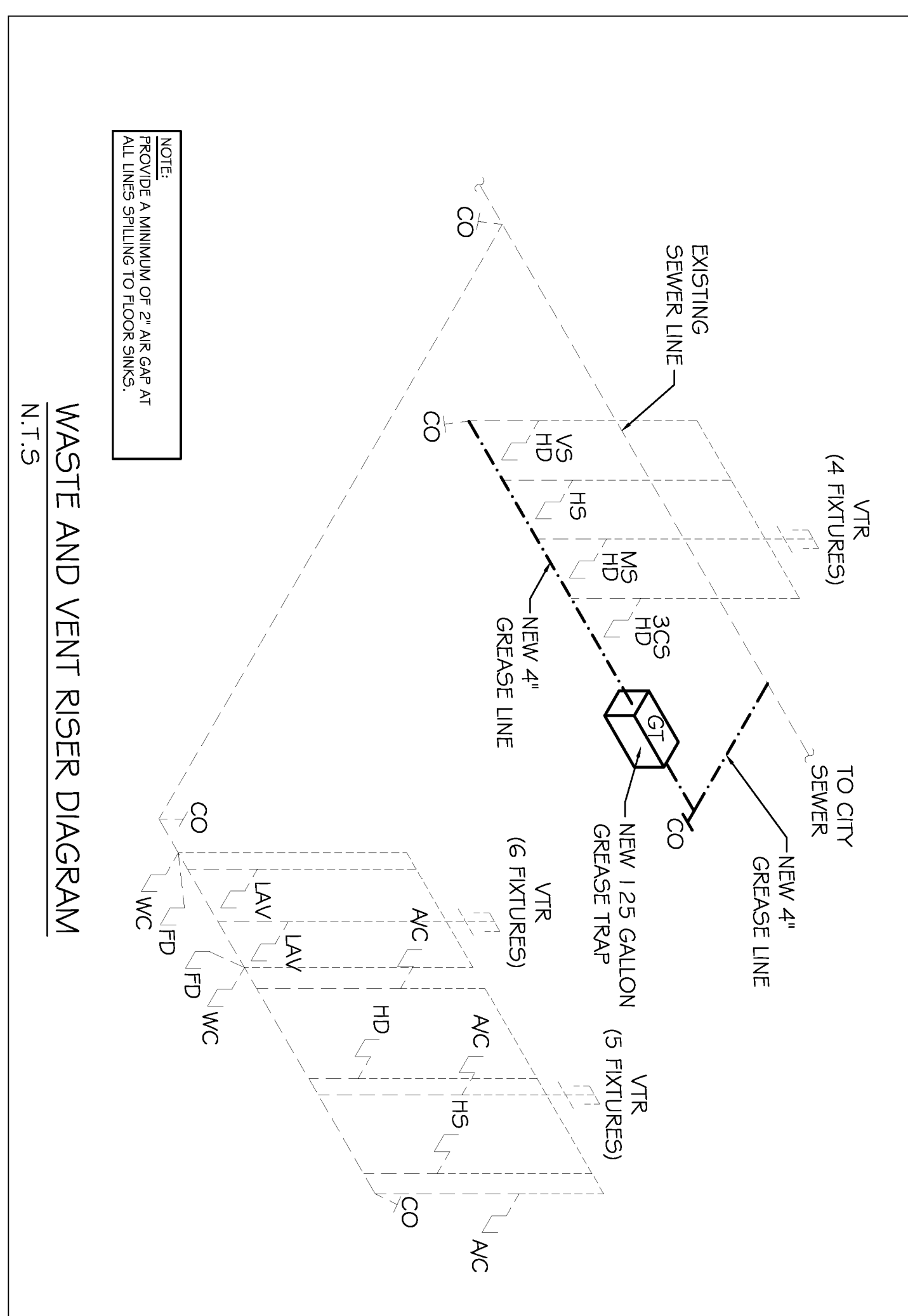


WATER RISER DIAGRAM
N.T.S.

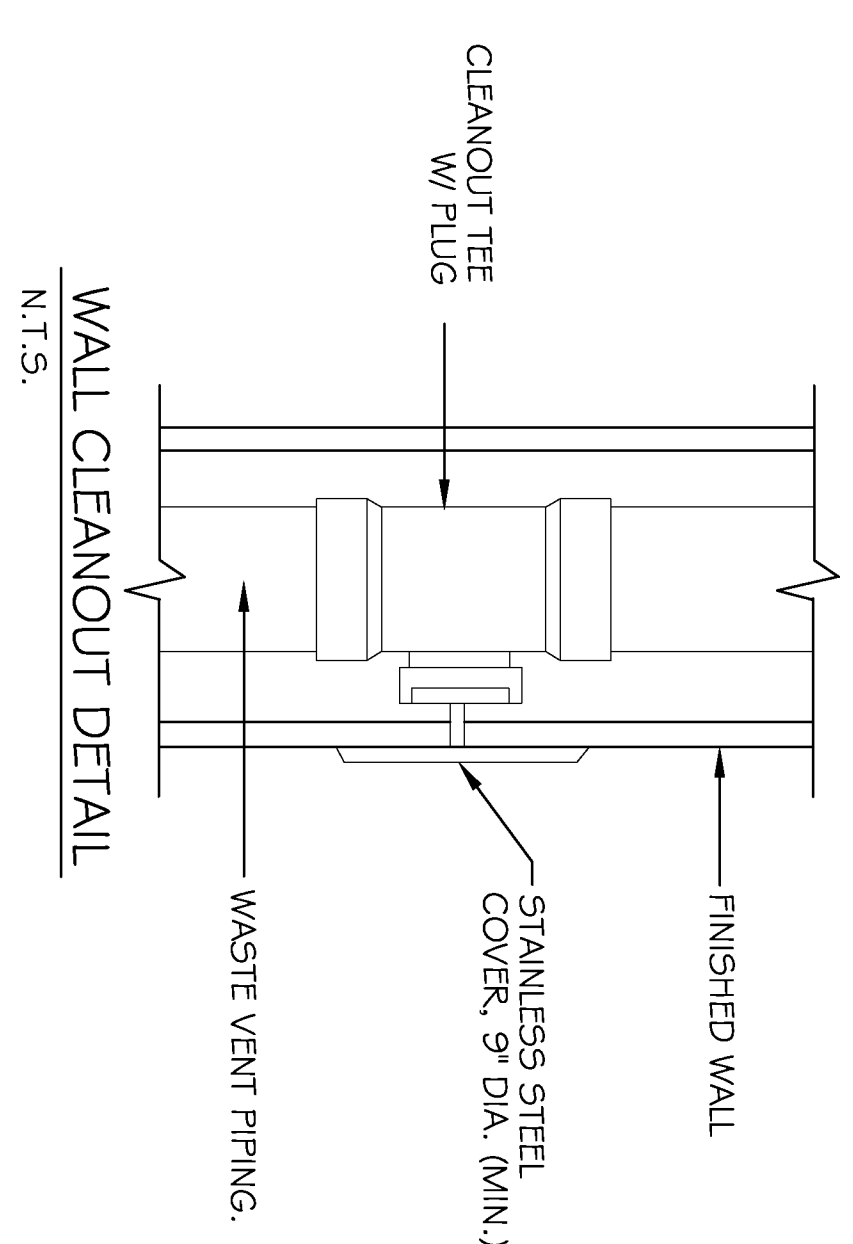
NOTE:
1. P.C. SHALL FIELD VERIFY ALL DIMENSIONS.
2. ALL GAS PIPING IS INSTALLED INSIDE HIGH IN CEILING SPACE EXCEPT WHERE NOTED OTHERWISE.
3. PROVIDE ROOF ATTACHMENT HARDWARE FOR ALL ROOF MOUNTED FITES AND EQUIPMENT TO MEET 130 MPH WIND LOADS



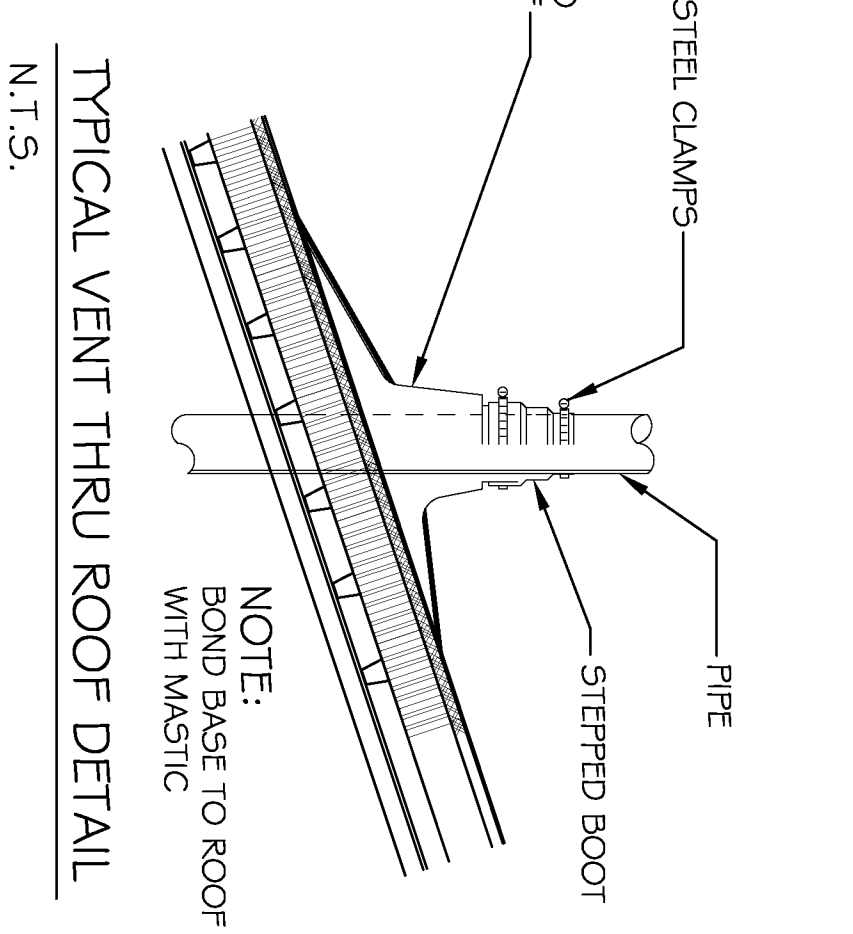
NATURAL GAS PIPING DIAGRAM



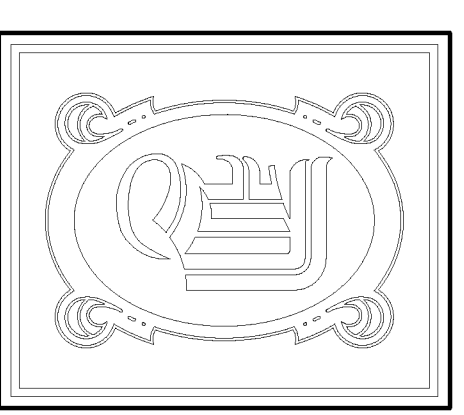
WASTE AND VENT RISER DIAGRAM
N.T.S.



WALL CLEANOUT DETAIL
N.T.S.



TYPICAL VENT THRU ROOF DETAIL
N.T.S.



DAMMON ENGINEERING, INC.
CHIEF ENGINEER
ENNETT
DAMMON, P.E.
CHIEF ARCHITECT
ROBERT
WILTSE

554 OLD SPANISH TRAIL
SLIDELL, LA. 70458
OFFICE: 985-649-5632
FAX: 985-641-5950
WWW.DAMMONENGINEERING.COM
EMAIL: DAMMONENG@BELL.SOUTH.NET

ARCHITECTURE
ENGINEERING
STUDIES
PLANNING
INVESTIGATION
EXPERT WITNESS

MARCOS
PIZZA
TENANT
BUILDOUT

9212 WEST
JUDGE PEREZ DR.
CHALMETTE, LA

PLUMBING
PLAN

REV:
SCALE: AS NOTED
JOB#: 2126
DATE: 12-08-11
SHEET 11

P-2
OF 11