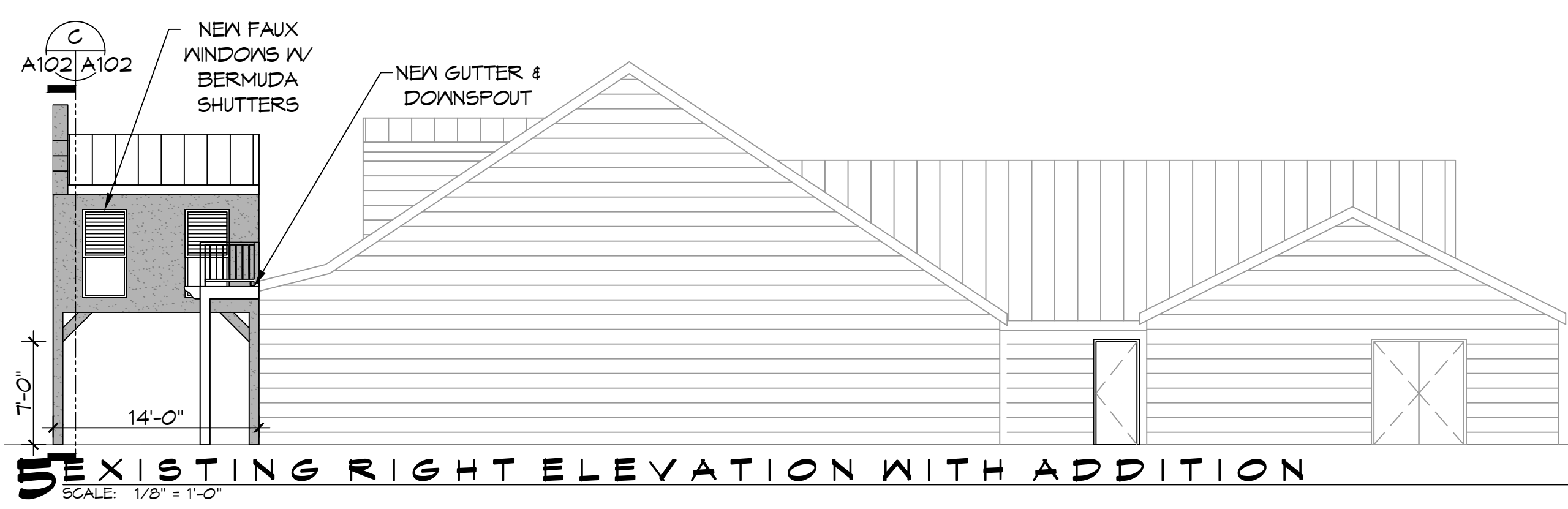
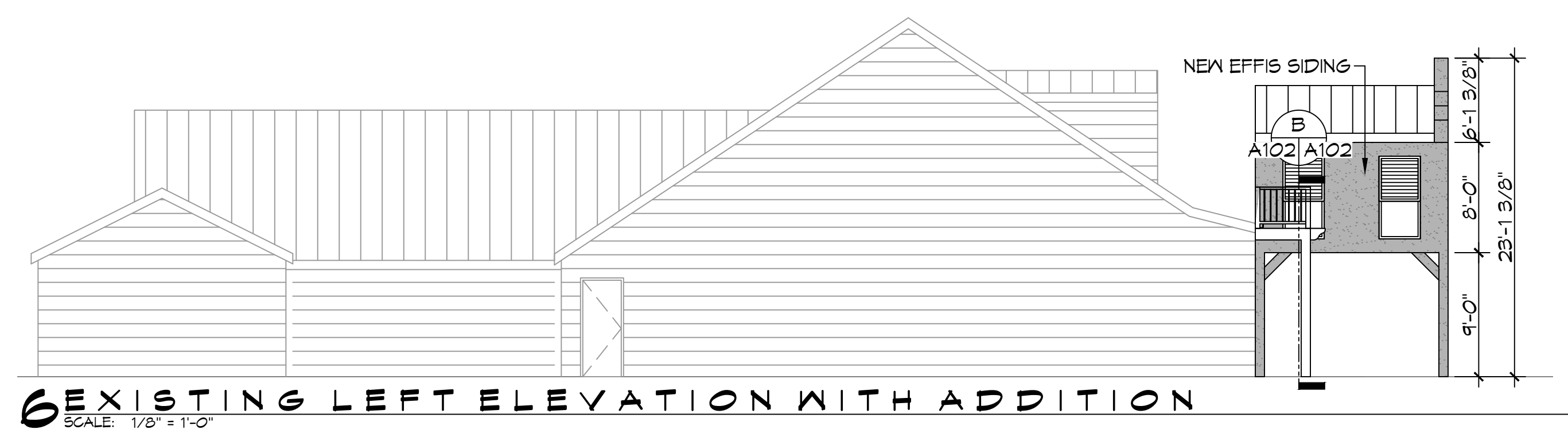


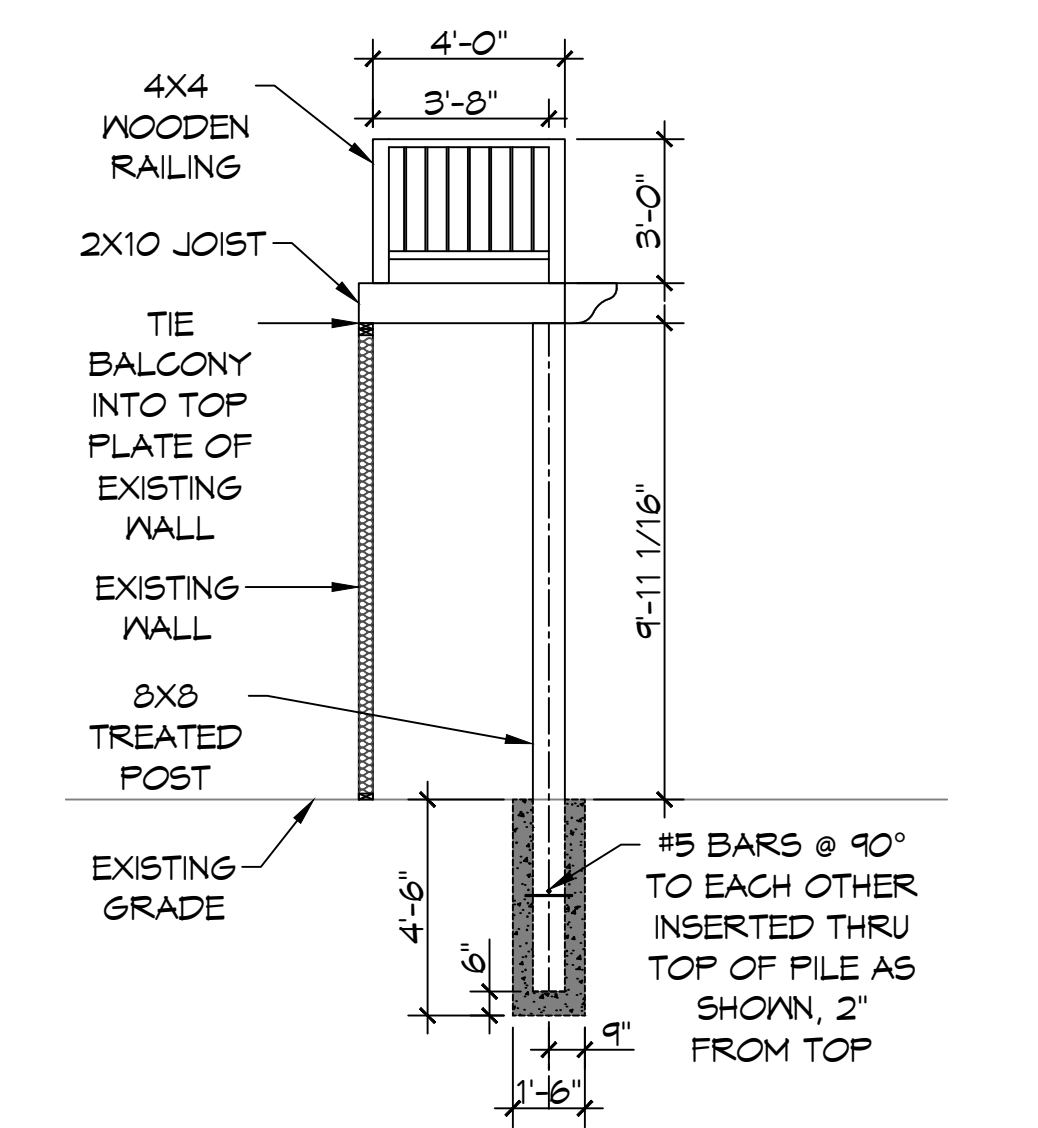
4 EXISTING FRONT ELEVATION WITH ADDITION  
SCALE: 1/4" = 1'-0"



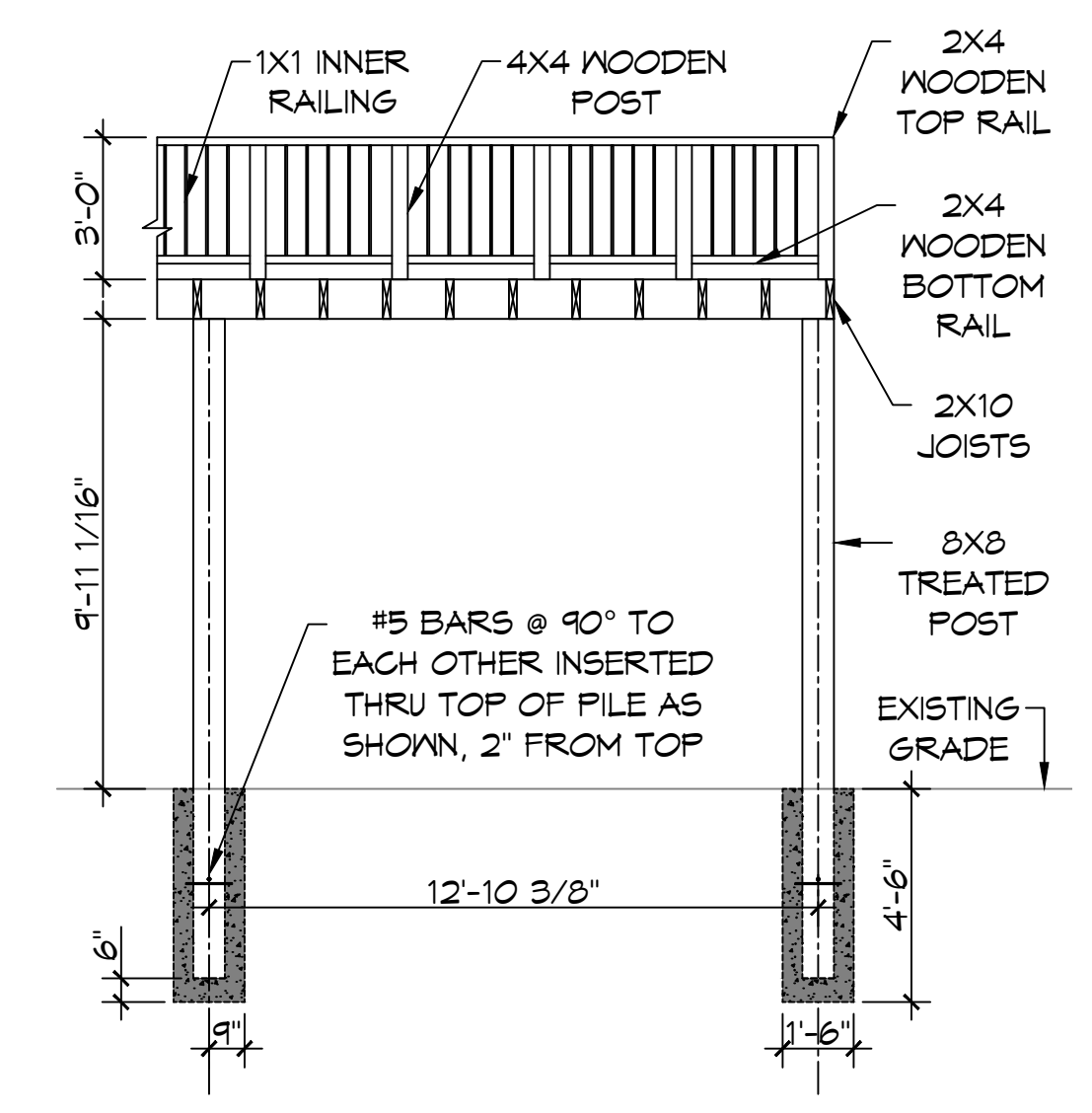
5 EXISTING RIGHT ELEVATION WITH ADDITION  
SCALE: 1/8" = 1'-0"



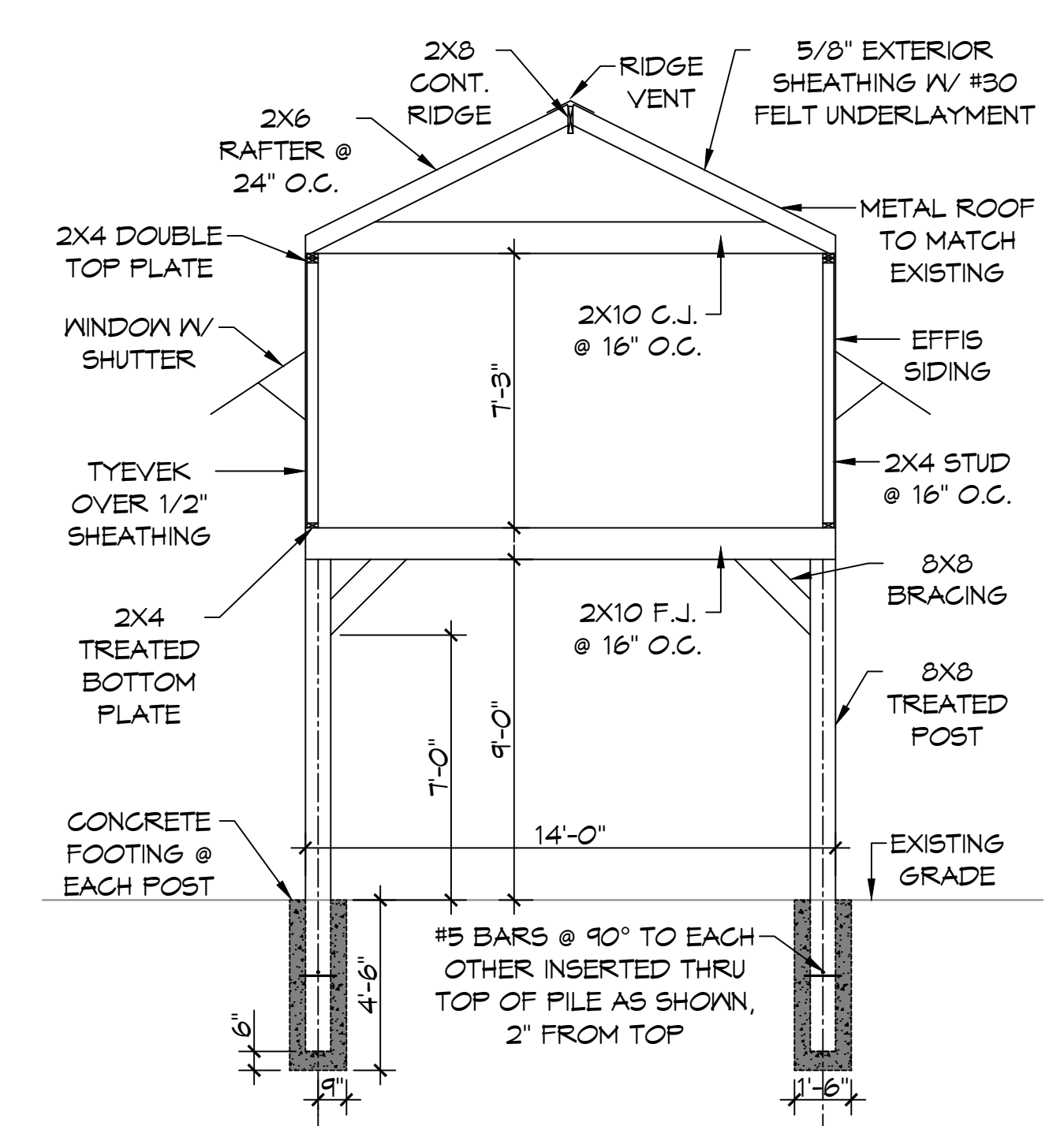
6 EXISTING LEFT ELEVATION WITH ADDITION  
SCALE: 1/8" = 1'-0"



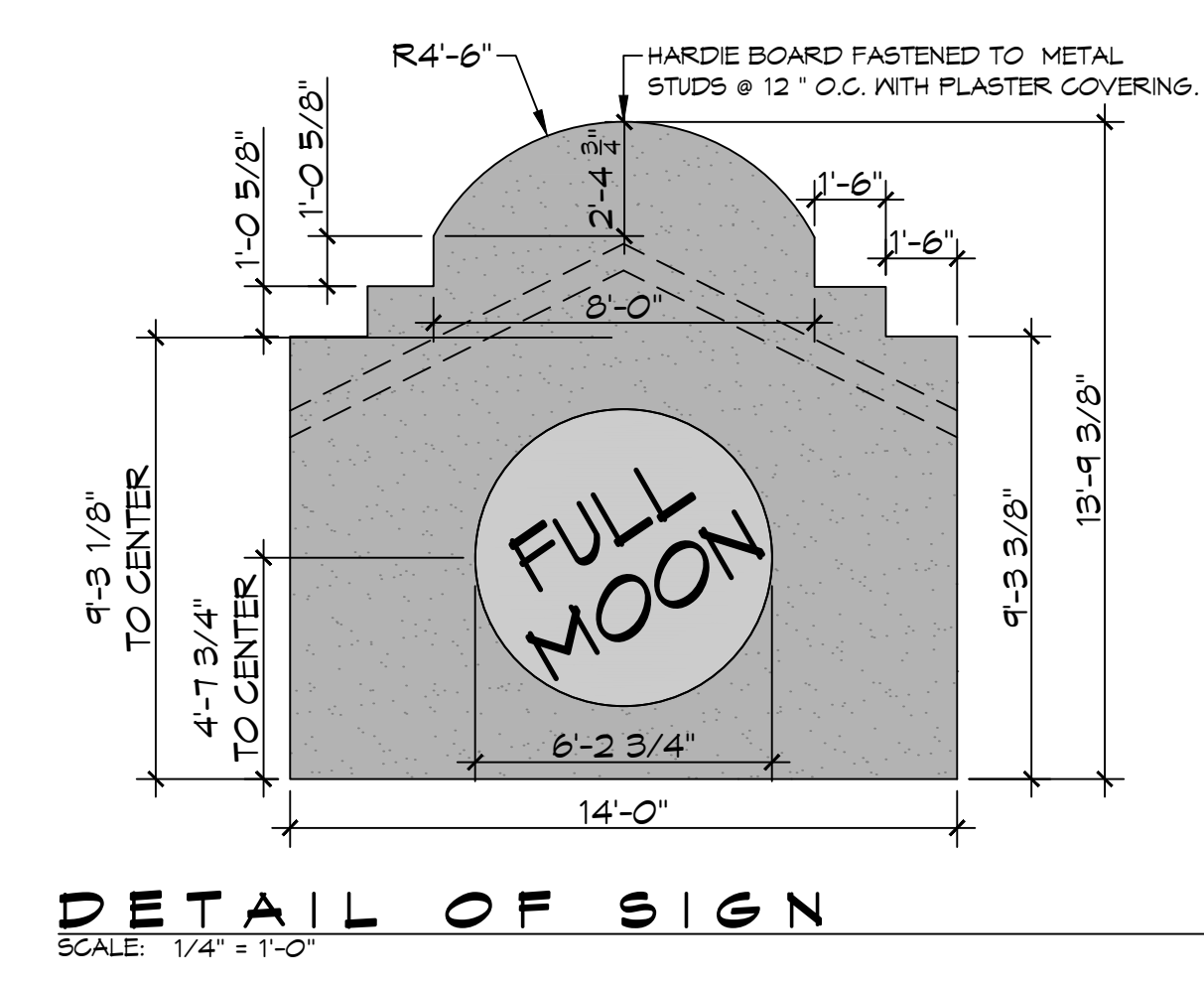
A BALCONY SECTION  
SCALE: 1/4" = 1'-0" SIDE VIEW



B BALCONY SECTION  
SCALE: 1/4" = 1'-0" FRONT VIEW



C PORTASHAY SECTION  
SCALE: 1/4" = 1'-0" FRONT VIEW



DETAIL OF SIGN  
SCALE: 1/4" = 1'-0"

**DAMMON**  
ENGINEERING, INC.  
LOUISIANA & MISSISSIPPI  
www.dammonengineering.com  
info@dammonengineering.com  
PH: 985.649.8832  
Chief Engineer: Brian Mastich, PE  
554 Old Spanish Trail  
Slidell, LA 70458

#	DESCRIPTION	DATE

REVISIONS

SEAL:

RENOVATIONS  
FULL MOON BAR  
AND GRILL  
1801 NORTH COLLINS BLVD.  
COVINGTON, LA 70433

JOB No: 11-4-2021  
DATE: 11-4-2021  
DRAWN BY: JMS  
TNT CHECKED BY:

SHEET TITLE:  
ELEVATION PLAN  
DRAWING NUMBER:  
**A102**  
SHEET No: 3 of 3