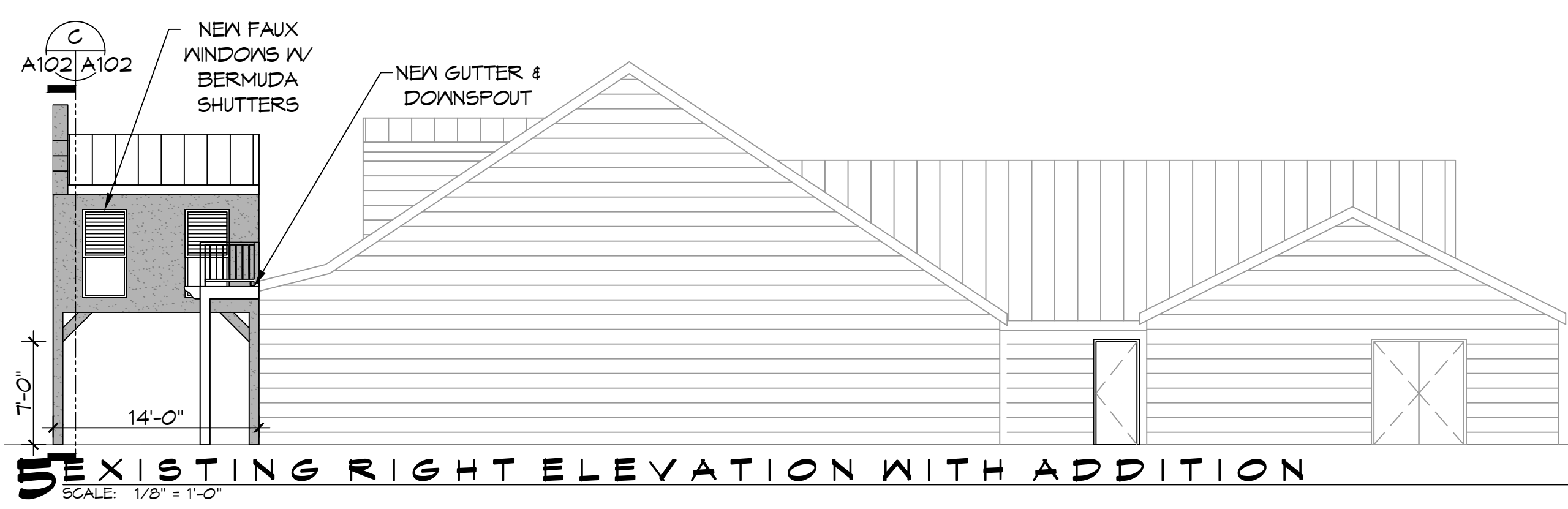
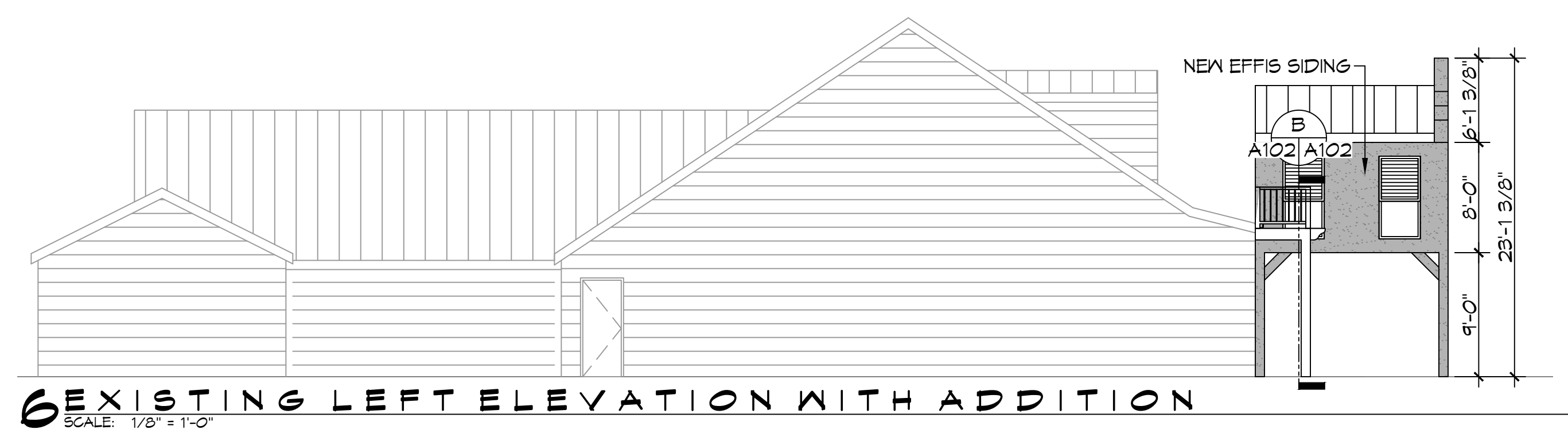


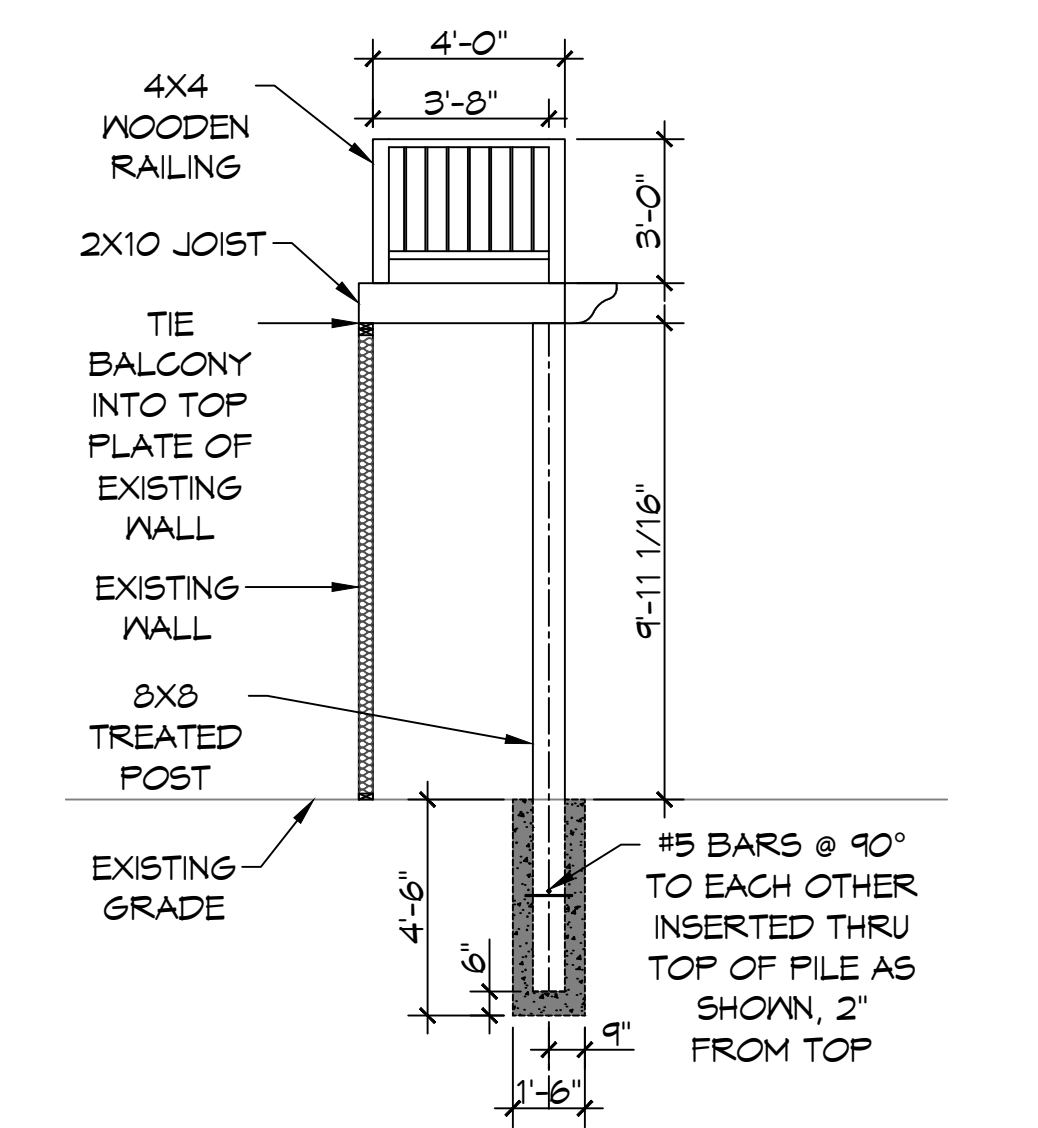
4 EXISTING FRONT ELEVATION WITH ADDITION
SCALE: 1/4" = 1'-0"



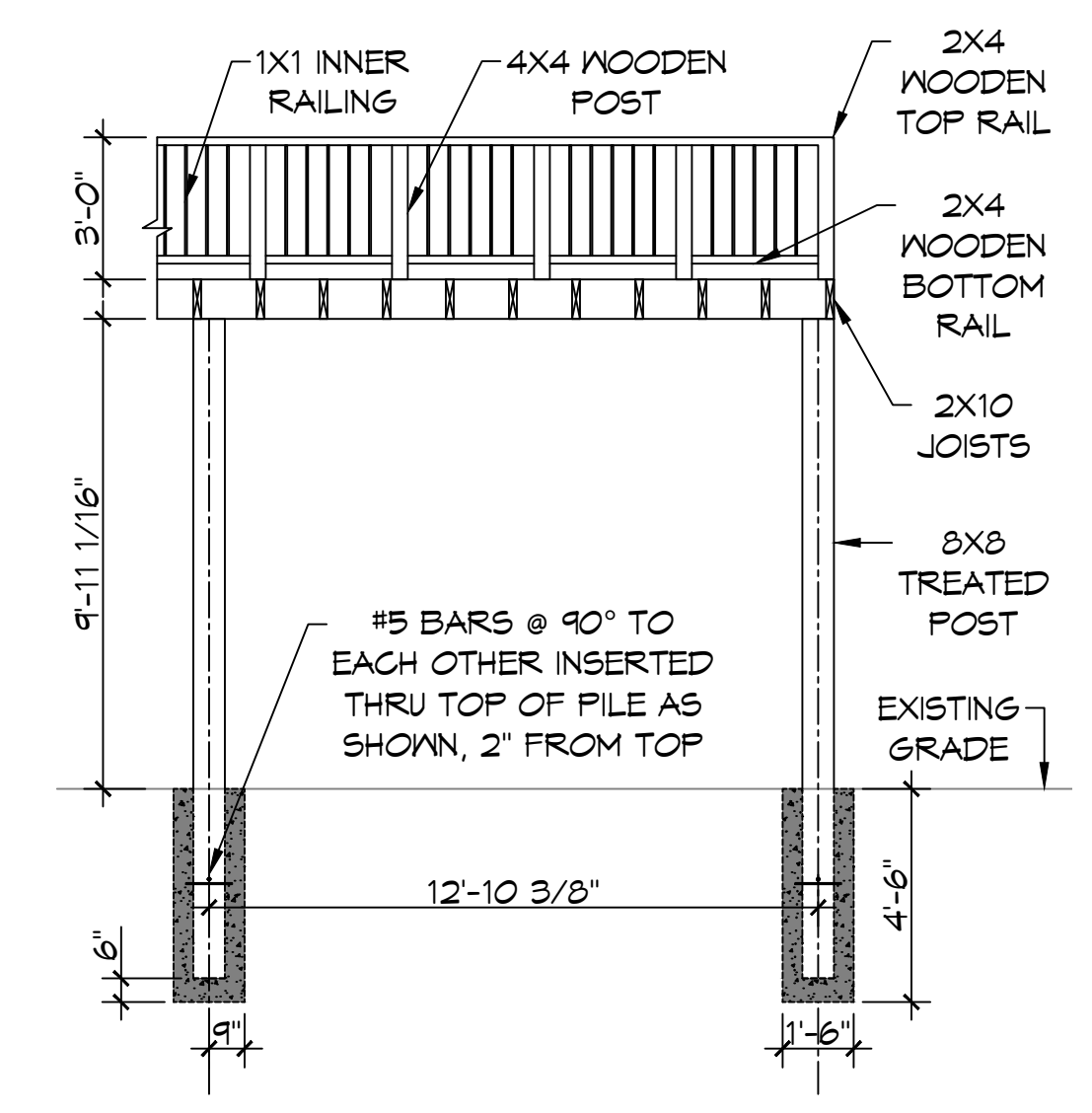
5 EXISTING RIGHT ELEVATION WITH ADDITION
SCALE: 1/8" = 1'-0"



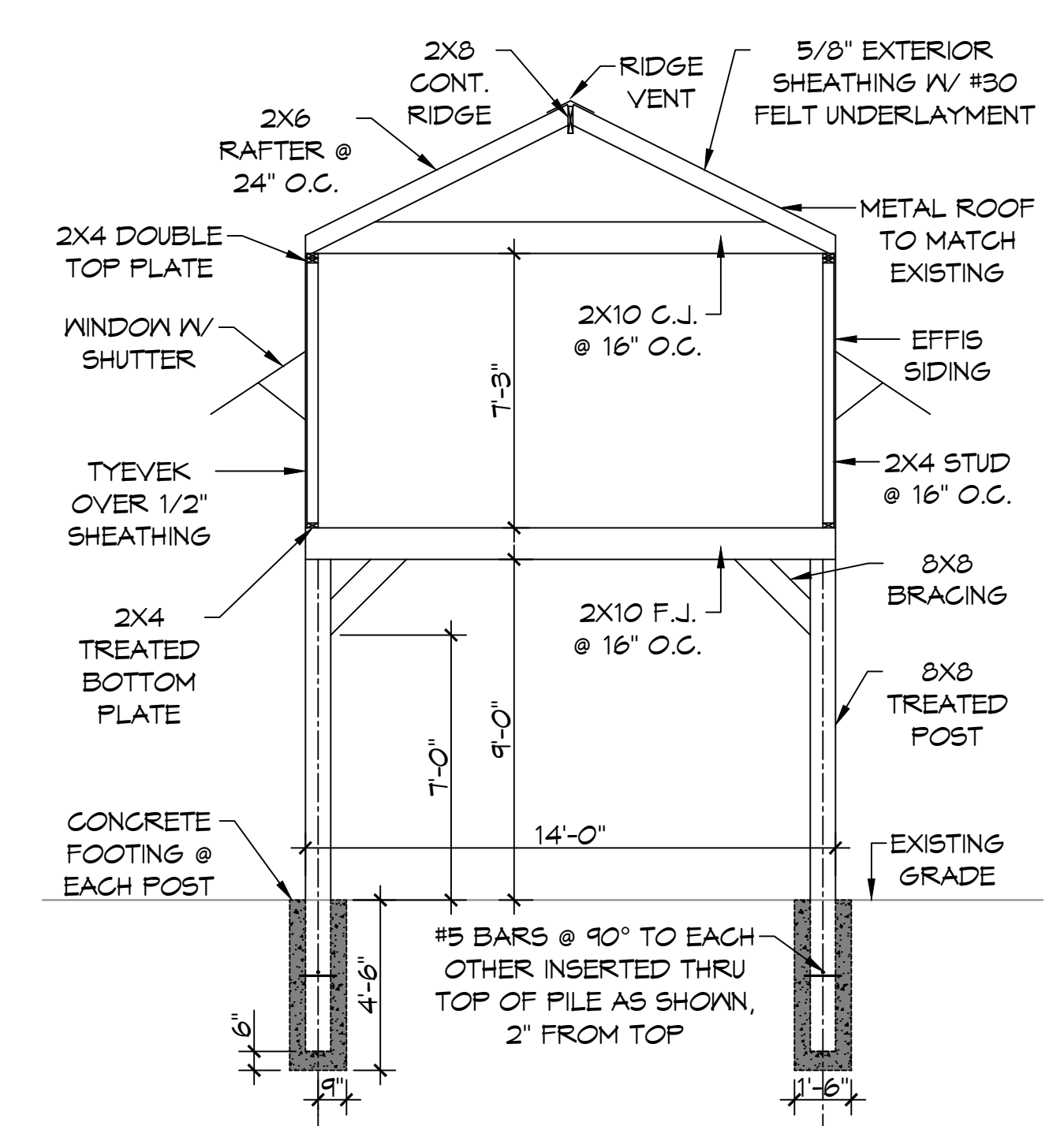
6 EXISTING LEFT ELEVATION WITH ADDITION
SCALE: 1/8" = 1'-0"



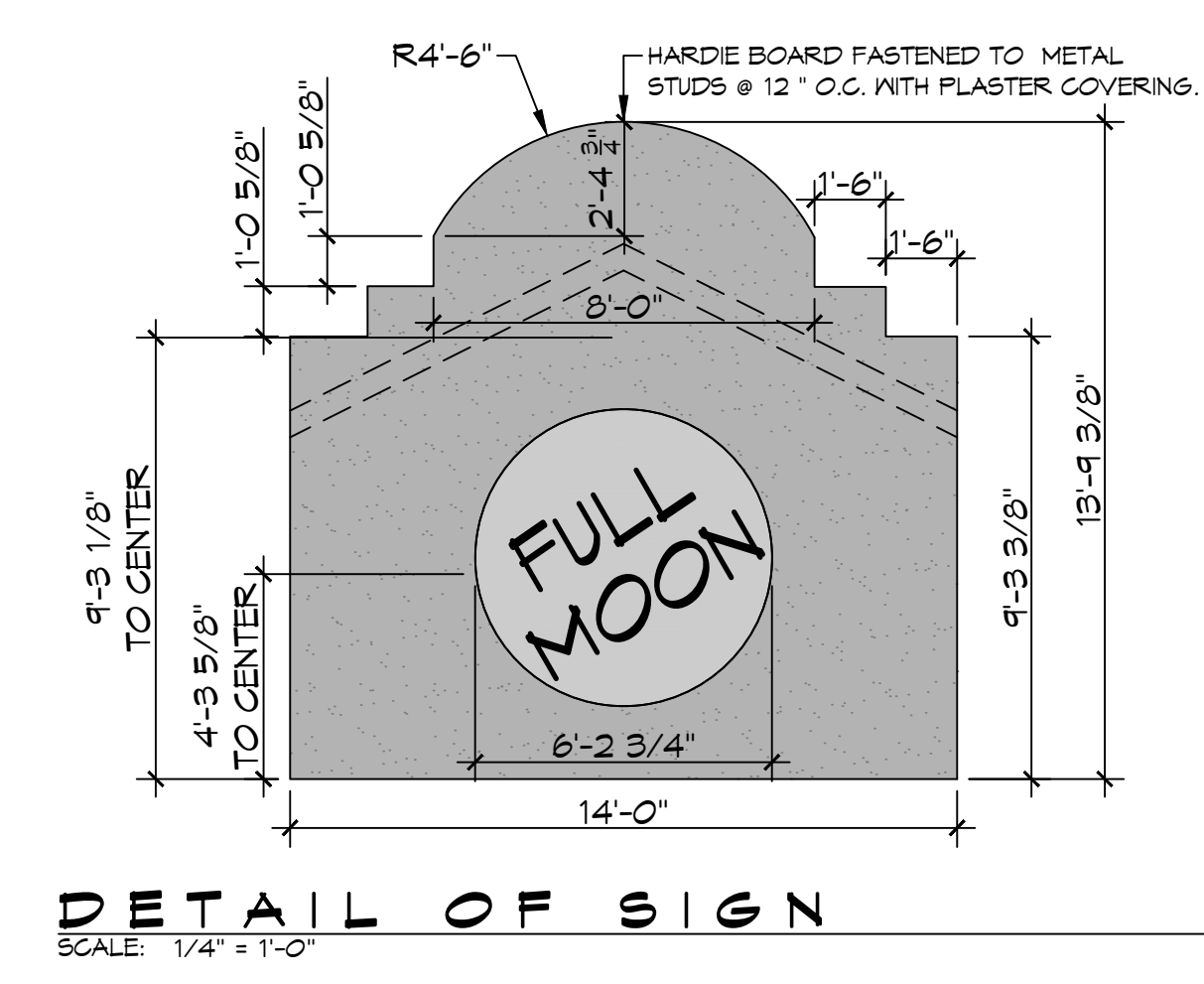
A BALCONY SECTION
SCALE: 1/4" = 1'-0" SIDE VIEW



B BALCONY SECTION
SCALE: 1/4" = 1'-0" FRONT VIEW



C PORTASHAY SECTION
SCALE: 1/4" = 1'-0" FRONT VIEW



DETAIL OF SIGN
SCALE: 1/4" = 1'-0"

DAMMON ENGINEERING, INC.
LOUISIANA & MISSISSIPPI
www.dammonengineering.com
info@dammonengineering.com
PH: 985.649.8832
Chief Engineer: Brian Mastich, PE
554 Old Spanish Trail
Slidell, LA 70458

#	DESCRIPTION	DATE

REVISIONS

RENOVATIONS
FULL MOON BAR AND GRILL
1801 NORTH COLLINS BLVD.
COVINGTON, LA 70433
JOB No: 11-4-2021
DATE: 11-4-2021
DRAWN BY: JMS
TNT CHECKED BY: JMS

SHEET TITLE:
ELEVATION PLAN
DRAWING NUMBER:
A102
SHEET No: 3 of 3