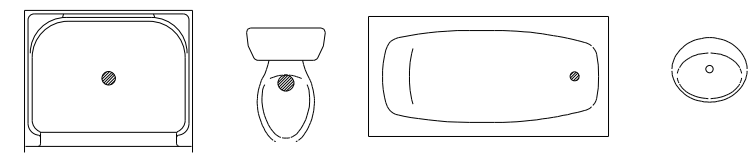


Builder must check correctness of this drawing PRIOR to erection of this system. This drawing is conceptual and should be used with the Architectural plans to insure proper joist and beam placement. Stairways may be drawn small to allow for adjustments in the field.

BEARING WALLS AND POINT LOADS FROM FLOORS ABOVE DIRECTLY EFFECT SLAB OR FLOORS BELOW AND SHOULD BE ADDRESSED PRIOR TO INSTALLATION OF SLAB OR FLOORS BELOW IF NOT DIRECTLY ADDRESSED IN THESE LAYOUTS

Symbols for reference only. Framers to verify fixture locations for proper joist adjustments.



FLOOR
LIVE 100# PSF
DEAD 15# PSF

PRELIMINARY LAYOUT ONLY!!!!!!!

Products				
PlotID	Net Qty	Product	Length	Plies
1-2	88	16" BCI@ 90s-2.0 SP	28' 0"	2
2	44	16" BCI@ 90s-2.0 SP	22' 0"	1
3	1	STEEL BEAM BY OTHERS	58' 0"	1
4	1	STEEL BEAM BY OTHERS	34' 0"	1
Bk1	77	16" BCI@ 4500s-1.8 SP	2' 0"	1



NOTE:
ALL MEASUREMENTS
TO BE VERIFIED
IN THE FIELD.

Floor 1

BEV. INC. - Reception Hall

Slidell, La.

BC FRAMER

Scale: N.T.S.

Date: 10/17/2014

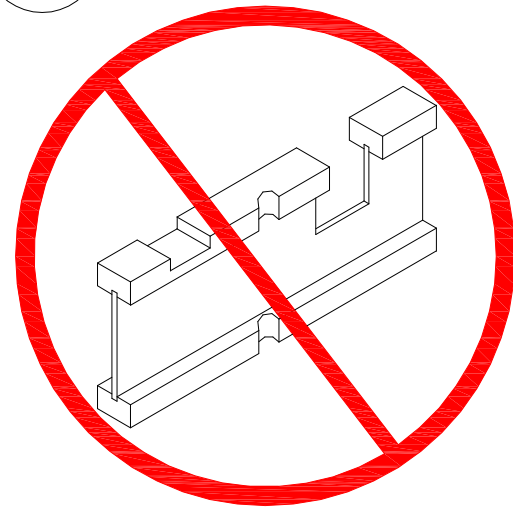
By: Ronnie Talley

File: 19019

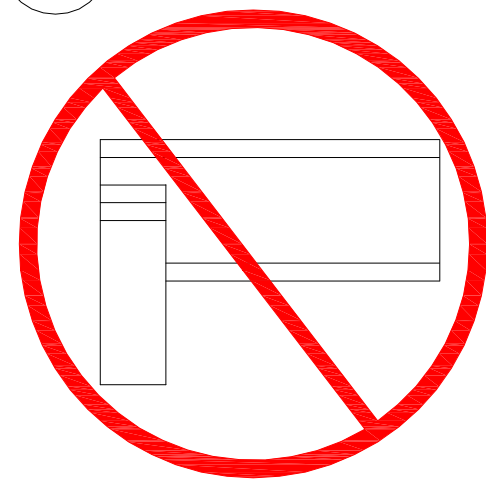
DWG:

Sheet: 1/1

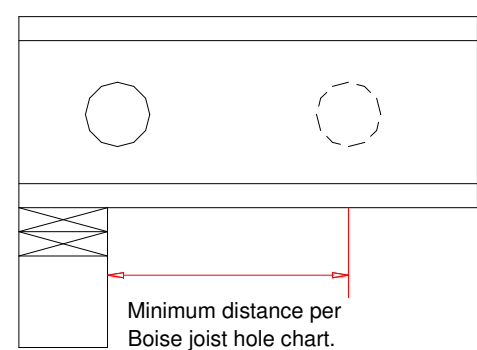
DN01 DO NOT cut, notch or drill flanges



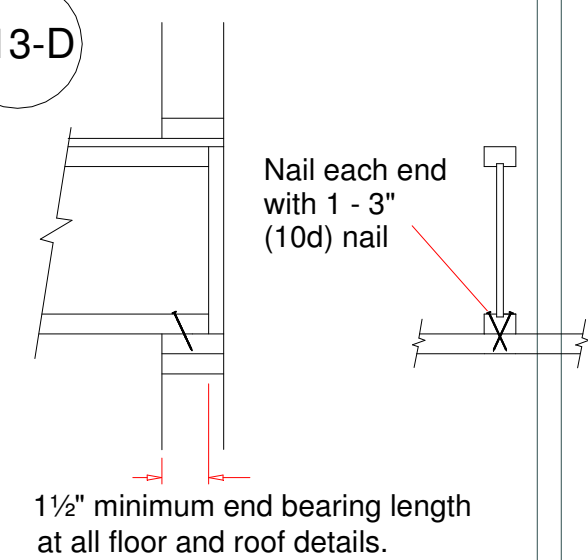
DN03 DO NOT support joist by top flange and/or web.



DN04 DO NOT cut holes near bearing support



F13-D



B12-A

Side Loaded Connection
Double & Triple 1-3/4" Versa-Lam®
Nail Pattern

Number of Members	Max. Uniform Load (lbs. per ln. ft.)	
	2 rows	3 rows
2	470	705
3 (a)	350	525

(a) Nail pattern for 3-piece member must occur on both sides.
Nail values may be increased by 15% for snow load roofs and by 25% for non-snow load roofs where building code allows.

