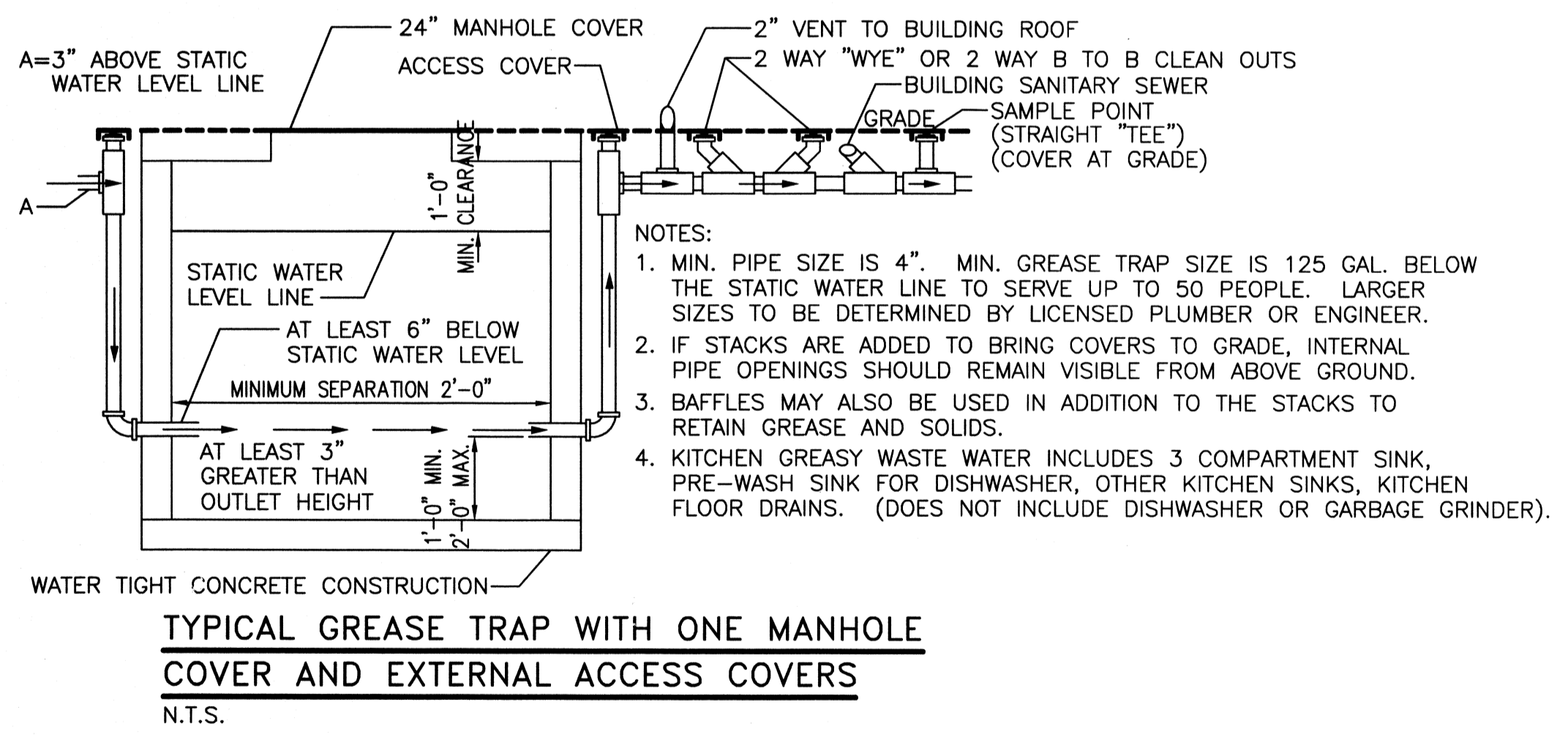
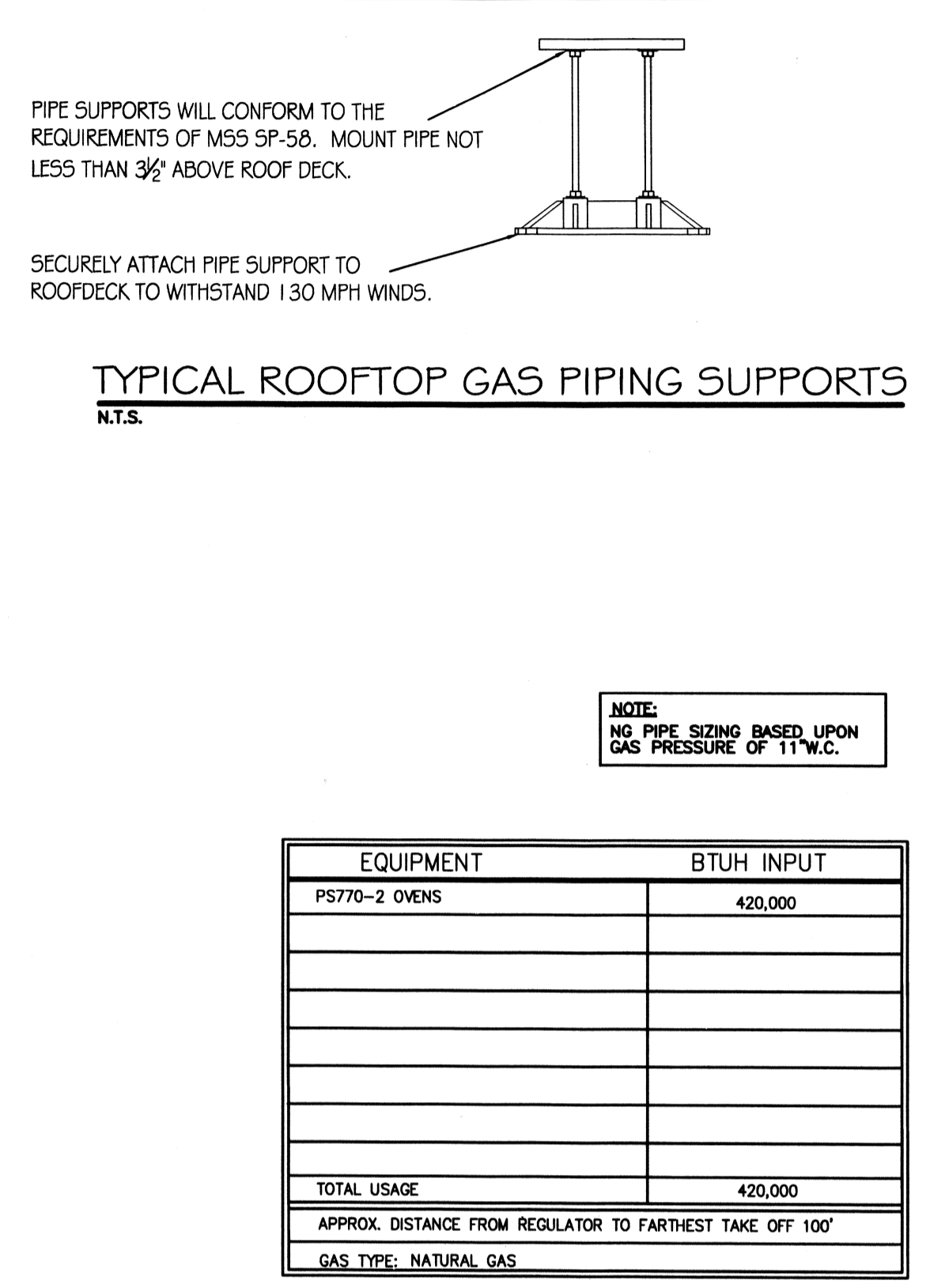
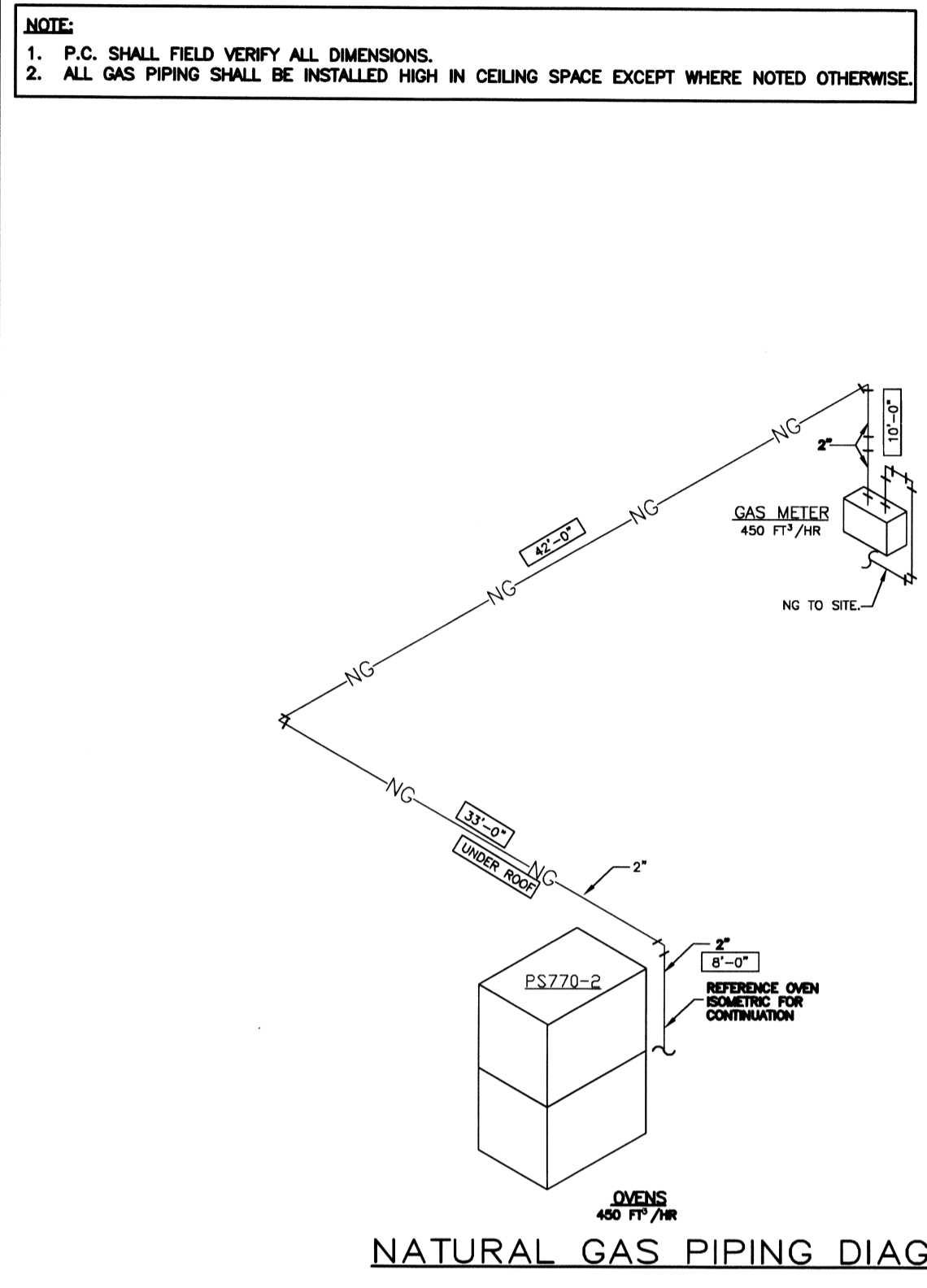
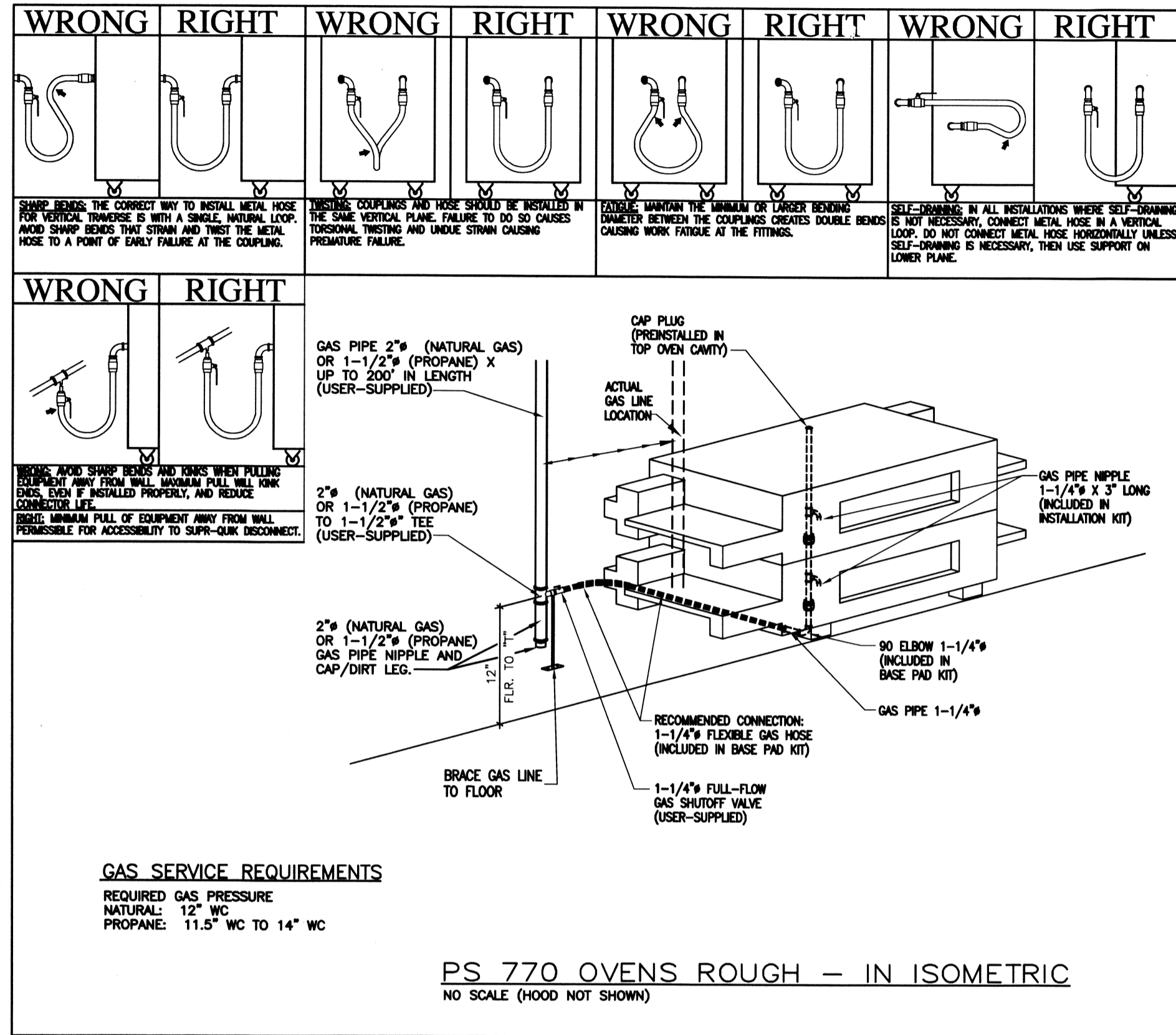
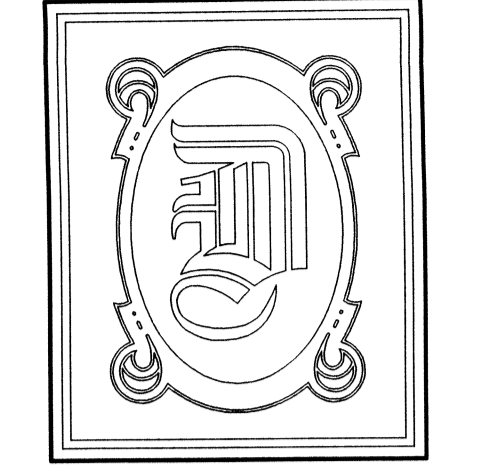
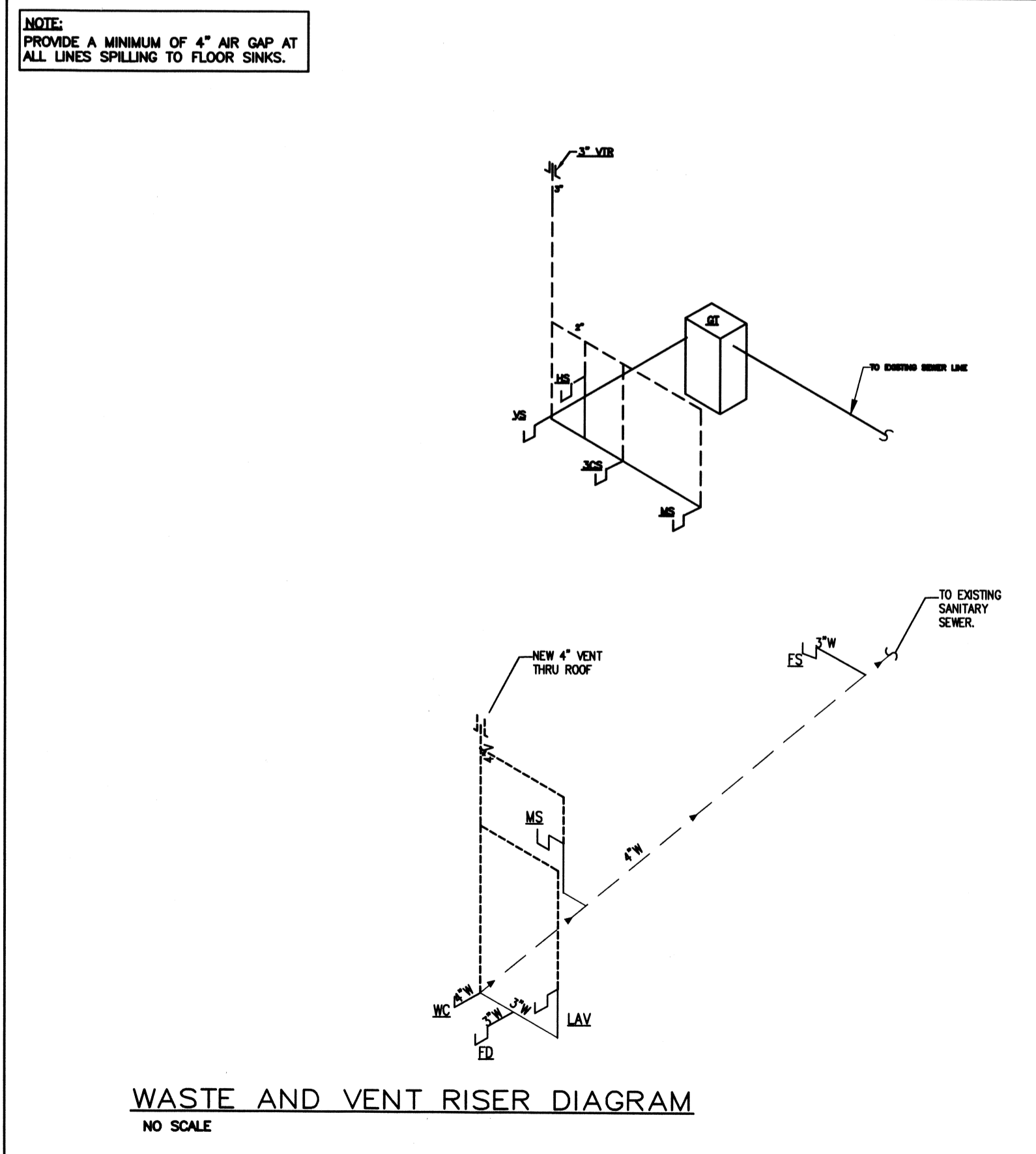
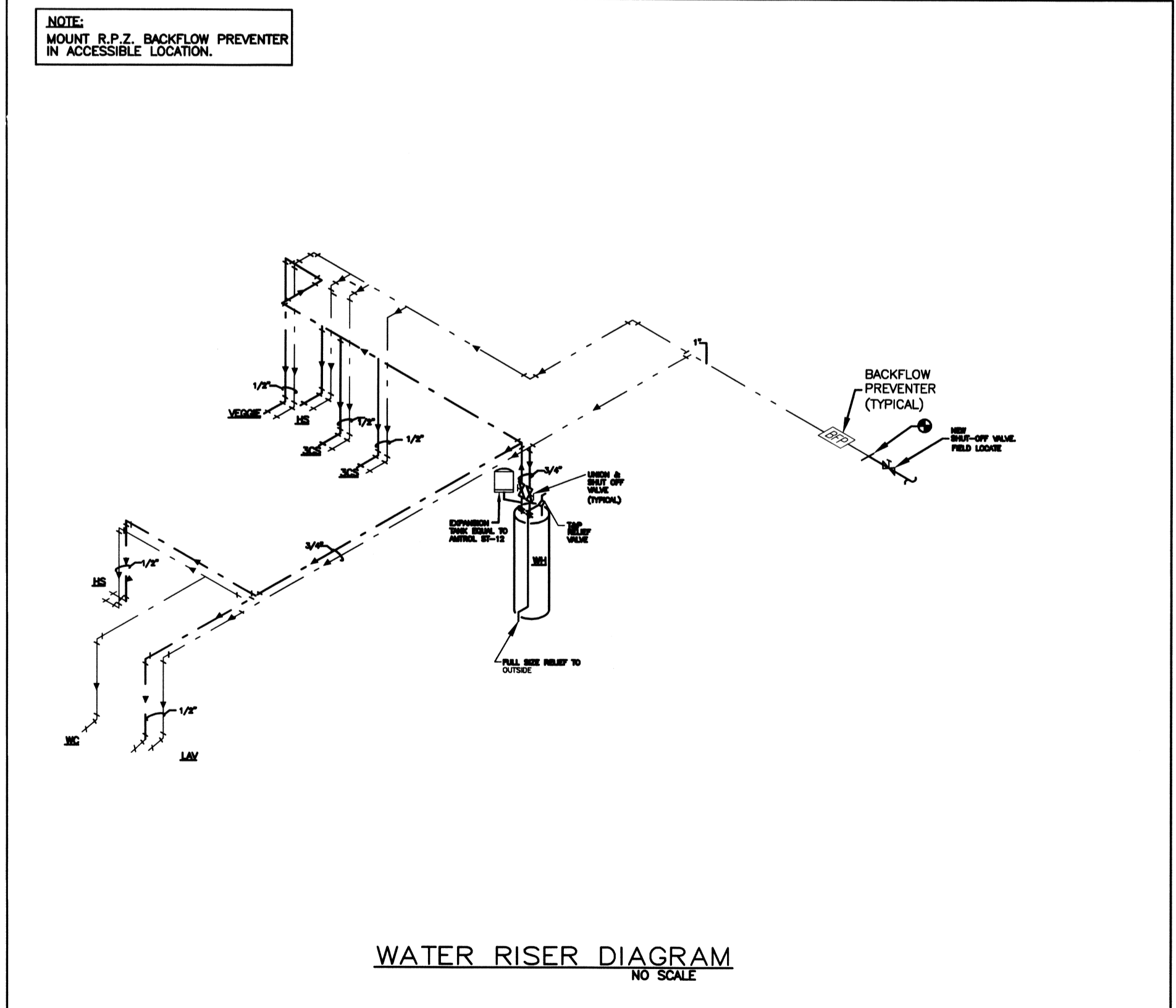


PLUMBING ABBREVIATION LEGEND

- ⊙ — AT
- ABV — ABOVE
- A.F.F. — ABOVE FINISH FLOOR
- C — WATER CLOSET
- CLG — CEILING
- CO — CLEANOUT
- CONN — CONNECT/CONNECTION
- CONT — CONTINUATION
- 3CS — THREE COMPARTMENT SINK
- 4CS — FOUR COMPARTMENT SINK
- CW — COLD WATER
- D — DISPOSAL
- DF — DRINKING FOUNTAIN
- DRWG — DRAWING
- DW — DISHWASHER
- EA — EACH
- EXT — EXTEND
- FAC — FURNACE/AIR COND.
- FCO — FLOOR CLEANOUT
- FD — FLOOR DRAIN
- FFE — FINISH FLOOR ELEVATION
- FIXT — FIXTURE
- FL — FLOOR
- FPWH — FREEZE PROOF WALL HYDRANT
- FS — FLOOR SINK
- GC — GENERAL CONTRACTOR
- GT — GREASE TRAP
- HB — HOSE BIBB
- HW — HOT WATER
- L — LAVATORY
- LOC — LOCATION
- MC — MECHANICAL CONTRACTOR
- MS — MOP SINK
- MTD — MOUNTED
- NG — NATURAL GAS
- PC — PLUMBING CONTRACTOR
- PME — PLUMBING/MECHANICAL/ELECTRICAL
- REF — REFER/REFERENCE
- RTU — ROOF TOP HVAC UNIT
- SS — SANITARY SEWER
- T&P — TEMPERATURE AND PRESSURE
- TP — TRAP PRIMER
- TYP — TYPICAL
- UR — URINAL
- V — VENT
- VS — VEGETABLE SINK
- VTR — VENT THROUGH ROOF
- W — WASTE
- W/ — WITH
- WB — WASHER BOX
- WCO — WALL CLEANOUT
- WH — WATER HEATER
- WM — WATER METER
- ⊕ — CONNECT NEW TO EXISTING
- NOTE: ALL ABBREVIATIONS MAY NOT APPLY



CALCULATIONS FOR SIZE OF GREASE TRAP WITHOUT GARBAGE GRINDER (APPENDIX M104.2.2):
 125 GALLON MINIMUM



DAMMON ENGINEERING, INC.

CHIEF ENGINEER
 EMMETT DAMMON, P.E.

CHIEF ARCHITECT
 ROBERT WILTSE

554 OLD SPANISH TRAIL
 SLIDELL, LA. 70458
 OFFICE: 985-649-5832
 FAX: 985-641-5950

WEBSITE:
 WWW.DAMMONENGINEERING.COM

EMAIL:
 DAMMONENG@BELLSOUTH.NET

ARCHITECTURE
 ENGINEERING
 STUDIES
 PLANNING
 INVESTIGATION
 EXPERT WITNESS

PAPA JOHN'S PIZZA TENANT BUILDOUT

3013 PONTCHARTRAIN DR.
 SLIDELL
 LOUISIANA

70458
 APPROVED [Signature] 8/11

PLUMBING DETAILS

[Signature]

REV:
 SCALE: AS NOTED
 JOB#: 2119
 DATE: 8/12/2011
 SHEET 10