



TRUE FOOD SERVICE EQUIPMENT, INC.

St. Charles Industrial Center • P.O. Box 970 • O'Fallon, Missouri 63366
(636)240-2400 • FAX (636)272-2408 • (800)325-6152 • www.truemfg.com

Project Name: _____

AIA #

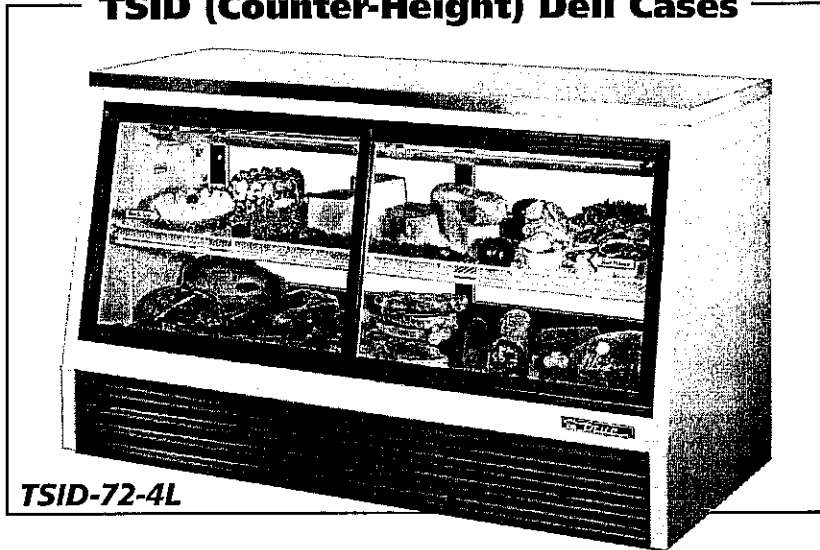
Location: _____

Item #: _____ Qty: _____

SIS #

Model #: _____

TSID (Counter-Height) Deli Cases



TSID-72-4L

Counter-Height Deli Cases

~~TSID-48-2-L, TSID-72-2-L,~~
~~TSID-48-4-L, TSID-72-4-L~~

True's TSID counter-height series features efficient, high-volume merchandising along with the perfect overall height for fast paced sales transactions.

SPECIFICATIONS / FEATURES

CABINET CONSTRUCTION:

- Durable, non-peel or chip white laminated vinyl exterior. Stainless steel top.
- White, vinyl coated aluminum interior cabinet liner with 300 series stainless steel floor with coved corners. Construction of liner in accordance with NSF standards.
- 2 1/2" leg levelers standard.
- Exclusive front and rear interior lighting. Safety shielded fluorescent lamps are low UV emitting.

DOORS:

- Extra large product viewing glass. Designed with a 13° slant to minimize reflection. Three panes of glass provide twice the insulation and minimize condensation. Doors extend full width of cabinet shell.
- Doors are positive seal, energy saving, self-closing.

INSULATION:

- Entire cabinet structure insulated using foamed-in-place CFC free polyurethane foam.

SHELVING:

- Adjustable vinyl coated wire shelf.
- Full height shelf support pilasters, with double oblong holes on 1/2" centers. Pilasters made of the same material as cabinet interior. Four (4) chrome plated, stainless steel shelf clips included for each shelf.

REFRIGERATION SYSTEM:

- Gravity coil refrigeration system using CFC free R134A refrigerant.
- Factory pre-engineered capillary tube system with oversized condenser and evaporator to reduce product pull down time and to consistently maintain ideal 38°F to 40°F interior cabinet temperature, capillary metering assures constant regulation of refrigerant flow.
- Evaporator - epoxy coated at the time of manufacture to eliminate the potential of corrosion.
- Automatic defrost time clock.

ELECTRICAL CHARACTERISTICS:

- Unit completely pre-wired at factory, and ready for final connection to a 115/60/1 phase - 15 amp dedicated outlet. A cord and plug set to be included.
- A sole use circuit is required.



115/60/1
NEMA-5-15R

Also available:

- **Standard-Height Deli Cases**
- **Double-Duty Deli Cases**

Remote cabinets available 14% off list (condensing units supplied by others). Consult factory technical service dept. for BTU information.

Specifications subject to change without notice.

Printed in U.S.A.



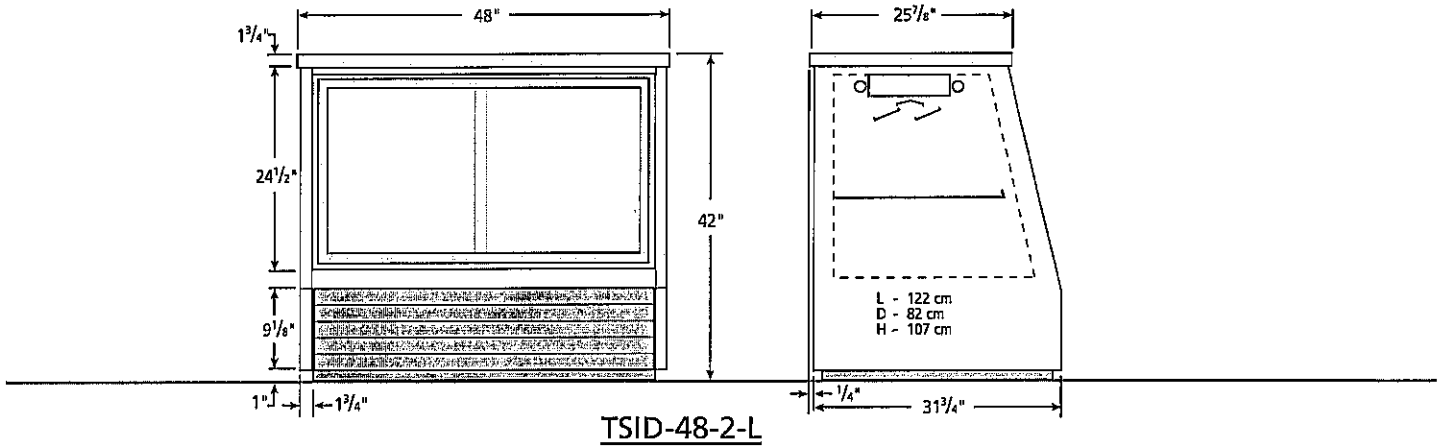
APPROVALS:

2/03

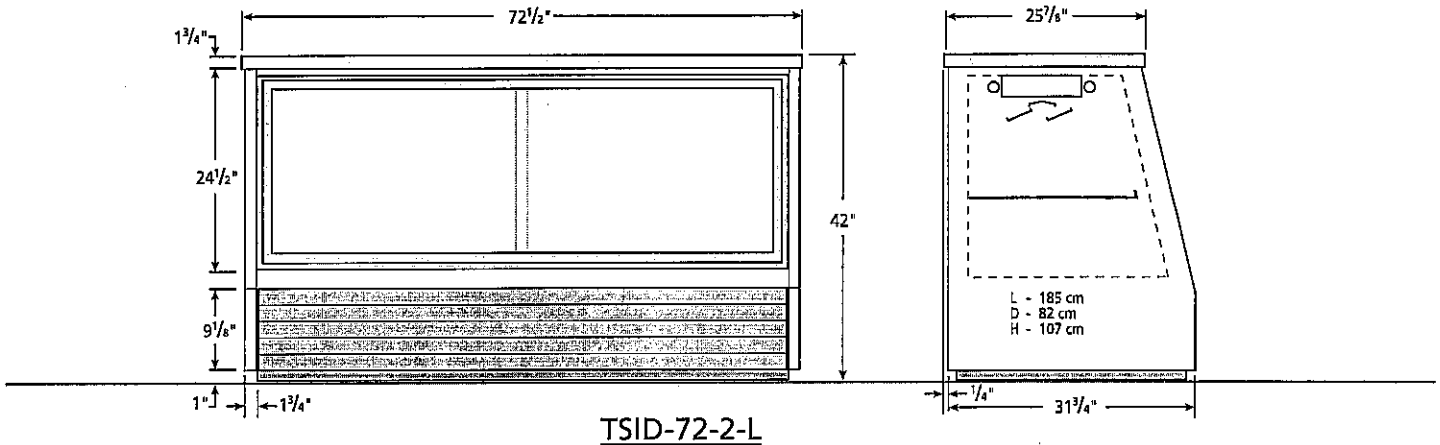
Exceptions:



TSID-Series: Counter-Height Deli Cases



TSID-48-2-L



TSID-72-2-L

Rough-In Data

Model	Rear Slide Doors	Capacity (Cu. Ft)	# of Shelves	Dimensions (inches)			HP	Volts	PH	Amps	NEMA Config.	Cord Length (feet)	Crated Weight
				L	D	H							
TSID-48-2-L	2	17	1	48	32	42	1/3	115	1	8.2	5-15	9	425
TSID-72-2-L	2	25	1	72 1/2	32	42	1/3	115	1	8.3	5-15	9	524

All models available with both front and rear slide doors.

Specifications subject to change without notice.

Standard Features

- Environmentally friendly (134A) gravity coil refrigeration system holds ideal 38°F to 40°F.
- Versatile and durable stainless steel top.
- Durable, white laminated vinyl exterior.
- Interior - NSF approved, white vinyl coated aluminum sides and top, coved corners and 300 series stainless steel floor.
- Exclusive front and rear interior lighting. Fluorescent lamps are low UV emitting.
- Exclusive front and rear interior lighting (safety shielded).
- Automatic defrost time clock.
- Adjustable vinyl coated wire shelves.
- Positive seal self-closing door preserves interior humidity.
- Triple pane insulated slide glass doors.
- Foamed-in-place high density polyurethane insulation (CFC free).
- Epoxy coated evaporator.
- 2 1/2" leg levelers standard equipment.
- Slide out compressor can be serviced easily and accessed by a single repairman.

- Self-contained system.
- 1 year parts & labor warranty (USA).
- 5 year compressor warranty.

Optional Accessories

- Available with stainless steel or optional seismic legs.
- Available with 2 1/2" or 4" diameter stem castors.
- Additional wire shelves.

	Model	Front	Right	Plan	3D
	TSID-48-2-L	TFQZ50E	TFQZ50S	TFQZ50P	TFQZ503
	TSID-48-4-L	TFQZ51E	TFQZ50S	TFQZ51P	TFQZ513
	TSID-72-2-L	TFQZ52E	TFQZ50S	TFQZ52P	TFQZ523
	TSID-72-4-L	TFQZ53E	TFQZ50S	TFQZ53P	TFQZ533

Clearance Required For Coolers (USA)		
Sides Inches/mm	Top Inches/mm	Rear Inches/mm
0/0	0/0	1/26



TRUE FOOD SERVICE EQUIPMENT