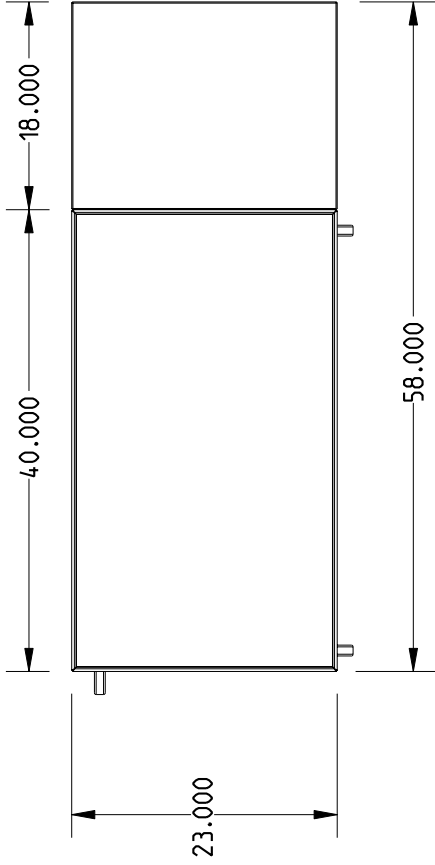


NOTICE: EAGLE GROUP CLAIMS PROPRIETY RIGHTS IN THE MATERIAL DISCLOSED ON THIS DRAWING. IT IS ISSUED IN CONFIDENCE FOR ENGINEERING INFORMATION ONLY AND MAY NOT BE REPRODUCED OR USED TO MANUFACTURE ANYTHING SHOWN HEREON WITHOUT DIRECT WRITTEN PERMISSION FROM EAGLE GROUP TO THE USER.

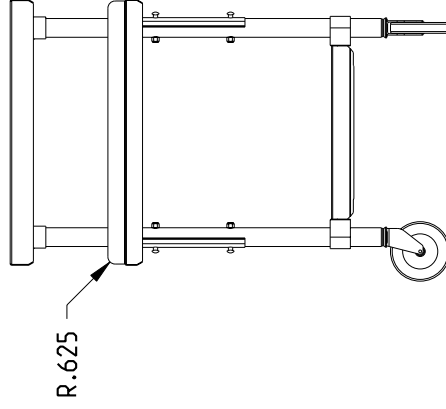
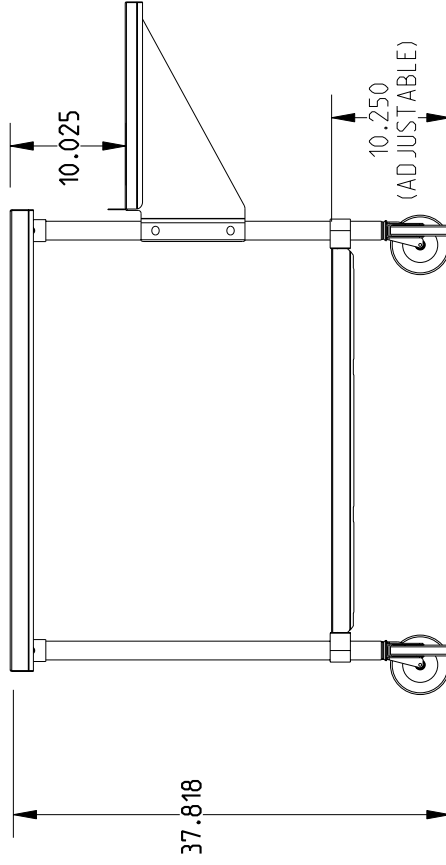
DWG: YTX26157-01A

M/N: YT2340-004-00



NOTES:

1. TOP 16/304 WITH 5/16" TALL MARINE EDGE.
2. SIDE SHELF 16/304 WITH SQUARE EDGE 3-SIDES AND 1-1/2" UPTURN ON 1-SIDE.
3. LEGS ARE 1-5/8" DIAMETER GALVANIZED STEEL.
4. ADJUSTABLE 18 GA GALVANIZED UNDERSHELF.
5. 4-EACH, 5" DIAMETER LOCKING CASTERS.
6. UNIT TO SHIP KNOCKED-DOWN.
7. PACK WITH 1-EACH YTX26157-30 HARDWARE PACK.



M/N: YT2340-004-00

REV	DESCRIPTION	DATE	BY	DWN:	DATE:	QUIZNO'S OVEN STAND
A	ADDED WELDING AND SEALING NOTES	6 JAN04	LKB	L. BABCOCK	07-NOV-03	
				MATL: AS NOTED		
				BLANK SIZE		
				SCALE= 0.063		
				DO NOT SCALE DRAWING		



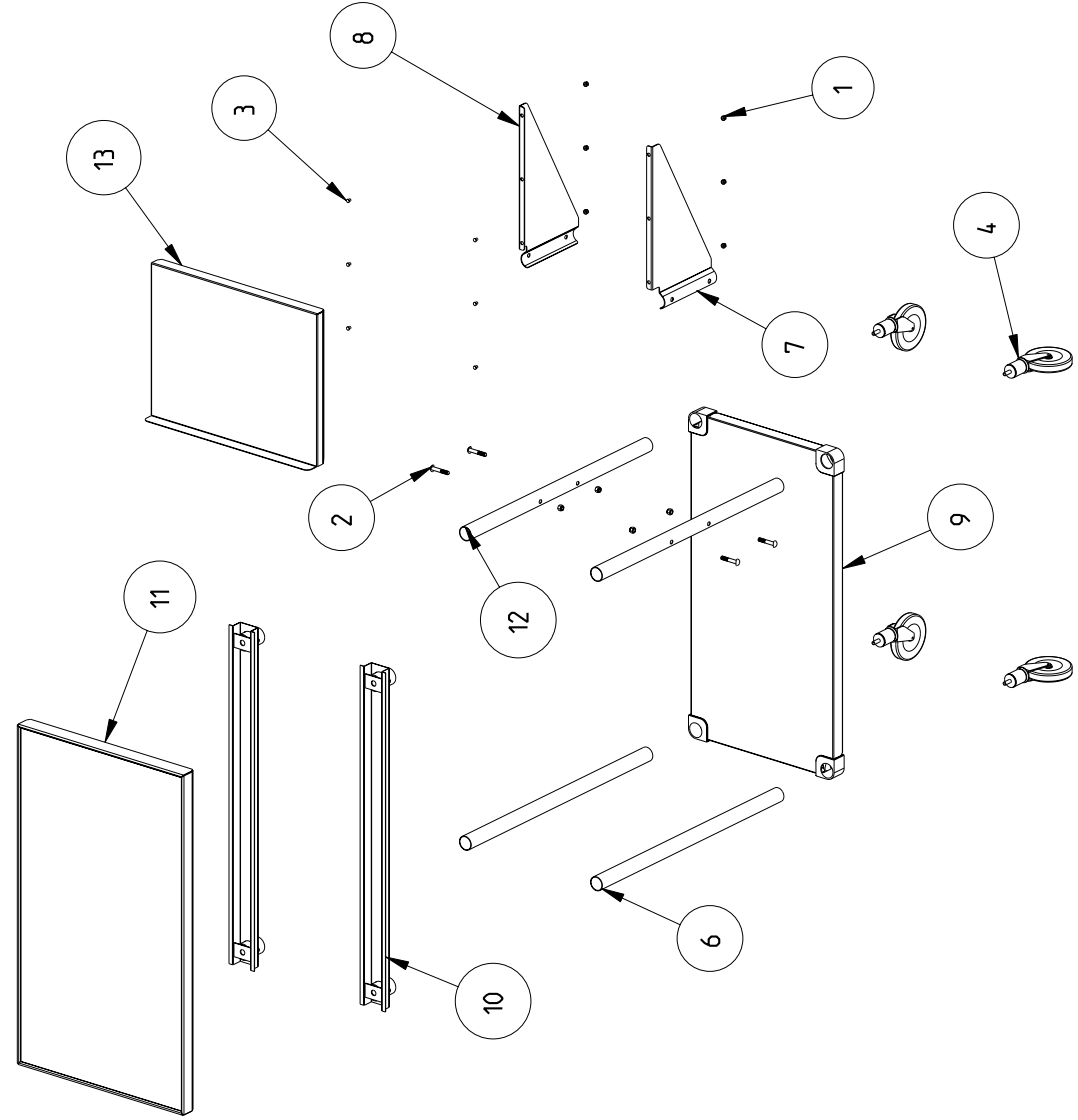
DWG: YTX26157-01A
SHEET 1 OF 3

DIMENSIONS ARE IN INCHES EXCEPT AS NOTED THIRD ANGLE PROJECTION TOL. ± 0.031" UNLESS NOTED

NOTICE: EAGLE GROUP CLAIMS PROPRIETY RIGHTS IN THE MATERIAL DISCLOSED ON THIS DRAWING. IT IS ISSUED IN CONFIDENCE FOR ENGINEERING INFORMATION ONLY AND MAY NOT BE REPRODUCED OR USED TO MANUFACTURE ANYTHING SHOWN HEREON WITHOUT DIRECT WRITTEN PERMISSION FROM EAGLE GROUP TO THE USER.

DWG: YTX26157-01A

M/N: YT2340-004-00



M/N: YT2340-004-00

IDX PART #	DESCRIPTION	QTY
1	NUT. LOCK 1/4-20 ZP	6
2	BOLT GUSSET 3/8-16-2 1/8	4
3	STUD WELD 1/4-20 x 3/8 SS	6
4	CASTER 5X1.25 W/B	4
5	NYLON LOCK NUT 3/8-16	4
6	LEG 1.625x31.625 GALV NO HOLE	2
7	LH SHELF BRKT FOR 1.625 TUBE	1
8	RH SHELF BRKT FOR 1.625 TUBE	1
9	ADJ U/S 2442 GALV	1
10	CHNL LEG GALV 40"	2
11	TABLETOP 23x40 OLD MARINE EDGE 16/304	1
12	LEG 1.625x31.625 GALV W/2 HOLES 13.063 FROM END	2
13	END SHELF 23x18 SQ EDGES 3- SIDES LH UPTURN 16/304	1

REV	DESCRIPTION	DATE	BY	DWN:	DATE:	QUIZNO'S OVEN STAND
A	ADDED WELDING AND SEALING NOTES	6 JAN 04	LKB	L. BABCOCK	07-NOV-03	
				MATL: AS NOTED		
				BLANK SIZE		
				SCALE= 0.050		DWG: YTX26157-01A
				DO NOT SCALE DRAWING		SHEET 2 OF 3

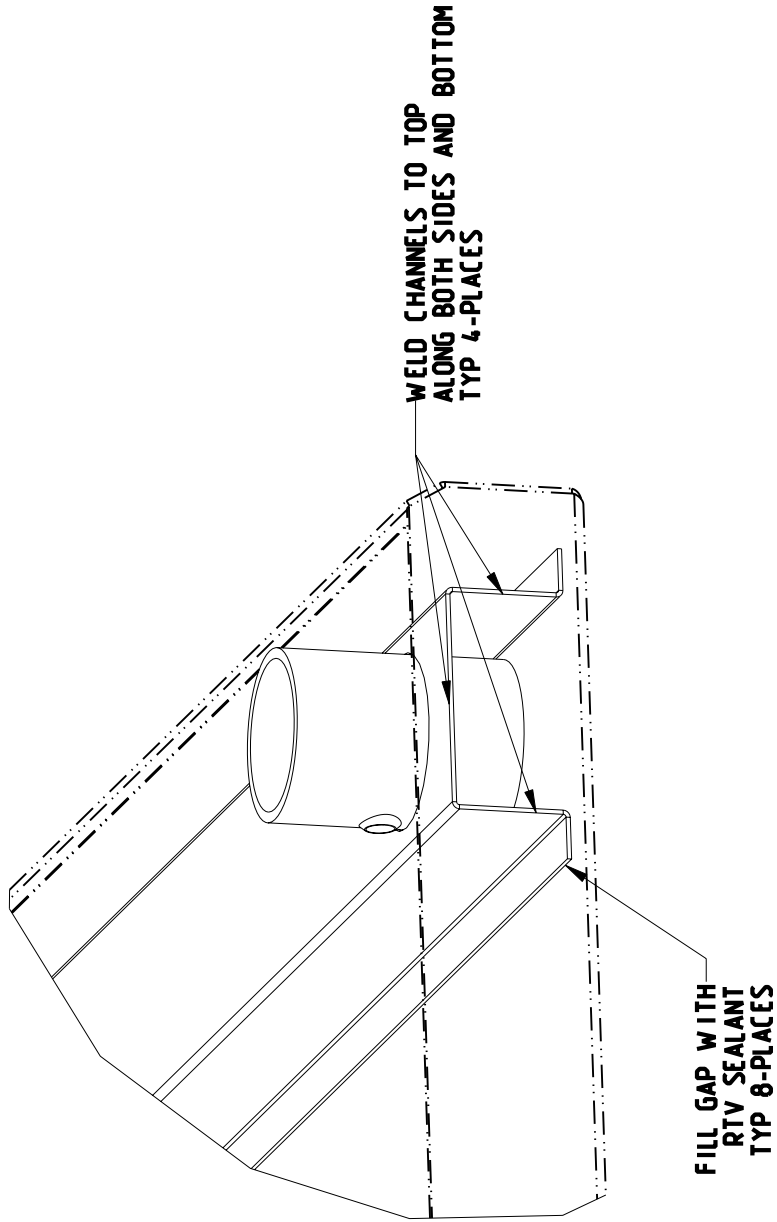


DIMENSIONS ARE IN INCHES EXCEPT AS NOTED THIRD ANGLE PROJECTION TOL. ± 0.031" UNLESS NOTED

NOTICE: EAGLE GROUP PROPRIETY RIGHTS IN THE MATERIAL DISCLOSED ON THIS DRAWING. IT IS ISSUED IN CONFIDENCE FOR ENGINEERING INFORMATION ONLY AND MAY NOT BE REPRODUCED OR USED TO MANUFACTURE ANYTHING SHOWN HEREON WITHOUT DIRECT WRITTEN PERMISSION FROM EAGLE GROUP TO THE USER.

DWG: YTX26157-01 A

M/N: YT2340-004-00



M/N: YT2340-004-00

REV A	DESCRIPTION ADDED WELDING AND SEALING NOTES	DATE 6JAN04	BY LKB	DWN: L. BABCOCK	DATE: 07-NOV-03	QUIZNO'S OVEN STAND
				MATL: AS NOTED		
				BLANK SIZE		DWG: YTX26157-01A
				SCALE: 0.500		
				DO NOT SCALE DRAWING		SHEET 3 OF 3



DIMENSIONS ARE IN INCHES EXCEPT AS NOTED THIRD ANGLE PROJECTION TOL. ± 0.031" UNLESS NOTED