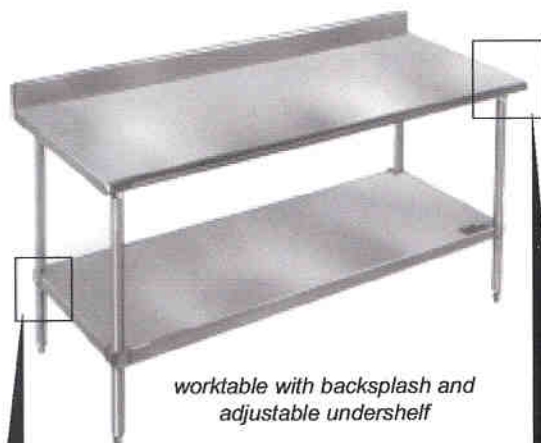


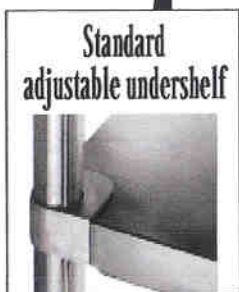
Foodservice Equipment • Material Handling, Healthcare & Cleanroom Equipment • Retail Display

Worktables

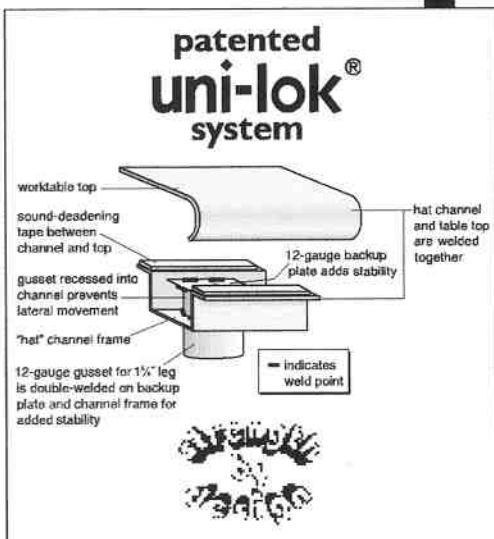
*with Backsplash and
Stainless Steel Base with
Adjustable Undershelf*



worktable with backsplash and adjustable undershelf



Standard adjustable undershelf



Item #: _____ Qty.: _____
Model #: _____ Project #: _____

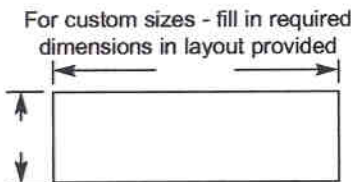
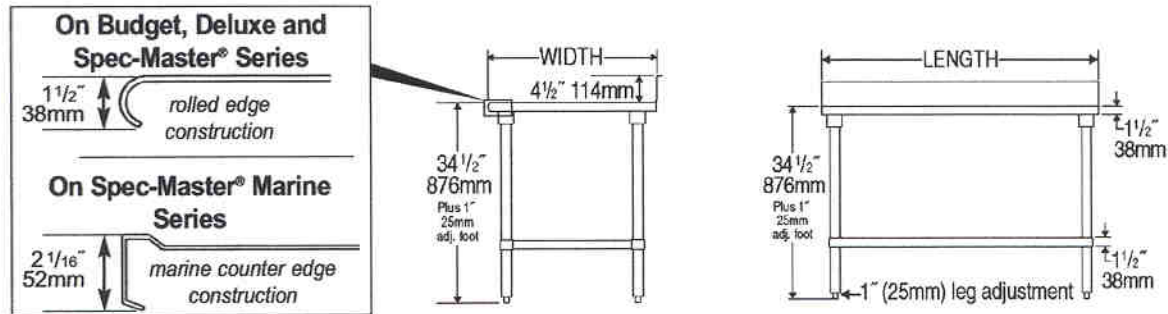
Optional Accessories	Model #	Qty.
Drawer		
Lock		
Casters		
Stainless steel bullet feet		
Overshelves		
Duplex receptacle		
Pot rack		
Sink		

- ◆ Budget, Deluxe, and Spec-Master® Series feature front with rolled down edge and sides turned down 90°.
- ◆ Spec-Master® Marine Series feature a marine counter edge on front and ends.
- ◆ Three grades of steel to choose from.
- ◆ Wide selection of sizes and styles.
- ◆ Full range of options and accessories.
- ◆ Easy assembly.
- ◆ Unsurpassed strength and performance.

Spec sheets available for viewing, printing or downloading from our online literature library at www.eaglegrp.com

For custom configuration or fabrication needs, contact our **SpecFAB Division**.
Phone: (302) 653-3000. FAX: (302) 653-3091.
E-mail: specfab@eaglegrp.com

Worktables with Backsplash and Stainless Steel Base with Adjustable Undershelf



Materials

	BUDGET	DELUXE	SPEC-MASTER®	SPEC-MASTER® MARINE
tabletop	16 gauge type 430 S/S	16 gauge type 304 S/S	14 gauge type 304 S/S	14 gauge type 304 S/S
undershelf	adjustable, heavy gauge type 430 S/S	adjustable, heavy gauge type 430 S/S	adjustable, heavy gauge type 304 S/S	adjustable, heavy gauge type 304 S/S
legs	1 5/8" (41mm) O.D. tubular 16 gauge type 304 S/S, galv. gussets, 1" (25mm) adj. hi-impact plastic feet	1 5/8" (41mm) O.D. tubular 16 gauge type 304 S/S, galv. gussets, 1" (25mm) adj. hi-impact plastic feet	1 5/8" (41mm) O.D. tubular 16 gauge type 304 S/S, S/S gussets, 1" (25mm) adj. S/S feet	1 5/8" (41mm) O.D. tubular 16 gauge type 304 S/S, S/S gussets, S/S hat channel, 1" (25mm) adj. S/S feet

Design Features

- ◆ Heavy gauge polished stainless steel top.
- ◆ Top reinforced with welded-on hat channel.
- ◆ Sound-deadened between top and channels.
- ◆ 4 1/2" (114mm)-high 90° backsplash with 1" (25mm) turn at 90°.
- ◆ Budget, Deluxe, and Spec-Master® worktables feature 1 1/2" (38mm)-diameter 180° rolled edge on front. Ends are turned down 90° providing for flush installations when required.
- ◆ Spec-Master® Marine worktables feature a marine counter edge on front and ends.
- ◆ Units 96" (2438mm) and longer come with six legs.
- ◆ "Strength by design" patented uni-lok® gusset system is recessed into channel, reducing lateral movement.
- ◆ Heavy gauge adjustable undershelf standard.

Optional Accessories

- ◆ Stainless steel covered drawer on roller slides.
- ◆ 4" or 5" (102 or 127mm)-diameter casters with or without brakes.
- ◆ Stainless steel bullet feet.
- ◆ Stainless steel gussets.
- ◆ Overshelves, pot racks, sinks, duplex receptacle.

Dimensions and weights

width x length in.	length mm	# of legs	weight		BUDGET model #	DELUXE model #	*SPEC-MASTER® model #	*SPEC-MASTER® MARINE model #
			lbs.	kg.				
24" x 24"	610 x 610	4	43	19.5	T2424SB-BS	T2424SEB-BS	T2424SE-BS	T2424SEM-BS
24" x 30"	610 x 762	4	48	21.8	T2430SB-BS	T2430SEB-BS	T2430SE-BS	T2430SEM-BS
24" x 36"	610 x 914	4	53	24.0	T2436SB-BS	T2436SEB-BS	T2436SE-BS	T2436SEM-BS
24" x 48"	610 x 1219	4	63	28.6	T2448SB-BS	T2448SEB-BS	T2448SE-BS	T2448SEM-BS
24" x 60"	610 x 1524	4	73	33.1	T2460SB-BS	T2460SEB-BS	T2460SE-BS	T2460SEM-BS
24" x 72"	610 x 1829	4	85	38.6	T2472SB-BS	T2472SEB-BS	T2472SE-BS	T2472SEM-BS
24" x 84"	610 x 2134	4	97	44.0	T2484SB-BS	T2484SEB-BS	T2484SE-BS	T2484SEM-BS
24" x 96"	610 x 2438	6	114	51.7	T2496SB-BS	T2496SEB-BS	T2496SE-BS	T2496SEM-BS
24" x 108"	610 x 2743	6	142	64.4	T24108SB-BS	T24108SEB-BS	T24108SE-BS	T24108SEM-BS
24" x 120"	610 x 3048	6	154	69.9	T24120SB-BS	T24120SEB-BS	T24120SE-BS	T24120SEM-BS
24" x 132"	610 x 3353	8	166	75.3	T24132SB-BS	T24132SEB-BS	T24132SE-BS	T24132SEM-BS
24" x 144"	610 x 3658	8	178	80.7	T24144SB-BS	T24144SEB-BS	T24144SE-BS	T24144SEM-BS
30" x 30"	762 x 762	4	50	22.7	T3030SB-BS	T3030SEB-BS	T3030SE-BS	T3030SEM-BS
30" x 36"	762 x 914	4	53	24.0	T3036SB-BS	T3036SEB-BS	T3036SE-BS	T3036SEM-BS
30" x 48"	762 x 1219	4	70	31.8	T3048SB-BS	T3048SEB-BS	T3048SE-BS	T3048SEM-BS
30" x 60"	762 x 1524	4	81	36.7	T3060SB-BS	T3060SEB-BS	T3060SE-BS	T3060SEM-BS
30" x 72"	762 x 1829	4	94	42.6	T3072SB-BS	T3072SEB-BS	T3072SE-BS	T3072SEM-BS
30" x 84"	762 x 2134	4	108	49.0	T3084SB-BS	T3084SEB-BS	T3084SE-BS	T3084SEM-BS
30" x 96"	762 x 2438	6	130	59.0	T3096SB-BS	T3096SEB-BS	T3096SE-BS	T3096SEM-BS
30" x 108"	762 x 2743	6	150	68.0	T30108SB-BS	T30108SEB-BS	T30108SE-BS	T30108SEM-BS
30" x 120"	762 x 3048	6	170	77.1	T30120SB-BS	T30120SEB-BS	T30120SE-BS	T30120SEM-BS
30" x 132"	762 x 3353	8	188	85.3	T30132SB-BS	T30132SEB-BS	T30132SE-BS	T30132SEM-BS
30" x 144"	762 x 3658	8	207	93.9	T30144SB-BS	T30144SEB-BS	T30144SE-BS	T30144SEM-BS
36" x 48"	914 x 1219	4	77	34.9	T3648SB-BS	T3648SEB-BS	T3648SE-BS	T3648SEM-BS
36" x 60"	914 x 1524	4	90	40.8	T3660SB-BS	T3660SEB-BS	T3660SE-BS	T3660SEM-BS
36" x 72"	914 x 1829	4	106	48.1	T3672SB-BS	T3672SEB-BS	T3672SE-BS	T3672SEM-BS
36" x 84"	914 x 2134	4	123	55.8	T3684SB-BS	T3684SEB-BS	T3684SE-BS	T3684SEM-BS
36" x 96"	914 x 2438	6	132	59.9	T3696SB-BS	T3696SEB-BS	T3696SE-BS	T3696SEM-BS
36" x 108"	914 x 2743	6	169	76.7	T36108SB-BS	T36108SEB-BS	T36108SE-BS	T36108SEM-BS
36" x 120"	914 x 3048	6	192	87.1	T36120SB-BS	T36120SEB-BS	T36120SE-BS	T36120SEM-BS
36" x 132"	914 x 3353	8	216	98.0	T36132SB-BS	T36132SEB-BS	T36132SE-BS	T36132SEM-BS
36" x 144"	914 x 3658	8	239	108.4	T36144SB-BS	T36144SEB-BS	T36144SE-BS	T36144SEM-BS

* On Spec-Master® and Spec-Master® Marine Series tables, increase stated weight by 10%.