

W. ARCHITECT, P.A.

4100 LEGNARY DRIVE, SUITE 240

DESTIN, FLORIDA 32541

850.865.0470

Member of American Institute of Architects

DBPR NBR AA 2500-1732

Copyright 2013 W. Architect, P.A.

Reprinted by permission of W. Architect, P.A.

REPRODUCED FROM THESE DRAWINGS AND/OR SPECIFICATIONS WITHOUT THE WRITTEN CONSENT OF W. ARCHITECT, P.A. ANY REVISIONS TO THESE DRAWINGS AND/OR SPECIFICATIONS SHALL BE MADE BY A REVISION TO THESE DRAWINGS AND/OR SPECIFICATIONS. THE CONTRACTOR SHALL BE RESPONSIBLE FOR VERIFYING THE ACCURACY OF ALL INFORMATION AND DATA PROVIDED HEREON. THE CONTRACTOR SHALL BE RESPONSIBLE FOR OBTAINING ALL NECESSARY PERMITS AND APPROVALS FROM THE APPROPRIATE AGENCIES. THE CONTRACTOR SHALL BE RESPONSIBLE FOR OBTAINING ALL NECESSARY PERMITS AND APPROVALS FROM THE APPROPRIATE AGENCIES. THE CONTRACTOR SHALL BE RESPONSIBLE FOR OBTAINING ALL NECESSARY PERMITS AND APPROVALS FROM THE APPROPRIATE AGENCIES.

PROJECT: STIX HIBACHI RESTAURANT  
CAMELLIA SQUARE  
SLIDELL, LOUISIANA  
W. ANDREW POPE  
LOUISIANA LICENSE 30653



ISSUED FOR:  SPECIMENTS  DESIGN DEVELOPMENT  60% REVIEW  100% CONTRACT DOCUMENTS  DEVELOPMENT ORDER  PRICING  BIDDING  PERMIT  CONSTRUCTION  
DATE: \_\_\_\_\_  
NO. OF PAGES: \_\_\_\_\_

SHEET TITLE: MECHANICAL DETAILS & GENERAL NOTES

REVISIONS: DATE: MAY 30 2013

Table with 2 columns: REVISIONS, REMARKS

M-2 SHEET NO.

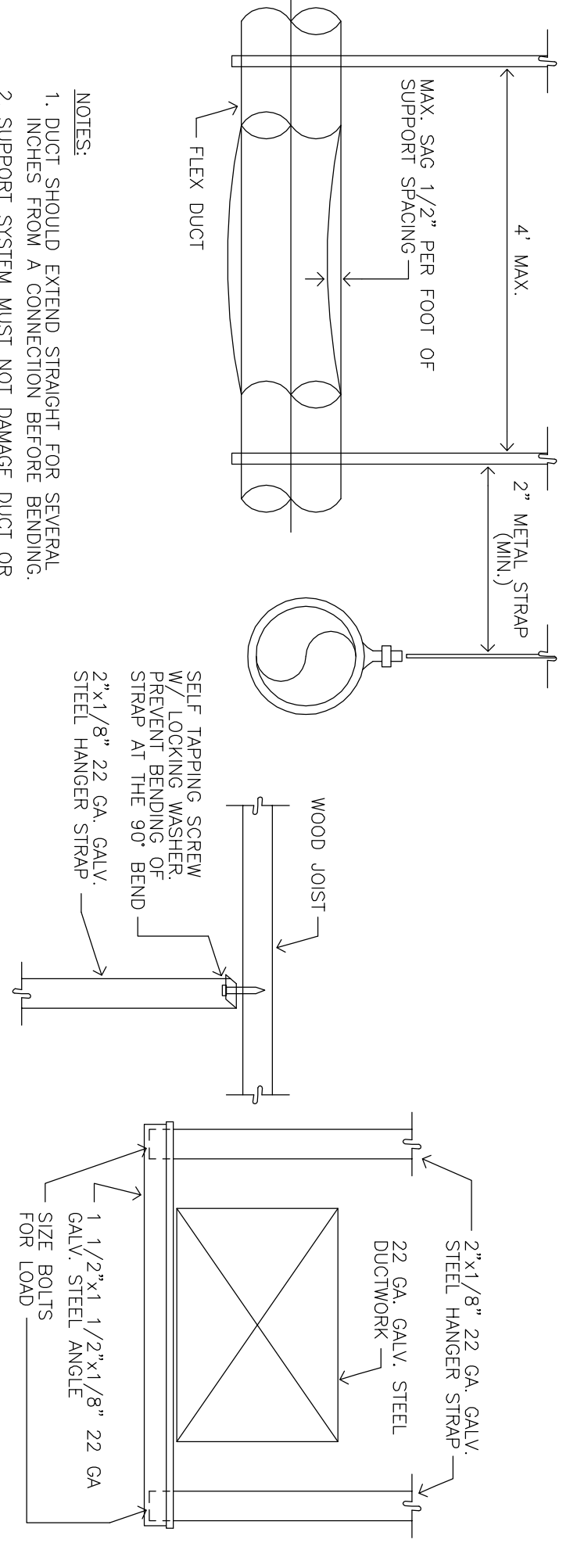
GENERAL NOTES – HEATING, VENTILATION AND AIR CONDITIONING

- I. DESCRIPTION OF WORK
A. THE EXTEND TO THE MECHANICAL WORK IS INDICATED ON THE DRAWINGS OR IN THE BID MANUAL.
B. RELECTRICAL CONTROL WIRING, ETC. EXCEPT CONTROL WIRING AS SPECIFICALLY DEFINED ABOVE. CONTRACTOR SHALL BE RESPONSIBLE FOR SUPERVISION OF ALL WIRING OF EQUIPMENT AND SHALL FURNISH ALL NECESSARY DIAGRAMS, INCLUDING CONTROL WIRING DIAGRAMS, MOUNT ALL CONTROL DEVICES.
II. SUBMITTALS
A. MAINTENANCE MANUALS AND INSTRUCTIONS: FURNISH TWO (2) SETS OF COMPLETE OPERATING INSTRUCTIONS COVERING ENTIRE HEATING, VENTILATING AND AIR CONDITIONING SYSTEM. INCLUDE A COPY OF THE CONTROL DIAGRAMS AND A COMPLETE DESCRIPTION OF THE OPERATION OF THE CONTROL SYSTEM. INSTRUCT OWNER'S DESIGNATED REPRESENTATIVE AS TO PROPER OPERATION AND CARE OF SYSTEM.
III. SYSTEM REQUIREMENTS
A. NOISE AND VIBRATION: EQUIPMENT SHALL OPERATE QUIETLY AND THE DESIGN OF THE SUPPORTS SHALL BE SUCH THAT THE OPERATION OF THE EQUIPMENT SHALL NOT CAUSE EXCESSIVE VIBRATION OR NOISE TO THE EQUIPMENT, NOR CAUSE DIRECTLY OR INDIRECTLY VIBRATION OR OBJECTIONABLE NOISE IN ANY OTHER PORTION OF THE BUILDING AND/OR IN THE BUILDING STRUCTURE ITSELF.
B. FOUNDATIONS: FURNISH ALL FOUNDATIONS FOR EQUIPMENT COVERED IN THE SPECIFICATIONS, AS INDICATED ON THE DRAWINGS. EXTERIOR SYSTEMS TO MEET ALL LOCAL WIND LOADINGS.
IV. WARRANTY
A. FURNISH A FIVE (5) YEAR WARRANTY ON ALL COMPRESSORS AND A ONE (1) YEAR SERVICE AND GUARANTEE ON ALL CONTROLS, EQUIPMENT AND MATERIALS.
V. MECHANICAL SUBMITTALS
A. SUBMITTALS ARE REQUIRED ON THE FOLLOWING ITEMS AND THEY MUST BE SELECTED FROM ONE OF THE MANUFACTURERS LISTED:
A.C. UNITS – TRANE, AAO, CARRIER
HOODS – CAPTIVE-AIRE OR EQUAL IF REQUIRED (OWNER FURNISHED)
FANS – CAPTIVE-AIRE, GREENECK
TITUS, AIR GUIDE, METAL AIRE
SPRINKLERS & FITTINGS – UNITED McGill SINGLE SHALL GALVANIZED UNI-SEAL
FLEXIBLE DUCT & FITTINGS – GENFLEX, THERMATEX
B. SUBMITTALS ARE NOT REQUIRED ON THE FOLLOWING ITEMS AND NO SUBSTITUTIONS ARE ALLOWED
THERMOSTATS – STANDARD NON-PROGRAMMABLE

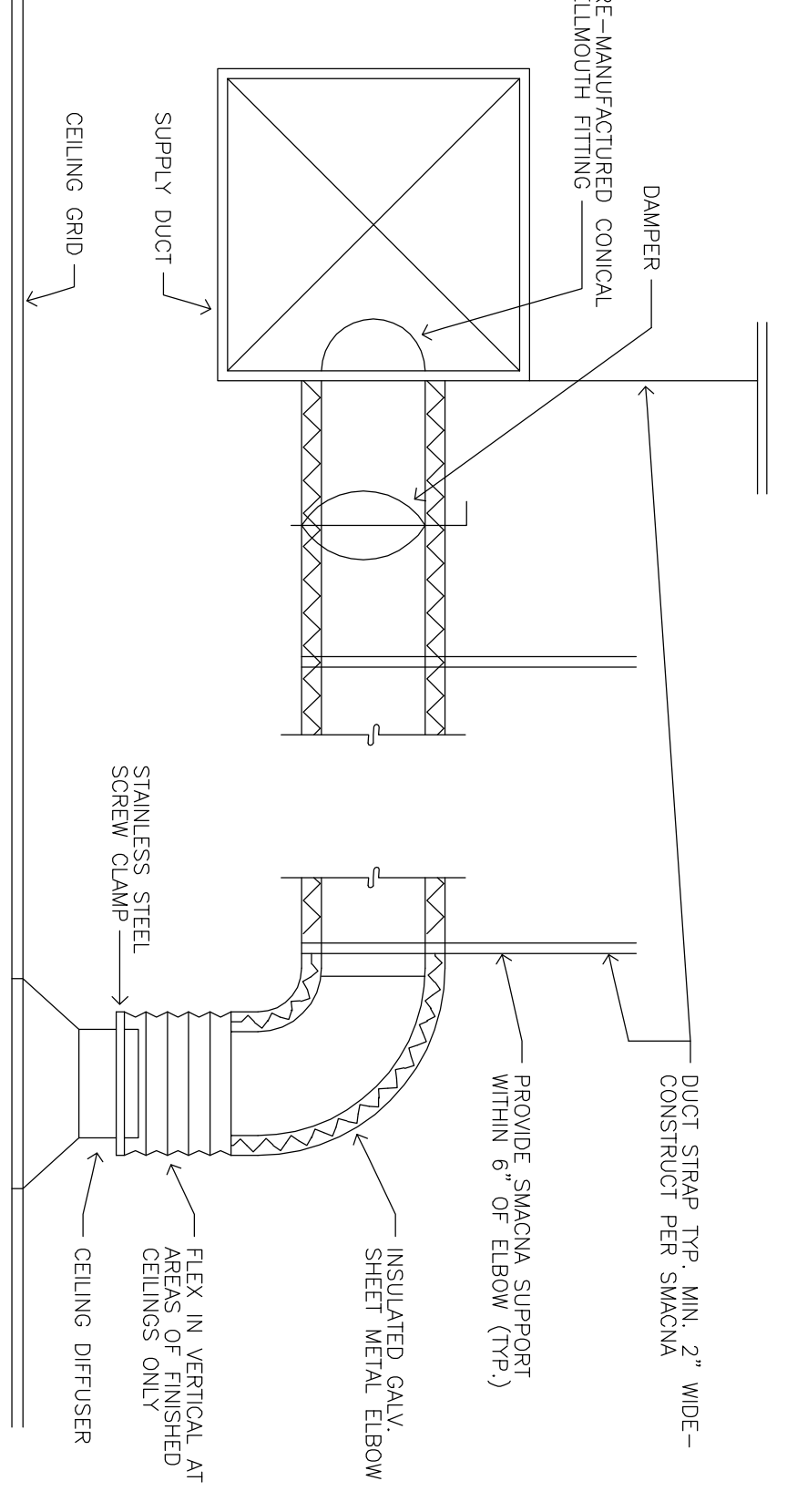
PRODUCTS

- I. LOW PRESSURE DUCTWORK
A. SUPPLY & RETURN AIR DUCTWORK AS INDICATED ON PLAN SHALL BE EXTERNALLY INSULATED GALVANIZED SHEET METAL (FIBERGLASS NOT PERMITTED), GAUGES, REINFORCING AND JOINING CONNECTIONS SHALL BE IN STRICT ACCORDANCE WITH SMACNA LOW VELOCITY DUCT STANDARDS LATEST EDITION. FITTINGS UNDER PART 8 SHALL BE VIBRASS PROVENL. PROVIDE FLEXIBLE DUCTWORK TO BE HUNG WITH 2" THICK X 1/2" DENSITY DUCT WRAP INSULATION SHALL BE 2" THICK X 1/2" DENSITY DUCT WRAP.
B. ALL ROUND DUCTWORK EXPOSED IN FINISHED SPACES SHALL BE UNITED LINER AND 1" THICK FIBERGLASS INSULATION.
C. ALL EXPOSED DUCTWORK AND GRILLES SHALL BE PAINTED A COLOR AS SELECTED BY THE ARCHITECT. SHEET METAL JOINTS WITH SILICON SEALER.
D. ALL ROUND DUCTWORK SHALL BE EXTERNALLY INSULATED WITH 2" THICK X 1/2" DENSITY DUCT WRAP.
E. ALL DUCT SIZES INDICATED ON DRAWINGS ARE CLEAR INSIDE DIMENSIONS.
F. ALL DUCTWORK TO BE HUNG WITH GALVANIZED STRAP HANGERS 16 GAUGE X 2" WITH A MAXIMUM SPAACING OF 10'-0" O.C.
G. ALL ELBOWS WILL BE SQUARE TURNS WITH DOUBLE VANE TURNING VANES EXCEPT WHERE SHOWN ON THE DRAWINGS.
H. VOLUME DAMPERS WITH QUADRANTS OR SPUNTERS WITH HINGE AND ROD THROUGH SIDE OF DUCT WITH SET SCREW. VOLUME DAMPER HANDLES SHALL BE INSTALLED ON THE BOTTOM OF THE SPIN-IN FITTING AND SHALL HAVE RING SET IN FULL OPEN POSITION.
I. ALL FLEXIBLE DUCTS SHALL BE SUPPORTED EVERY 4'-0" WITH 2" WIDE GALV. STEEL BRACKETS. MINIMUM ONE PER EACH SECTION OF FLEXIBLE DUCT. MAXIMUM LENGTH OF FLEX DUCT SHALL BE 10'-0".
II. MANUAL DAMPERS
A. PROVIDE MANUAL LOUVER DAMPERS WHERE SHOWN ON THE PLANS AND WHERE NECESSARY FOR THE PROPER REGULATIONS OF THE BUILDING'S SYSTEM AND SO LOCATE AS TO BE ACCESSIBLE AFTER THE BUILDING IS OCCUPIED. DAMPERS SHALL BE AIR BALANCE NO. AC116. OTHER APPROVED METHOD.

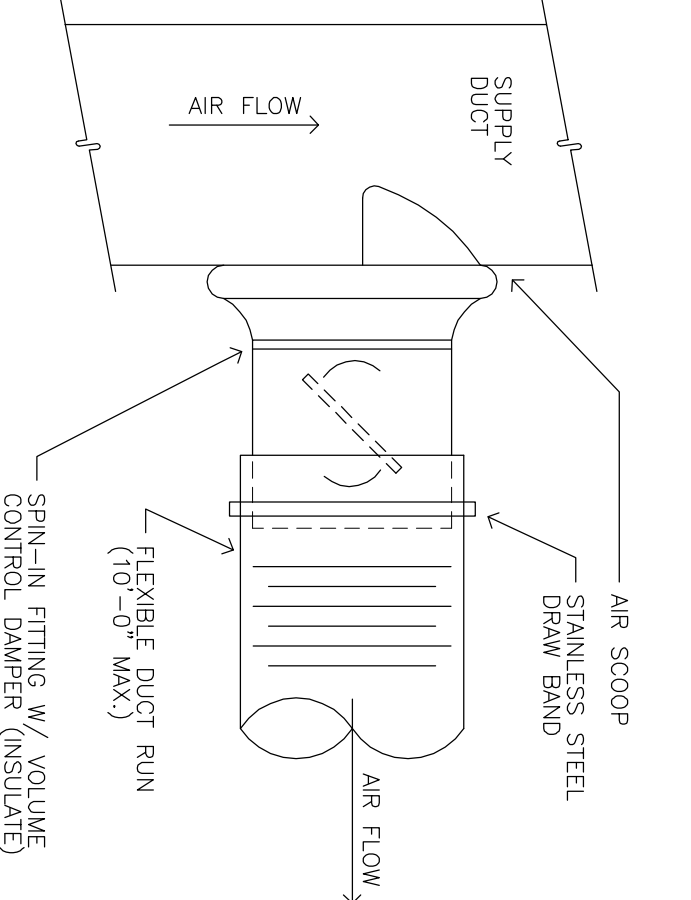
NOTE: ALL AIR HANDLER UNITS ARE EXISTING. THE GENERAL CONTRACTOR (G.C.) SHOULD VERIFY INSTALLATION LOCATION AND SIZE. THE G.C. SHOULD ALSO VERIFY THE UNIT IS OPERATIONAL.



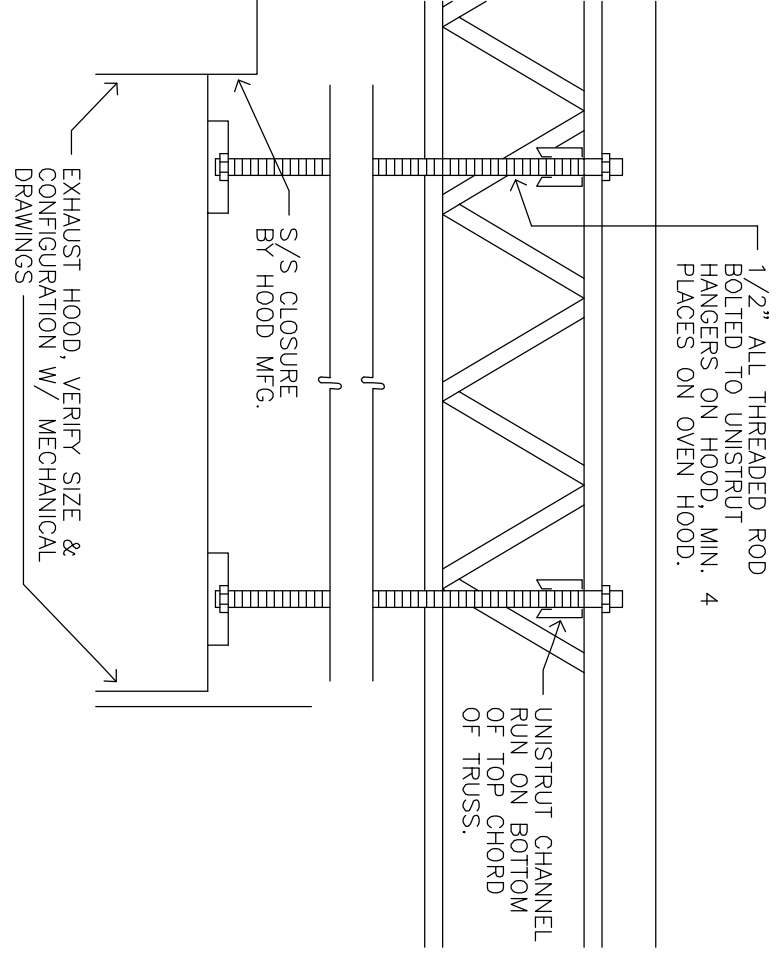
TYPICAL DUCT HANGING DETAIL SCALE: NONE UPPER ATTACHMENT - TYP. TRAPEZE HANGER LOWER ATTACHMENT - TYP.



DUCT CONNECTION DETAIL SCALE: NONE



FLEX DUCT CONN. DETAIL SCALE: NONE



HOOD HANGING DETAIL SCALE: NONE